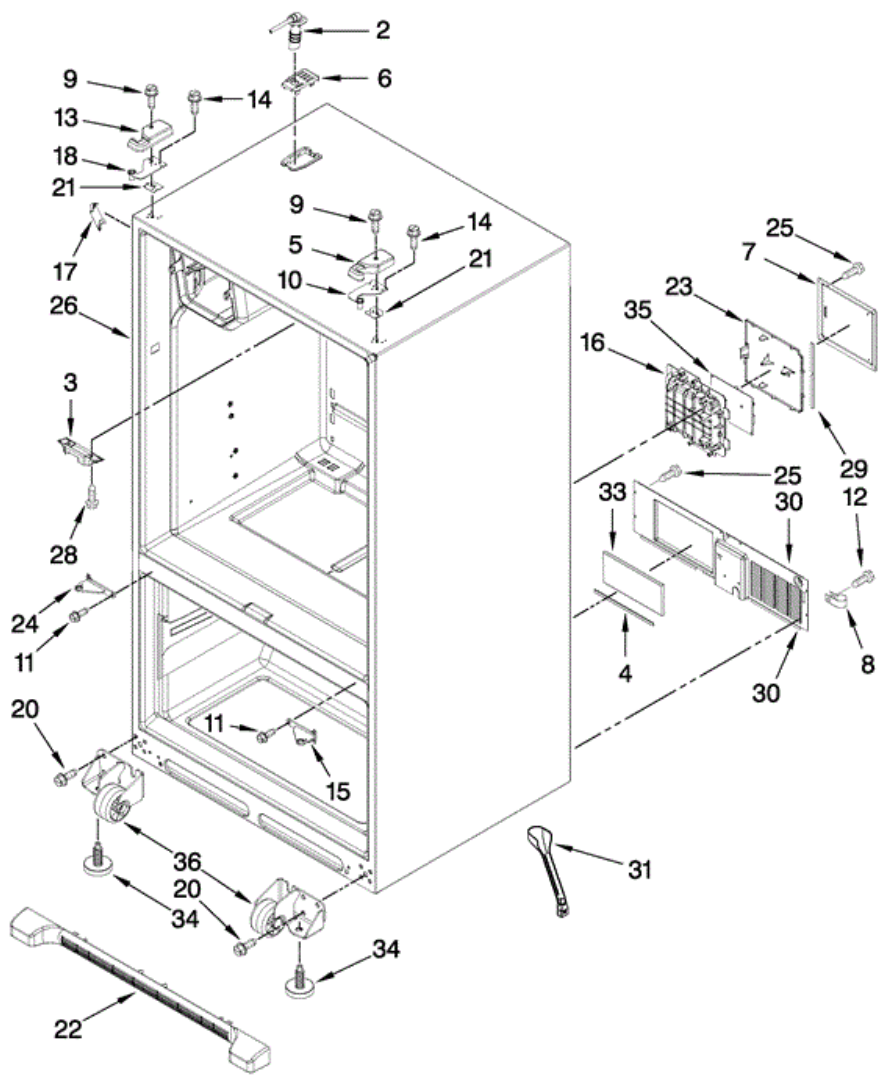


**7MI2569VEM4 CABINET**

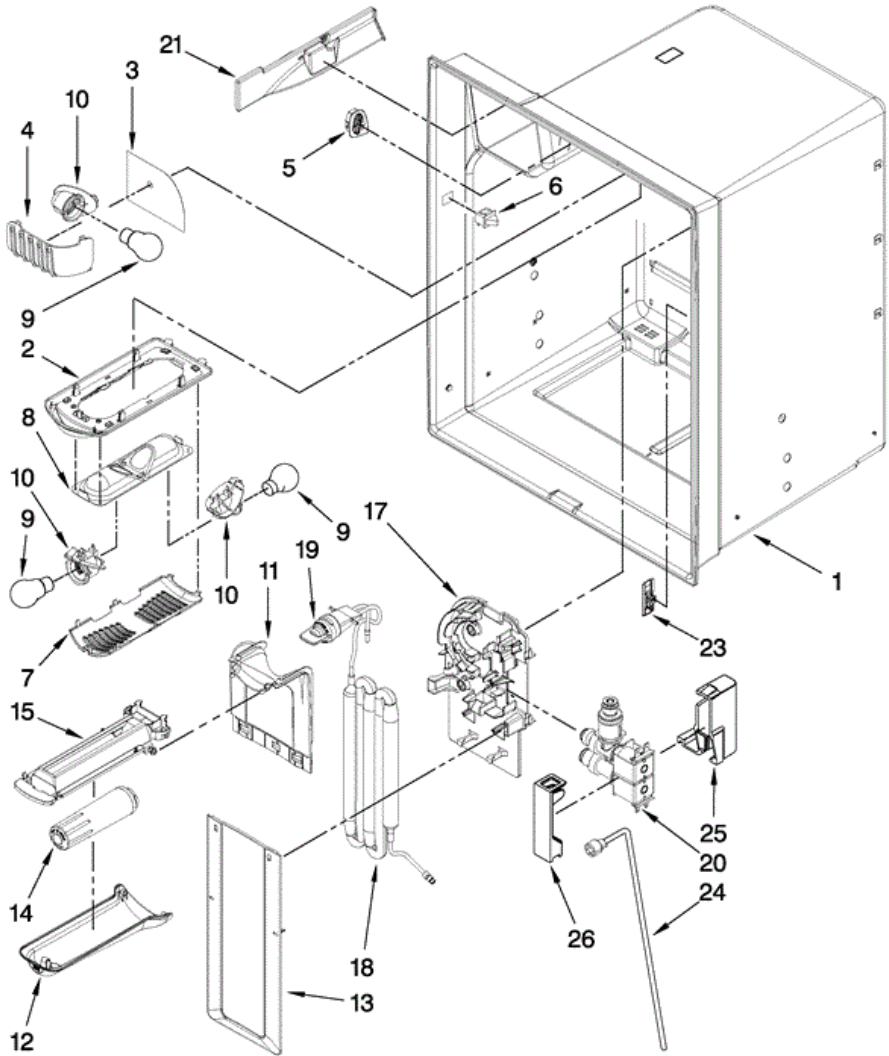




## 7MI2569VEM4 CABINET

2	12961401	TUBE W/WATERLINE, FILL-IM
3	12698403	BLOCK, PIVOT
4	B5759655	GASKET, MC BACK
5	12962302AP	COVER, TOP HINGE (RIGHT) (APOLLO GREY)
6	12981401AP	COVER, FILL TUBE (APOLLO GREY)
7	12961602	COVER, CONTROL BOX
8	M0108107	CLAMP-TUBE
9	12992602	SCREW, HINGE COVER
10	12963205ED	HINGE, TOP RIGHT
11	12992201	SCREW, CENTER (HINGE)
12	12990511	SCREW (3)
13	12962301AP	COVER, TOP HINGE (LEFT) (APOLLO GREY)
14	12992403	SCREW, TOP HINGE
15	13000002AP	HINGE, CENTER (RT) (APOLLO GREY)
16	12957601	BOX, HV CONTROL
17	12587703AP	COVER, CORNER (2) (APOLLO GREY)
18	12963204ED	HINGE, TOP LEFT
20	12991302	SCREW (8)
21	12999501	SHIM, TOP HINGE (LEFT)
21	12999502	SHIM, TOP HINGE (RIGHT)
22	W10244558	GRILLE, TOE (APOLLO GREY)
23	12957701	LID, HV CONTROL
24	13000001AP	HINGE, CENTER (LT) (APOLLO GREY)
25	12990702	SCREW, COVER
28	12990302	SCREW, BLOCK
29	12957801	GASKET, HV CONTROL
30	W10270394	COVER, MC BACK
31	W10210988	TUBE, DRAIN
33	12820505	FIBER, ACOUSTIC
34	W10141622	BRAKE, FOOT
35	W10312695	BOARD, HV CONTROL
36	W10275849	ROLLER ASSEMBLY (RIGHT)
36	W10275850	ROLLER ASSEMBLY (LEFT)

**7MI2569VEM4 REFRIGERATOR LINER**

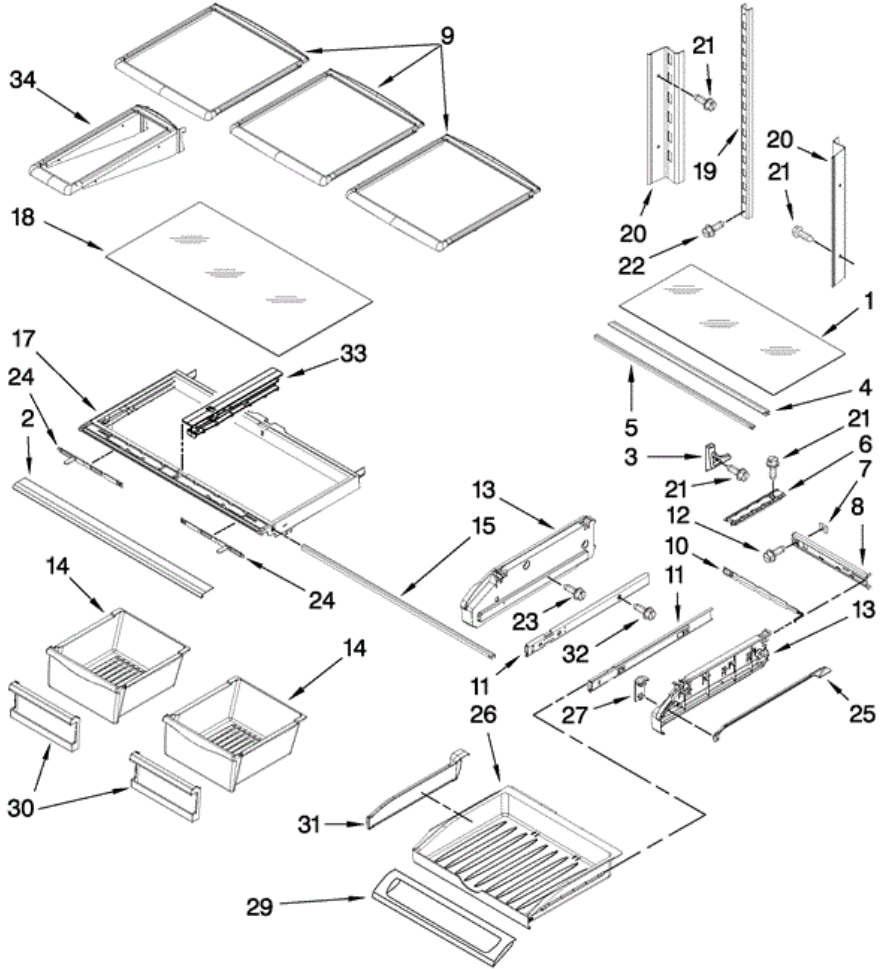




## 7MI2569VEM4 REFRIGERATOR LINER

1	N/P	LINER (NOT A SERVICEABLE PART)
2	12905803	MODULE, LIGHT
3	12691605	FOIL, LIGHT
4	12921801	COVER, LIGHT
5	13008201	GRILLE, AIR
6	12466103	SWITCH, LIGHT (2)
7	12905902	COVER, LIGHT
8	12806601V	HOUSING, LIGHT
9	2255743	BULB, LIGHT
10	12570701	SOCKET, LIGHT
11	12960101	COVER, WATER TANK (UPPER)
12	12960301	LID, WATER FILTER
13	12960001	COVER, WATER TANK(LOWER)
14	UKF8001AXX	FILTER, WATER
15	12955901	BRACKET, FILTER BASE
17	12956001	BRACKET, WATER TANK & VALVE
18	W10273376	WATER TANK & HEAD ASSEMBLY
19	12664501SP	PLUG, BYPASS
20	W10312696	VALVE, WATER INLET
21	W10309869	COVER, ICE BOX HARNESS
23	12987301	COVER, CHILLER VENT
24	W10328202	WATERLINE, CABINET (W/NUT)
25	W10118193	ENCLOSURE, WATER VALVE CONNECTOR
26	W10118194	LID, ENCLOSURE

**7MI2569VEM4 SHELF**

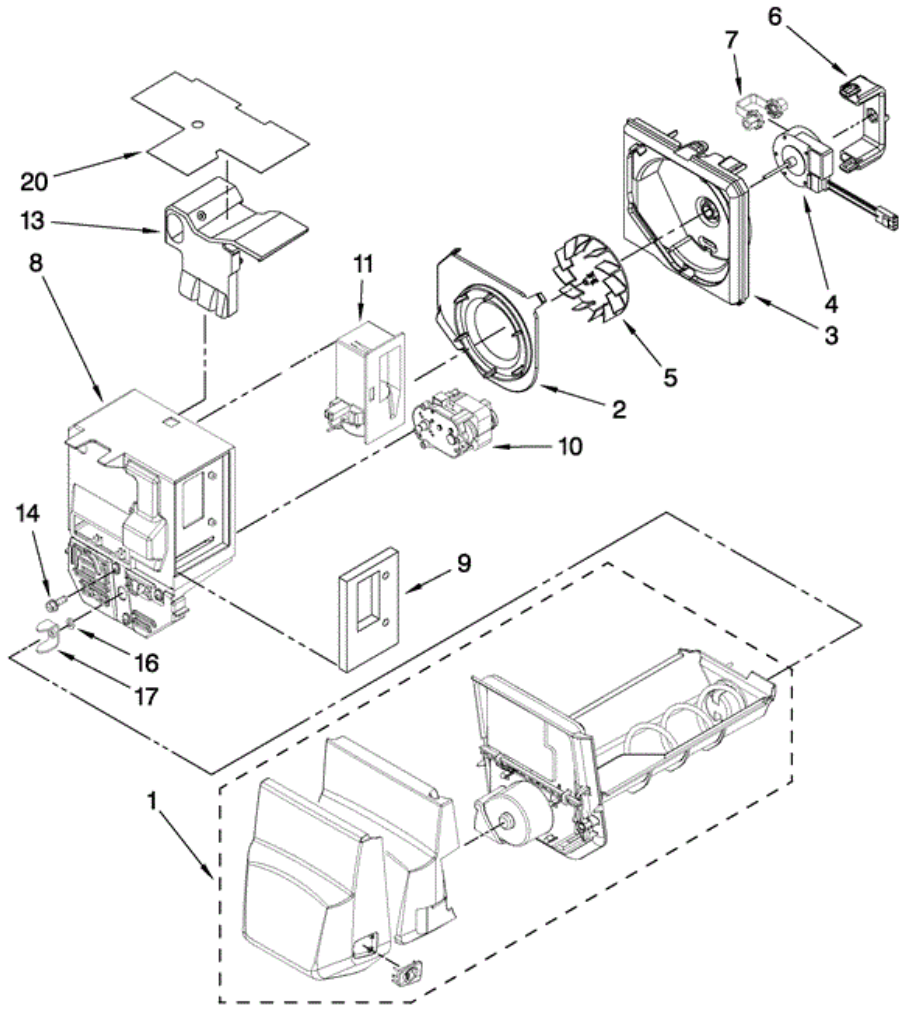




**7MI2569VEM4 SHELF**

1	12204824	GLASS, PANTRY
2	W10231345	TRIM, CRISPER
3	13062602	SUPPORT,CRISPER(2)
4	12655902SP	SUPPORT, PANTRY(2)
5	12227305WD	BRACE, PANTRY (2)
6	12531901	TRACK, PANTRY
7	12656901	GASKET, PANTRY
8	12656202	HOUSING, CONTROL
9	12883507N	SHELF, GLIDE (3)
10	12655402	SLIDE, TEMPERATURE
11	W10235370	GLIDE, DRAWER (2)
12	12990513	SCREW
13	12656019	ENDCAP, PANTRY (RIGHT)
13	12656106	ENDCAP, PANTRY (LEFT)
14	12804601SP	PAN, CRISPER (2)
15	12642303WD	BRACE, CRISPER
17	W10329866	FRAME, CRISPER
18	12204830	GLASS, CRISPER COVER
19	W10273464	LADDER, CENTER
20	W10251965	LADDER, SIDE (RIGHT)
20	W10251966	LADDER, SIDE (LEFT)
21	12990513	SCREW
23	12990512	SCREW
24	12530805SP	SLIDE, HUMIDITY CONTROL
25	12655304	BAR, TEMPERATURE CONTROL
26	12731302	DRAWER, PANTRY
27	12655204V	KNOB, TEMPERATURE CONTROL CRISPER FRAME
29	12656815	LID, PANTRY
30	12802602SP	FRONT-CRISPER
31	12731901	DIVIDER, PANTRY
32	12990504	SCREW
33	W10326469	RAIL-CENTER-CRSPR.
34	12885501	SHELF-MINI

**7MI2569VEM4 MOTOR & ICE  
 CONTAINER**



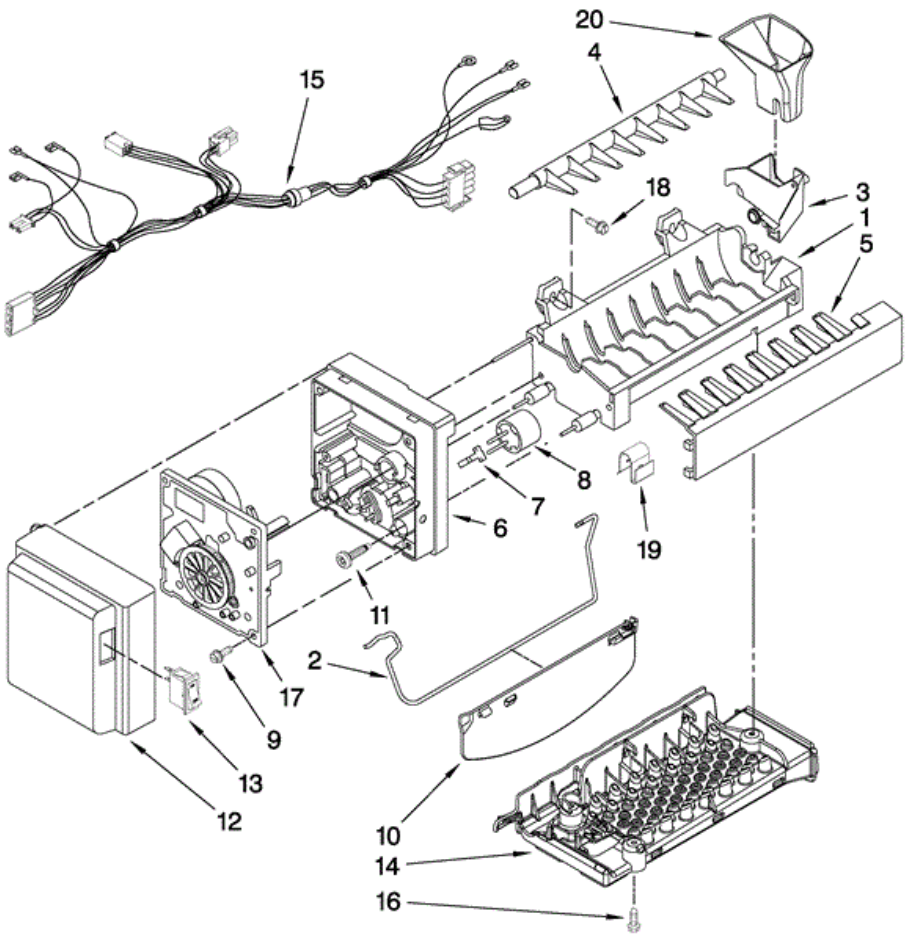


## 7MI2569VEM4 MOTOR & ICE CONTAINER

1	W10324090	ICE BIN ASSEMBLY (INCLUDES AUGER)
2	W10121282	INLET, BLOWER
3	W10121281	SCROLL, BLOWER
4	W10162697	MOTOR, FAN
5	W10123444	WHEEL, BLOWER
6	12956603SP	CLIP, FAN MOTOR
7	W10151687	GROMMET, FAN MOTOR
8	W10331712	DIVIDER, ICE BOX
9	12920001SP	GASKET, DAMPER
10	12955405	MOTOR, AUGER
11	W10127427	DAMPER, CONTROL
13	W10118612	LINER, DIVIDER
14	12990511	SCREW (3)
16	420107A700	WASHER
17	63052A001	YOKE, ICE (DISPENSER)
20	W10142628	FOIL, ICE BOX



**7MI2569VEM4 ICE MAKER**

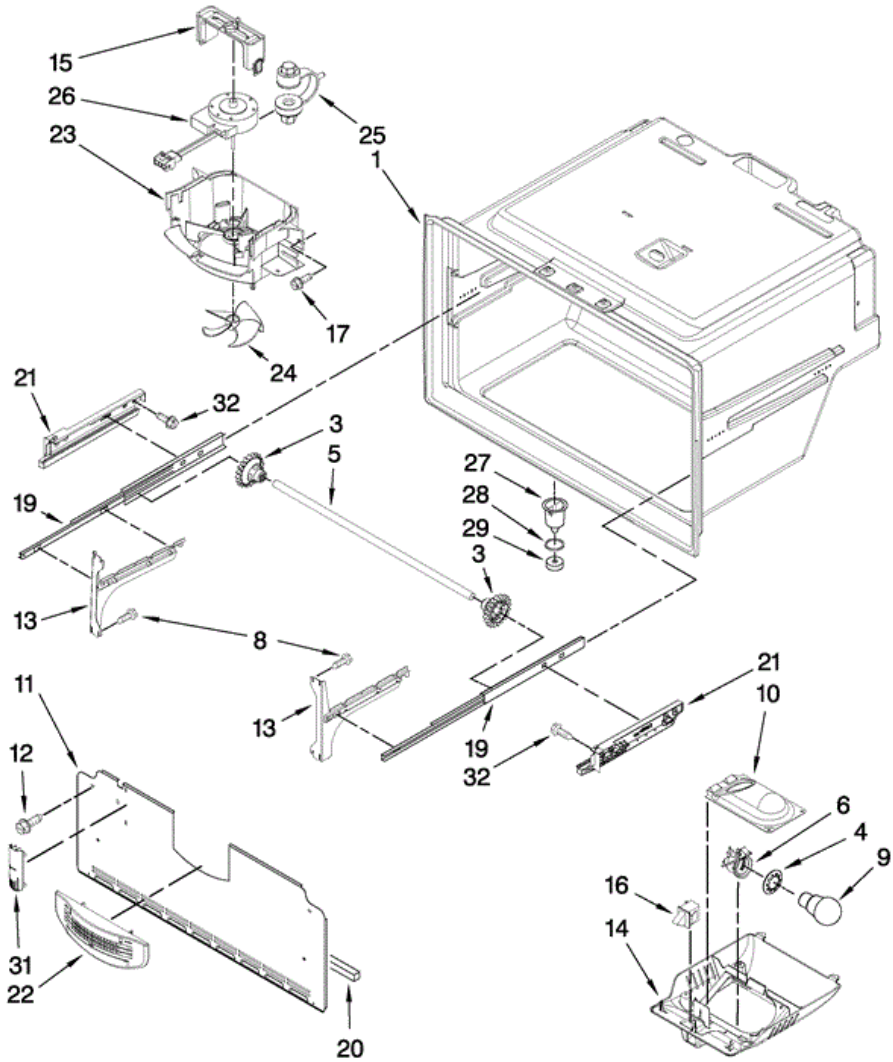




## 7MI2569VEM4 ICE MAKER

1	W10300025	MOLD & HEATER ASSEMBLY
2	W10175514	ARM, SHUTOFF
3	W10327050	CUP, FILL
4	W10318914	EJECTOR
5	W10122563	ICE STRIPPER
6	2194712	SUPPORT, HOUSING
7	2315522	RETAINER THERMOSTAT
8	628532	THERMOSTAT (ALSO ORDER 542369 CEMENT)
9	W10001240	SCREW (3)
10	W10121440	EXTENSION, SHUTOFF ARM
11	8533917	SCREW (2)
12	W10121444	COVER
13	2313326	SWITCH, ON-OFF
14	W10312691	IMPINGER ASSY.
15	W10312697	HARNESS, ICEMAKER
16	12990511	SCREW, IMPINGER
17	626691	MODULE ASSEMBLY (INCLUDES MOTOR W10122551)
18	489136	SCREW (3)
19	628379	CLIP
20	W10121434	INSERT, FILL CUP
100	W10300024	ICEMAKER ASSEMBLY
NI	10244904SP	COUPLING

**7MI2569VEM4 FREEZER LINER**

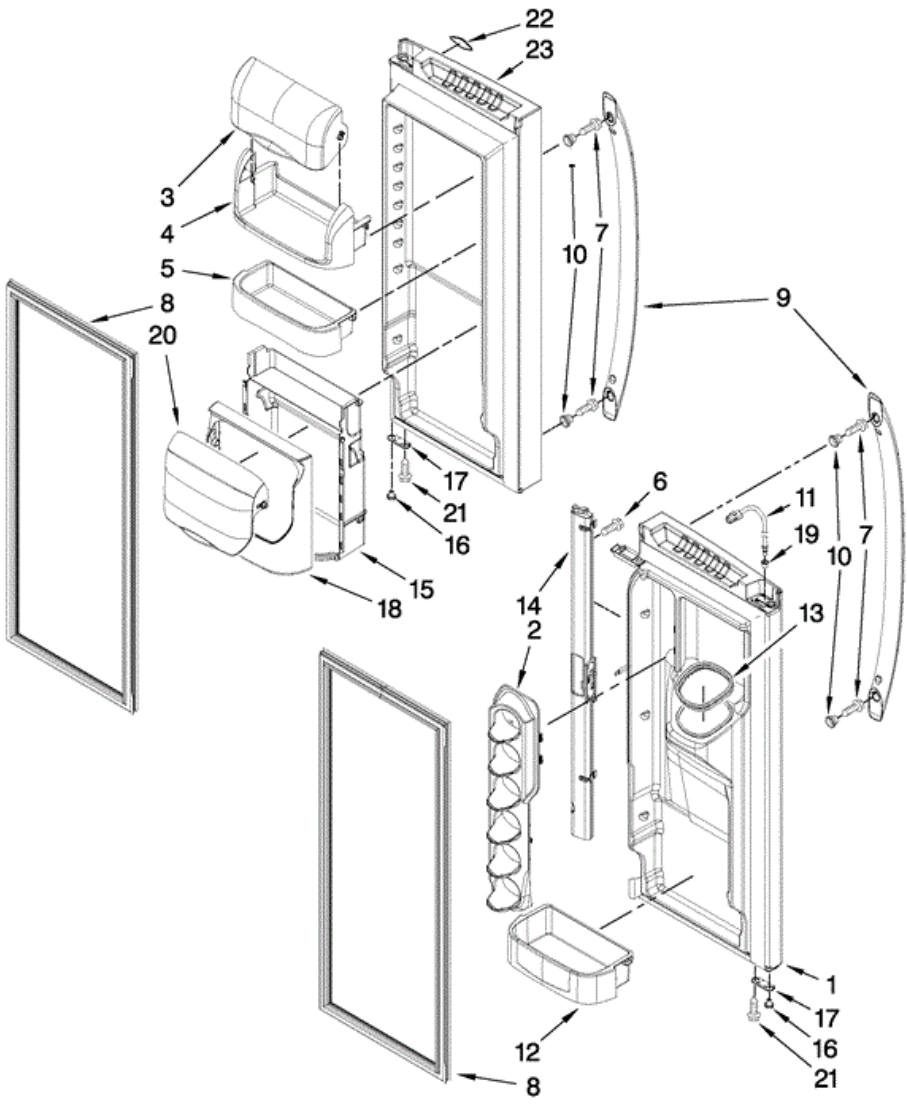




## 7MI2569VEM4 FREEZER LINER

1	N/P	LINER (NOT A SEVICEABLE PART)
3	12002497	GEAR-( L & R )
4	2169193	SHROUD-LGHT SOCKET
5	12812903WD	SHAFT, RACK
6	12570701SP	SOCKET, LIGHT
8	12990521	SCREW, BRACKET
9	2255743	BULB, LIGHT
10	12476401SP	HOUSING, LIGHT
11	W10308421	COVER, EVAP
12	12990511	SCREW
13	W10122147	BRACKET, DOOR SLIDE (LEFT)
13	W10122148	BRACKET, DOOR SLIDE (RIGHT)
14	13027902SP	MODULE, FREEZER LIGHT
15	12956601	CLIP, FAN MOTOR
16	12466115SP	SWITCH, ROCKER
17	12990504	SCREW, FAN SHROUD TO BASKET
19	W10120018	SLIDE, DRAWER (2)
20	A3189397	GASKET, FOAM
21	W10284682	ADAPTER (LEFT)
21	W10284683	ADAPTER (RIGHT)
22	12959901	GRILLE, AIR
23	12951401	SHROUD, EVAP FAN
24	12986101	BLADE, FAN (EVAPORATOR)
25	12951101	GROMMET, FAN MOTOR (2)
26	W10257096	MOTOR, EVAPORATOR FAN
27	D7753903	FUNNEL, DRAIN
28	M0500703	SEAL, O RING
29	B8381501	GASKET, DRAIN TUBE
31	12815301	COVER, THERMISTOR
32	12990501	SCREW, ADAPTER
NI	12952005SP	HARNESS FZ-LIGHT (INCL. THERMISTOR)

**7MI2569VEM4 REFRIGERATOR DOOR**

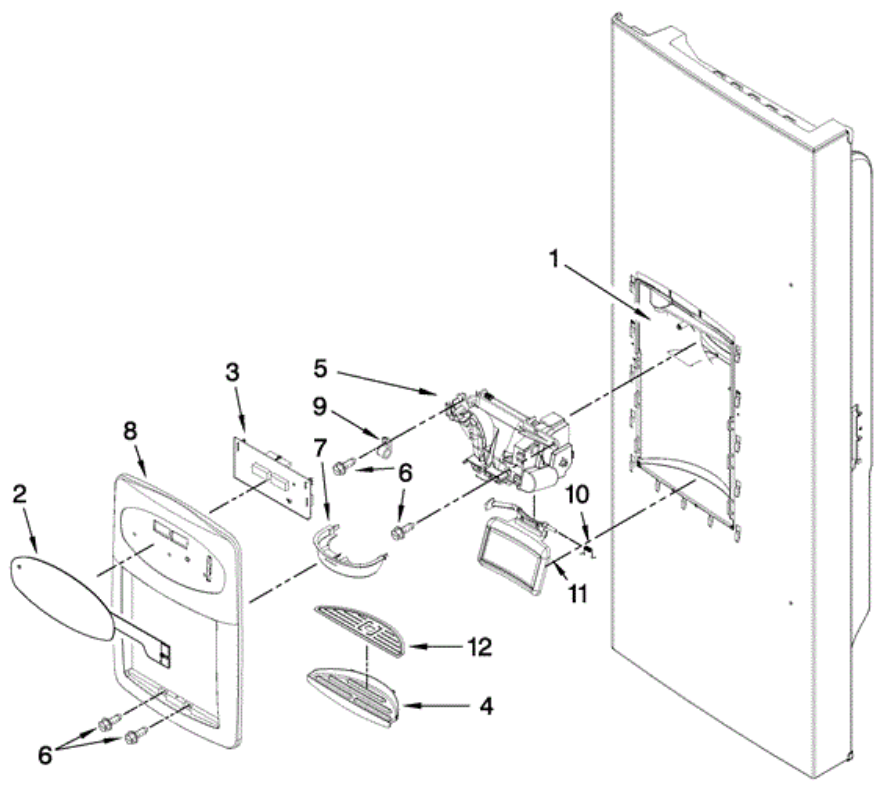




## 7MI2569VEM4 REFRIGERATOR DOOR

1	13107808S	DOOR, LEFT (MONO STAINLESS)
2	12922301	DISPENSER, CAN
3	12804701SP	DOOR, DAIRY
4	12369502SP	TRAY, DAIRY
5	12945801SP	BIN, SHELF (CHILLER TOP)
6	12990204	SCREW
7	W10290759	SCREW, HANDLE
8	W10163991	GASKET, DOOR (LEFT DOOR) (APOLLO GREY)
8	W10163991	GASKET, DOOR (RIGHT DOOR) (APOLLO GREY)
9	W10291144	DOOR HANDLE (STAINLESS)
10	13001201	MOUNT, HANDLE
11	W10275942	WATERLINE, DOOR
12	12840004	BIN, SHELF (GALLON)
13	12665101SP	SEAL, ICE CHUTE
14	12722813APK	MULLION, DOOR (APOLLO GREY)
15	12945601SP	FRAME, CHILLER (REAR)
16	12028505AP	CLOSURE, DOOR (APOLLO GREY)
17	12968202AP	STOP, DOOR (APOLLO GREY)
18	12945501SP	FRAME, CHILLER (FRONT)
19	12996601	CLIP, BUSHING WIRE (LEFT DOOR)
20	12945701SP	DOOR, CHILLER
21	12990521	SCREW
22	W10170766	NAMEPLATE
23	13107811S	DOOR, RIGHT (MONO STAINLESS)

**7MI2569VEM4 DISPENSER FRONT**



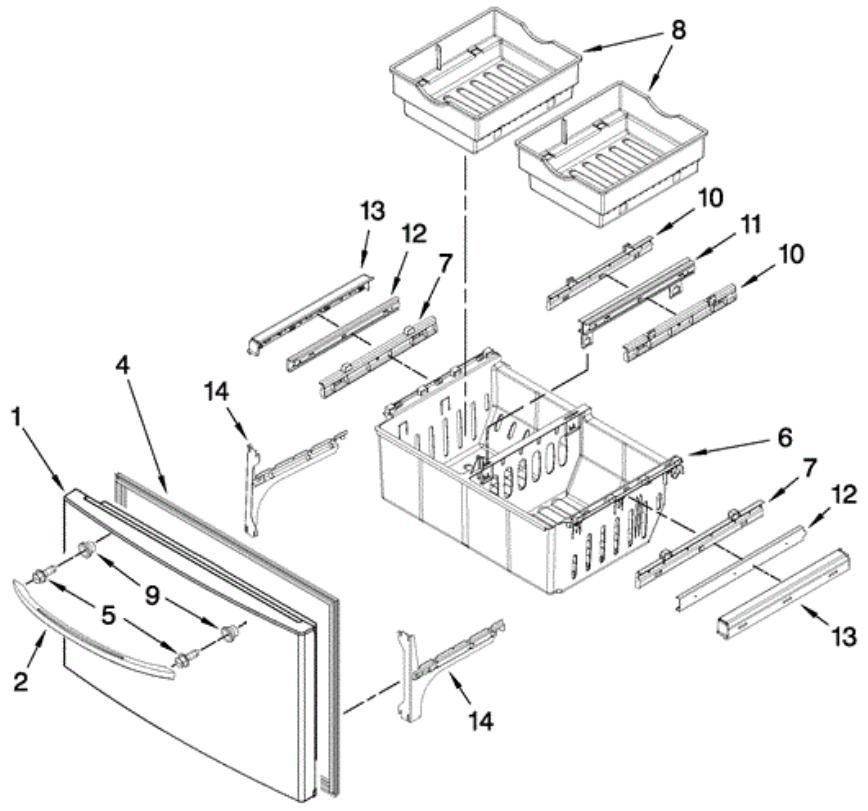


## 7MI2569VEM4 DISPENSER FRONT

1	N/P	HOUSING, DISPENSER (NOT SERVICED)
2	W10316089	KEYBOARD (STAINLESS)
3	12939601	BOARD, L.V.
4	W10185235	SUMP, DISPENSER (MIDNIGHT GREY)
5	13005705	CHUTE, EXT/YOKE (INCLUDES SWITCH)
6	12990513	SCREW (3)
7	12958301	RING, TARGET
8	W10310688	FACADE, DISPENSER (STAINLESS)
9	M0108106	CLAMP, TUBE
10	W10185233	YOKE PAD ASSY. (MIDNIGHT GREY)
11	12565502	SPRING
12	W10142275	GRILLE, SUMP



**7MI2569VEM4 FREEZER DOOR**

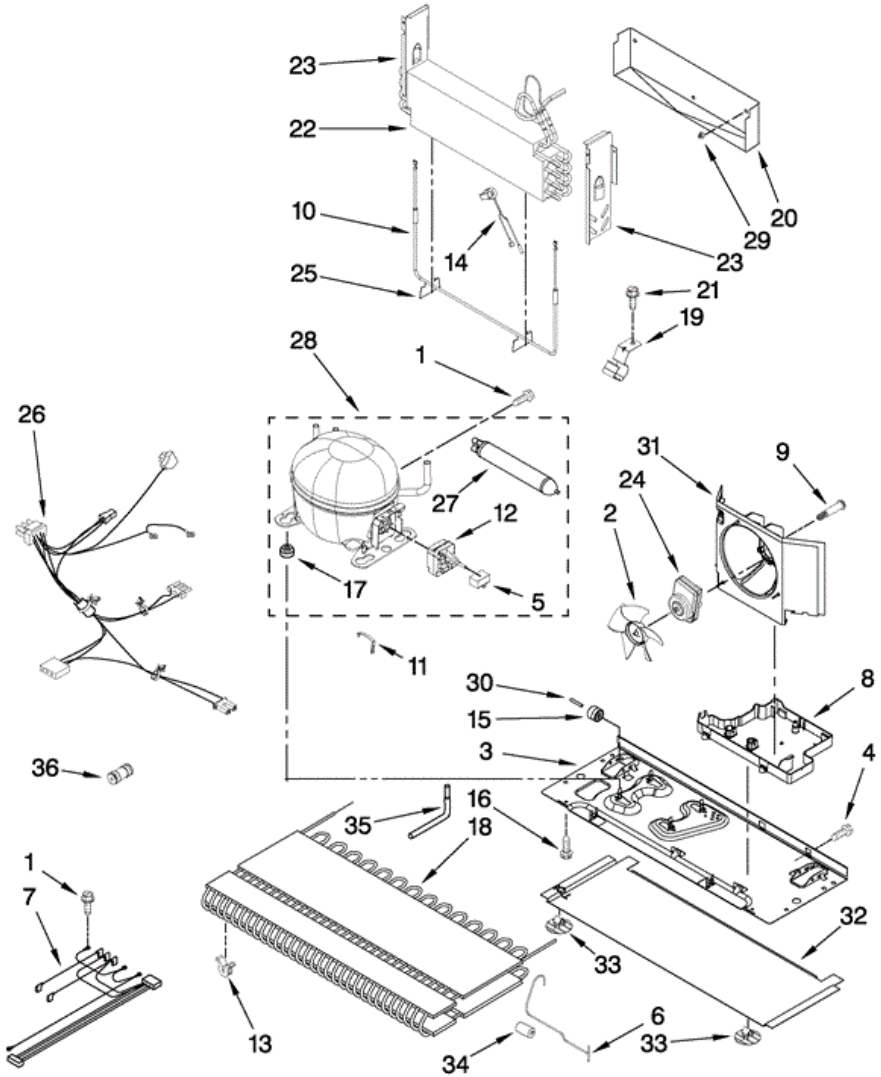




## 7MI2569VEM4 FREEZER DOOR

1	12977846S	FREEZER DOOR (MONO STAINLESS)
2	W10138763	HANDLE, DOOR (STAINLESS)
4	W10164045	GASKET, DOOR (APOLLO GREY)
5	W10290759	SCREW, HANDLE
6	12924801SP	BIN, LOWER
7	12925403SP	ADAPTER, BIN (OUTER)
8	12924903	BIN, UPPER
9	13001201	MOUNT, HANDLE
10	12925404SP	ADAPTER, BIN (INNER)
11	W10235357	BRACKET/GLIDE ASSEMBLY
12	W10235367	GLIDE, UPPER
13	12925501SP	RETAINER, GLIDE (LEFT)
13	12925502SP	RETAINER, GLIDE (RIGHT)
14	W10122147	BRACKET, DOOR SLIDE (LEFT)
14	W10122148	BRACKET, DOOR SLIDE (RIGHT)

**7MI2569VEM4 UNIT**





## 7MI2569VEM4 UNIT

1	12992301	SCREW
2	12825803	BLADE, FAN
3	W10210985	BASEPAN
4	12990511	SCREW
5	2264017	CAPACITOR
6	W10217747	TUBE, DISCHARGE
7	W10257095	HARNESS, EVAP. HEATER
8	W10296785	PAN, DRAIN
9	W10216919	SCREW, SHOULDER
10	12729123	HEATER, DEFROST
11	W10204187	STRAP, BALE
12	W10197428	START DEVICE
13	W10137529	GROMMET, COND (4)
14	12639311SP	THERMOSTAT, DEFROST
15	12477102	ROLLER (2)
16	12992101	SCREW
17	10835903SP	GROMMET (4)
18	W10135026	CONDENSER
19	W10281329	CLIP, DRIER
20	W10292803	TRAY, DRIP
21	12990701	SCREW
22	12959803	EVAPORATOR
23	12963002SP	DAM (LEFT SIDE)
23	12963102SP	DAM (RIGHT SIDE)
24	W10239053	MOTOR, FAN
25	10428101	CLIP, HEATER
26	W10234027	HARNESS, UNIT WITH POWER CORD
27	W10143759	DRIER
28	W10134623	COMPRESSOR (INCLUDES ITEMS 11,12,17,27)
29	10623002	CLIP, EVAPORATOR
30	12477202	AXLE, ROLLER (2)
31	W10189184	SHROUD
32	W10206338	EXTENSION-BASEPAN

33	W10206339	FASTENER, BASEPAN
34	2319835	GROMMET-CONDENSER
35	W10184616	TUBE-PROCESS
36	W10334458	CONNECTOR, WATER
NI	876764	VALVE, ACCESS (3/16``)
NI	978025	VALVE, ACCESS (1/4``)
NI	978026	VALVE, ACCESS (5/16``)
NI	978027	VALVE, ACCESS (3/8``)
NI	978028	VALVE, ACCESS (1/2``)
NI	978029	VALVE, ACCESS (5/8``)
NI	978030	VALVE, ACCESS (3/4``)
NI	N/P	REFRIGERANT CHARGE (5.25 OZS. (R-134A))