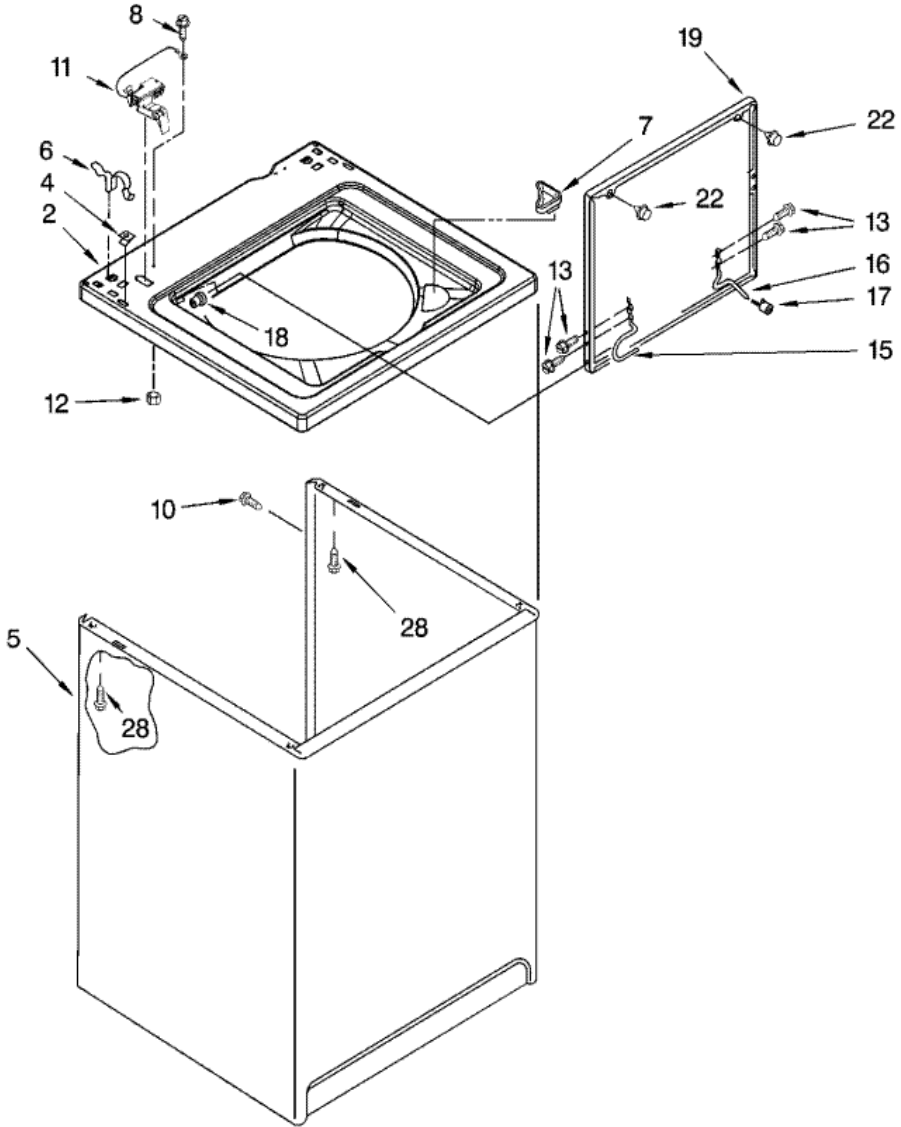


**7MLBR6103PT0 GABINETE**





## 7MLBR6103PT0 GABINETE

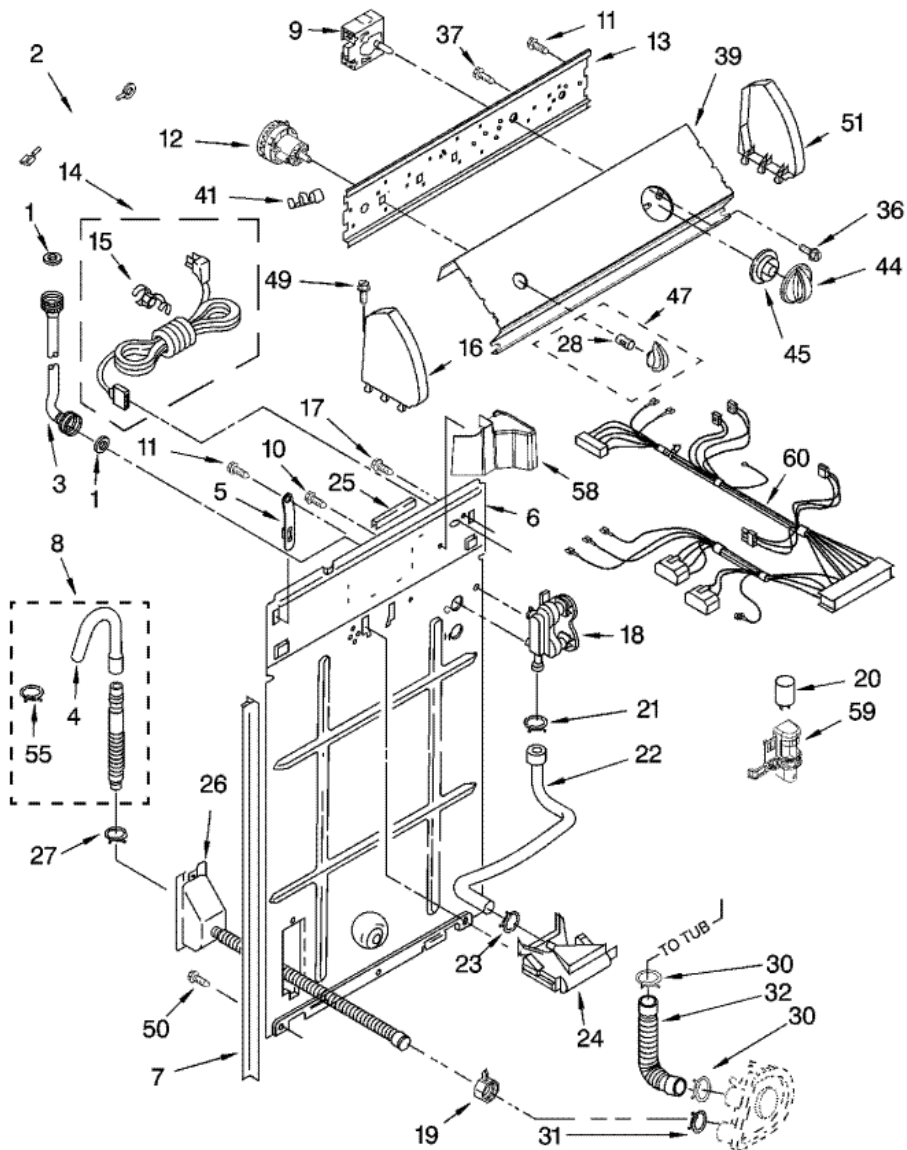
2	8541619	TOP <b>(S/P)</b>
4	357213	NUT, PUSH-IN <b>(S/P)</b>
5	3954777	CABINET <b>(S/P)</b>
6	62780	CLIP, TOP & CABINET & REAR PANEL (2)
7	3362952	DISPENSER, BLEACH
8	3351614	SCREW, GROUND <b>(S/P)</b>
10	3357011	SCREW, 10-16 X 1/2 <b>(S/P)</b>
11	8318084	SWITCH, LID
12	680762	NUT, HEX <b>(S/P)</b>
13	3351355	SCREW, LID HINGE MOUNTING (4) <b>(S/P)</b>
15	8318088	HINGE, LID (L.H.) <b>(S/P)</b>
16	54583	HINGE, LID (R.H.) <b>(S/P)</b>
17	19119	BUMPER, LID HINGE <b>(S/P)</b>
18	21258	BEARING, LID HINGE (2) <b>(S/P)</b>
19	3957616	LID <b>(S/P)</b>
22	93770	BUMPER, LID (2)
28	3390631	SCREW, 10-16 X 3/8 (4) <b>(S/P)</b>

Distribuidor Autorizado

SurteRápido.com

Venta de Refacciones  
Electrodomesticas

## 7MLBR6103PT0 TABLERO



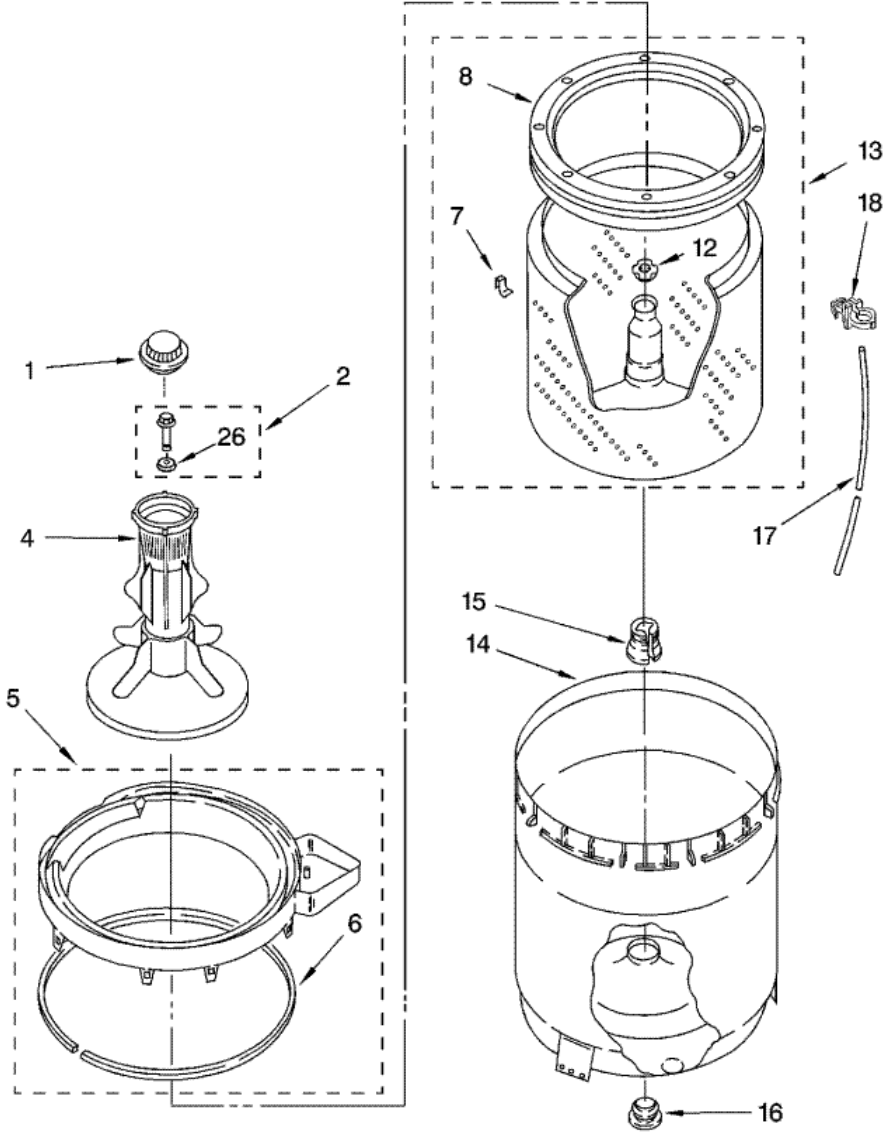


## 7MLBR6103PT0 TABLERO

1	16123	WASHER, WATER INLET HOSE (2) (1-1/16 X 5/8) (S/P)
2	3395559	WIRE, GROUND (S/P)
3	89503	HOSE, WATER INLET
4	3357027	NOZZLE-DRAIN HOSE (S/P)
5	8568314	STRAP, CONSOLE (2) (S/P)
6	8318407	PANEL, REAR (S/P)
7	62747	PAD, REAR PANEL (S/P)
8	285666	HOSE, DRAIN (9 FT.) (NOT INCLUDED) (S/P)
8	285702	EXTENSION, DRAIN HOSE (S/P)
8	285664	HOSE, DRAIN (4 FT.)
9	8542377	TIMER, CONTROL (50 HZ.)
10	9740848	SCREW, 8-18 X 1/2 (S/P)
11	90767	SCREW, 8-18 X 3/8 (S/P)
12	3366848	SWITCH, WATER LEVEL
13	3948814	BRACKET, CONTROL (S/P)
14	8532158	CORD, POWER (S/P)
15	285777	STRAIN RELIEF, POWER CORD (S/P)
16	8314852	CAP, END (L.H.) (S/P)
17	3351614	SCREW, GROUND (S/P)
18	8541697	VALVE, WATER INLET-SINGLE PORT (S/P)
19	3976395	CLAMP, HOSE (S/P)
20	8572717	CAPACITOR (S/P)
21	596669	CLAMP, HOSE (S/P)
22	3357328	HOSE, VACUUM BREAK
23	596669	CLAMP, HOSE (S/P)
24	3347034	BREAK, VACUUM
25	3367669	EDGE PROTECTOR (S/P)
26	8317940	ASSEMBLY, DRAIN HOSE
27	356138	CLAMP, HOSE (S/P)
28	8536939	CLIP, KNOB (S/P)
30	616099	CLAMP, HOSE (S/P)
31	285655	CLAMP, HOSE (S/P)
32	285871	HOSE, PUMP TO TUB

36	3400818	SCREW, TIMER MOUNTING (S/P)
37	3179795	SCREW, GROUND (S/P)
39	8539632	PANEL, CONSOLE (S/P)
41	357572	CLIP, GROUNDING (S/P)
44	8544944	KNOB, TIMER (S/P)
45	8544948	DIAL, TIMER (S/P)
47	8544936	KNOB, CONTROL (S/P)
49	388326	SCREW, 8-18 X 1.25 (PANEL TO TOP) (S/P)
50	62863	SCREW, 10-16 X 3/8 (S/P)
51	8314851	CAP, END (R.H.) (S/P)
55	3366913	CLAMP, DRAIN HOSE (S/P)
58	8314879	SHIELD, INLET VALVE (S/P)
59	8318046	CLIP, CAPACITOR (S/P)
60	3956737	HARNES, WIRING (S/P)

**7MLBR6103PT0 TINA**

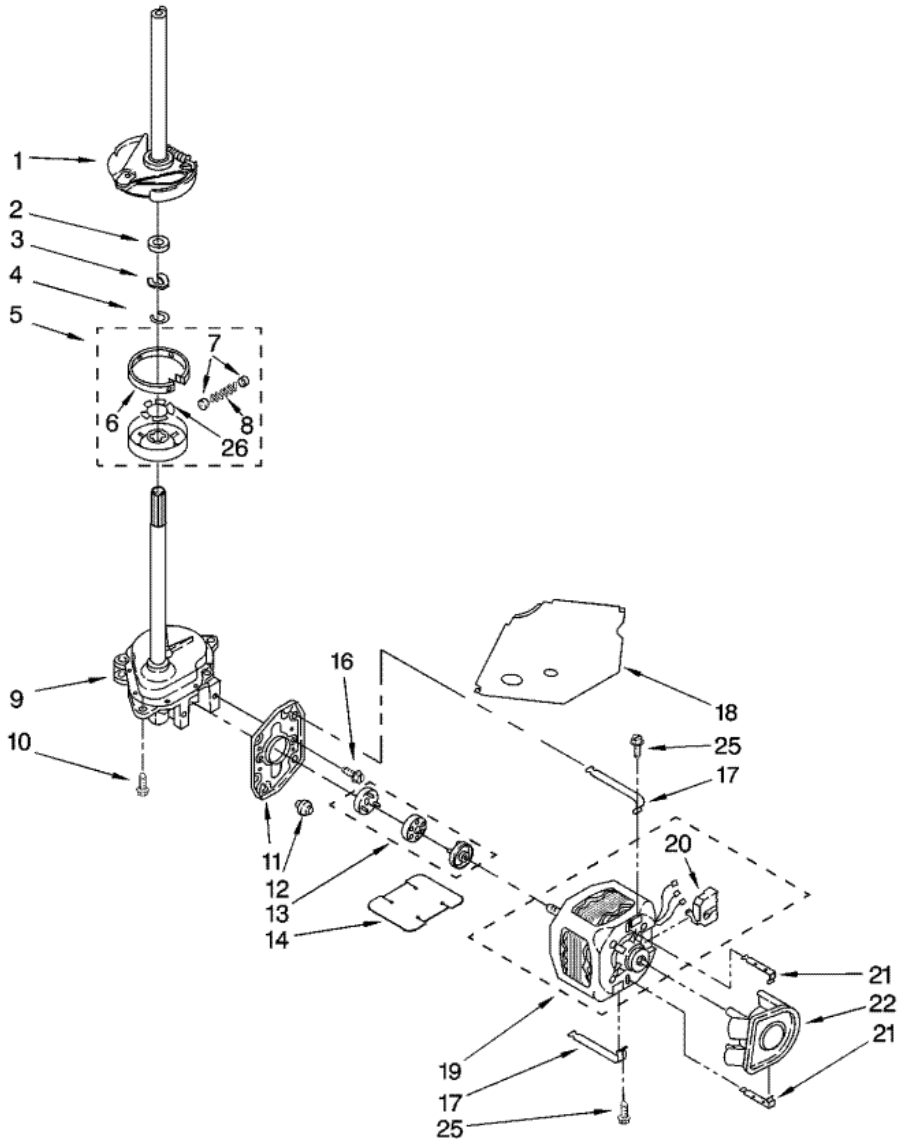




**7MLBR6103PT0 TINA**

1	3352483	CAP, AGITATOR
2	358237	SCREW & WASHER (5/16-24 X 1)
4	63377	AGITATOR
5	3360611	TUB RING <b>(S/P)</b>
6	3359586	GASKET, TUB RING
7	8519815	CLIP, BALANCE RING (8) <b>(S/P)</b>
8	3956205	BALANCE RING
12	21366	NUT, SPANNER
13	3956207	BASKET <b>(S/P)</b>
14	63125	TUB <b>(S/P)</b>
15	389140	BLOCK, BASKET DRIVE
16	383727	GASKET, CENTERPOST
17	353244	HOSE, PRESSURE SWITCH
18	2219077	CLIP, PRESSURE SWITCH HOSE <b>(S/P)</b>
26	3949550	WASHER <b>(S/P)</b>

**7MLBR6103PT0 MOTOR**







## 7MLBR6103PT0 MOTOR

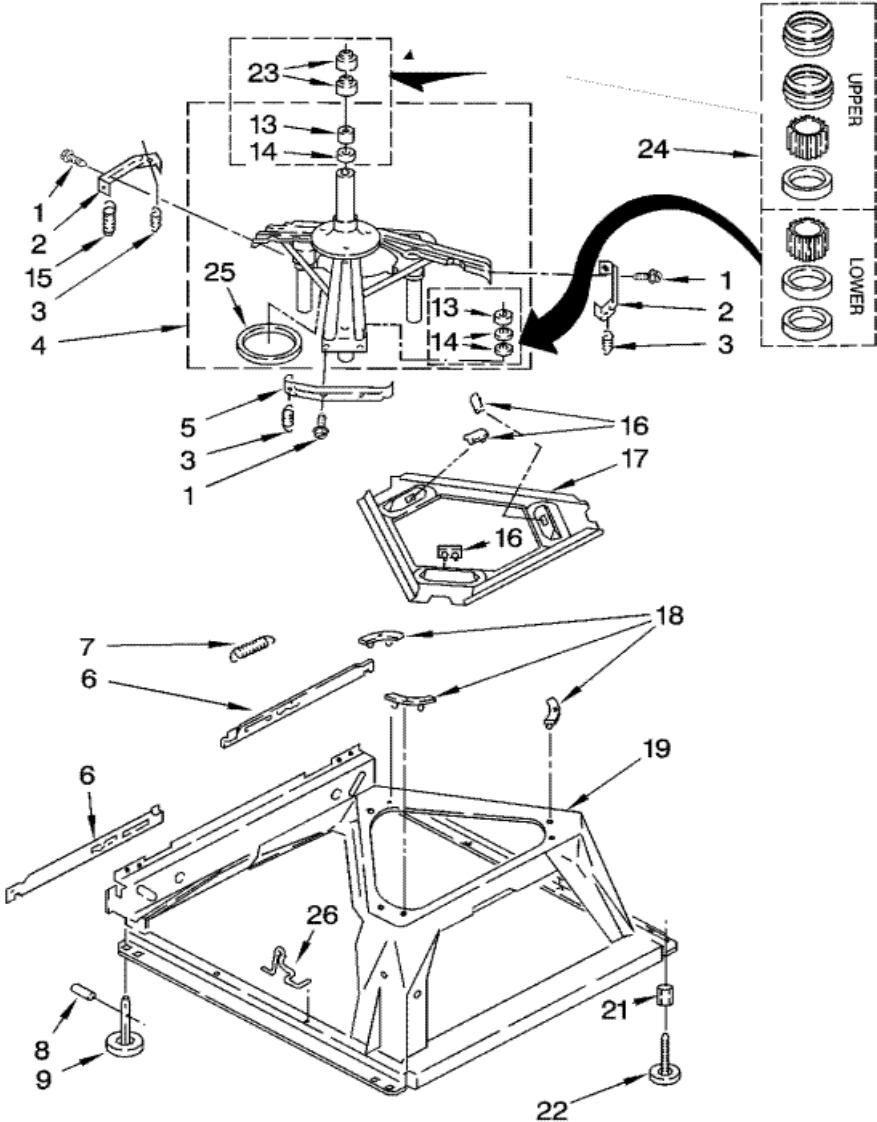
1	285792	BRAKE & DRIVE TUBE (COMPLETE)
2	63292	WASHER, SPIN TUBE THRUST
3	62697	RING, SPIN TUBE SUPPORT
4	285353	RING, RETAINER
5	285785	CLUTCH (COMPLETE)
6	285790	BAND & LINING, CLUTCH (INCLUDES ILLUS. 7 & 8)
7	62646	CAP, CLUTCH SPRING (2) <b>(S/P)</b>
8	3946792	SPRING, CLUTCH <b>(S/P)</b>
9	3360629	GEARCASE (COMPLETE)
10	3357334	SCREW, GEARCASE TO BASE (3) <b>(S/P)</b>
11	62611	PLATE, MOTOR MOUNT TO GEARCASE
12	62691	GROMMET, MOTOR (4)
13	285753	COUPLING, MOTOR AND ISOLATION COUPLING
14	8316060	SHIELD, MOTOR <b>(S/P)</b>
16	3400516	SCREW <b>(S/P)</b>
17	3349637	RETAINER, MOTOR (2)
18	3362089	SHIELD, TUB TO MOTOR <b>(S/P)</b>
19	8528158	MOTOR, MAIN DRIVE <b>(S/P)</b>
20	3952056	SWITCH, MAIN DRIVE MOTOR <b>(S/P)</b>
21	62700	RETAINER, PUMP (2)
22	3363394	PUMP (COMPLETE)
25	3387485	SCREW (2) 10-16 X 5/8 <b>(S/P)</b>
26	3355454	CLIP, ANTI-RATTLE <b>(S/P)</b>

Distribuidor Autorizado

SurteRápido.com

Venta de Refacciones  
Electrodomesticas

## 7MLBR6103PT0 BASE

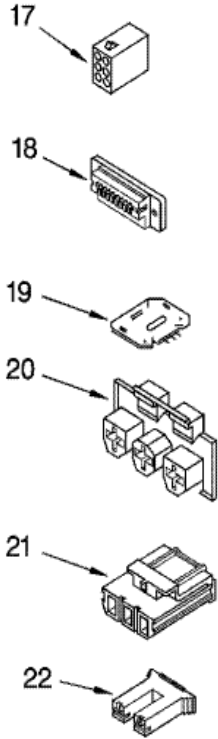
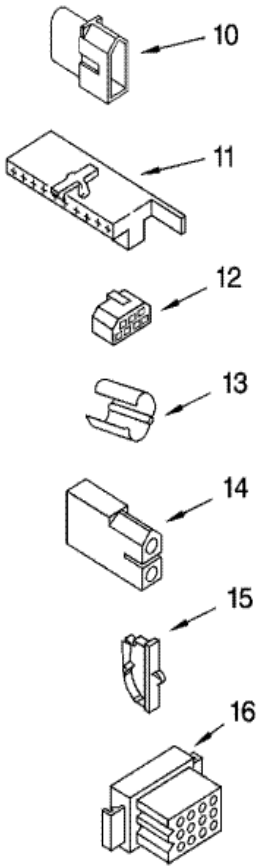
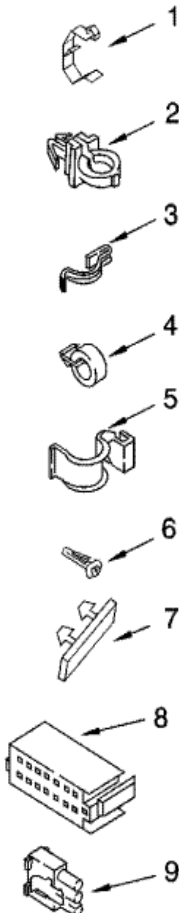




## 7MLBR6103PT0 BASE

1	3400076	SCREW, BRACKET MOUNTING (10-32 X 5/8) <b>(S/P)</b>
2	64067	BRACKET, SPRING OUTER (2)
3	63907	SPRING (3)
4	280184	SUPPORT & BRAKE, TUB
5	64065	BRACKET, SPRING OUTER (L.F.)
6	63138	LINK, LEVELING MECHANISM (2) <b>(S/P)</b>
7	8316845	SPRING, LEVELING MECHANISM
8	62837	PIN, KNURLED <b>(S/P)</b>
9	285244	FOOT, REAR (2)
13	8546455	BEARING, CENTERPOST (2) <b>(S/P)</b>
14	359449	SEAL, CENTERPOST (3)
15	388492	SPRING, COUNTERWEIGHT
16	285219	PAD, PLATE
17	3946509	PLATE, SUSPENSION (INCLUDES ILLUS. 16)
18	285744	PAD, BASE
19	285459	BASE ASSEMBLY <b>(S/P)</b>
21	3359452	NUT, LOCK (2) (3/8-16) <b>(S/P)</b>
22	389102	FOOT, FRONT (2)
23	91938	SEAL, CENTERPOST (2)
24	285203	CENTERPOST BEARING KIT
25	63134	RING, SOUND DEADENING
26	63806	RETAINER, SUSPENSION SPRING

**7MLBR6103PT0 HARNES**

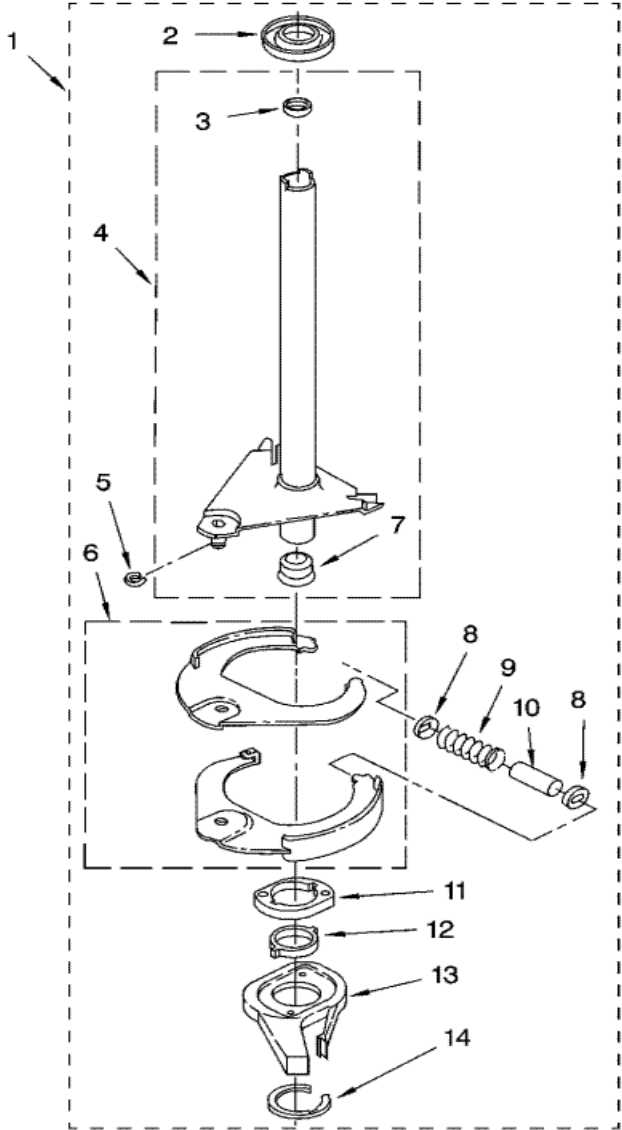




**7MLBR6103PT0 HARNES**

1	3349557	CLIP, HARNESS (S/P)
2	388498	<b>DESCONTINUADO</b>
3	8528351	CLIP, HARNESS (S/P)
4	3348535	CLIP, HARNESS (S/P)
5	90016	CLIP, HARNESS (S/P)
6	8281256	CLIP, HARNESS (S/P)
7	389379	RETAINER, (SUDS MODELS) (S/P)
8	352089	TIMER, BLOCK DISCONNECT (BLACK) (S/P)
8	3948614	TIMER, BLOCK DISCONNECT (WHITE) (S/P)
9	62889	RECEPTACLE, TERMINAL (3-WAY) (S/P)
10	353424	PLUG, TERMINAL (3-WAY) (POWER CORD) (S/P)
11	62505	BLOCK, DISCONNECT (MOTOR 2 SPEED) (S/P)
12	3347243	BLOCK, DISCONNECT (USE TERM. 352088) (S/P)
13	63523	PROTECTOR (S/P)
14	717252	CONNECTOR (2-WAY) (USE TERM.94614) (S/P)
15	3352944	CLIP, HARNESS (S/P)
16	3390423	BLOCK, DISCONNECT (12-WAY) (TIMER) (S/P)
17	3347730	<b>DESCONTINUADO</b>
18	3349494	CONNECTOR, ETC (S/P)
19	3955728	E.T.C. CONTROL
20	3948617	CONNECTOR (T.P.A.) (3-CIRCUIT) (S/P)
21	3360056	CONNECTOR (T.P.A) (3-CIRCUIT) (S/P)
22	3354925	BLOCK, CONNECTOR (COLD VALVE) (S/P)
22	3354926	BLOCK, CONNECTOR (HOT VALVE) (S/P)

**7MLBR6103PT0 FLECHA HUECA**





## 7MLBR6103PT0 FLECHA HUECA

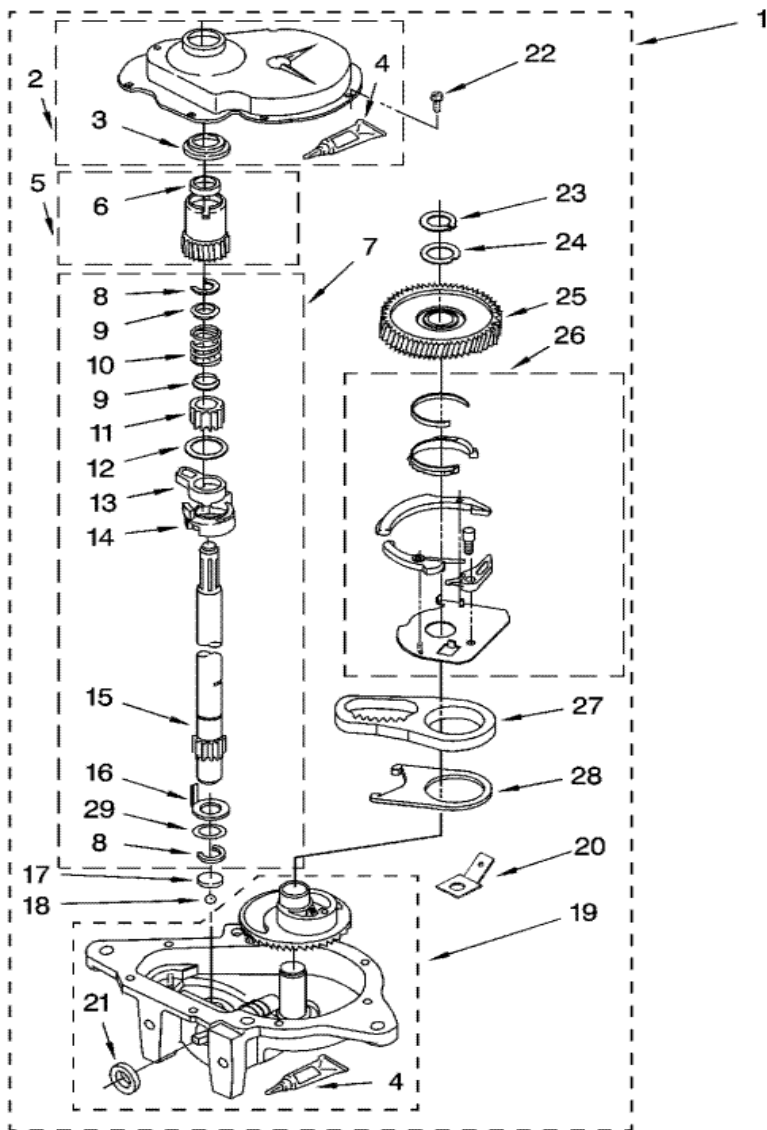
1	285792	BRAKE AND DRIVE TUBE (COMPLETE)
2	62658	RING, THRUST
3	356427	SEAL, DRIVE TUBE
4	64208	TUBE, BASKET DRIVE (INCLUDES ILLUS. 3, 4, 5 & 9)
5	64035	RING, RETAINING <b>(S/P)</b>
6	285438	SHOE, BRAKE (2)
7	62703	``T`` BEARING, SPIN TUBE
8	285658	CAP, BRAKE SPRING (2) <b>(S/P)</b>
9	62647	SPRING, BRAKE
10	285658	SLEEVE, BRAKE SPRING <b>(S/P)</b>
11	661516	CAM, BRAKE RELEASE
12	63022	<b>DESCONTINUADO</b>
13	285790	DRIVER, BRAKE CAM
14	285208	LUBRICANT <b>(S/P)</b>
14	90368	RING, RETAINING

Distribuidor Autorizado

SurteRápido.com

Venta de Refacciones  
Electrodomesticas

# 7MLBR6103PT0 TRANSMISION



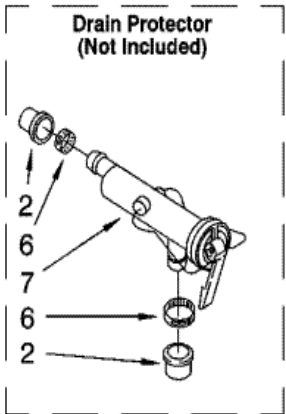
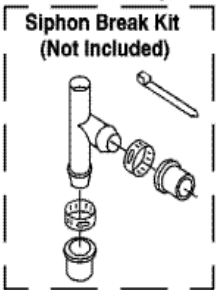
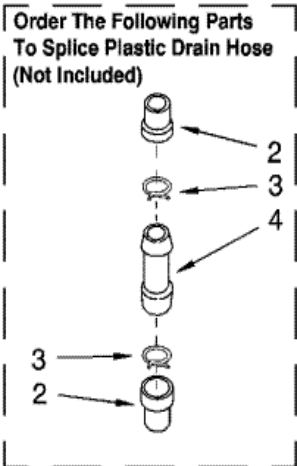




## 7MLBR6103PT0 TRANSMISION

1	3360629	GEARCASE (COMPLETE)
2	285202	COVER, GEARCASE (S/P)
3	3349985	SEAL, GEARCASE COVER
4	285195	SEALER, GASKET (.20 FL. OZ.) (6 ML)
5	285362	PINION, SPIN (INCLUDES ILLUS. 25)
6	356427	SEAL, SPIN PINION
7	389387	SHAFT, AGITATOR (COMPLETE)
8	90369	RING, RETAINING (2)
9	62677	RETAINER, SPRING (2)
10	62676	SPRING, AGITATE
11	285509	<b>DESCONTINUADO</b>
12	62619	WASHER, AGITATE GEAR (S/P)
13	285206	CAM FOLLOWER (INCLUDES 14)
14	285206	CAM, AGITATE (INCLUDES 13)
15	285509	<b>DESCONTINUADO</b>
16	62618	WASHER, CAM THRUST
17	285205	BEARING, THRUST (INCLUDES 18)
18	285205	BALL, BEARING (INCLUDES 17)
19	285515	BOTTOM AND PINION, GEARCASE (S/P)
20	3949116	BLOCK TAB, TERMINAL (S/P)
21	285352	SEAL, THRUST PLUG
22	3351614	SCREW, GEARCASE (S/P)
23	285765	RING, RETAINING
24	285735	WASHER KIT, THRUST
25	285362	GEAR, SPIN
26	388253	NEUTRAL ASSEMBLY
27	3949609	RACK, CONNECTING
28	62621	ACTUATOR, SHIFT
29	388815	WASHER, INTERMEDIATE (S/P)

**7MLBR6103PT0 SISTEMA DE AGUA**





## 7MLBR6103PT0 SISTEMA DE AGUA

1	285442	CONNECTOR KIT, PLASTIC DRAIN HOSE (S/P)
1	285654	MISCELLANEOUS PARTS BAG (S/P)
2	285321	SLEEVE KIT, (CONTAINS 2 SLEEVES) (S/P)
2	16123	WASHER, WATER INLET HOSE (2) (1-1/16 X 5/8) (S/P)
3	3359452	NUT, LOCK (2) (3/8-16) (S/P)
3	285655	CLAMP, HOSE (S/P)
4	356138	CLAMP, HOSE (S/P)
4	16272	CONNECTOR, STRAIGHT (S/P)
5	285320	SIPHON BREAK KIT (NOT INCLUDED) (S/P)
5	3357331	CLAMP, HOSE (S/P)
6	389102	FOOT, FRONT (2)
6	285655	CLAMP, HOSE (S/P)
7	367031	DRAIN PROTECTOR (NOT INCLUDED) (S/P)