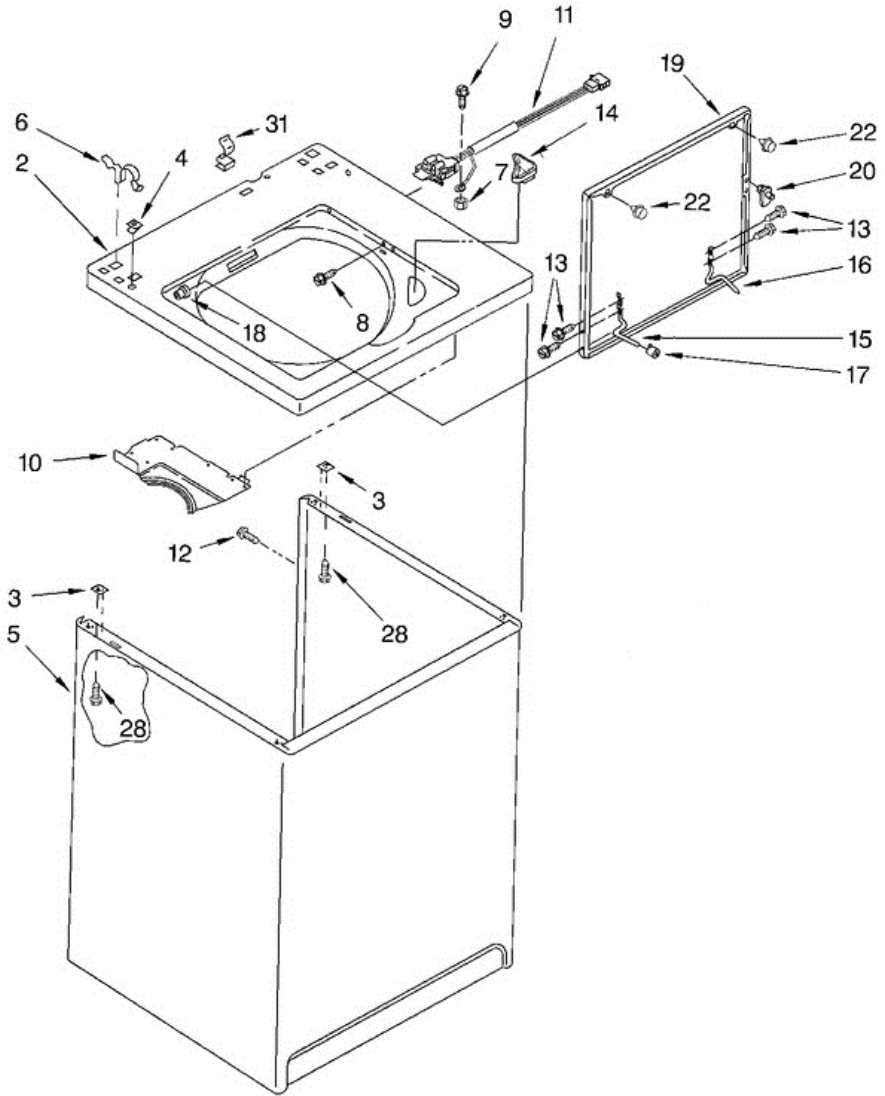


**7MLBR7333MT0 GABINETE**





## 7MLBR7333MT0 GABINETE

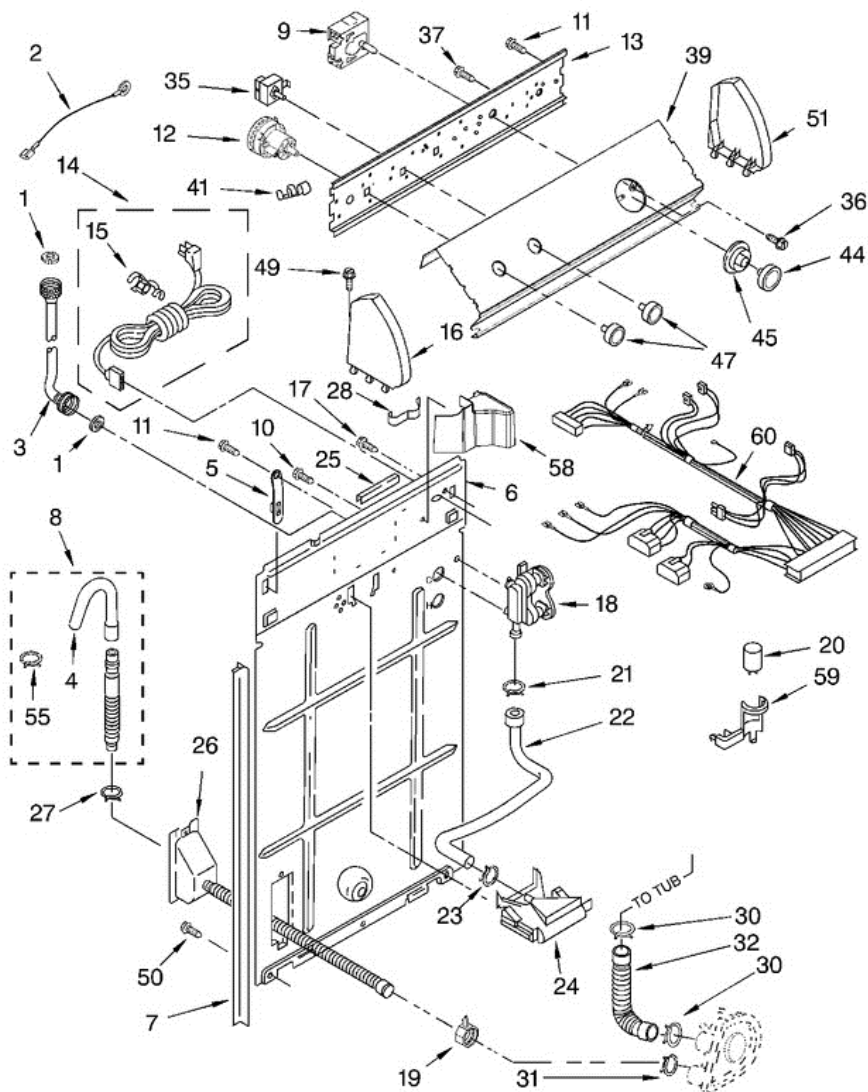
2	8271410	TOP
3	62750	SPACER, CABINET TO TOP (4)
4	357213	NUT, PUSH IN
5	3954777	CABINET
6	62780	CLIP, TOP & CABINET & REAR PANEL (2)
7	3400901	NUT, HEX
8	3356311	SCREW & WASHER, LID SWITCH (2)
9	3351614	SCREW, 10-24 X 3/8
10	3950995	SHIELD, LID SWITCH
11	3950299	SWITCH, LID
12	3357011	SCREW, 10-16 X 1/2
13	3351355	SCREW, LID HINGE MOUNTING (4)
14	3362952	DISPENSER, BLEACH
15	54584	HINGE, LID (L.H.)
16	91770	HINGE, LID (R.H.)
17	19119	BUMPER, LID HINGE
18	21258	BEARING, LID HINGE (2)
19	8541724	LID
20	357913	STRIKE, LID SWITCH
22	9724509	BUMPER, LID (2)
28	3390631	SCREW, 10-16 X 3/8 (4)
31	90016	CLIP, HARNESS

Distribuidor Autorizado

SurteRápido.com

Venta de Refacciones  
Electrodomesticas

## 7MLBR7333MT0 TABLERO



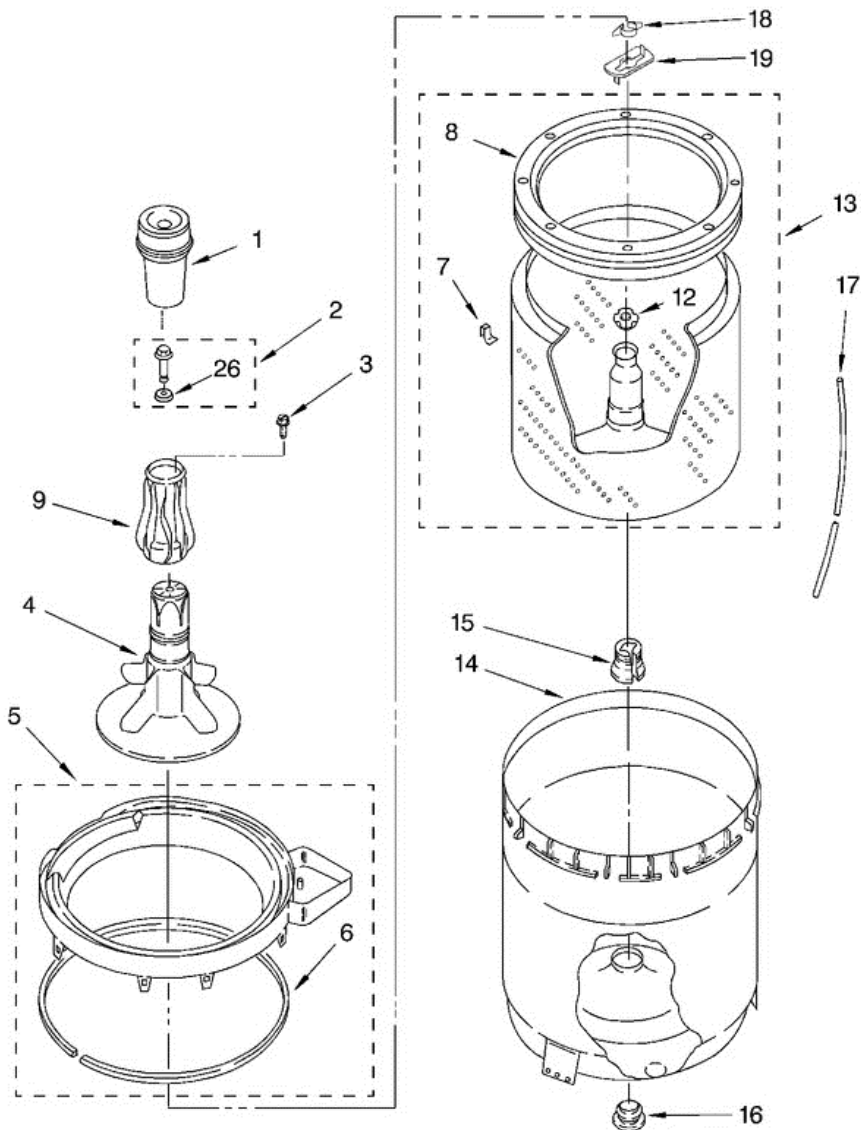


## 7MLBR7333MT0 TABLERO

1	3976300	WASHER, WATER INLET HOSE (4)
2	3398893	WIRE, GROUND
3	3949374	HOSE, WATER INLET ((BLUE COUPLER))
3	3949375	HOSE, WATER INLET ((RED COUPLER))
4	3357027	NOZZLE-DRAIN HOSE
5	8318255	STRAP, CONSOLE (2)
6	8318407	PANEL, REAR
7	62747	PAD, REAR PANEL
8	3357090	EXTENSION, DRAIN HOSE (21 INCHES)
8	3951609	HOSE, DRAIN (4 FT.)
8	661577	HOSE, DRAIN (9 FT.) (NOT INCLUDED)
9	8542374	TIMER, CONTROL (50 HZ.)
10	9740848	SCREW, 8-18 X 1/2
11	90767	SCREW, 8-18 X 3/8
12	3366848	SWITCH, WATER LEVEL
13	3948814	BRACKET, CONTROL
14	8532158	CORD, POWER
15	3949468	STRAIN RELIEF, POWER CORD
16	8314852	CAP, END (L.H.)
17	3351614	SCREW
18	3952164	VALVE, WATER MIXING
19	3976395	CLAMP, HOSE
20	661606	CAPACITOR
21	370451	CLAMP, HOSE
22	62662	HOSE, VACUUM BREAK
23	371503	CLAMP, HOSE
24	3347034	BREAK, VACUUM
25	303294	EDGE PROTECTOR
26	8317940	ASSEMBLY, DRAIN HOSE
27	3366912	CLAMP, HOSE
28	3347812	CLIP, HARNESS
30	3363366	CLAMP, HOSE
31	8317496	CLAMP, HOSE

32	3951449	HOSE, PUMP TO TUB
35	661612	SWITCH, WATER TEMPERATURE
36	3400818	SCREW, TIMER MOUNTING
37	3179795	SCREW, GROUND
39	8539612	PANEL, CONSOLE
41	357572	CLIP, GROUNDING
44	8271347	KNOB, TIMER
45	8271370	DIAL, TIMER
47	8271348	KNOB, CONTROL
49	388326	SCREW, 8-18 X 1.25 (PANEL TO TOP)
50	62863	SCREW, 10-16 X 3/8
51	8314851	CAP, END (R.H.)
55	3366913	CLAMP, DRAIN HOSE
58	8314879	SHIELD, INLET VALVE
59	8318201	CLIP, CAPACITOR
60	3956526	HARNES, WIRING (FOR DETAIL SEE PAGES 9 & 10)

**7MLBR7333MT0 TINAS**

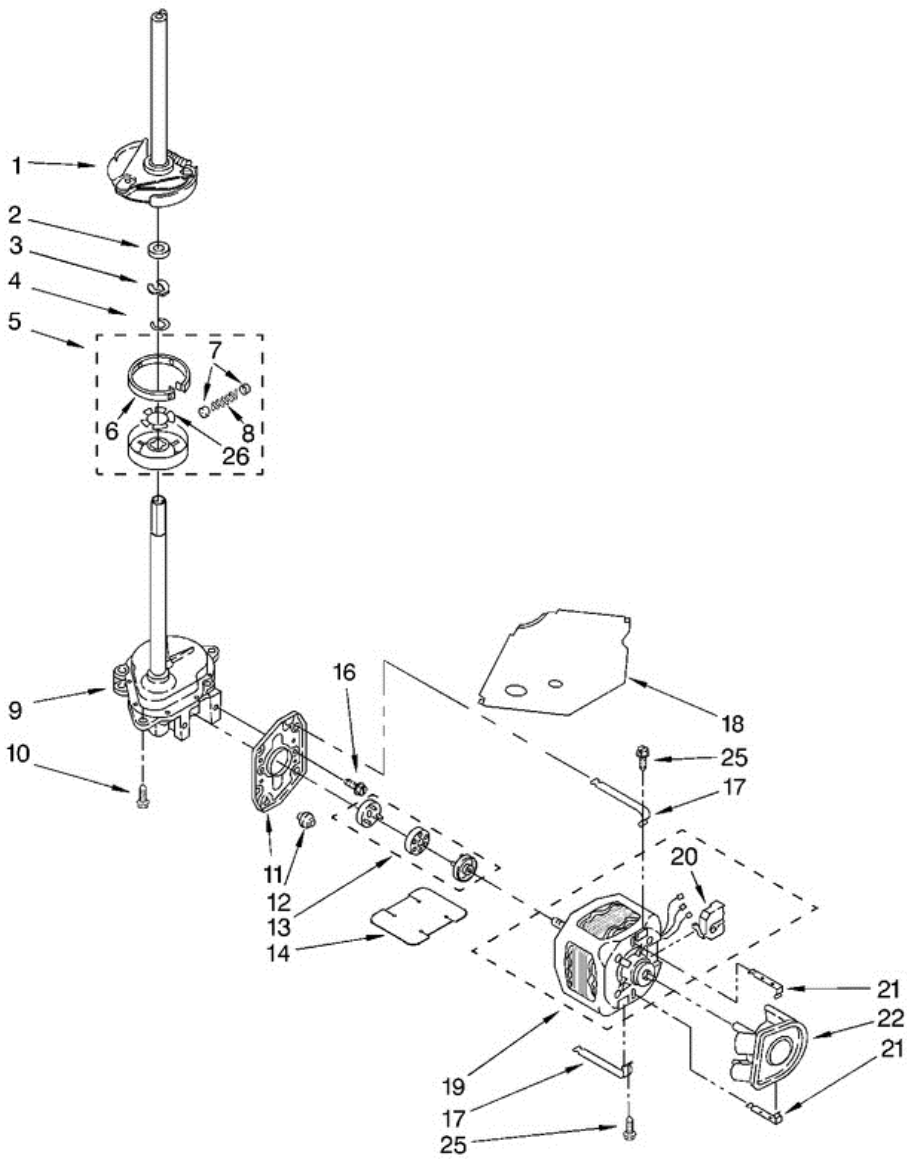




## 7MLBR7333MT0 TINAS

1	63580	DISPENSER
2	358237	SCREW & WASHER (5-16-24 X 1)
3	63027	SCREW (2)
4	64214	AGITATOR
5	3360611	TUB RING
6	3359586	GASKET, TUB RING
7	8519815	CLIP, BALANCE RING (8)
8	3956205	BALANCE RING
9	64210	EXTENSION, AGITATOR
12	21366	NUT, SPANNER
13	3956206	BASKET
14	63125	TUB
15	389140	BLOCK, BASKET DRIVE
16	383727	GASKET, CENTERPOST
17	3363657	HOSE, PRESSURE SWITCH
18	3354845	CLIP, AGITATOR
19	3355921	WASHER, AGITATOR
26	3949550	WASHER

**7MLBR7333MT0 MOTOR**



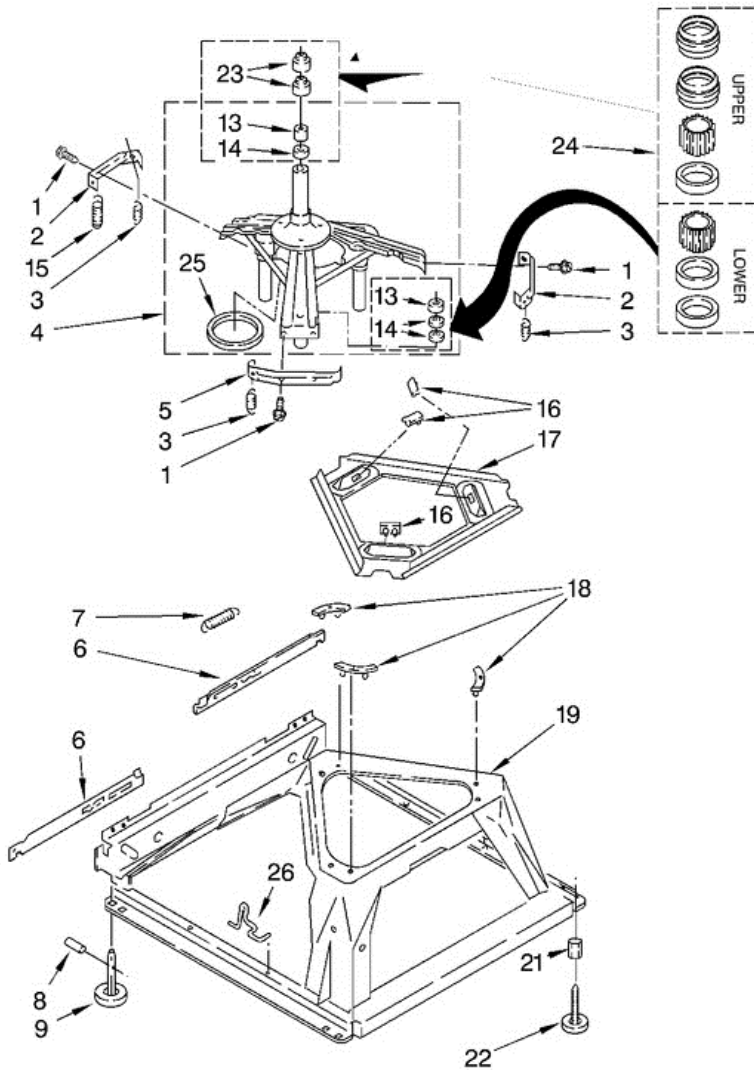




## 7MLBR7333MT0 MOTOR

1	388951	BRAKE & DRIVE TUBE (COMPLETE)
2	63292	WASHER, SPIN TUBE THRUST
3	62697	RING, SPIN TUBE SUPPORT
4	63283	RING, RETAINER
5	3951311	CLUTCH (COMPLETE)
6	3951308	BAND & LINING, CLUTCH (INCLUDES ILLUS. 7 & 8)
7	62646	CAP, CLUTCH SPRING (2)
8	3946792	SPRING, CLUTCH
9	8532118	GEARCASE (COMPLETE)
10	3357334	SCREW, GEARCASE TO BASE (3)
11	62611	PLATE, MOTOR MOUNT TO GEARCASE
12	62691	GROMMET, MOTOR (4)
13	285753	COUPLING, MOTOR AND ISOLATION COUPLING
14	8316060	SHIELD, MOTOR
16	3400516	SCREW
17	3349637	RETAINER, MOTOR (2)
18	3362089	SHIELD, TUB TO MOTOR
19	8528157	MOTOR, MAIN DRIVE
20	3952056	SWITCH, MAIN DRIVE MOTOR
21	62700	RETAINER, PUMP (2)
22	3363394	PUMP (COMPLETE)
25	3387485	SCREW (2) 10-16 X 5/8
26	3355454	CLIP, ANTI-RATTLE

**7MLBR7333MT0 BASE**

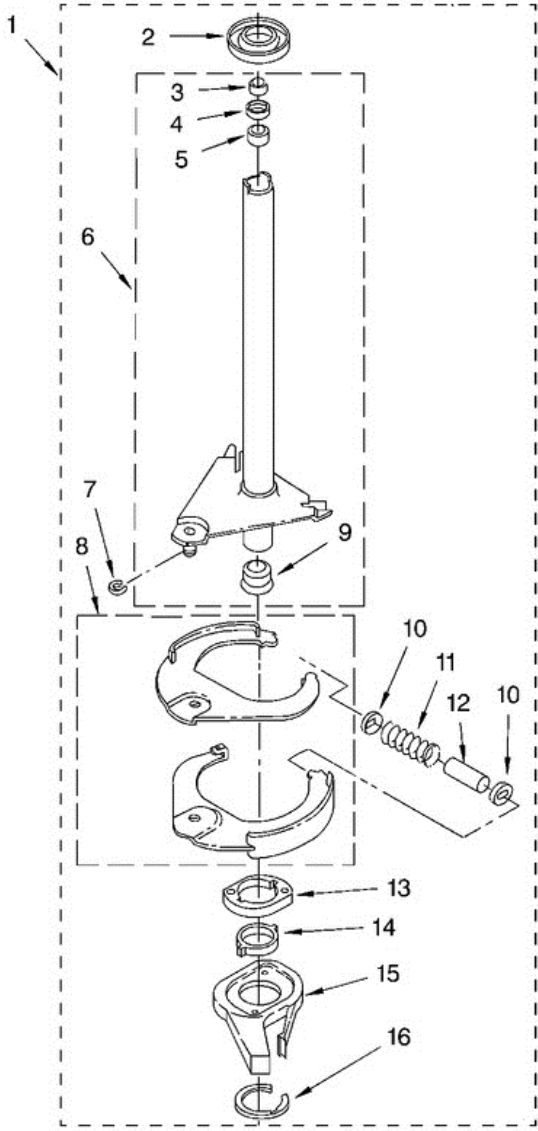




**7MLBR7333MT0 BASE**

1	3400076	SCREW, BRACKET MOUNTING (10-32 X 5/8)
2	64067	BRACKET, SPRING OUTER (2)
3	63907	SPRING (3)
4	3362087	SUPPORT & BRAKE, TUB
5	64065	BRACKET, SPRING OUTER (L.F.)
6	63138	LINK, LEVELING MECHANISM (2)
7	62597	SPRING, LEVELING MECHANISM
8	62837	PIN, KNURLED
9	62596	FOOT, REAR (2)
13	3347047	BEARING, CENTERPOST (2)
14	357409	SEAL, CENTERPOST (3)
15	388492	SPRING, COUNTERWEIGHT
16	62568	PAD, PLATE
17	3946509	PLATE, SUSPENSION (INCLUDES ILLUS. 16)
18	3363660	PAD, BASE
19	3349337	BASE ASSEMBLY (INCLUDES, 6, 7, 8, 9, 16, 17, 18 & 26)
21	3359452	NUT, LOCK (3/8-16) (2)
22	389102	FOOT, FRONT (2)
23	356934	SEAL, CENTERPOST (2)
24	285203	CENTERPOST BEARING KIT (INCLUDES 13, 14 & 23)
25	63134	RING, SOUND DEADENING
26	63806	RETAINER, SUSPENSION SPRING

**7MLBR7333MT0 FLECHA HUECA**

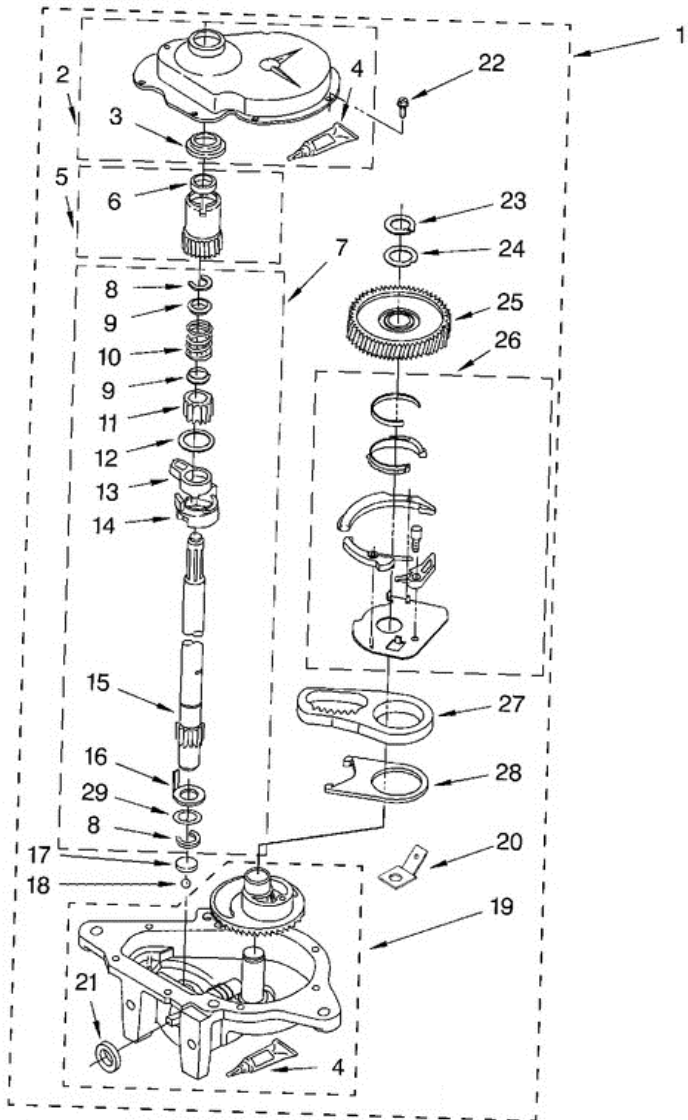




**7MLBR7333MT0 FLECHA HUECA**

1	388951	BRAKE AND DRIVE TUBE (COMPLETE)
2	62658	RING, THRUST
3	91939	SEAL. OIL
4	356427	SEAL, DRIVE TUBE
5	356937	SPACER, DRIVE TUBE
6	64027	TUBE, BASKET DRIVE (INCLUDES ILLUS. 3, 4, 5 & 9)
7	64035	RING, RETAINING
8	64232	BRAKE SHOE
9	62703	``T`` BEARING, SPIN TUBE
10	62648	CAP, BRAKE SPRING (2)
11	62647	SPRING, BRAKE
12	62909	SLEEVE, BRAKE SPRING
13	63023	CAM, BRAKE RELEASE
14	63022	SLEEVE, CAM
15	64194	DRIVER, BRAKE CAM
16	285208	LUBRICANT
16	90368	RING, RETAINING

**7MLBR7333MT0 TRANSMISION**

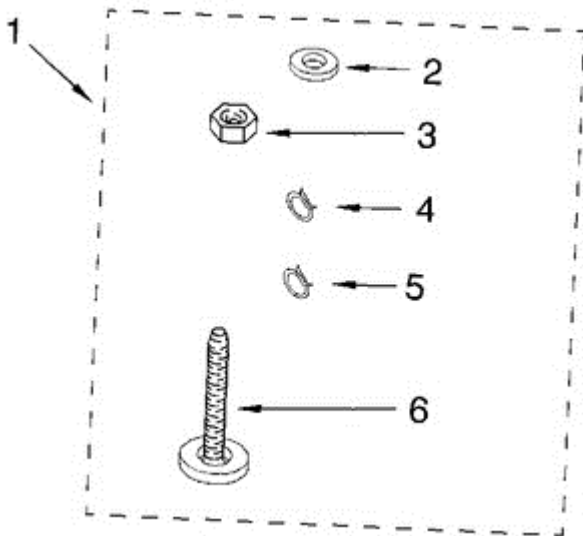




## 7MLBR7333MT0 TRANSMISION

1	8532118	GEARCASE (COMPLETE)
2	285202	COVER, GEARCASE
3	3349985	SEAL, GEARCASE COVER
4	285195	SEALER, GASKET (.20 FL. OZ.) (6 ML)
5	63320	PINION, SPIN (INCLUDES ITEM 25)
6	356427	SEAL, SPIN PINION
7	389387	SHAFT, AGITATOR (COMPLETE)
8	90369	RING, RETAINING (2)
9	62677	RETAINER, SPRING (2)
10	62676	SPRING, AGITATE
11	63273	GEAR, AGITATE (INCLUDES 15 & 29)
12	62619	WASHER, AGITATE GEAR
13	62580	CAM FOLLOWER (INCLUDES 14)
14	62581	CAM, AGITATE (INCLUDES 13)
15	285509	SHAFT, AGITATOR (INCLUDES 11 & 29)
16	62618	WASHER, CAM THRUST
17	16018	BEARING, THRUST (INCLUDES 18)
18	85529	BALL, BEARING (INCLUDES 17)
19	389230	BOTTOM AND PINION, GEARCASE
20	3949116	BLOCK TAB, TERMINAL
21	285352	SEAL, THRUST PLUG
22	3351614	SCREW, GEARCASE COVER MOUNTING (8)
23	3362552	RING, RETAINING
24	285735	WASHER KIT, THRUST
25	62570	GEAR, SPIN
26	388253	NEUTRAL ASSEMBLY
27	3349296	RACK, CONNECTING
28	62621	ACTUATOR, SHIFT
29	388815	WASHER, INTERMEDIATE

**7MLBR7333MT0 PATA**







7MLBR7333MT0 PATA

1	3976263	MISCELLANEOUS PARTS BAG
2	3976300	WASHER, INLET HOSE (1-1/16 X 5/8) (4)
3	3359452	NUT, LOCK (2) (3/8-16)
4	3366912	CLAMP, HOSE
5	3366913	CLAMP, HOSE
6	285195	SEALER, GASKET (.20 FL. OZ.) (6 ML)
6	285208	LUBRICANT
6	285320	SIPHON BREAK KIT
6	350572	OIL, GEARCASE (16 OZ.)
6	350938	PAINT, PRESSURIZED SPRAY (12 OZ.)(PRIMER, GREY)
6	367031	DRAIN PROTECTOR
6	389102	FOOT, FRONT (2)
6	4392899	PAINT, TOUCH-UP (1/2OZ.) (BISCUIT)
6	4392900	PAINT, BULK (1 QT.) (BISCUIT (UNCUT))
6	4392901	PAINT, PRESSURIZED SPRAY (12 OZ.) (BISCUIT)
6	N/A	ACCESSORY PARTS
6	N/A	LUBRICANT
6	N/A	OIL
6	N/A	SEALER