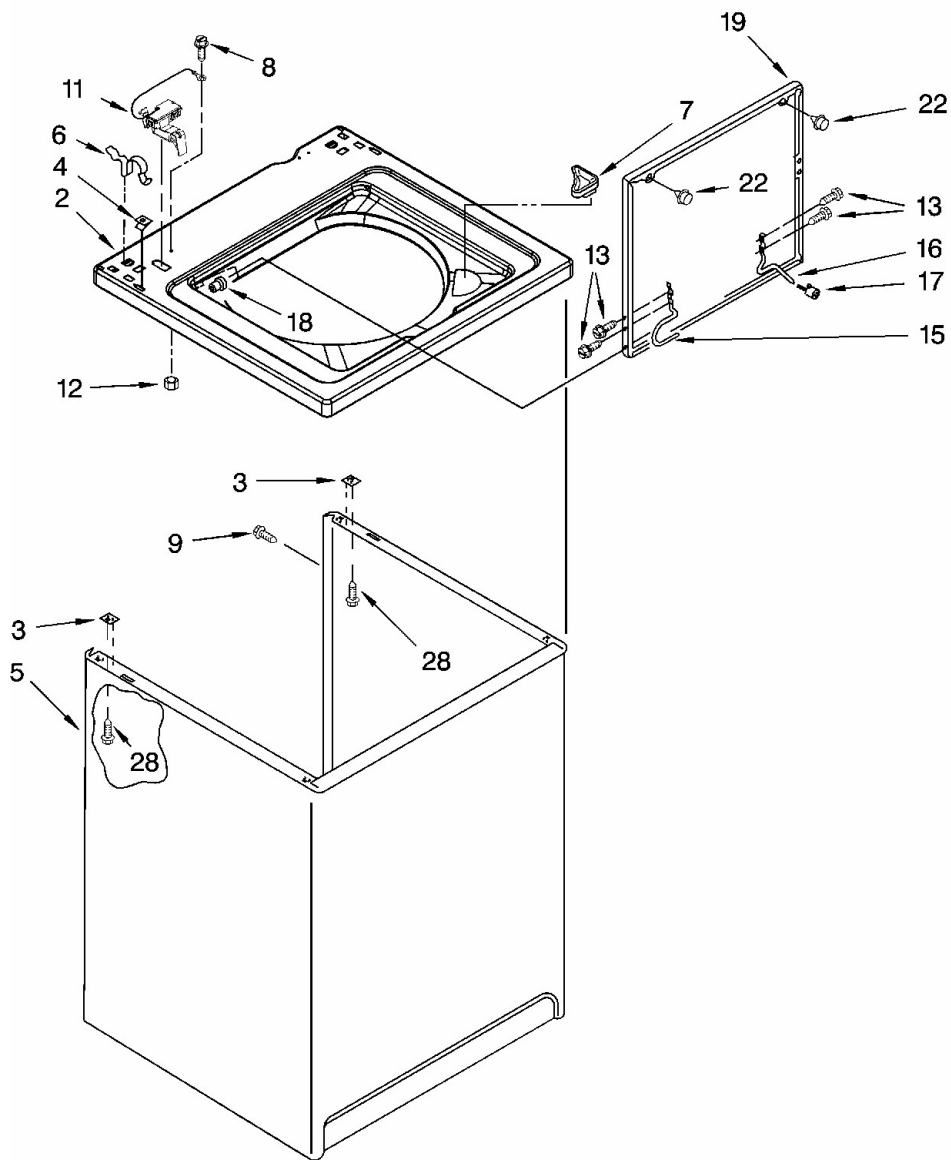


Distribuidor Autorizado

SurteRápido.com

Venta de Refacciones
Electrodomesticas

Lavadora Whirlpool 7MLBR8444PQ0





Lavadora Whirlpool 7MLBR8444PQ0

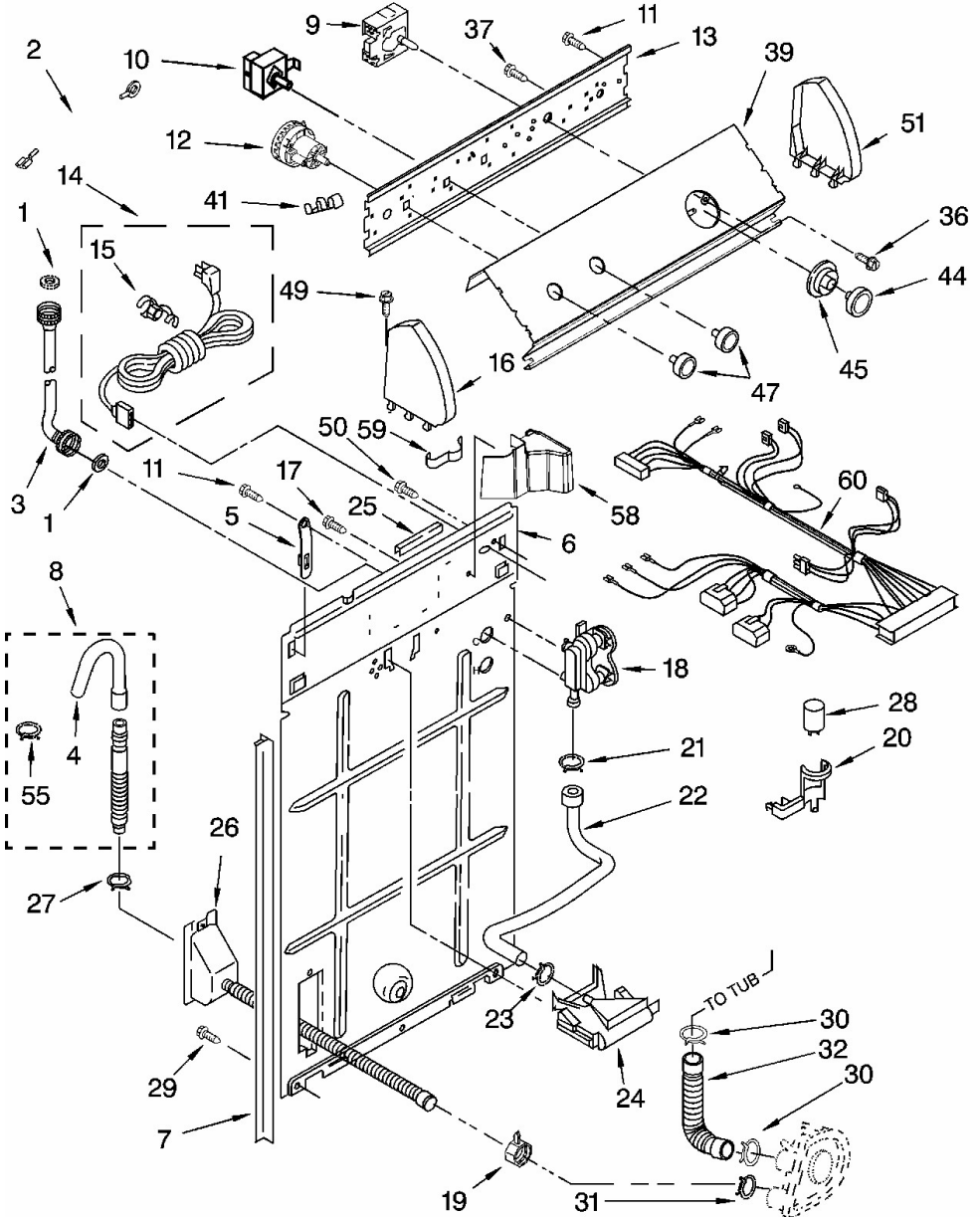
| No. Ilus. | DESCRIPCIÓN | No. de Parte |
|------------------|--------------------------------------|---------------------|
| 2 | Top (White) | 8541617 |
| | Top (Biscuit) | 8541619 |
| 3 | Spacer, Cabinet To Top (4) | 62750 |
| 4 | Nut, Push-In | 357213 |
| 5 | Cabinet (White) | 63128 |
| | Cabinet (Biscuit) | 3954777 |
| 6 | Clip, Top & Cabinet & Rear Panel (2) | 62780 |
| 7 | Dispenser, Bleach | 3362952 |
| 8 | Screw, Ground | 3351614 |
| 9 | Screw, 10-16 x 1/2 | 308685 |
| 11 | Switch, Lid | 8318084 |
| 12 | Nut, Hex | 680762 |
| 13 | Screw, Lid Hinge Mounting (4) | 355274 |
| 15 | Hinge, Lid (L.H.) | 8318088 |
| 16 | Hinge, Lid (R.H.) | 54583 |
| 17 | Bumper, Lid Hinge | 19119 |
| 18 | Bearing, Lid Hinge (2) | 21258 |
| 19 | Lid (White) | 8557513 |
| | Lid (Biscuit) | 8557514 |
| 22 | Bumper, Lid (2) | 9724509 |
| 28 | Screw, 10-16 x 3/8 (4) | 9420601 |

Distribuidor Autorizado

SurteRápido.com

Venta de Refacciones
Electrodomesticas

Lavadora Whirlpool 7MLBR8444PQ0





Lavadora Whirlpool 7MLBR8444PQ0

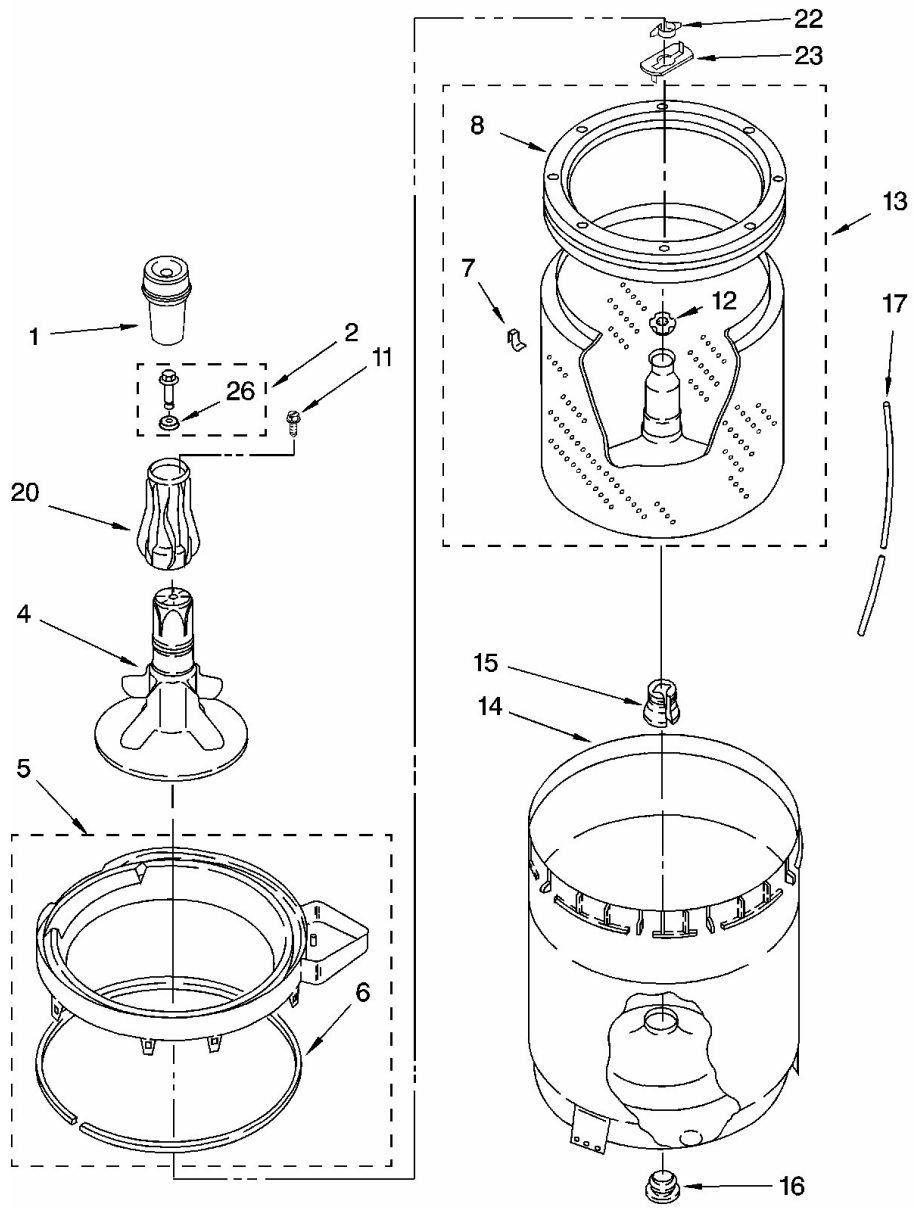
| No. Ilus. | DESCRIPCIÓN | No. de Parte |
|------------------|------------------------------------|---------------------|
| 1 | Washer, Water Inlet Hose (4) | 16123 |
| 2 | Wire, Ground | 3395559 |
| 3 | Hose, Water Inlet (Red) | 89503 |
| | Hose, Water Inlet (Blue) | 89503 |
| 4 | Nozzle-Drain Hose | 3357027 |
| 5 | Strap, Console (2) | 8318255 |
| 6 | Panel, Rear | 8318407 |
| 7 | Pad, Rear Panel | 62747 |
| 8 | Hose, Drain (4 Ft.) | 285664 |
| | Hose, Drain (9 Ft.) (Not Included) | 285666 |
| | Extension, Drain Hose (21 Inches) | 285702 |
| 9 | Timer, Control (50 Hz.) | 3951603 |
| 10 | Switch, Water Temperature | 661614 |
| 11 | Screw, 8-18 x 3/8 | 90767 |
| 12 | Switch, Water Level | 3366847 |
| 13 | Bracket, Control | 3948814 |
| 14 | Cord, Power | 8532158 |
| 15 | Strain Relief, Power Cord | 285777 |
| 16 | Cap, End (L.H.) (White) | 279962 |
| | Cap, End (L.H.) (Biscuit) | 8314852 |
| 17 | Screw, 8-18 x 1/2 | 9740848 |
| 18 | Valve, Water Mixing | 285805 |
| 19 | Clamp, Hose | 3976395 |
| 20 | Clip, Capacitor | 8318046 |
| 21 | Clamp, Hose | 596669 |
| 22 | Hose, Vacuum Break | 3357328 |
| 23 | Clamp, Hose | 596669 |
| 24 | Break, Vacuum | 3347034 |



Lavadora Whirlpool 7MLBR8444PQ0

| No. Ilus. | DESCRIPCIÓN | No. de Parte |
|------------------|-----------------------------------|---------------------|
| 25 | Edge Protector | 3367669 |
| 26 | Assembly, Drain Hose | 8317940 |
| 27 | Clamp, Hose | 356138 |
| 28 | Capacitor | 661606 |
| 29 | Screw, 10-16 x 3/8 | 9420601 |
| 30 | Clamp, Hose | 616099 |
| 31 | Clamp, Hose | 285655 |
| 32 | Hose, Pump To Tub | 285871 |
| 36 | Screw, Timer Mounting | 3400818 |
| 37 | Screw, Ground | 3179795 |
| 39 | Panel, Console (White) | 8539634 |
| | Panel, Console (Biscuit) | 8539614 |
| 41 | Clip, Grounding | 357572 |
| 44 | Knob, Timer (White) | 8544943 |
| | Knob, Timer (Biscuit) | 8271347 |
| 45 | Dial, Timer (White) | 8544947 |
| | Dial, Timer (Biscuit) | 8271370 |
| 47 | Knob, Control (White) | 8544935 |
| | Knob, Control (Biscuit) | 8271348 |
| | Spring Clip Knob | 8536939 |
| 49 | Screw, 8-18 x 1.25 (Panel to Top) | 388326 |
| 50 | Screw, Ground | 3351614 |
| 51 | Cap, End (R.H.) (White) | 279962 |
| | Cap, End (R.H.) (Biscuit) | 8314851 |
| 55 | Clamp, Drain Hose | 3357331 |
| 58 | Shield, Inlet Valve | 8314879 |
| 59 | Clip, Harness | 8528351 |
| 60 | Harness, Wiring | 3956739 |

Lavadora Whirlpool 7MLBR8444PQ0

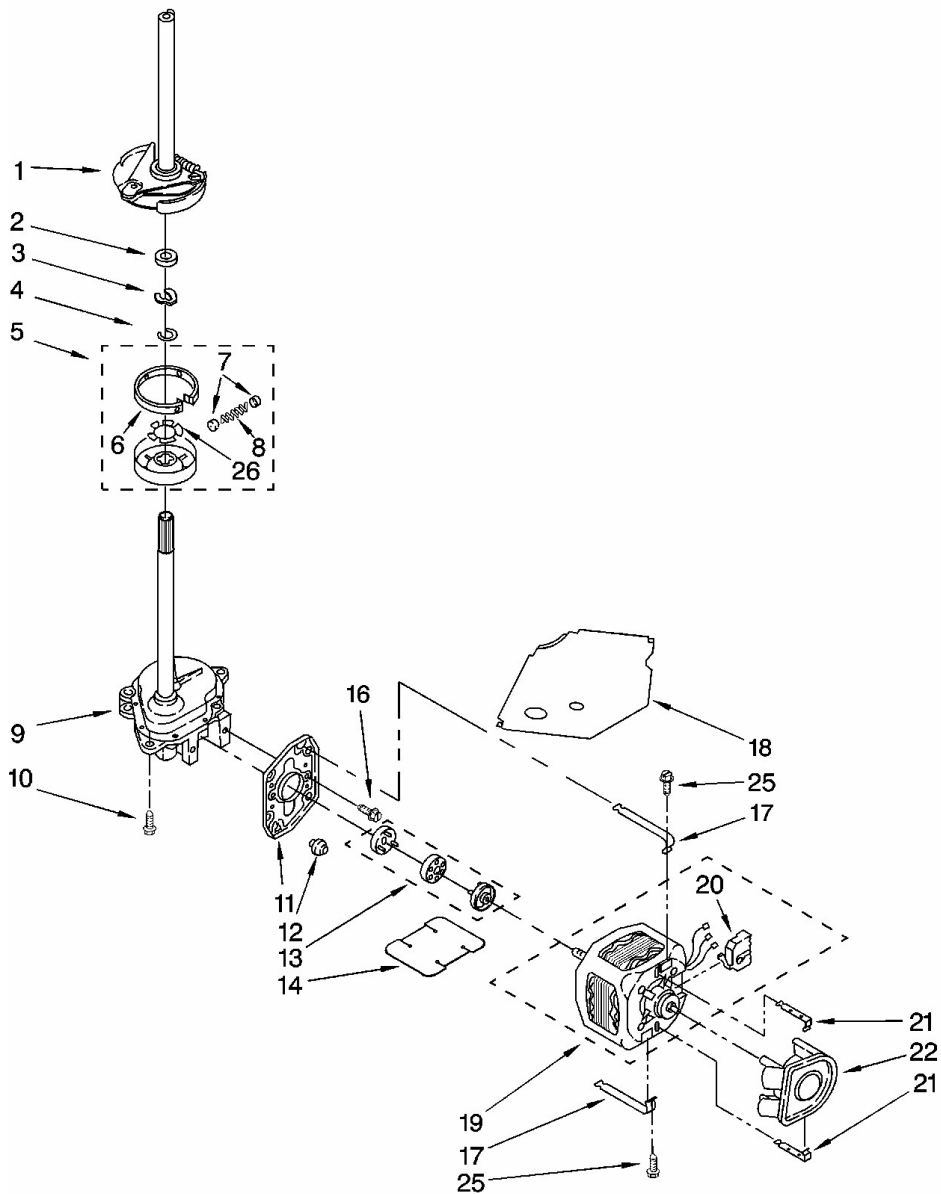


Distribuidor Autorizado

SurteRápido.com

Venta de Refacciones
Electrodomesticas

Lavadora Whirlpool 7MLBR8444PQ0





Lavadora Whirlpool 7MLBR8444PQ0

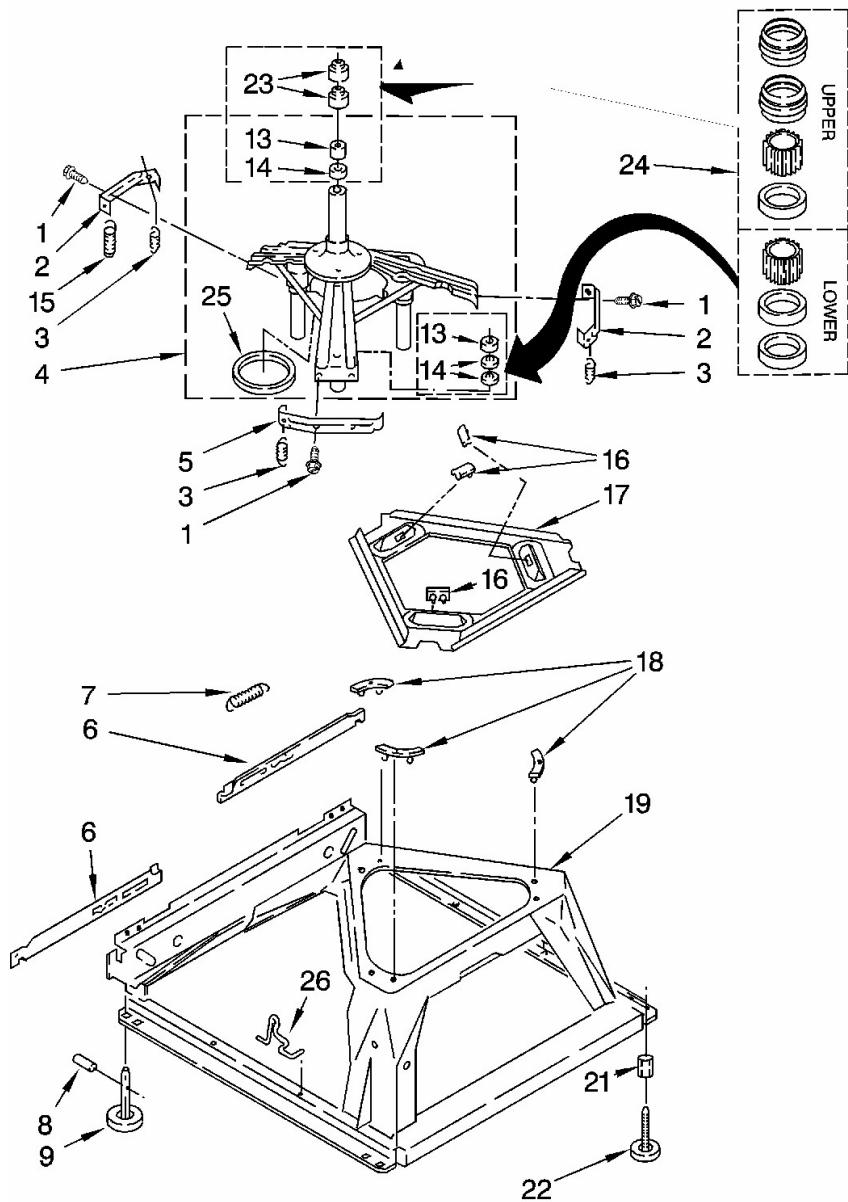
| No. Ilus. | DESCRIPCIÓN | No. de Parte |
|------------------|---|---------------------|
| 1 | Brake & Drive Tube (Complete) | 285792 |
| 2 | Washer, Spin Tube Thrust | 63292 |
| 3 | Ring, Spin Tube Support | 62697 |
| 4 | Ring, Retainer | 285353 |
| 5 | Clutch (Complete) | 285785 |
| 6 | Band & Lining, Clutch | 285790 |
| 7 | Cap, Clutch Spring (2) | 62646 |
| 8 | Spring, Clutch | 3946792 |
| 9 | Gearcase (Complete) | 8532118 |
| 10 | Screw, Gearcase To Base (3) | 3400516 |
| 11 | Plate, Motor Mount To Gearcase | 62611 |
| 12 | Grommet, Motor (4) | 62691 |
| 13 | Coupling, Motor And Isolation Coupling | 285753 |
| 14 | Shield, Motor | 3946532 |
| 16 | Screw | 3400516 |
| 17 | Retainer, Motor (2) | 3349637 |
| 18 | Shield, Tub To Motor | 3362316 |
| 19 | Motor, Main Drive | 389248 |
| 20 | Switch, Main Drive Motor | 3952056 |
| 21 | Retainer, Pump (2) | 8546127 |
| 22 | Pump (Complete) | 3363394 |
| 25 | Screw (2) 10-16 x 5/8 | 273556 |
| 26 | Clip, Anti-Rattle | 3355454 |

Distribuidor Autorizado

SurteRápido.com

Venta de Refacciones
Electrodomesticas

Lavadora Whirlpool 7MLBR8444PQ0

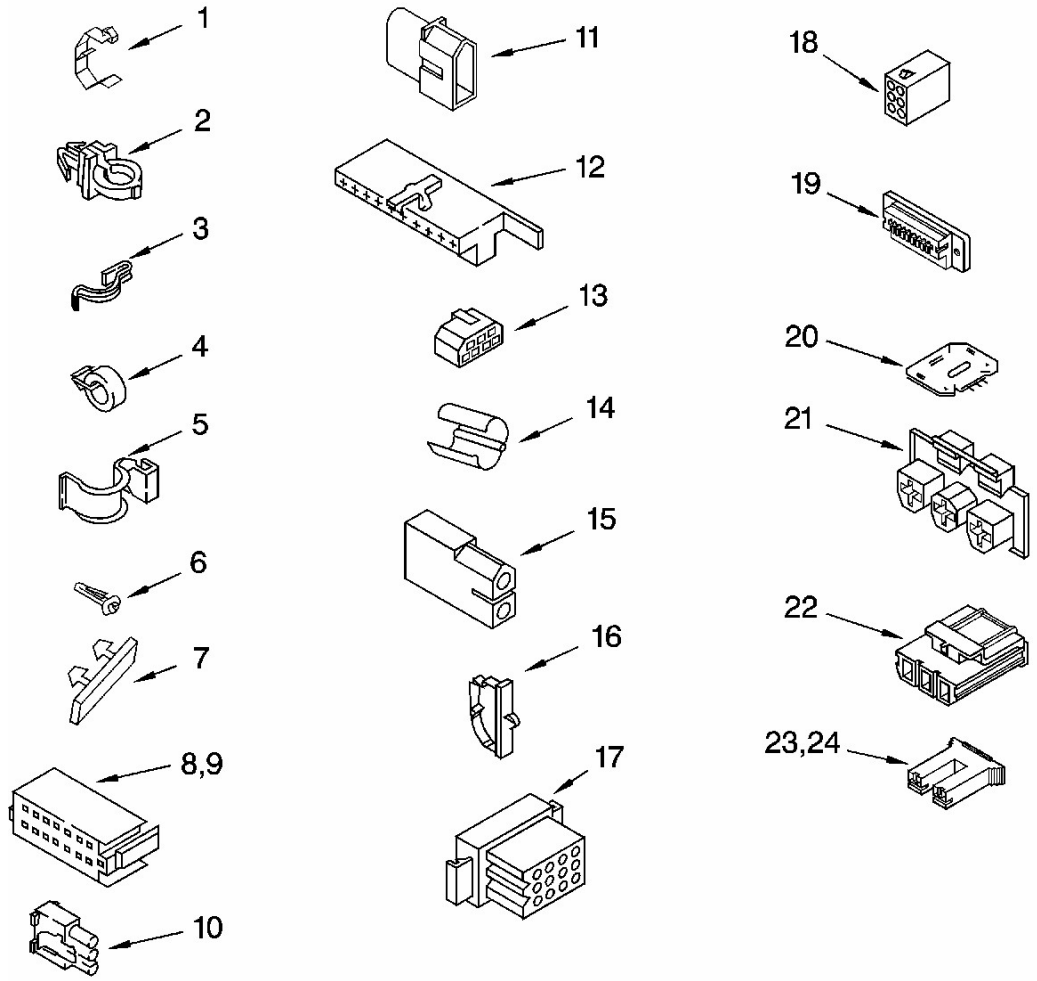




Lavadora Whirlpool 7MLBR8444PQ0

| No.Illus. | DESCRIPCIÓN | No. de Parte |
|------------------|--|---------------------|
| 1 | Screw, Bracket Mounting (10-32 x 5/8) | 3400076 |
| 2 | Bracket, Spring Outer (2) | 64067 |
| 3 | Spring (3) | 63907 |
| 4 | Support & Brake, Tub | 3362087 |
| 5 | Bracket, Spring Outer (L.F.) | 64065 |
| 6 | Link, Leveling Mechanism (2) | 63138 |
| 7 | Spring, Leveling Mechanism | 8316845 |
| 8 | Pin, Knurled | 62837 |
| 9 | Foot, Rear (2) | 285244 |
| 13 | Bearing, Centerpost (2) | 359398 |
| 14 | Seal, Centerpost (3) | 359449 |
| 15 | Spring, Counterweight | 388492 |
| 16 | Pad, Plate | 285219 |
| 17 | Plate, Suspension (Includes Illus. 16) | 3946509 |
| 18 | Pad, Base | 285744 |
| 19 | Base Assembly (6,7,8,9,16,17,18,26) | 285459 |
| 21 | Nut, Lock (3/8-16) (2) | 3359452 |
| 22 | Foot, Front (2) | 389102 |
| 23 | Seal, Centerpost (2) | 356934 |
| 24 | Centerpost Bearing Kit | 285203 |
| 25 | Ring, Sound Deadening | 63134 |
| 26 | Retainer, Suspension Spring | 63806 |

Lavadora Whirlpool 7MLBR8444PQ0

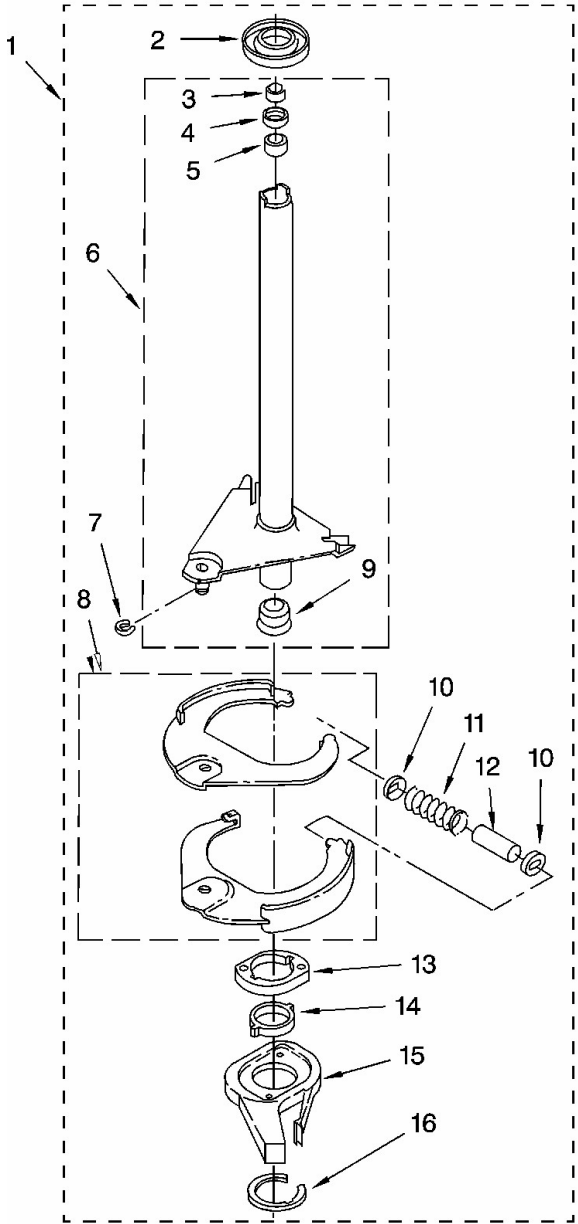




Lavadora Whirlpool 7MLBR8444PQ0

| No. Ilus. | DESCRIPCIÓN | No. de Parte |
|------------------|--------------------------------------|---------------------|
| 1 | Clip, Harness | 3349557 |
| 2 | Clip, Harness | 388498 |
| 3 | Clip, Harness | 8528351 |
| 4 | Clip, Harness | 3348535 |
| 5 | Clip, Harness | 90016 |
| 6 | Clip, Harness | 8281256 |
| 7 | Retainer, (Suds Models) | 389379 |
| 8 | Timer, Block Disconnect (White) | 3948614 |
| 9 | Timer, Block Disconnect (Black) | 352089 |
| 10 | Receptacle, Terminal (3-Way) | 62889 |
| 11 | Plug, Terminal (3-Way) | 353424 |
| 12 | Block, Disconnect (Motor 2 Speed) | 62505 |
| 13 | Block, Disconnect (Use Term. 352088) | 3347243 |
| 14 | Protector | 63523 |
| 15 | Connector (2-Way) (Use Term.94614) | 717252 |
| 16 | Clip, Harness | 3352944 |
| 17 | Block, Disconnect (12-Way) (Timer) | 3390423 |
| 18 | Receptacle (6-Way) (Use Term. 94613) | 3347730 |
| 19 | Connector, Etc | 3349494 |
| 20 | E.T.C. Control | 3955728 |
| 21 | Connector (T.P.A.) (Lid Switch) | 3948617 |
| 22 | Connector (T.P.A) (Pressure Switch) | 3360056 |
| 23 | Block, Connector (Cold Valve) | 3354925 |
| 24 | Block, Connector (Hot Valve) | 3354926 |

Lavadora Whirlpool 7MLBR8444PQ0





Lavadora Whirlpool 7MLBR8444PQ0

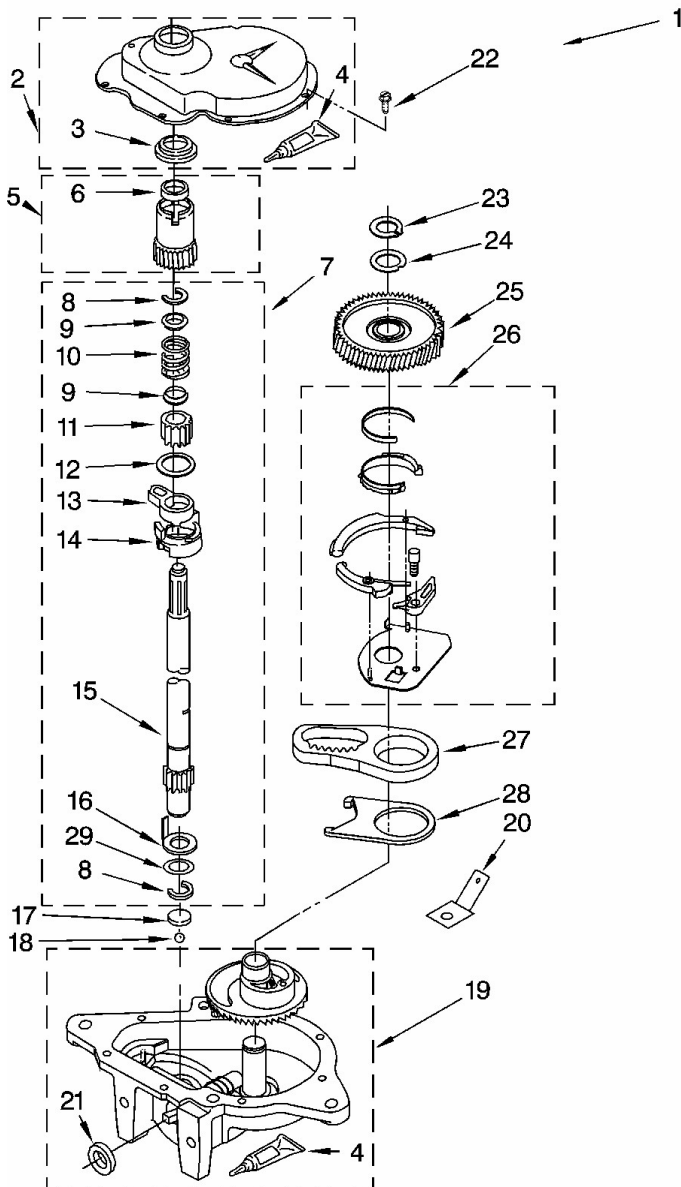
| No. Ilus. | DESCRIPCIÓN | No. de Parte |
|------------------|---------------------------------------|---------------------|
| 1 | Brake And Drive Tube (Complete) | 285792 |
| 2 | Ring, Thrust | 62658 |
| 3 | Seal, Oil | 91939 |
| 4 | Seal, Drive Tube | 356427 |
| 5 | Spacer, Drive Tube | 356937 |
| 6 | Tube, Basket Drive (lus. 3, 4, 5 & 9) | 64208 |
| 7 | Ring, Retaining | 64035 |
| 8 | Brake Shoe | 285438 |
| 9 | “T” Bearing, Spin Tube | 62703 |
| 10 | Cap, Brake Spring (2) | 285658 |
| 11 | Spring, Brake | 62647 |
| 12 | Sleeve, Brake Spring | 285658 |
| 13 | Cam, Brake Release | 661516 |
| 14 | Sleeve, Cam | 63022 |
| 15 | Driver, Brake Cam | 285790 |
| 16 | Ring, Retaining | 90368 |

Distribuidor Autorizado

SurteRápido.com

Venta de Refacciones
Electrodomesticas

Lavadora Whirlpool 7MLBR8444PQ0

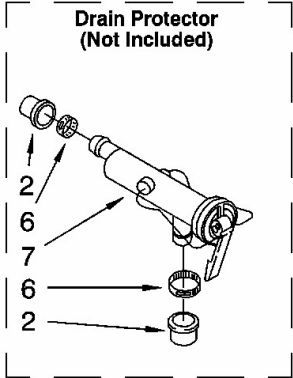
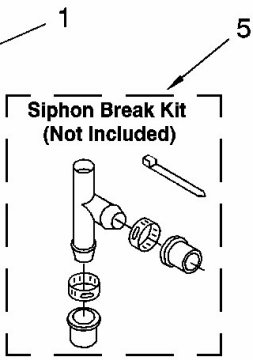
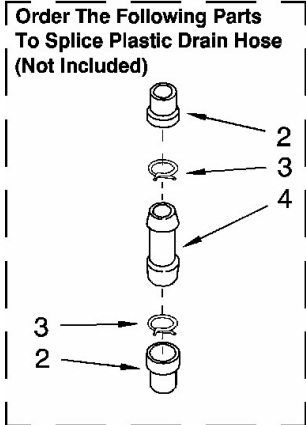




Lavadora Whirlpool 7MLBR8444PQ0

| No. Ilus. | DESCRIPCIÓN | No. de Parte |
|------------------|-------------------------------------|---------------------|
| 1 | Gearcase (Complete) | 8532118 |
| 2 | Cover, Gearcase | 285202 |
| 3 | Seal, Gearcase Cover | 3349985 |
| 4 | Sealer, Gasket (.20 Fl. Oz.) (6 ml) | 285195 |
| 5 | Pinion, Spin (Includes Illus. 25) | 285362 |
| 6 | Seal, Spin Pinion | 356427 |
| 7 | Shaft, Agitator (Complete) | 389387 |
| 8 | Ring, Retaining (2) | 90369 |
| 9 | Retainer, Spring (2) | 62677 |
| 10 | Spring, Agitate | 62676 |
| 11 | 11 63273 (Includes 15 & 29) | 285509 |
| 12 | 12 62619 Gear | 62619 |
| 13 | Follower, Cam Washer, Agitate | 285206 |
| 14 | 14 62581 (Includes 13) Cam, Agitate | 285206 |
| 15 | Shaft, Agitator (Includes 11 & 29) | 285509 |
| 16 | Washer, Cam Thrust | 62618 |
| 17 | Bearing, Thrust (Includes 18) | 285205 |
| 18 | Ball, Bearing (Includes 17) | 285205 |
| 19 | Bottom and Pinion, Gearcase | 285515 |
| 20 | Block Tab, Terminal | 3949116 |
| 21 | Seal, Thrust Plug | 285352 |
| 22 | Screw, Gearcase Cover Mounting | 3351614 |
| 23 | Ring, Retaining | 285765 |
| 24 | Washer Kit, Thrust | 285766 |
| 25 | Gear, Spin | 285362 |
| 26 | Neutral Assembly | 388253 |
| 27 | Rack, Connecting | 3949609 |
| 28 | Actuator, Shift | 62621 |
| 29 | Washer, Intermediate | 388815 |

Lavadora Whirlpool 7MLBR8444PQ0



| No.Ilus. | DESCRIPCIÓN | No. de Parte |
|-----------------|-----------------------------------|---------------------|
| 1 | Connector Kit, Plastic Drain Hose | 285442 |
| 2 | Sleeve Kit, (Contains 2 Sleeves) | 285321 |
| 3 | Clamp, Hose | 285655 |
| 4 | Connector, Straight | 16272 |
| 5 | Siphon Break Kit (Not Included) | 285320 |
| 6 | Clamp, Hose | 285655 |
| 7 | Drain Protector (Not Included) | 367031 |