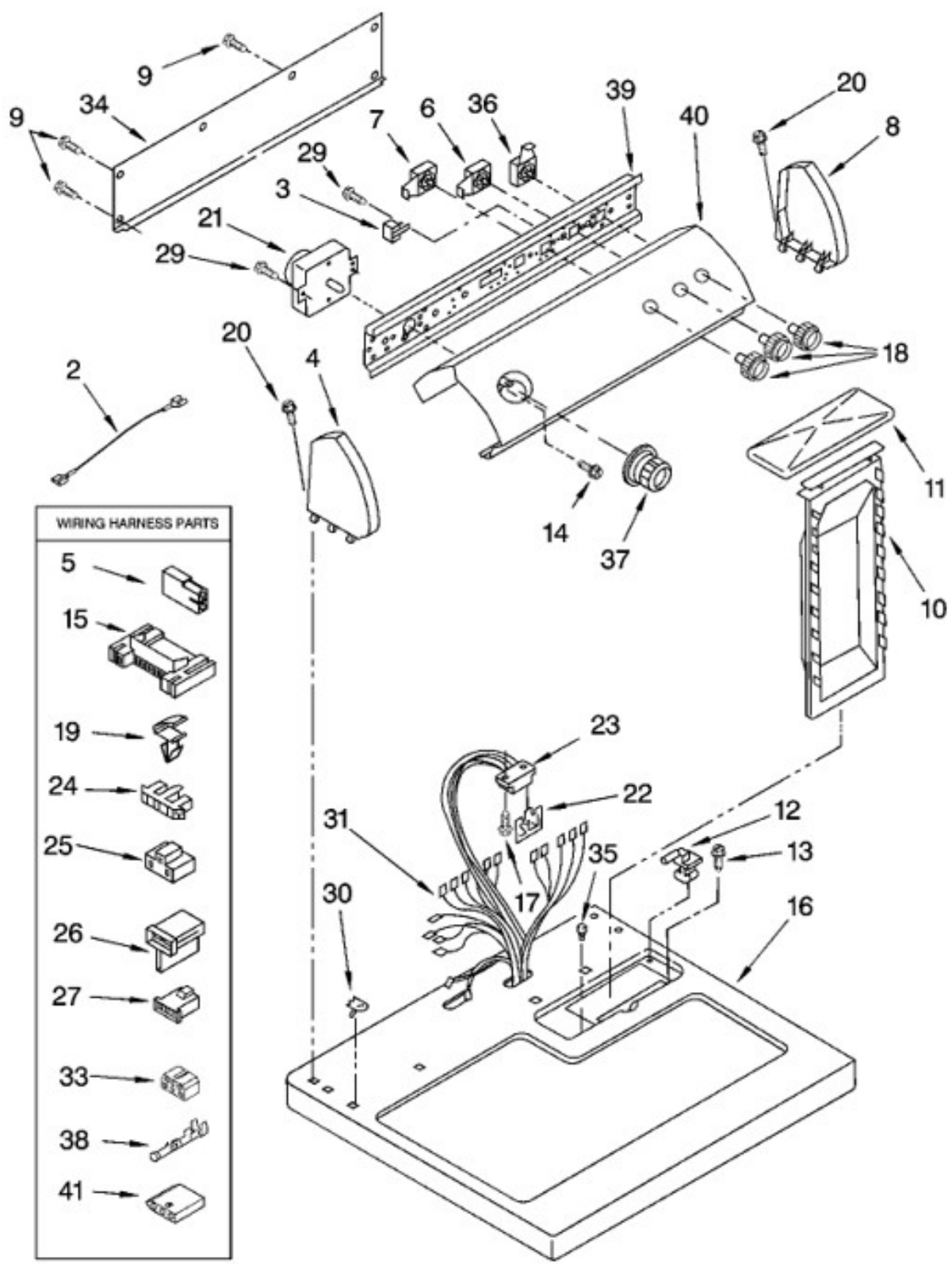
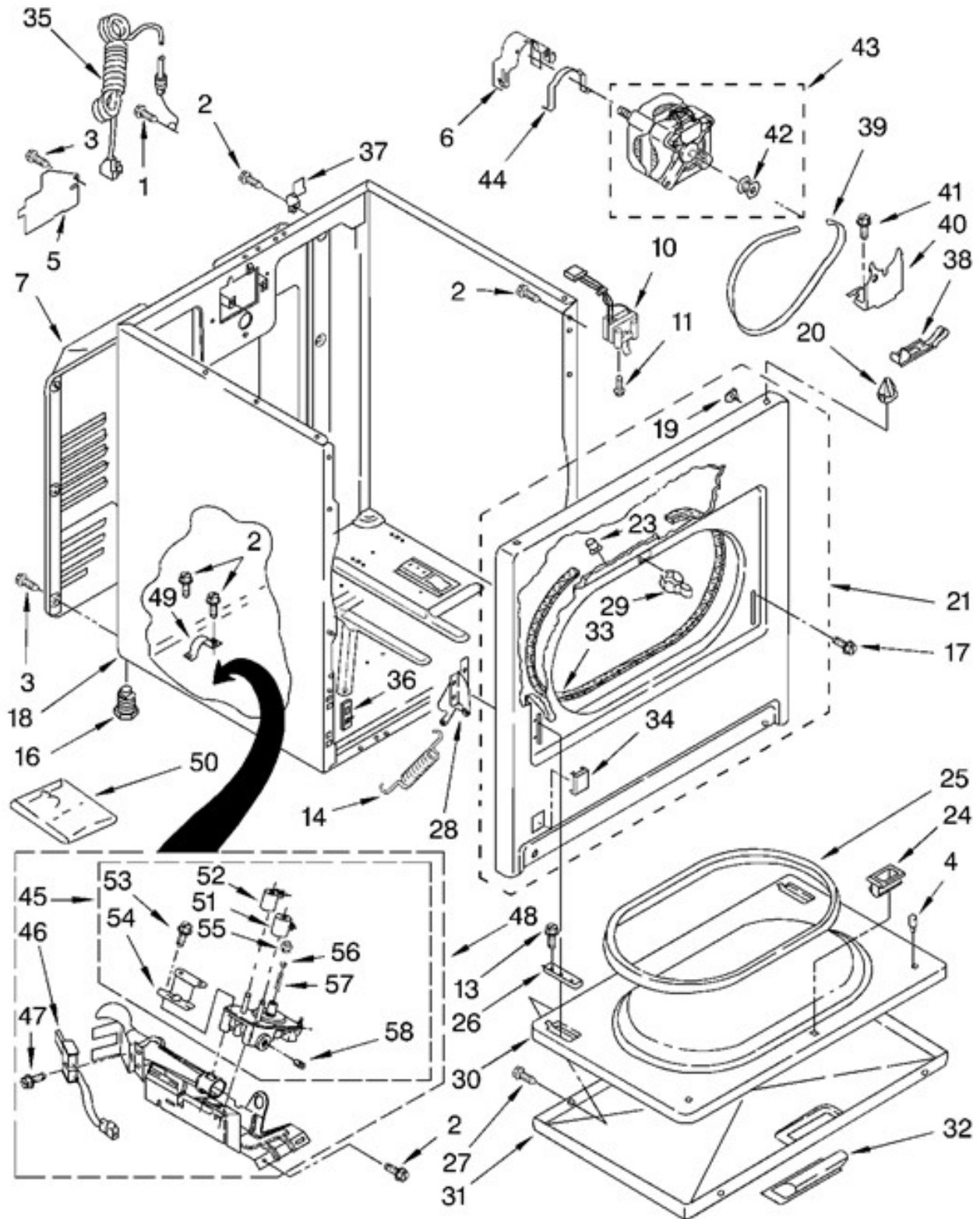




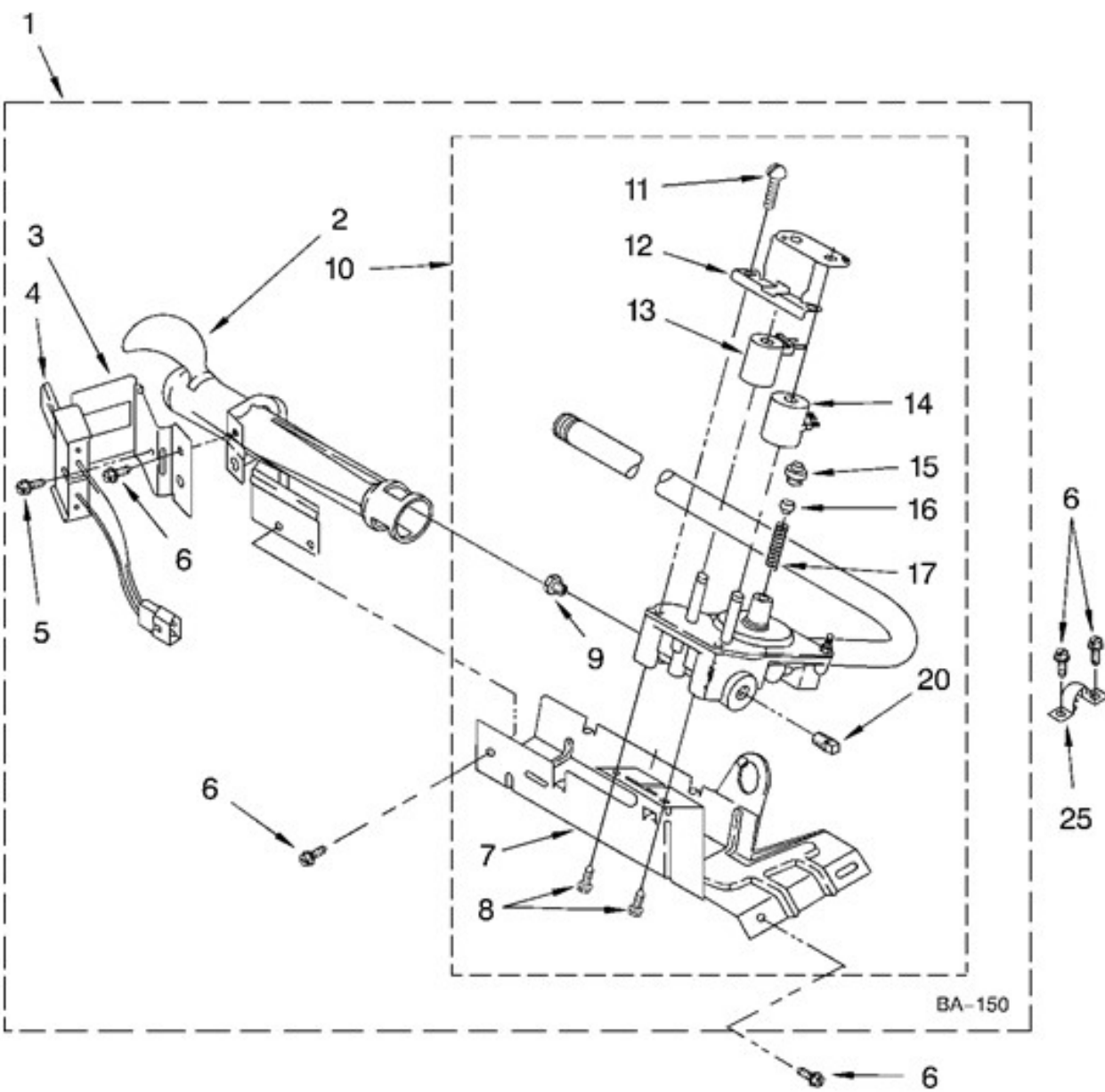
SECADORA 7MLGQ8000JQ5

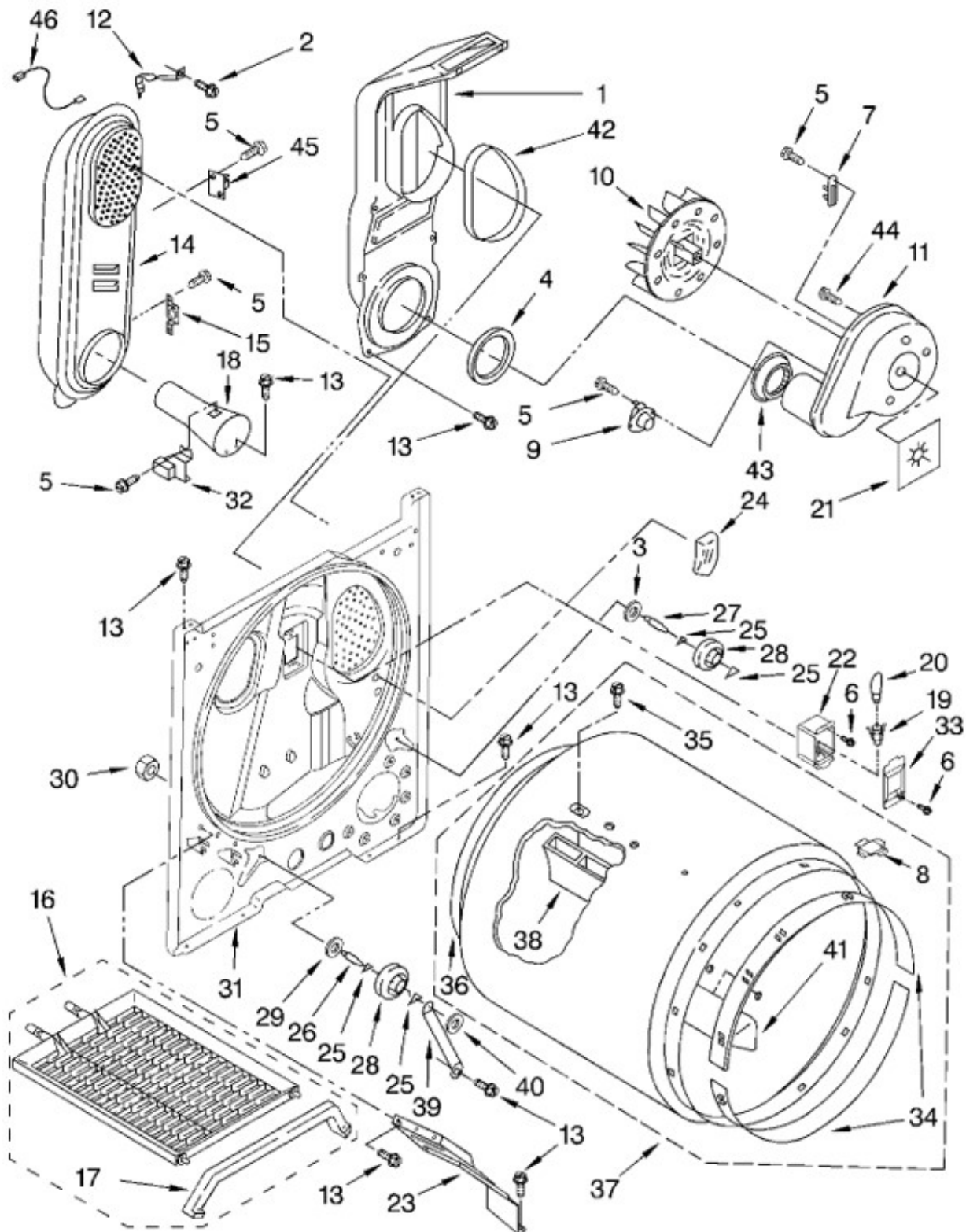






SECADORA 7MLGQ8000JQ5





R e f	Descripción	C a n t	7MLGQ8000JQ5
TOP AND CONSOLE			
2	Wire, Jumper (Black)	1	3401684
3	Buzzer, Mini	1	694419
4	Cap, End (L.H.)	1	279962
5	Plug, 2-Way Terminal	1	717252
6	Switch, Finish Guard	1	3405154
7	Switch, Temperature	1	8316736
8	Cap, End (R.H.)	1	279962
9	Screw, Hex Washer Head	1	489069
10	Handle & Lint Screen Assembly	1	349639
11	Cover, Lint Screen	1	8283378
12	Hinge, R.H.	1	3978605
	Hinge, L.H.	1	3978606
13	Screw, 8-18 x 5/8	1	487240
14	Screw, Grounding	1	3400859
15	Connector (Motor)	1	3395683
16	Top	1	8521918
17	Screw, 10-16 x 1/2	1	681414
18	Knob, Control (3)	3	8271339
19	Clip-Harness	1	3394427
20	Screw, Console	1	388326
21	Timer Assembly (60 Hz.)	1	3406725
22	Control, Electronic	1	3390537
23	Connector, Edge	1	3391885
24	Connector-Timer	1	3397269
25	Connector, (PTS Relay)	1	3401144
26	Connector, 2-Position (Gas Valve)	1	3403499
27	Connector, 3-Position (Gas Valve)	1	3403498
29	Screw, 8-18 x 5/16	1	3390646
30	Nut, Push-In (2)	2	357213
31	Harness, Wiring	1	8299890
33	Connector 6-Circuit	1	3347243
34	Panel, Rear Console	1	8274261
35	Bumper, Lint Lid	1	17258
36	Switch, Push-To-Start	1	3398095
37	Timer Knob Assembly	1	8312687
38	Terminal, Female	1	94614
39	Bracket, Control	1	8271418
40	Panel, Control	1	3977826
41	Connector	1	3936144

CABINET			
1	Screw, 10-32 x 5/8 (External Ground)	1	4331106
2	Screw, 10-16 x 1/2	1	681414
3	Screw, Hex Head	1	489069
4	Bracket, Cabinet	1	8541400
5	Cover, Block	1	3396795
6	Clamp, Motor (W/Shield)	1	3404162
7	Panel, Rear	1	280043
8	Clip, Door Spring	1	8546676
10	Door Switch Assembly	1	3406107
11	Screw, 6-20 x 7/8	1	3395530
13	Screw, 10-16 x 1/2	1	308685
14	Spring, Door (2)	2	8541401
16	Foot, Dryer	1	3392100
	Foot-Optional (Extended Length) (Package of 2) (Not Included.)	1	279810
17	Screw, 10-32 x 3/8	1	486146
18	Cabinet (Includes Illus. 4)	1	8533643
19	Clip, Ground (2)	2	98234
20	Lock, Front Top (2)	2	18776
21	Panel Front	1	279740
23	Clip, Felt Pad (2)	2	279220
24	Catch, Door Assembly	1	3389441
25	Seal, Door	1	3390731
26	Clip, Hinge (2)	2	337189
27	Screw, 8-18 x 3/8	1	694091
28	Hinge, R.H.	1	8066056
	Hinge, L.H.	1	8066057
29	Strike, Panel	1	279570
30	Door, Rear	1	695737
31	Door, Front	1	3393549
32	Handle, Door	1	690270
33	Seal & Bearing Assembly	1	3406129
34	Plug, Front Panel	1	3394975
35	Cord, Power	1	3401402
36	Clip, Front Panel	1	3394083
37	Hinge, Top (2)	2	238088
38	Idler & Pulley Assembly	1	691366
39	Belt, Drive	1	341241
40	Base, Motor	1	687079
41	Bolt, 5/16-18 x 3/4	1	3400500
42	Pulley, 60 Hz.	1	3394341
43	Motor Assembly 60 Hz.	1	279827
44	Clamp, Motor	1	343481
48	Burner Assembly, 60 Hz. (See Pages 7 & 8 For Further	1	8318272
49	Clamp, Pipe	1	341029

BURNER ASSEMBLY			
1	Burner Assembly 60 Hz. (Type 1) (White Rodgers)	1	279990
2	Tube, Burner	1	693140
3	Bracket, Ignitor	1	694298
4	Ignitor	1	279311
5	Screw & Washer (8-32 x 5/8)	1	3393909
6	Screw, 10-16 x 1/2	1	681414
7	Base, Burner	1	693986
8	Screw, 8-18 x 3/8	1	90767
9	Orifice, Burner (Type 1)	1	234826
	Orifice, Burner (Type 4 (Butane))	1	229742
	Orifice, Burner (Type 4 (Propane))	1	234868
10	Valve, 60 Hz. (Includes Pipe & Illus. 7)	1	8318277
11	Screw, 8-32 x 1/2 (2)	2	694421
12	Bracket, Coil	1	694538
13	Coil, 60 Hz. (2 Terminal) (Main)	1	694540
14	Coil, 60 Hz. (Split) (3 Terminal) (Pilot Position)	1	694539
15	Leak Limiter	1	694424
16	Screw, Regulator Adjustment	1	694423
17	Spring, Regulator	1	694422
20	Plug, Pipe	1	239822
25	Clamp, Pipe	1	341029
	Conversion Kit (Type 1) to Type (4) L.P.G.	*	49572
BULKHEAD			
1	Lint Chute Assembly	1	3396352
2	Screw, 8-18 x 5/8	1	489463
3	Washer-Support	1	3388703
4	Seal, Lint Chute	1	347139
5	Screw, 8-18 x 3/8	1	90767
6	Screw, 8-15 x 1/2	1	488729
7	Fuse, Thermal	1	3392519
8	Drum Hole Plug	1	8066086
9	Thermostat, Internal-Bias	1	8318268
10	Wheel, Blower (Includes Illus. 21)	1	279711
11	Housing, Blower	1	8557384
12	Clip	1	279771
13	Screw, 10-16 x 1/2	1	681414
14	Box, Heater	1	279980
15	Thermostat, 205 F (96 C)	1	3403140
16	Dry Rack Assembly	1	3406839
17	Bracket, Dry Rack	1	692989
18	Funnel, Burner	1	8066049
19	Socket Assembly	1	3403634
20	Bulb	1	17512
21	Seal, Blower	1	3394196
22	Bracket, Drum Light	1	3977373

23	Bracket, Bulkhead	1	3406022
24	Pad, Sensor	1	279366
25	Ring, Tri	1	690997
26	Shaft, L.H.	1	3399506
27	Shaft, R.H.	1	339489
28	Roller, Support	1	349241T
29	Washer, Support	1	348197
30	Nut, 3/8-16	1	3359452
31	Bulkhead	1	3403414
32	Sensor, Radiant	1	338906
33	Lens, Drum Light	1	8532165
34	Ring, Bearing	1	279441
35	Screw, 11-16 x 3/4	1	63027
36	Seal, Rear Drum	1	279857
37	Drum Assembly	1	695587
38	Baffle, Drum (2)	2	692490
39	Bracket, Support	1	3976434
40	Clip	1	90296
41	Baffle, Drum (1)	1	3403636
42	Seal	1	339956
43	Shield, Exhaust	1	696302
44	Screw, 8-18 x 1/2	1	488729
45	Kit, Thermal Cut-Off (Includes Illus. 15)	1	280010
46	Wire, Jumper	1	3401707