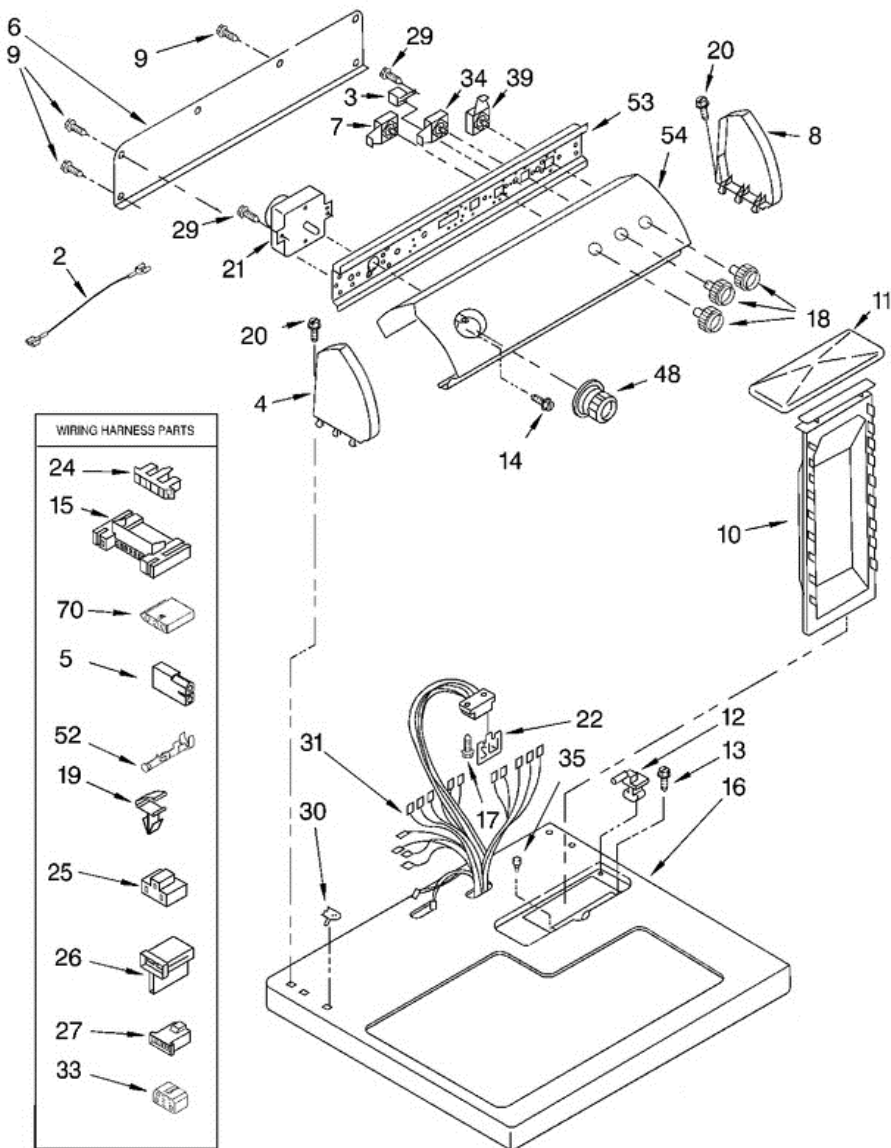


Distribuidor Autorizado

SurteRápido.com

Venta de Refacciones
Electrodomesticas

7MLGQ8857JT1 TABLERO





7MLGQ8857JT1 TABLERO

2	3401684	WIRE, JUMPER (BLACK)
3	694419	BUZZER, MINI
4	8271365	CAP, END (L.H.) (WHITE)
4	8271368	CAP, END (L.H.) (BISCUIT)
5	717252	PLUG, 2-WAY TERMINAL
6	8274261	PANEL, REAR CONSOLE
7	3405155	SWITCH, TEMPERATURE
8	8271359	CAP, END (R.H.) (WHITE)
8	8271362	CAP, END (R.H.) (BISCUIT)
9	693995	SCREW, HEX WASHER HEAD
10	349639	HANDLE & LINT SCREEN ASSEMBLY
11	8283378	COVER, LINT SCREEN (WHITE)
11	8283380	COVER, LINT SCREEN (BISCUIT)
12	3978605	HINGE, R.H.
12	3978606	HINGE, L.H.
13	688983	SCREW, 8-18 X 5/8
14	3400859	SCREW, GROUNDING
15	3395683	CONNECTOR (MOTOR)
16	8271390	TOP (WHITE)
16	8271392	TOP (BISCUIT)
17	343641	SCREW, 10-16 X 1/2
18	8271339	KNOB, CONTROL (3) (WHITE)
18	8271348	KNOB, CONTROL (3) (BISCUIT)
19	3394427	CLIP-HARNESS
20	388326	SCREW, CONSOLE
21	3406725	TIMER ASSEMBLY (60 HZ.)
22	3390537	CONTROL, ELECTRONIC
24	3397269	CONNECTOR, TIMER
25	3401144	CONNECTOR, (PTS RELAY)
26	3403499	CONNECTOR, 2-POSITION GAS VALVE
27	3403498	CONNECTOR, 3-POSITION (GAS VALVE)
29	3390646	SCREW, 8-18 X 5/16
30	357213	NUT, PUSH-IN (2)

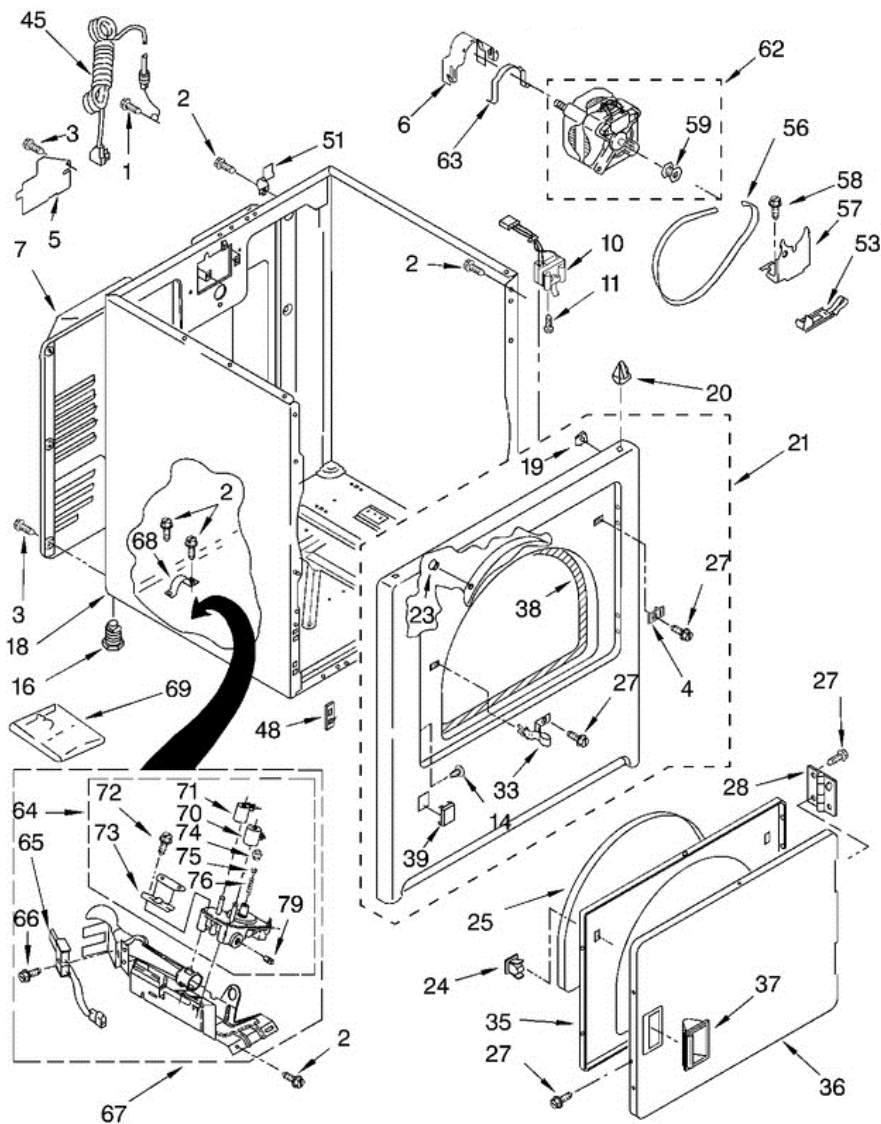
31	8299860	HARNESS, WIRING
33	3347243	CONNECTOR 6-CIRCUIT
34	3405154	SWITCH, FINISH GUARD
35	297535	BUMPER, LINT LID
39	3398095	SWITCH, PUSH-TO-START
48	8271404	TIMER KNOB ASSEMBLY (BISCUIT)
48	8312687	TIMER KNOB ASSEMBLY (WHITE)
52	94614	TERMINAL (FEMALE)
53	8271418	BRACKET, CONTROL
54	3977827	PANEL, CONTROL (WHITE)
54	3977828	PANEL, CONTROL (BISCUIT)
70	350930	PAINT, PRESSURIZED SPRAY 12 OZ.) (WHITE)
70	350938	PAINT, PRESSURIZED SPRAY(12 OZ.) (PRIMER, GREY)
70	3936144	CONNECTOR
70	4392899	BISCUIT
70	4392900	PAINT, BULK (1 QT.) (BISCUIT (UNCUT))
70	4392901	PAINT, PRESSURIZED SPRAY (12 OZ.) (BISCUIT)
70	72017	PAINT, TOUCH-UP (1/2OZ.) (WHITE)
70	799344	PAINT, BULK (1 QT.) (WHITE (UNCUT))

Distribuidor Autorizado

SurteRápido.com

Venta de Refacciones
Electrodomesticas

7MLGQ8857JT1 GABINETE





7MLGQ8857JT1 GABINETE

1	697776	SCREW, 10-32 X 5/8 (EXTERNAL GROUND)
2	343641	SCREW, 10-16 X 1/2
3	693995	SCREW, HEX HEAD
4	3403630	PLUG, STRIKE HOLE (WHITE)
4	3403632	PLUG, STRIKE HOLE (BISCUIT)
5	3396795	COVER, BLOCK
6	3404162	CLAMP, MOTOR (W/SHIELD)
7	3396805	PANEL, REAR
10	3406107	DOOR SWITCH ASSEMBLY
11	697773	SCREW, 6-20 X 7/8
14	3404413	PLUG, HINGE HOLE (WHITE)
14	3404415	PLUG, HINGE HOLE (BISCUIT)
16	279810	FOOT-OPTIONAL(EXTENDED LENGTH PACKAGE OF 2)
16	3392100	FOOT, DRYER
18	3399585	CABINET (WHITE)
18	3399595	CABINET (BISCUIT (INCLUDES. 5,7,16,48, & 57.))
19	98234	CLIP, GROUND (2)
20	690363	LOCK, FRONT TOP (2)
21	3403447	FRONT PANEL ASSEMBLY (WHITE)
21	8282482	FRONT PANEL ASSEMBLY (BISCUIT)
23	685203	CLIP, FELT PAD (2)
24	690081	CATCH, DOOR ASSEMBLY
25	3405246	SEAL, DOOR
27	342055	SCREW, 8-18 X 1/2
28	3405514	HINGE, DOOR
33	3403431	STRIKE, DOOR
35	3402341	DOOR, REAR
36	3402335	DOOR, FRONT (WHITE)
36	3402337	DOOR, FRONT (BISCUIT)
37	3405184	HANDLE, DOOR (WHITE)
37	3405189	HANDLE, DOOR (BISCUIT)
38	3406129	SEAL & BEARING ASSEMBLY
39	3394975	PLUG, FRONT PANEL (WHITE)

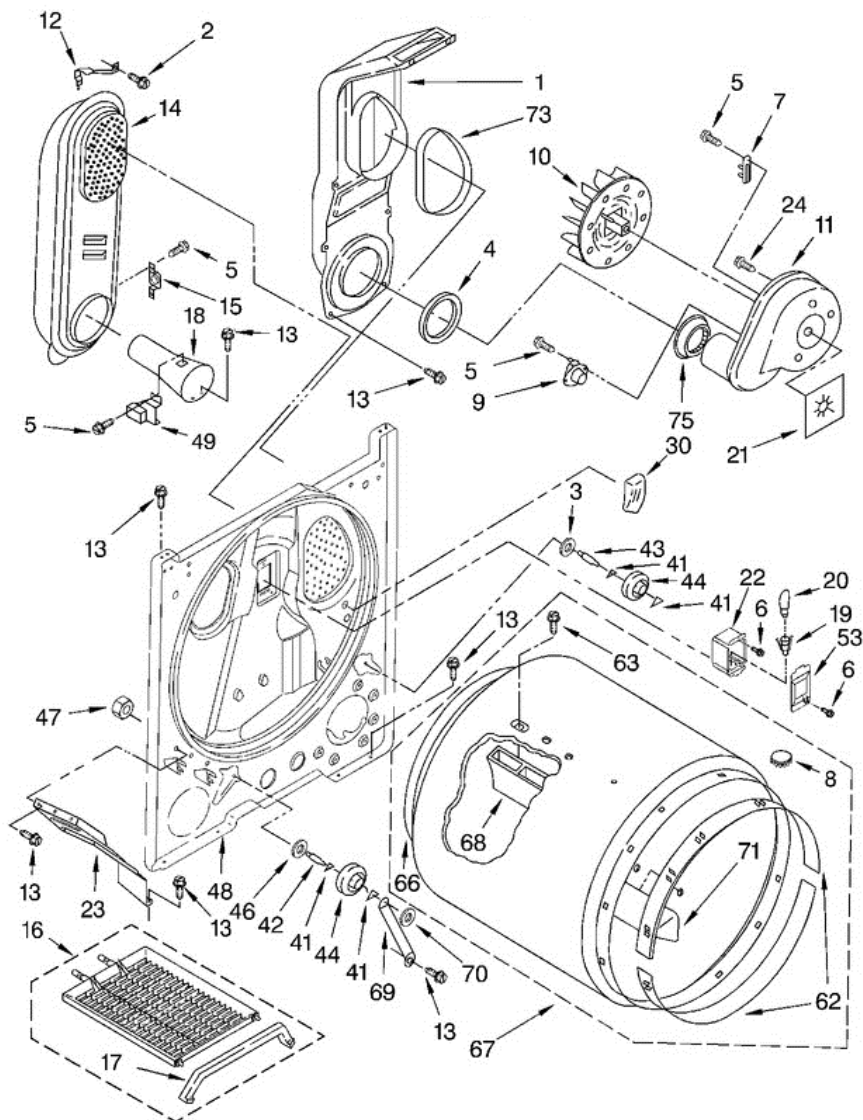
39	3394978	PLUG, FRONT PANEL (BISCUIT)
45	344020	CORD, POWER
48	3394083	CLIP, FRONT PANEL
51	238088	HINGE, TOP (2)
53	3394332	IDLER & SLIDE ASSEMBLY
56	8066065	BELT, DRIVE
57	348780	BASE, MOTOR
58	3400500	BOLT, 5/16-18 X 3/4
59	3394341	PULLEY 60 HZ
62	3976707	MOTOR ASSEMBLY 60 HZ.
63	660658	CLAMP, MOTOR
64	8281908	VALVE, GAS 60 HZ. (COMPLETE)
65	686590	IGNITOR
66	3393909	LOCK SCREW & WASHER (8-32 X 5/8)
67	3402844	BURNER ASSEMBLY, 60 HZ.
68	341029	CLAMP, PIPE
69	694572	KIT, CONVERSION TYPE 1, 2 & 3 TO TYPE 4 (LPG)
70	694539	COIL, 60 HZ. (SPLIT) (3 TERMINAL) (PILOT POSITION)
71	694540	COIL, 60 HZ. (2 TERMINAL) (MAIN)
72	694421	SCREW, BRACKET MOUNTING (8-32 X 1/2)
73	694538	BRACKET, COIL
74	694424	LEAK, LIMITER
75	694423	SCREW, REGULATOR ADJUSTMENT
76	694422	SPRING, REGULATOR
79	239822	PLUG, PIPE

Distribuidor Autorizado

SurteRápido.com

Venta de Refacciones
Electrodomesticas

7MLGQ8857JT1 TAMBOR



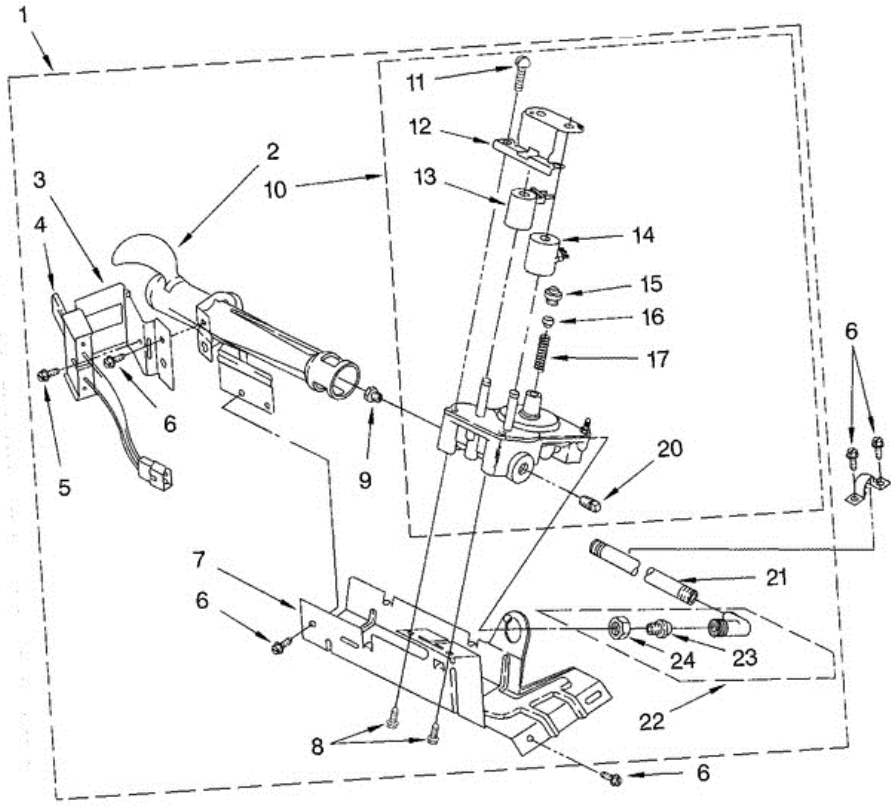


7MLGQ8857JT1 TAMBOR

1	348368	LINT CHUTE ASSEMBLY
2	489463	SCREW, 8-18 X 5/8
3	3388703	WASHER, SUPPORT
4	347139	SEAL, LINT CHUTE
5	90767	SCREW, 8-18 X 3/8
6	487909	SCREW, 8-15 X 1/2
7	3392519	FUSE, THERMAL
8	3977358	DRUM, HOLE PLUG
9	8318268	THERMOSTAT, INTERNAL-BIAS
10	694089	WHEEL, BLOWER (INCLUDES ILLUS. NO. 21)
11	3405016	HOUSING, BLOWER
12	3398161	CLIP
13	343641	SCREW, 10-16 X 1/2
14	3394343	BOX, HEATER
15	3403140	THERMOSTAT, 205Å°F (96Å°C)
16	3406839	DRY RACK ASSEMBLY
17	692989	BRACKET, DRYER RACK
18	8066049	FUNNEL, BURNER
19	3403634	SOCKET ASSEMBLY
20	3406124	LIGHT BULB
21	3394196	SEAL, BLOWER
22	3977373	BRACKET, DRUM LIGHT
23	3406022	BRACKET, BULKHEAD
24	693995	SCREW, 8-18 X 3/8
30	3976479	PAD SENSOR
41	690997	RING, TRI
42	3399506	SHAFT, L.H.
43	3399507	SHAFT, R.H.
44	3397588	ROLLER, SUPPORT
46	348197	WASHER, SUPPORT
47	3359452	NUT, 3/8-16
48	3403414	BULKHEAD
49	338906	SENSOR, RADIANT

53	3402841	LENS, DRUM LIGHT
62	692526	RING, BEARING
63	97787	SCREW, 11-16 X 3/4
66	3406130	SEAL, REAR DRUM
67	695587	DRUM ASSEMBLY
68	692490	BAFFLE, DRUM (2)
69	3976434	BRACKET, SUPPORT
70	90296	CLIP
71	3403636	BAFFLE, DRUM (1)
73	339956	SEAL
75	696302	SHIELD, EXHAUST

7MLGQ8857JT1 QUEMADOR





7MLGQ8857JT1 QUEMADOR

1	3402844	BURNER ASSY 60 HZ.(TYPE1,2&3) (WHITE RODGERS)
2	688617	TUBE, BURNER
3	694298	BRACKET, IGNITOR
4	686590	IGNITOR
5	3393909	SCREW & WASHER (8-32 X 5/8)
6	343641	SCREW, 10-16 X 1/2
7	693986	BASE, BURNER
8	3387057	SCREW, 8-18 X 3/8 (2)
9	15419	ORIFICE, BURNER (TYPE 3)
9	15775	ORIFICE, BURNER (TYPE 2)
9	229742	ORIFICE, BURNER (TYPE 4 (BUTANE))
9	234826	ORIFICE, BURNER TYPE 1
9	234868	ORIFICE, BURNER (TYPE 4 (PROPANE))
10	3401775	VALVE, GAS 60 HZ. (COMPLETE)
11	694421	SCREW, BRACKET MOUNTING (8-32 X 1/2) (2)
12	694538	BRACKET, COIL
13	694540	COIL, 60 HZ. (2 TERMINAL) (MAIN)
14	694539	COIL, 60 HZ. (SPLIT) (3 TERMINAL) (PILOT POSITION)
15	694424	LEAK, LIMITER
16	694423	SCREW, REGULATOR ADJUSTMENT
17	694422	SPRING, REGULATOR
20	239822	PLUG, PIPE
21	233273	PIPE, GAS SUPPLY
22	3406052	ELBOW UNION ASSEMBLY
23	3393767	PIPE, TAIL
24	233076	NUT, COMPRESSION
25	341029	CLAMP, PIPE
25	694572	CONVERSION KIT (TYPE 1, 2 & 3 TO TYPE 4) (L.P.G.)