



7MLGR4634PQ0 TABLERO

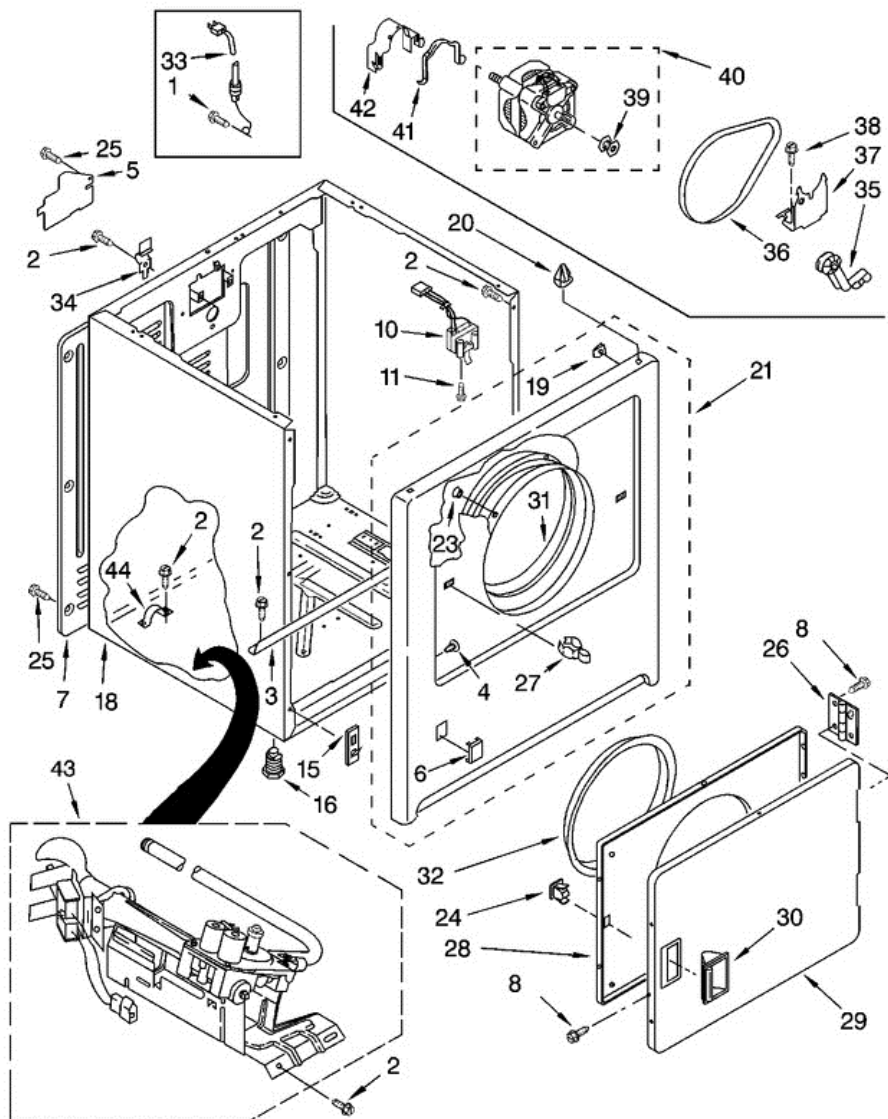
2	3400859	SCREW, GROUNDING
3	693995	SCREW, HEX HEAD
4	8271365	CAP, END (L.H.) (WHITE)
4	8271368	CAP, END (L.H.) (BISCUIT)
5	3936144	CONNECTOR
6	8274261	PANEL, REAR CONSOLE
7	8271359	CAP, END (R.H.) (WHITE)
7	8271362	CAP, END (R.H.) (BISCUIT)
8	357213	NUT, PUSH-IN (2)
9	3395683	HOUSING, CONNECTOR (MOTOR)
10	8557861	SCREEN, LINT (WHITE)
10	8557862	SCREEN, LINT (BISCUIT)
11	8536939	CLIP, SPRING
14	388326	SCREW, CONSOLE
15	3397269	CONNECTOR, TIMER
16	8557930	TOP (WHITE)
16	8557931	TOP (BISCUIT)
17	3394427	CLIP-HARNESS
18	94614	TERMINAL (FEMALE)
21	3976584	TIMER ASSEMBLY (60 HZ.)
23	8299876	HARNESS, WIRING
24	3403499	CONNECTOR, 2-POSITION GAS VALVE
25	3403498	CONNECTOR, 3-POSITION (GAS VALVE)
26	3390646	SCREW, 8-18 X 5/16
27	3977456	SWITCH, PUSH-TO-START
28	8544955	TIMER KNOB ASSEMBLY (WHITE)
28	8544956	TIMER KNOB ASSEMBLY (BISCUIT)
29	8544895	BRACKET, CONTROL
30	8318800	PANEL, CONTROL (WHITE)
30	8318801	PANEL, CONTROL (BISCUIT)
31	717252	RECEPTACLE, LATCHING (2-WAY)
32	8544939	KNOB, PUSH-TO-START (WHITE)
32	8544942	KNOB, PUSH-TO-START (BISCUIT)

Distribuidor Autorizado

SurteRápido.com

Venta de Refacciones
Electrodomesticas

7MLGR4634PQ0 GABINETE



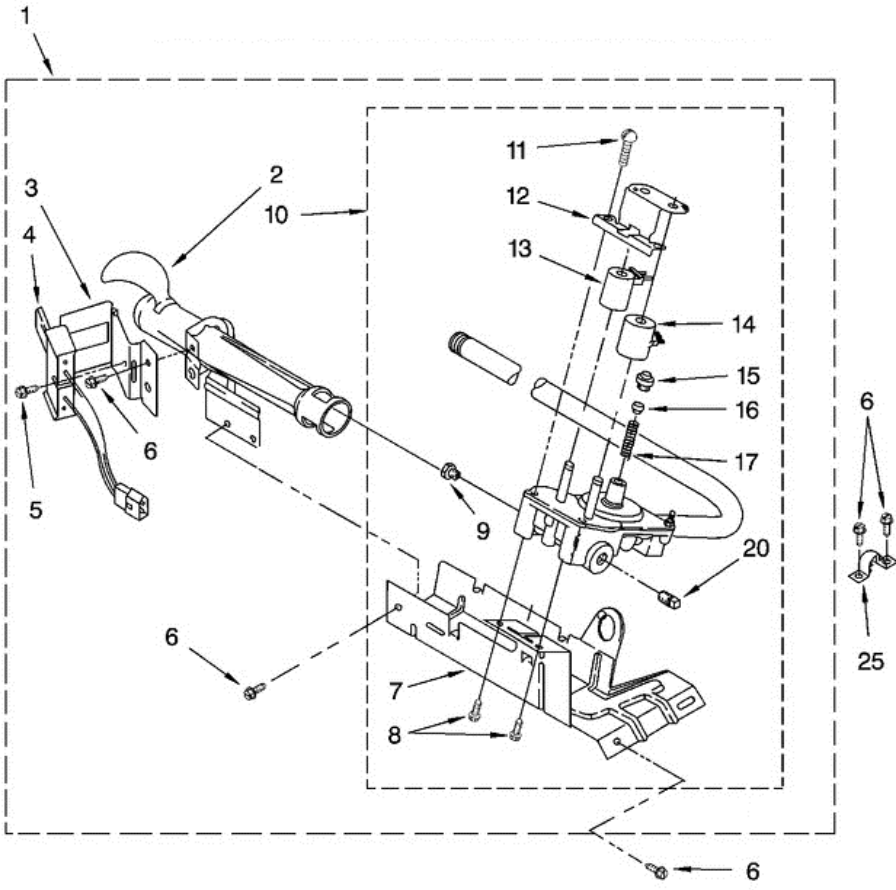


7MLGR4634PQ0 GABINETE

1	697776	SCREW, 10-32 X 5/8
2	343641	SCREW, 10-16 X 1/2
3	8541400	BRACKET, CABINET
4	3404413	PLUG, HINGE HOLE (4) (WHITE)
4	3404415	PLUG, HINGE HOLE (4) (BISCUIT)
5	3396795	COVER, BLOCK
6	3394975	PLUG, FRONT PANEL (WHITE)
6	3394978	PLUG, FRONT PANEL (BISCUIT)
7	3396807	PANEL, REAR
8	342055	SCREW, 8-18 X 1/2
10	3406104	DOOR SWITCH ASSEMBLY
11	697773	SCREW, 6-20 X 7/8
15	3394083	CLIP, FRONT PANEL
16	279810	FOOT-OPTIONAL (EXTENDED LENGTH PACKAGE OF 2)
16	3392100	FOOT, DRYER
18	8530603	CABINET (INCLUDES ILLUS. 3) (WHITE)
18	8530606	CABINET (INCLUDES ILLUS. 3) (BISCUIT)
19	98234	CLIP, GROUND (2)
20	690363	LOCK, FRONT TOP (2)
21	3403574	FRONT PANEL ASSEMBLY (WHITE)
21	3403577	FRONT PANEL ASSEMBLY (BISCUIT)
23	685203	CLIP, FELT PAD
24	690081	CATCH, DOOR
25	693995	SCREW, HEX HEAD
26	3405514	HINGE & PIN ASSEMBLY
27	696144	STRIKE, DOOR
28	3403371	DOOR, REAR
29	3403361	DOOR FRONT (WHITE)
29	3403363	DOOR, FRONT (BISCUIT)
30	3405184	HANDLE, DOOR (WHITE)
30	3405189	HANDLE, DOOR (BISCUIT)
31	8066124	SEAL & BEARING ASSEMBLY
32	3405245	SEAL, DOOR

33	344020	CORD, POWER
34	238088	HINGE, TOP (2)
35	691366	IDLER & PULLEY ASSEMBLY
36	8066065	BELT, DRIVE
37	348780	BASE, MOTOR
38	3400500	BOLT, 5/16-18 X 3/4
39	3394341	PULLEY 60 HZ
40	8538262	MOTOR, 60 HZ.
41	660658	CLAMP, MOTOR
42	3404162	CLAMP, MOTOR (W/SHIELD)
43	8318272	BURNER ASSEMBLY, 60 HZ. (REFER TO PAGES 5 & 6)
44	341029	CLAMP, PIPE

7MLGR4634PQ0 QUEMADOR





7MLGR4634PQ0 QUEMADOR

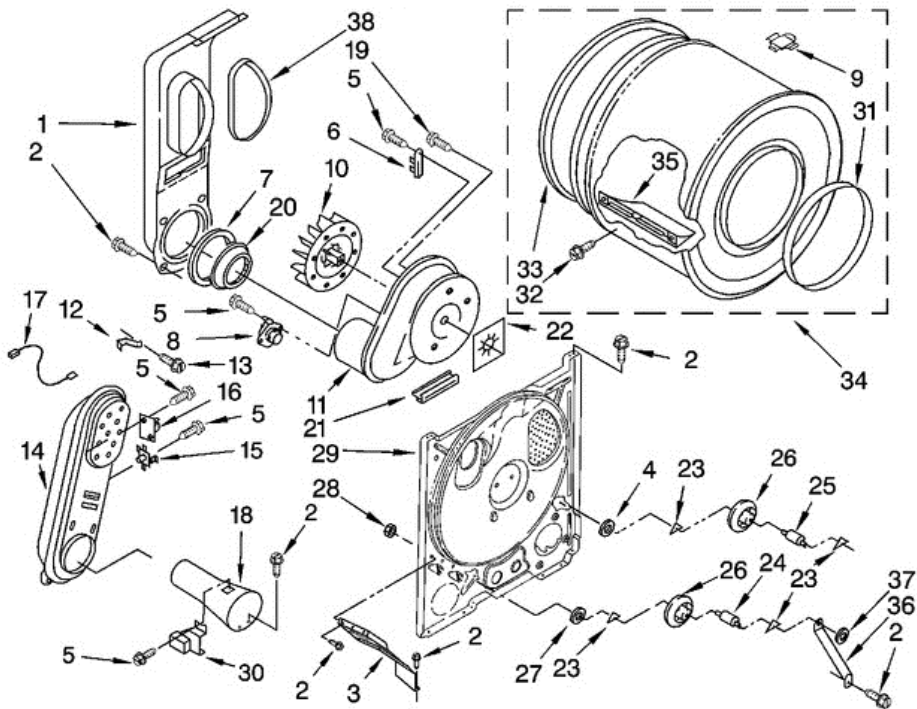
1	8318272	BURNER ASSEMBLY 60 HZ.(TYPE 1)
2	688617	TUBE, BURNER
3	694298	BRACKET, IGNITOR
4	686590	IGNITOR
5	3393909	SCREW & WASHER (8-32 X 5/8)
6	343641	SCREW, 10-16 X 1/2
7	693986	BASE, BURNER
8	3387057	SCREW, 8-18 X 3/8
9	229742	ORIFICE, BURNER (TYPE 4 (BUTANE))
9	234826	ORIFICE, BURNER TYPE 1
9	234868	ORIFICE, BURNER (TYPE 4 (PROPANE))
10	8318277	VALVE, 60 HZ. (INCLUDES PIPE & ILLUS. 7)
11	694421	SCREW, BRACKET MOUNTING (8-32 X 1/2) (2)
12	694538	BRACKET, COIL
13	694540	COIL, 60 HZ. (2 TERMINAL) (MAIN)
14	694539	COIL, 60 HZ. (SPLIT) (3 TERMINAL) (PILOT POSITION)
15	694424	LEAK, LIMITER
16	694423	SCREW, REGULATOR ADJUSTMENT
17	694422	SPRING, REGULATOR
20	239822	PLUG, PIPE
25	341029	CLAMP, PIPE
25	694572	CONVERSION KIT (TYPE 1) TO TYPE (4) L.P.G.

Distribuidor Autorizado

SurteRápido.com

Venta de Refacciones
Electrodomesticas

7MLGR4634PQ0 TAMBOR





7MLGR4634PQ0 TAMBOR

1	694283	LINT CHUTE ASSEMBLY
2	343641	SCREW, 10-16 X 1/2
3	3406022	BRACKET, BULKHEAD
4	3388703	WASHER, SUPPORT
5	90767	SCREW, 8-18 X 3/8
6	3392519	FUSE, THERMAL
7	347139	SEAL, LINT CHUTE
8	3387134	THERMOSTAT, INTERNAL-BIAS
9	8066086	DRUM HOLE PLUG
10	694089	WHEEL, BLOWER
11	8557384	HOUSING, BLOWER
12	3398161	CLIP
13	489463	SCREW, 8-18 X 5/8
14	8530285	BOX, HEATER
15	3403140	THERMOSTAT, 205Å°F (96Å°C)
16	280010	KIT, THERMAL CUT-OFF (INCLUDES ILLUS. 15)
17	3401707	WIRE, JUMPER
18	8066048	FUNNEL, BURNER
19	3390647	SCREW, 8-18 X 1/2
20	696302	SHIELD, EXHAUST
21	3392247	PAD, BLOWER HOUSING
22	3394196	SEAL, BLOWER SHAFT
23	690997	RING, TRI
24	3399506	SHAFT, L.H.
25	3399507	SHAFT, R.H.
26	3397588	ROLLER, SUPPORT
27	348197	WASHER, SUPPORT
28	3359452	NUT, 3/8-16
29	8529955	BULKHEAD
30	338906	SENSOR, RADIANT
31	3394509	RING, BEARING
32	97787	SCREW, 11-16 X 3/4
33	8066085	SEAL, REAR DRUM

34	3396777	DRUM ASSEMBLY
35	342847	BAFFLE, DRUM
36	3976435	BRACKET, SUPPORT
37	90296	CLIP
38	339956	SEAL