



7MLGR4634PT0 TABLERO

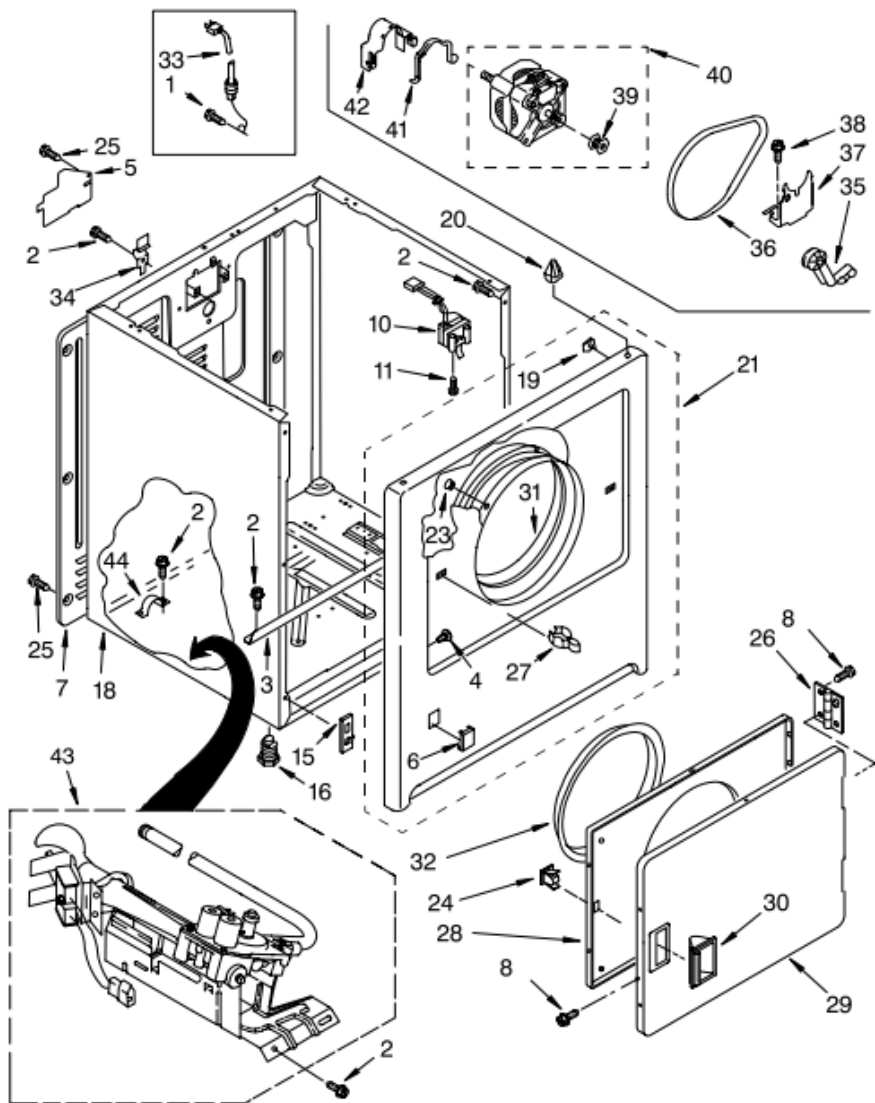
2	3400859	SCREW, GROUNDING (S/P)
3	693995	SCREW, HEX HEAD (S/P)
4	279962	CAP, END (L.H.) (WHITE)
4	279965	CAP, END (L.H.) (BISCUIT) (S/P)
5	3936144	CONNECTOR (S/P)
6	8274261	PANEL, REAR CONSOLE (S/P)
7	279962	CAP, END (R.H.) (WHITE)
7	279965	CAP, END (R.H.) (BISCUIT) (S/P)
8	357213	NUT, PUSH-IN (2) (S/P)
9	3395683	HOUSING, CONNECTOR (MOTOR) (S/P)
10	8557861	SCREEN, LINT (WHITE) (S/P)
10	8557862	SCREEN, LINT (BISCUIT) (S/P)
11	8536939	CLIP, SPRING (S/P)
14	388326	SCREW, CONSOLE (S/P)
15	3397269	CONNECTOR (TIMER) (S/P)
16	8563985	TOP (WHITE) (S/P)
16	8563986	TOP (BISCUIT) (S/P)
17	3394427	CLIP, HARNESS (S/P)
18	94614	TERMINAL (S/P)
21	3976584	TIMER ASSEMBLY, 60 HZ.
23	8299876	HARNESS, WIRING (S/P)
24	3403499	CONNECTOR, 2-POSITION (GAS VALVE) (S/P)
25	3403498	CONNECTOR, 3-POSITION (GAS VALVE) (S/P)
26	3390646	SCREW, 8-18 X 5/16 (S/P)
27	3977456	SWITCH, PUSH-TO-START
28	8544955	TIMER KNOB ASSEMBLY (WHITE) (S/P)
28	8544956	TIMER KNOB ASSEMBLY (BISCUIT) (S/P)
29	8544895	BRACKET, CONTROL (S/P)
30	8318800	PANEL, CONTROL (WHITE) (S/P)
30	8318801	PANEL, CONTROL (BISCUIT) (S/P)
31	717252	RECEPTACLE, LATCHING (2-WAY) (S/P)
32	8544939	KNOB, PUSH-TO-START (WHITE)
32	8544942	KNOB, PUSH-TO-START (BISCUIT) (S/P)

Distribuidor Autorizado

SurteRápido.com

Venta de Refacciones
Electrodomesticas

7MLGR4634PT0 GABINETE



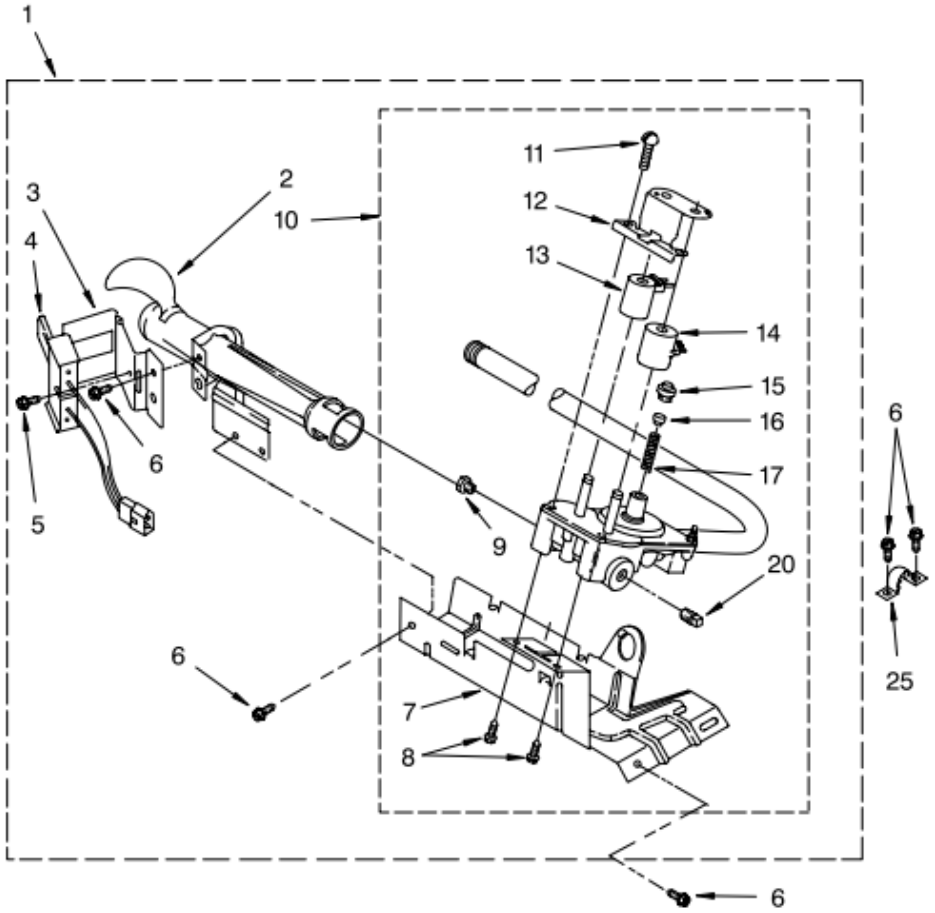


7MLGR4634PT0 GABINETE

1	697776	SCREW, 10-32 X 5/8 (S/P)
2	343641	SCREW, 10-16 X 1/2 (S/P)
3	8541400	BRACKET, CABINET (S/P)
4	3404413	PLUG, HINGE HOLE (4) (WHITE) (S/P)
4	3404415	PLUG, HINGE HOLE (4) (BISCUIT) (S/P)
5	3396795	COVER, BLOCK (S/P)
6	3394975	PLUG, FRONT PANEL (WHITE) (S/P)
6	3394978	PLUG, FRONT PANEL (BISCUIT) (S/P)
7	280040	PANEL, REAR (S/P)
8	342055	SCREW, 8-18 X 1/2 (S/P)
10	3406105	DOOR SWITCH ASSEMBLY
11	697773	SCREW, 6-20 X 7/8 (S/P)
15	3394083	CLIP, FRONT PANEL
16	3392100	FOOT, DRYER
16	279810	FOOT - OPTIONAL (S/P)
18	8533643	CABINET (INCLUDES ILLUS. 3) (WHITE) (S/P)
18	3977306	CABINET (INCLUDES ILLUS. 3) (BISCUIT) (S/P)
19	98234	CLIP, GROUND (2) (S/P)
20	18776	LOCK, FRONT TOP (2)
21	279846	FRONT PANEL ASSEMBLY (WHITE) (S/P)
21	279932	FRONT PANEL ASSEMBLY (BISCUIT) (S/P)
23	279220	CLIP, FELT PAD (S/P)
24	279570	CATCH, DOOR
25	693995	SCREW, HEX HEAD (S/P)
26	3405514	HINGE & PIN ASSEMBLY (S/P)
27	279570	STRIKE, DOOR
28	3403371	DOOR, REAR (S/P)
29	3403361	DOOR, FRONT (WHITE) (S/P)
29	3403363	DOOR, FRONT (BISCUIT) (S/P)
30	3405184	HANDLE, DOOR (WHITE) (S/P)
30	3405189	HANDLE, DOOR (BISCUIT) (S/P)
31	279264	SEAL & BEARING ASSEMBLY
32	3405245	SEAL, DOOR (S/P)

33	3401402	CORD, POWER
34	8066127	HINGE, TOP (2) (S/P)
35	691366	IDLER & PULLEY ASSEMBLY
36	341241	BELT, DRIVE
37	348780	BASE, MOTOR (S/P)
38	3400500	BOLT, 5/16-18 X 3/4 (S/P)
39	3394341	PULLEY, 60 HZ. (S/P)
40	279827	MOTOR, 60 HZ.
41	660658	CLAMP, MOTOR (S/P)
42	3404162	CLAMP, MOTOR (W/SHIELD) (S/P)
43	279990	BURNER ASSEMBLY, 60 HZ. (S/P)
44	341029	CLAMP, PIPE (S/P)

7MLGR4634PT0 QUEMADOR





7MLGR4634PT0 QUEMADOR

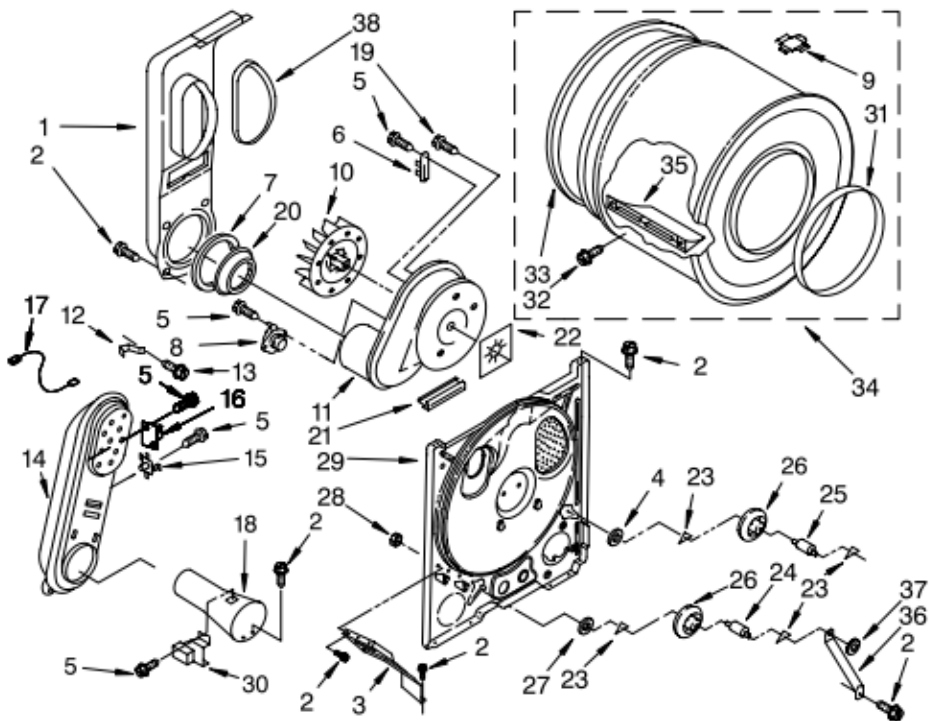
1	279990	BURNER ASSEMBLY 60 HZ. (TYPE 1) (S/P)
2	693140	TUBE, BURNER (S/P)
3	694298	BRACKET, IGNITOR (S/P)
4	WE4X750	IGNITOR
5	3393909	SCREW & WASHER (8-32 X 5/8) (S/P)
6	343641	SCREW, 10-16 X 1/2 (S/P)
7	693986	DESCONTINUADO
8	3387057	SCREW, 8-18 X 3/8 (S/P)
9	234826	ORIFICE, BURNER (TYPE 1) (S/P)
9	229742	ORIFICE, BURNER (TYPE 4 (BUTANE)) (S/P)
9	234868	ORIFICE, BURNER (TYPE 4 (PROPANE)) (S/P)
10	8318277	VALVE, 60 HZ. (INCLUDES PIPE & ILLUS. 7)
11	694421	SCREW, 8-32 X 1/2 (2) (S/P)
12	694538	BRACKET, COIL (S/P)
13	694540	COIL, 60 HZ. (2 TERMINAL) (MAIN) (S/P)
14	694539	COIL, 60 HZ. (SPLIT) (3 TERMINAL) (S/P)
15	694424	LEAK LIMITER (S/P)
16	694423	SCREW, REGULATOR ADJUSTMENT (S/P)
17	694422	SPRING, REGULATOR (S/P)
20	239822	PLUG, PIPE (S/P)
25	341029	CLAMP, PIPE (S/P)
25	49572	CONVERSION KIT (TYPE 1) TO TYPE (4) L.P.G

Distribuidor Autorizado

SurteRápido.com

Venta de Refacciones
Electrodomesticas

7MLGR4634PT0 TAMBOR





7MLGR4634PT0 TAMBOR

1	279505	LINT CHUTE ASSEMBLY
2	343641	SCREW, 10-16 X 1/2 (S/P)
3	3406022	BRACKET, BULKHEAD (S/P)
4	3388703	WASHER, SUPPORT (S/P)
5	90767	SCREW, 8-18 X 3/8 (S/P)
6	3392519	FUSE, THERMAL
7	347139	SEAL, LINT CHUTE (S/P)
8	3387134	THERMOSTAT, INTERNAL-BIAS
9	8066086	DRUM HOLE PLUG (S/P)
10	694089	WHEEL, BLOWER (INCLUDES ILLUS. 22)
11	8577230	HOUSING, BLOWER (S/P)
12	279771	CLIP (S/P)
13	489463	SCREW, 8-18 X 5/8 (S/P)
14	279980	BOX, HEATER (S/P)
15	3403140	THERMOSTAT, 205 F (96 C)
16	280010	KIT, THERMAL CUT-OFF (INCLUDES ILLUS. 15)
17	3401707	WIRE, JUMPER (S/P)
18	8066048	FUNNEL, BURNER (S/P)
19	3390647	SCREW, 8-18 X 1/2 (S/P)
20	696302	SHIELD, EXHAUST (S/P)
21	786068	PAD, BLOWER HOUSING (S/P)
22	3394196	SEAL, BLOWER SHAFT (S/P)
23	690997	RING, TRI (S/P)
24	3399506	SHAFT, L.H.
25	339489	SHAFT, R.H.
26	349241	ROLLER, SUPPORT
27	348197	WASHER, SUPPORT (S/P)
28	3359452	NUT, 3/8-16 (S/P)
29	279793	BULKHEAD (S/P)
30	338906	SENSOR, RADIANT
31	3394509	RING, BEARING
32	97787	SCREW, 11-16 X 3/4 (S/P)
33	239087	SEAL, REAR DRUM

34	697760	DRUM ASSEMBLY (S/P)
35	342847	BAFFLE, DRUM (S/P)
36	3976435	BRACKET, SUPPORT (S/P)
37	90296	CLIP (S/P)
38	339956	SEAL (S/P)