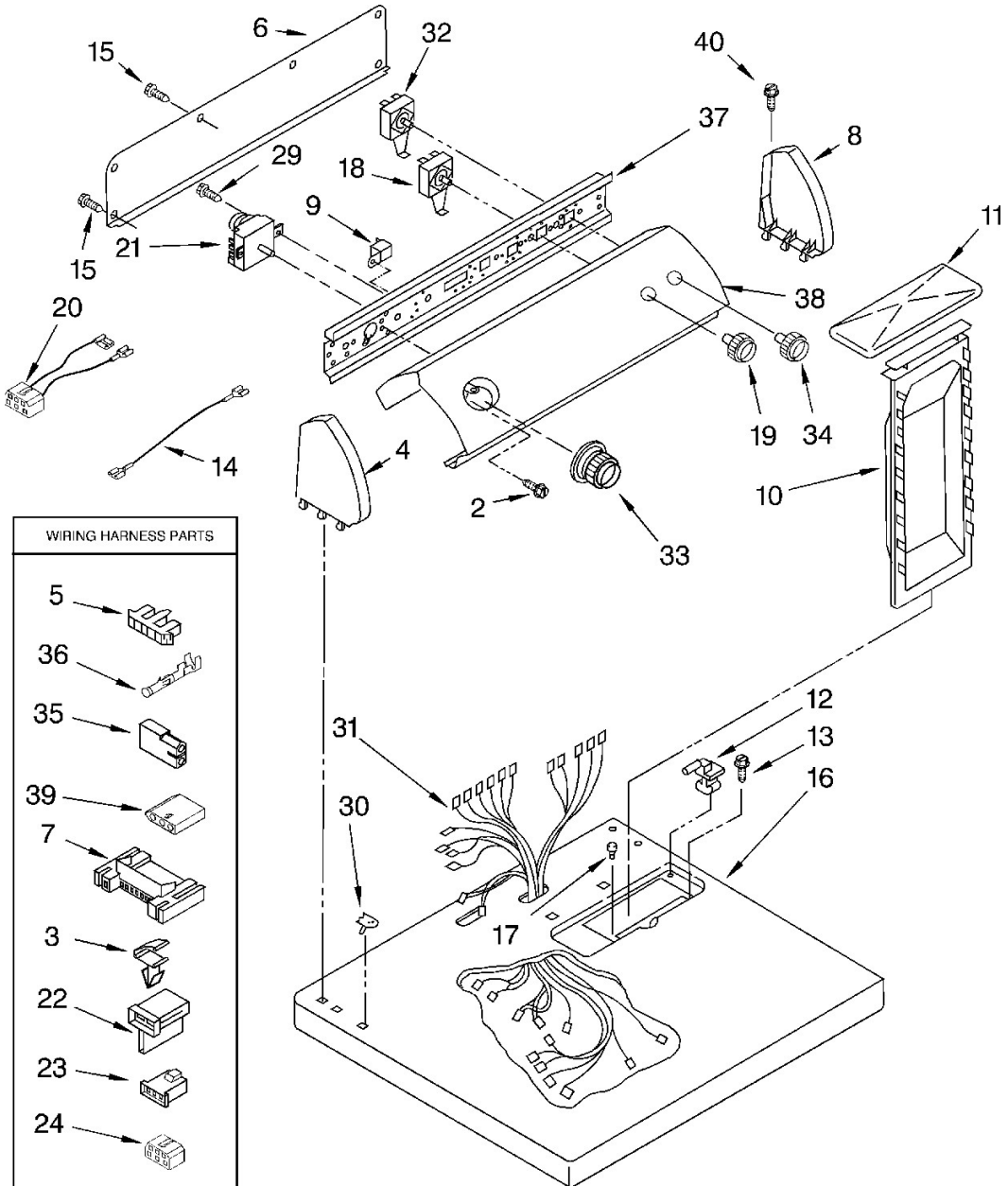


Distribuidor Autorizado

SurteRápido.com

Venta de Refacciones  
Electrodomesticas

# Secadora Whirlpool 7MLGR5620MQ



Distribuidor Autorizado

**SurteRápido.com**

Venta de Refacciones  
Electrodomesticas



## Secadora Whirlpool 7MLGR5620MQ0

| <b>No. Ilus.</b> | <b>DESCRIPCIÓN</b>                | <b>No. de Parte</b> |
|------------------|-----------------------------------|---------------------|
| 2                | Screw, Grounding                  | 3400859             |
| 3                | Clip, Harness                     | 3394427             |
| 4                | Cap, End (L.H.)                   | 279962              |
| 5                | Connector (Timer)                 | 3397269             |
| 6                | Panel, Rear Console               | 8274261             |
| 7                | Housing, Connector (Motor)        | 3395683             |
| 8                | Cap, End (R.H.)                   | 279962              |
| 9                | Buzzer, Mini                      | 694419              |
| 10               | Handle & Lint Screen Assembly     | 349639              |
| 11               | Cover, Lint Screen                | 8283378             |
| 12               | Hinge, R.H.                       | 3978605             |
|                  | Hinge, L.H.                       | 3978606             |
| 13               | Screw, 8-18 x 5/8                 | 487240              |
| 14               | Wire, Jumper (Black)              | 3401674             |
| 15               | Screw, Hex Head                   | 489069              |
| 16               | Top                               | 8521918             |
| 17               | Bumper, Lint Lid                  | 17258               |
| 18               | Switch, End Of Cycle              | 3405152             |
| 19               | Knob, Control                     | 8271339             |
| 20               | Wire, Jumper (Guard On/Off)       | 8283276             |
| 21               | Timer Assembly (60 Hz.)           | 3976584             |
| 22               | Connector, 2-Position (Gas Valve) | 3403499             |
| 23               | Connector, 3-Position (Gas Valve) | 3403498             |
| 24               | Connector, 6-Circuit              | 3347243             |
| 29               | Screw, 8-18 x 5/16                | 3390646             |
| 30               | Nut, Push-In (2)                  | 357213              |
| 31               | Harness, Wiring                   | 8299877             |

Distribuidor Autorizado

**SurteRápido.com**

Venta de Refacciones  
Electrodomesticas



## Secadora Whirlpool 7MLGR5620MQ0

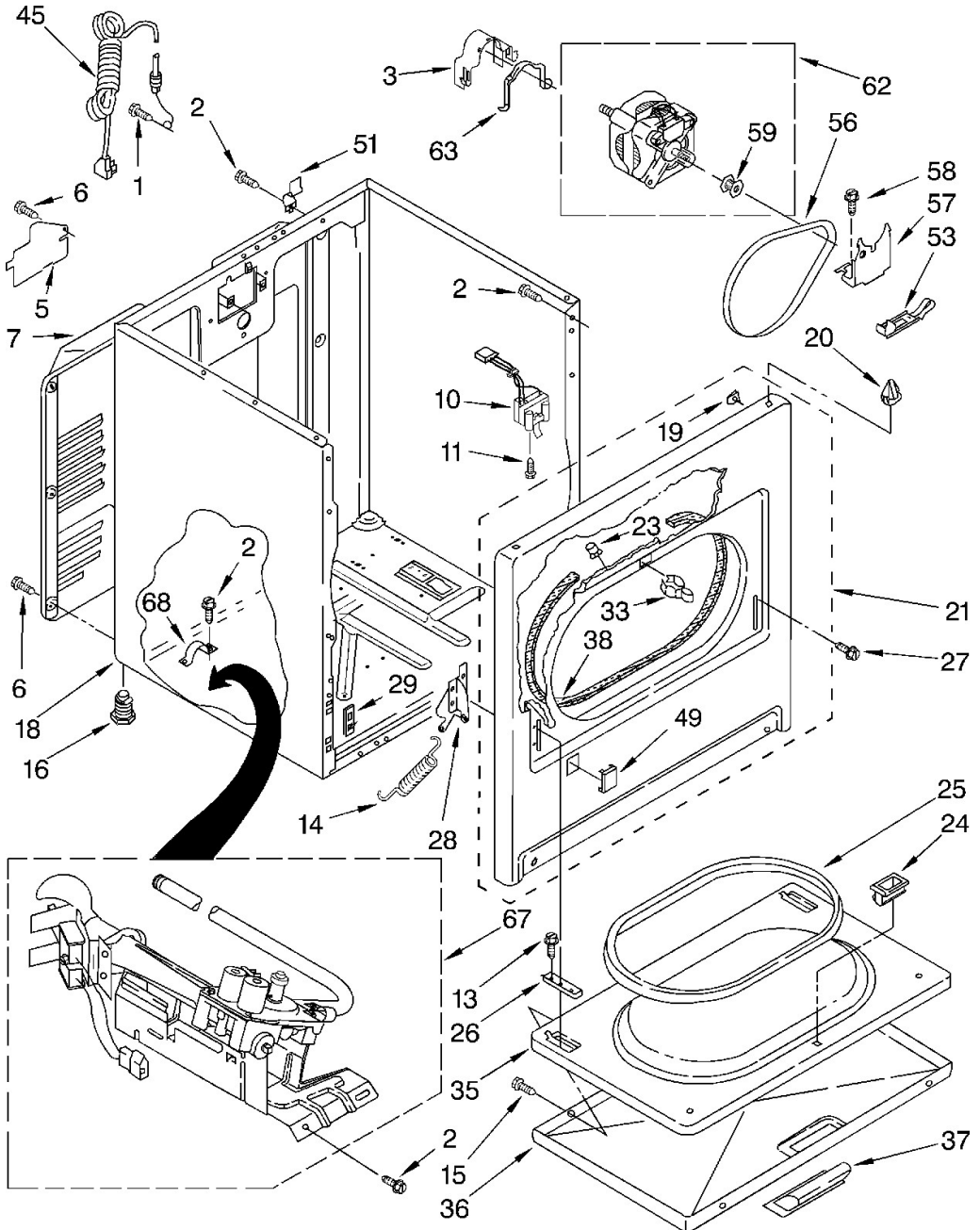
| <b>No. Ilus.</b> | <b>DESCRIPCIÓN</b>    | <b>No. de Parte</b> |
|------------------|-----------------------|---------------------|
| <b>32</b>        | Switch, Push-To-Start | 3977456             |
| <b>33</b>        | Timer Knob Assembly   | 8312687             |
| <b>34</b>        | Knob, Push-To-Start   | 8271341             |
| <b>35</b>        | Receptacle, 2-Way     | 717252              |
| <b>36</b>        | Terminal, Female      | 94614               |
| <b>37</b>        | Bracket, Control      | 8271418             |
| <b>38</b>        | Panel, Control        | 8543129             |
| <b>39</b>        | Connector             | 3936144             |
| <b>40</b>        | Screw, Console        | 388326              |

Distribuidor Autorizado

SurteRápido.com

Venta de Refacciones  
Electrodomesticas

# Secadora Whirlpool 7MLGR5620MQ



Distribuidor Autorizado

**SurteRápido.com**

Venta de Refacciones  
Electrodomesticas



## Secadora Whirlpool 7MLGR5620MQ

| <b>No.Ilus.</b> | <b>DESCRIPCIÓN</b>                   | <b>No. de Parte</b> |
|-----------------|--------------------------------------|---------------------|
| <b>1</b>        | Screw, 10-32 x 5/8 (External Ground) | 4331106             |
| <b>2</b>        | Screw, 10-16 x 1/2                   | 681414              |
| <b>3</b>        | Clamp, Motor (W/Shield)              | 3404162             |
| <b>5</b>        | Cover, Block                         | 3396795             |
| <b>6</b>        | Screw, Hex Washer Head               | 489069              |
| <b>7</b>        | Panel, Rear                          | 3396805             |
| <b>10</b>       | Door Switch Assembly                 | 3406107             |
| <b>11</b>       | Screw, 6-20 x 7/8                    | 3395530             |
| <b>13</b>       | Screw, 8-18 x 3/8                    | 694091              |
| <b>14</b>       | Spring, Door (2)                     | 692495              |
| <b>15</b>       | Screw, 10-16 x 1/2                   | 308685              |
| <b>16</b>       | Foot, Dryer                          | 3392100             |
|                 | Foot - Optional                      | 279810              |
| <b>18</b>       | Cabinet                              | 8533643             |
| <b>19</b>       | Clip, Ground (2)                     | 98234               |
| <b>20</b>       | Lock, Front Top (2)                  | 18776               |
| <b>21</b>       | Panel Front                          | 279740              |
| <b>23</b>       | Clip, Felt Pad (2)                   | 279220              |
| <b>24</b>       | Catch, Door Assembly                 | 3389441             |
| <b>25</b>       | Seal, Door                           | 3390731             |
| <b>26</b>       | Clip, Hinge (2)                      | 337189              |
| <b>27</b>       | Screw, 10-32 x 3/8                   | 486146              |
| <b>28</b>       | Hinge, R.H.                          | 8066056             |
|                 | Hinge, L.H.                          | 8066057             |
| <b>29</b>       | Clip, Front Panel                    | 3394083             |
| <b>33</b>       | Strike, Panel                        | 279570              |
| <b>35</b>       | Door, Rear                           | 695737              |

Distribuidor Autorizado

**SurteRápido.com**

Venta de Refacciones  
Electrodomesticas



## Secadora Whirlpool 7MLGR5620MQ0

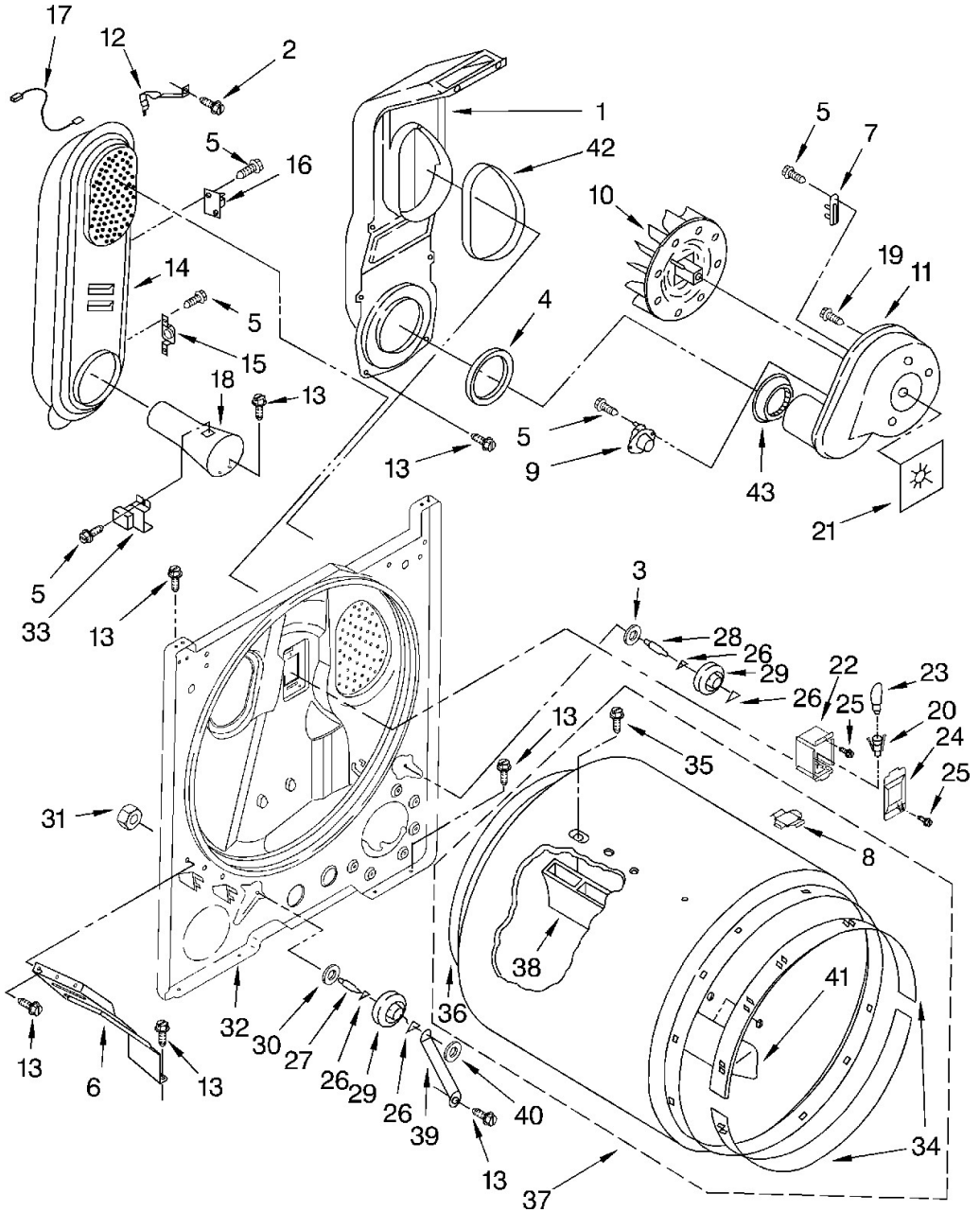
| <b>No. Ilus.</b> | <b>DESCRIPCIÓN</b>      | <b>No. de Parte</b> |
|------------------|-------------------------|---------------------|
| <b>36</b>        | Door, Front             | 3393549             |
| <b>37</b>        | Handle, Door            | 690270              |
| <b>38</b>        | Seal & Bearing Assembly | 3406129             |
| <b>45</b>        | Cord, Power             | 3401402             |
| <b>49</b>        | Plug, Front Panel       | 3394975             |
| <b>51</b>        | Hinge, Top (2)          | 238088              |
| <b>53</b>        | Idler & Slide Assembly  | 3394332             |
| <b>56</b>        | Belt, Drive             | 341241              |
| <b>57</b>        | Base, Motor             | 687079              |
| <b>58</b>        | Bolt, 5/16-18 x 3/4     | 3400500             |
| <b>59</b>        | Pulley, 60 Hz.          | 3394341             |
| <b>62</b>        | Motor Assembly 60 Hz.   | 279827              |
| <b>63</b>        | Clamp, Motor            | 343481              |
| <b>67</b>        | Burner Assembly, 60 Hz. | 8318272             |

Distribuidor Autorizado

SurteRápido.com

Venta de Refacciones  
Electrodomesticas

# Secadora Whirlpool 7MLGR5620MQ



Distribuidor Autorizado

**SurteRápido.com**

Venta de Refacciones  
Electrodomesticas



## Secadora Whirlpool 7MLGR5620MQ0

| <b>No.Illus.</b> | <b>DESCRIPCIÓN</b>                        | <b>No. de Parte</b> |
|------------------|---|---------------------|
| 1                | Lint Chute Assembly                       | 3396352             |
| 2                | Screw, 8-18 x 5/8                         | 489463              |
| 3                | Washer-Support                            | 3388703             |
| 4                | Seal, Lint Chute                          | 347139              |
| 5                | Screw, 8-18 x 3/8                         | 90767               |
| 6                | Bracket, Bulkhead                         | 3406022             |
| 7                | Fuse, Thermal                             | 3392519             |
| 8                | Drum Hole Plug                            | 8066086             |
| 9                | Thermostat, Internal-Bias                 | 3387134             |
| 10               | Wheel, Blower (Includes Illus. No. 21)    | 279711              |
| 11               | Housing, Blower                           | 3405016             |
| 12               | CLIP                                      | 8066155             |
| 13               | Screw, 10-16 x 1/2                        | 681414              |
| 14               | Box, Heater                               | 279980              |
| 15               | Thermostat, 205 F (96 C)                  | 3403140             |
| 16               | Kit, Thermal Cut-Off (Includes Illus. 15) | 280010              |
| 17               | Wire, Jumper                              | 3401707             |
| 18               | Funnel, Burner                            | 8066049             |
| 19               | Screw, 8-18 x 1/2                         | 488729              |
| 20               | Socket Assembly                           | 3403634             |
| 21               | Seal, Blower                              | 3394196             |
| 22               | Bracket, Light                            | 3977373             |
| 23               | Bulb, Light                               | 17512               |
| 24               | Lens, Light                               | 8532165             |
| 25               | Screw, 8-15 x 1/2                         | 488729              |
| 26               | Ring, Tri                                 | 690997              |
| 27               | Shaft, L.H.                               | 3399506             |



Distribuidor Autorizado

**SurteRápido.com**

Venta de Refacciones  
Electrodomesticas



## Secadora Whirlpool 7MLGR5620MQ0

| <b>No. Ilus.</b> | <b>DESCRIPCIÓN</b> | <b>No. de Parte</b> |
|------------------|--------------------|---------------------|
| <b>28</b>        | Shaft, R.H.        | 339489              |
| <b>29</b>        | Roller, Support    | 349241T             |
| <b>30</b>        | Washer, Support    | 348197              |
| <b>31</b>        | Nut, 3/8-16        | 3359452             |
| <b>32</b>        | Bulkhead           | 279798              |
| <b>33</b>        | Sensor, Radiant    | 338906              |
| <b>34</b>        | Ring, Bearing      | 279441              |
| <b>35</b>        | Screw, 11-16 x 3/4 | 63027               |
| <b>36</b>        | Seal, Rear Drum    | 279857              |
| <b>37</b>        | Drum Assembly      | 695587              |
| <b>38</b>        | Baffle, Drum (2)   | 692490              |
| <b>39</b>        | Bracket, Support   | 3976434             |
| <b>40</b>        | Clip               | 90296               |
| <b>41</b>        | Baffle, Drum (1)   | 3403636             |
| <b>42</b>        | Seal               | 339956              |
| <b>43</b>        | Shield, Exhaust    | 696302              |

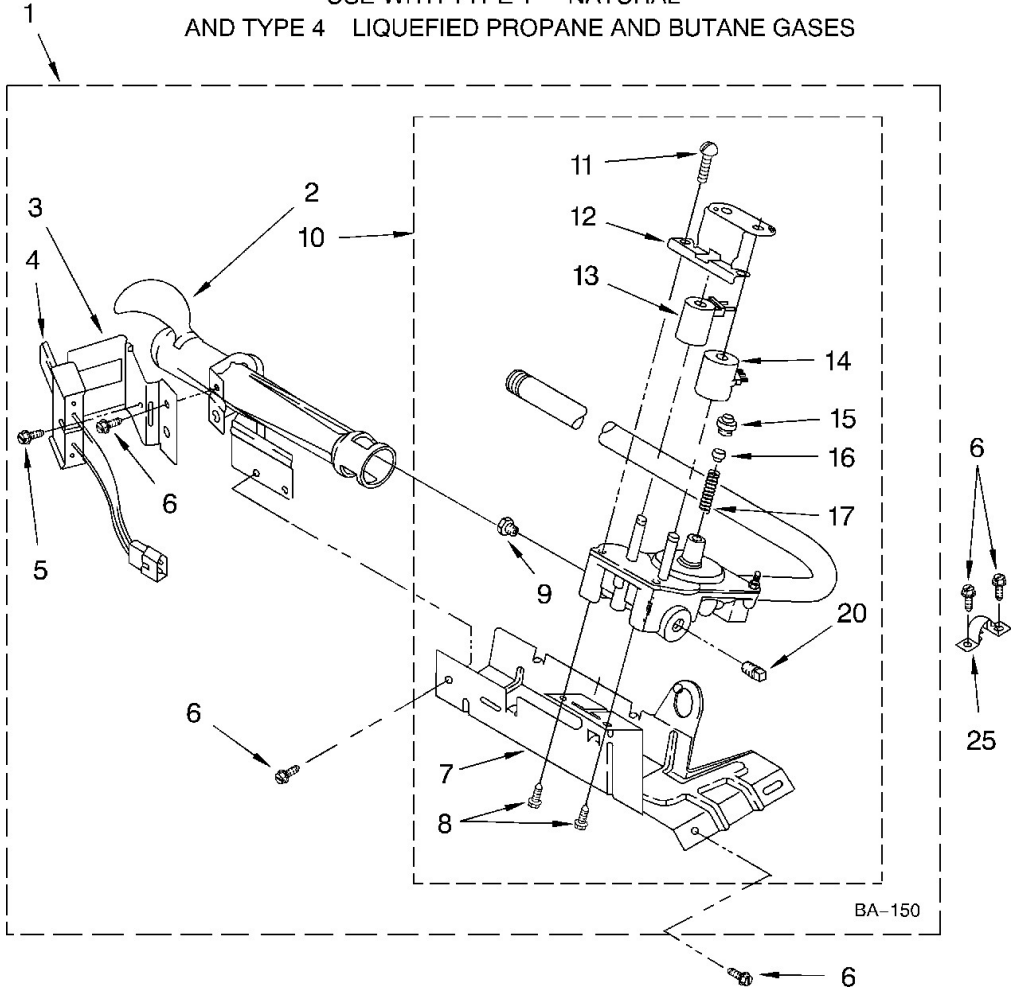
Distribuidor Autorizado

SurteRápido.com

Venta de Refacciones  
Electrodomesticas

# Secadora Whirlpool 7MLGR5620MQ

USE WITH TYPE 1 - NATURAL  
AND TYPE 4 LIQUEFIED PROPANE AND BUTANE GASES



Distribuidor Autorizado

**SurteRápido.com**

Venta de Refacciones  
Electrodomesticas

## Secadora Whirlpool 7MLGR5620MQ0

| <b>No.Ilus.</b> | <b>DESCRIPCIÓN</b>                                 | <b>No. de Parte</b> |
|-----------------|--|---------------------|
| <b>1</b>        | Burner Assembly 60 Hz.                             | 8318272             |
| <b>2</b>        | Tube, Burner                                       | 693140              |
| <b>3</b>        | Bracket, Ignitor                                   | 694298              |
| <b>4</b>        | Ignitor  | 279311              |
| <b>5</b>        | Screw & Washer (8-32 x 5/8)                        | 3393909             |
| <b>6</b>        | Screw, 10-16 x 1/2                                 | 681414              |
| <b>7</b>        | Base, Burner                                       | 693986              |
| <b>8</b>        | Screw, 8-18 x 3/8                                  | 90767               |
| <b>9</b>        | Orifice, Burner (Type 1)                           | 234826              |
|                 | Orifice, Burner (Type 4 (Butane))                  | 229742              |
|                 | Orifice, Burner (Type 4 (Propane))                 | 234868              |
| <b>10</b>       | Valve, 60 Hz. (Includes Pipe & Illus. 7)           | 8318277             |
| <b>11</b>       | Screw, 8-32 x 1/2 (2)                              | 694421              |
| <b>12</b>       | Bracket, Coil                                      | 694538              |
| <b>13</b>       | Coil, 60 Hz. (2 Terminal) (Main)                   | 694540              |
| <b>14</b>       | Coil, 60 Hz. (Split) (3 Terminal) (Pilot Position) | 694539              |
| <b>15</b>       | Leak Limiter                                       | 694424              |
| <b>16</b>       | Screw, Regulator Adjustment                        | 694423              |
| <b>17</b>       | Spring, Regulator                                  | 694422              |
| <b>20</b>       | Plug, Pipe   | 239822              |
| <b>25</b>       | Clamp, Pipe  | 341029              |
|                 | Conversion Kit L.P.G.                              | 49572               |