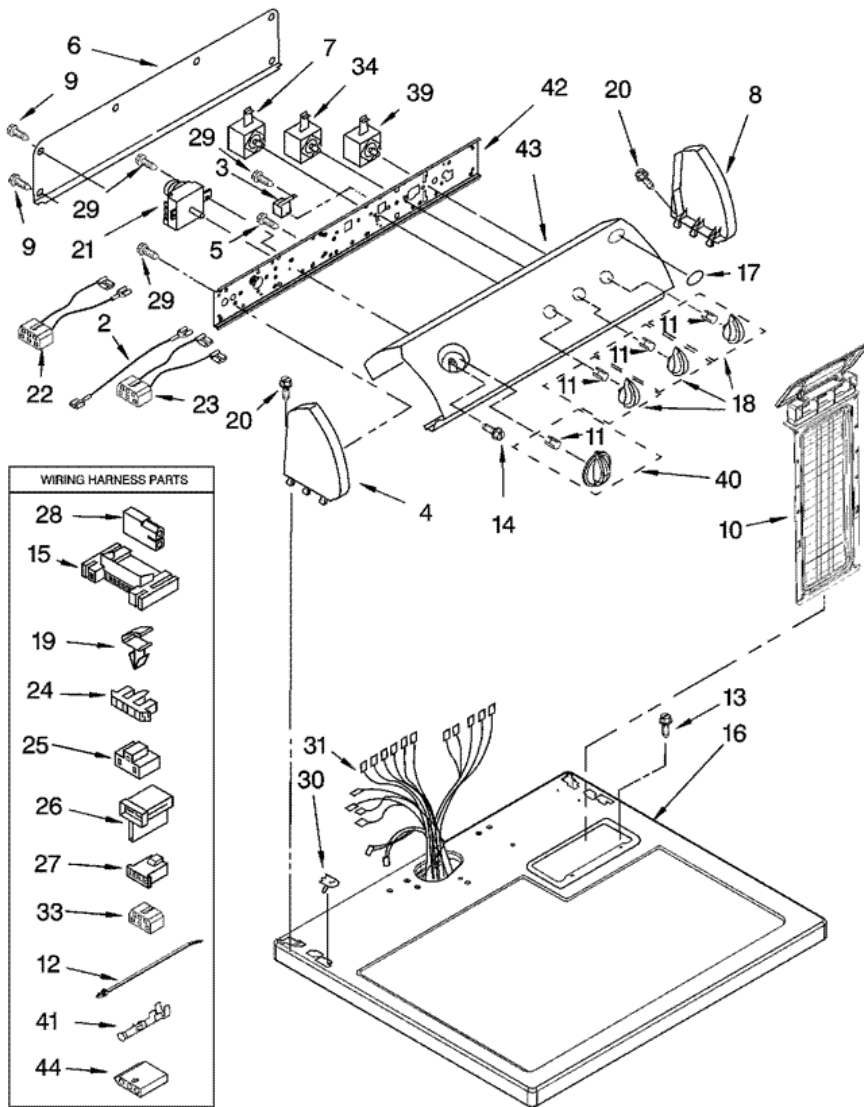


Distribuidor Autorizado

SurteRápido.com

Venta de Refacciones
Electrodomesticas

7MLGR8620PW1 TABLERO





7MLGR8620PW1 TABLERO

2	3401684	WIRE, JUMPER (BLACK) (S/P)
3	694419	BUZZER, MINI (S/P)
4	279962	CAP, END (L.H.) (S/P)
5	8533971	SCREW, 8-18 X 5/16 (S/P)
6	8274261	PANEL, REAR CONSOLE (S/P)
7	3399639	SWITCH, TEMPERATURE
8	279962	CAP, END (R.H.) (S/P)
9	693995	SCREW, HEX WASHER HEAD DESCONTINUADO
10	8557857	SCREEN, LINT (S/P)
11	8536939	CLIP, SPRING (S/P)
12	3391249	CABLE, TIE (S/P)
13	688983	SCREW, 8-18 X 5/8 (S/P)
14	8533951	SCREW, GROUNDING (S/P)
15	3395683	CONNECTOR (MOTOR) (S/P)
16	8563985	TOP (S/P)
17	3400985	MEDALLION (S/P)
18	8544937	KNOB, CONTROL (3) (S/P)
19	3394427	CLIP-HARNESS (S/P)
20	388326	SCREW, CONSOLE (S/P)
21	8299766	TIMER ASSEMBLY (60 HZ.) (S/P)
22	3397695	WIRE, JUMPER (GUARD ON/OFF) (S/P)
23	8539893	WIRE, JUMPER (TEMPERATURE) (S/P)
24	3397269	CONNECTOR-TIMER (S/P)
25	3401144	CONNECTOR, (PTS RELAY) (S/P)
26	3403499	CONNECTOR, 2-POSITION (GAS VALVE) (S/P)
27	3403498	CONNECTOR, 3-POSITION (GAS VALVE) (S/P)
28	717252	PLUG, 2-WAY TERMINAL (S/P)
29	3390646	SCREW, 8-18 X 5/16 (S/P)
30	357213	NUT, PUSH-IN (2) (S/P)
31	8299879	HARNESS, WIRING (S/P)
33	3347243	CONNECTOR 6-CIRCUIT (S/P)
34	3405156	SWITCH, WRINKLE SHIELD (S/P)
39	3398095	SWITCH, PUSH-TO-START (S/P)

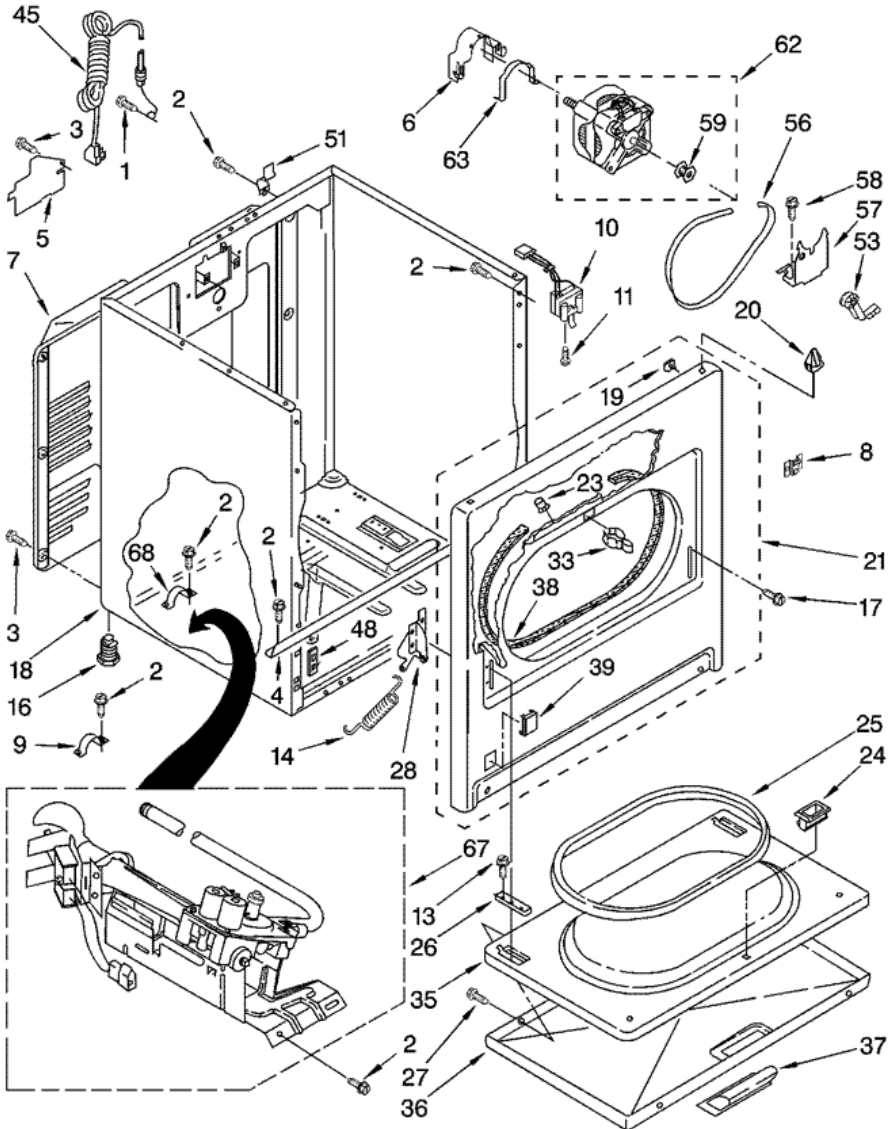
40	8544957	TIMER KNOB ASSEMBLY (S/P)
41	94614	TERMINAL, FEMALE (S/P)
42	8544895	BRACKET, CONTROL (S/P)
43	8564210	PANEL, CONTROL (INCLUDES ILLUS. 17) (S/P)
44	3936144	CONNECTOR (S/P)

Distribuidor Autorizado

SurteRápido.com

Venta de Refacciones
Electrodomesticas

7MLGR8620PW1 GABINETE





7MLGR8620PW1 GABINETE

1	697776	SCREW, 10-32 X 5/8 (EXTERNAL GROUND) (S/P)
2	343641	SCREW, 10-16 X 1/2 (S/P)
3	693995	SCREW, HEX HEAD DESCONTINUADO
4	8541400	BRACKET, CABINET (S/P)
5	3396795	COVER, BLOCK (S/P)
6	3404162	CLAMP, MOTOR (W/SHIELD) (S/P)
7	3396805	PANEL, REAR (S/P)
8	8546676	CLIP, DOOR SPRING (S/P)
9	3980175	CLAMP, ELBOW (BURNER) (S/P)
10	3406107	DOOR SWITCH ASSEMBLY
11	697773	SCREW, 6-20 X 7/8 (S/P)
13	3357011	SCREW, 10-16 X 1/2 (S/P)
14	8541401	SPRING, DOOR (2) (S/P)
16	279810	FOOT-OPTIONAL (EXTENDED LENGTH) (S/P)
16	3392100	FOOT, DRYER
17	342043	SCREW, 10-32 X 3/8 (S/P)
18	8530603	CABINET (INCLUDES ILLUS. 4) (S/P)
19	98234	CLIP, GROUND (2) (S/P)
20	690363	LOCK, FRONT TOP (2)
21	3395197	PANEL FRONT (S/P)
23	685203	CLIP, FELT PAD (2) (S/P)
24	3389441	CATCH, DOOR ASSEMBLY (S/P)
25	3390731	SEAL, DOOR
26	337189	CLIP, HINGE (2) (S/P)
27	694091	SCREW, 8-18 X 3/8 (S/P)
28	8066056	HINGE, R.H. (S/P)
28	8066057	HINGE, L.H. (S/P)
33	696144	STRIKE, PANEL
35	695737	DOOR, REAR (S/P)
36	3393549	DOOR, FRONT (S/P)
37	690270	HANDLE, DOOR (S/P)
38	3406129	SEAL & BEARING ASSEMBLY
39	3394975	PLUG, FRONT PANEL (S/P)

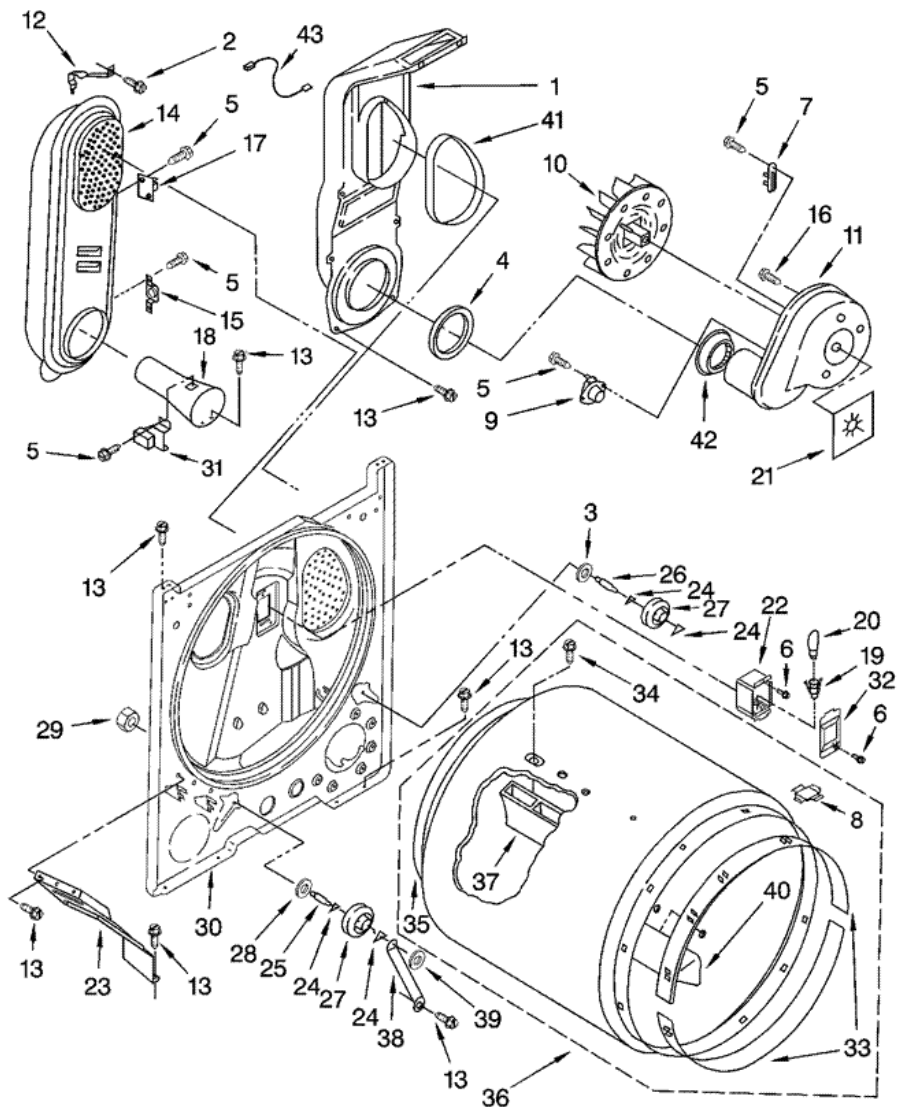
45	3401402	CORD, POWER
48	3394083	CLIP, FRONT PANEL (2)
51	8066217	HINGE, TOP (2) (S/P)
53	691366	IDLER & PULLEY ASSEMBLY
56	341241	BELT, DRIVE
57	348780	BASE, MOTOR (S/P)
58	3400500	BOLT, 5/16-18 X 3/4 (S/P)
59	3394341	PULLEY, 60 HZ. (S/P)
62	279827	MOTOR ASSEMBLY 60 HZ.
63	343481	CLAMP, MOTOR (S/P)
67	279990	BURNER ASSEMBLY, 60 HZ. (S/P)
68	341029	CLAMP, PIPE (S/P)

Distribuidor Autorizado

SurteRápido.com

Venta de Refacciones
Electrodomesticas

7MLGR8620PW1 TAMBOR



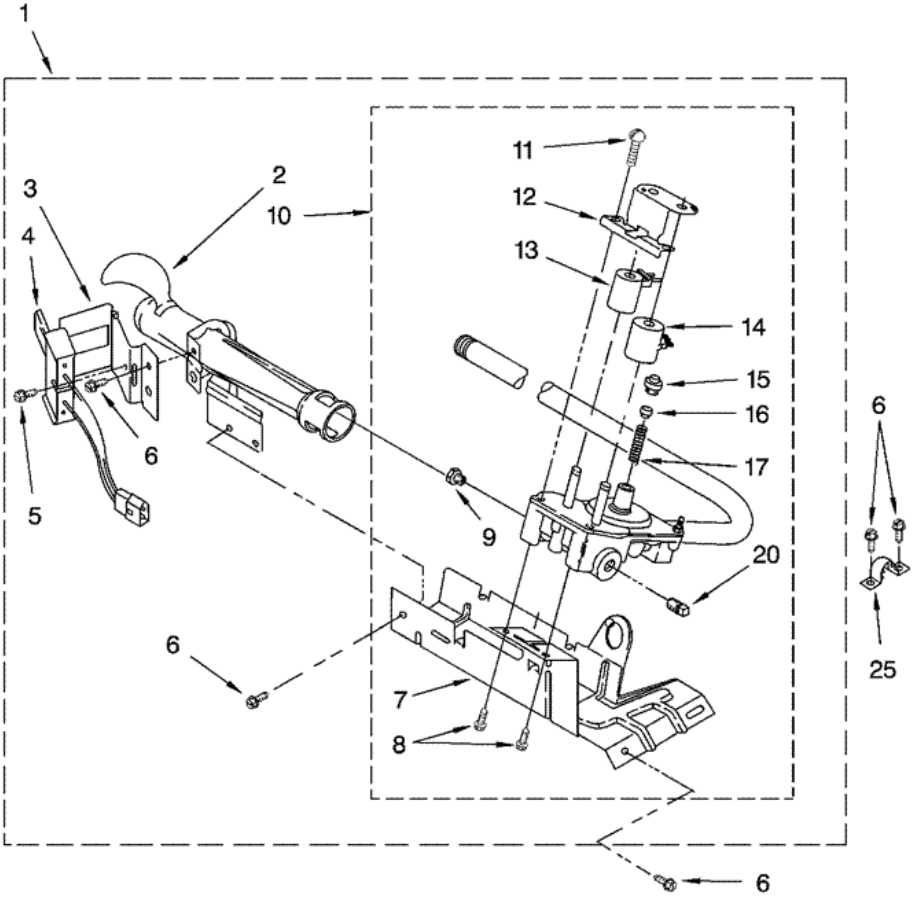


7MLGR8620PW1 TAMBOR

1	3396352	LINT CHUTE ASSEMBLY (S/P)
2	489463	SCREW, 8-18 X 5/8 (S/P)
3	3388703	WASHER-SUPPORT (S/P)
4	347139	SEAL, LINT CHUTE (S/P)
5	90767	SCREW, 8-18 X 3/8 (S/P)
6	487909	SCREW, 8-15 X 1/2 (S/P)
7	3392519	FUSE, THERMAL
8	8066086	DRUM HOLE PLUG (S/P)
9	3387134	THERMOSTAT, INTERNAL-BIAS
10	694089	WHEEL, BLOWER (INCLUDES ILLUS. 21)
11	8577230	HOUSING, BLOWER (S/P)
12	279771	CLIP (S/P)
13	343641	SCREW, 10-16 X 1/2 (S/P)
14	279980	BOX, HEATER (S/P)
15	3403140	THERMOSTAT, 205 F (96 C)
16	3390647	SCREW, 8-18 X 1/2 (S/P)
17	279769	KIT, THERMAL CUT-OFF (INCLUDES ILLUS. 15)
18	8066049	FUNNEL, BURNER (S/P)
19	3403634	SOCKET ASSEMBLY (S/P)
20	22002263	BULB (S/P)
21	3394196	SEAL, BLOWER (S/P)
22	3977373	BRACKET, DRUM LIGHT (S/P)
23	3406022	BRACKET, BULKHEAD (S/P)
24	690997	RING, TRI (S/P)
25	3399506	SHAFT, L.H.
26	339489	SHAFT, R.H.
27	349241	ROLLER, SUPPORT
28	348197	WASHER, SUPPORT (S/P)
29	3359452	NUT, 3/8-16 (S/P)
30	3403413	BULKHEAD (S/P)
31	338906	SENSOR, RADIANT
32	3402841	LENS, DRUM LIGHT (S/P)
33	279441	RING, BEARING

34	97787	SCREW, 11-16 X 3/4 (S/P)
35	279857	SEAL, REAR DRUM
36	695587	DRUM ASSEMBLY (S/P)
37	692490	BAFFLE, DRUM (2) (S/P)
38	3976434	BRACKET, SUPPORT (S/P)
39	90296	CLIP (S/P)
40	3403636	BAFFLE, DRUM (1) (S/P)
41	339956	SEAL (S/P)
42	696302	SHIELD, EXHAUST (S/P)
43	3401707	WIRE, JUMPER (S/P)

7MLGR8620PW1 QUEMADOR





7MLGR8620PW1 QUEMADOR

1	279990	BURNER ASSEMBLY 60 HZ. (TYPE 1) (S/P)
2	693140	TUBE, BURNER (S/P)
3	694298	BRACKET, IGNITOR (S/P)
4	WE4X750	IGNITOR
5	3393909	SCREW & WASHER (8-32 X 5/8) (S/P)
6	343641	SCREW, 10-16 X 1/2 (S/P)
7	693986	BASE, BURNER DESCONTINUADO
8	3387057	SCREW, 8-18 X 3/8 (S/P)
9	229742	ORIFICE, BURNER (TYPE 4 (BUTANE)) (S/P)
9	234868	ORIFICE, BURNER (TYPE 4 (PROPANE)) (S/P)
9	234826	ORIFICE, BURNER (TYPE 1) (S/P)
10	8318277	VALVE, 60 HZ. (INCLUDES PIPE & ILLUS. 7)
11	694421	SCREW, 8-32 X 1/2 (2) (S/P)
12	694538	BRACKET, COIL (S/P)
13	694540	COIL, 60 HZ. (2 TERMINAL) (MAIN) (S/P)
14	694539	COIL, 60 HZ. (SPLIT) (3 TERMINAL) (S/P)
15	694424	LEAK LIMITER (S/P)
16	694423	SCREW, REGULATOR ADJUSTMENT (S/P)
17	694422	SPRING, REGULATOR (S/P)
20	239822	PLUG, PIPE (S/P)
25	49572	CONVERSION KIT (TYPE 1) TO TYPE (4) L.P.G.
25	341029	CLAMP, PIPE (S/P)