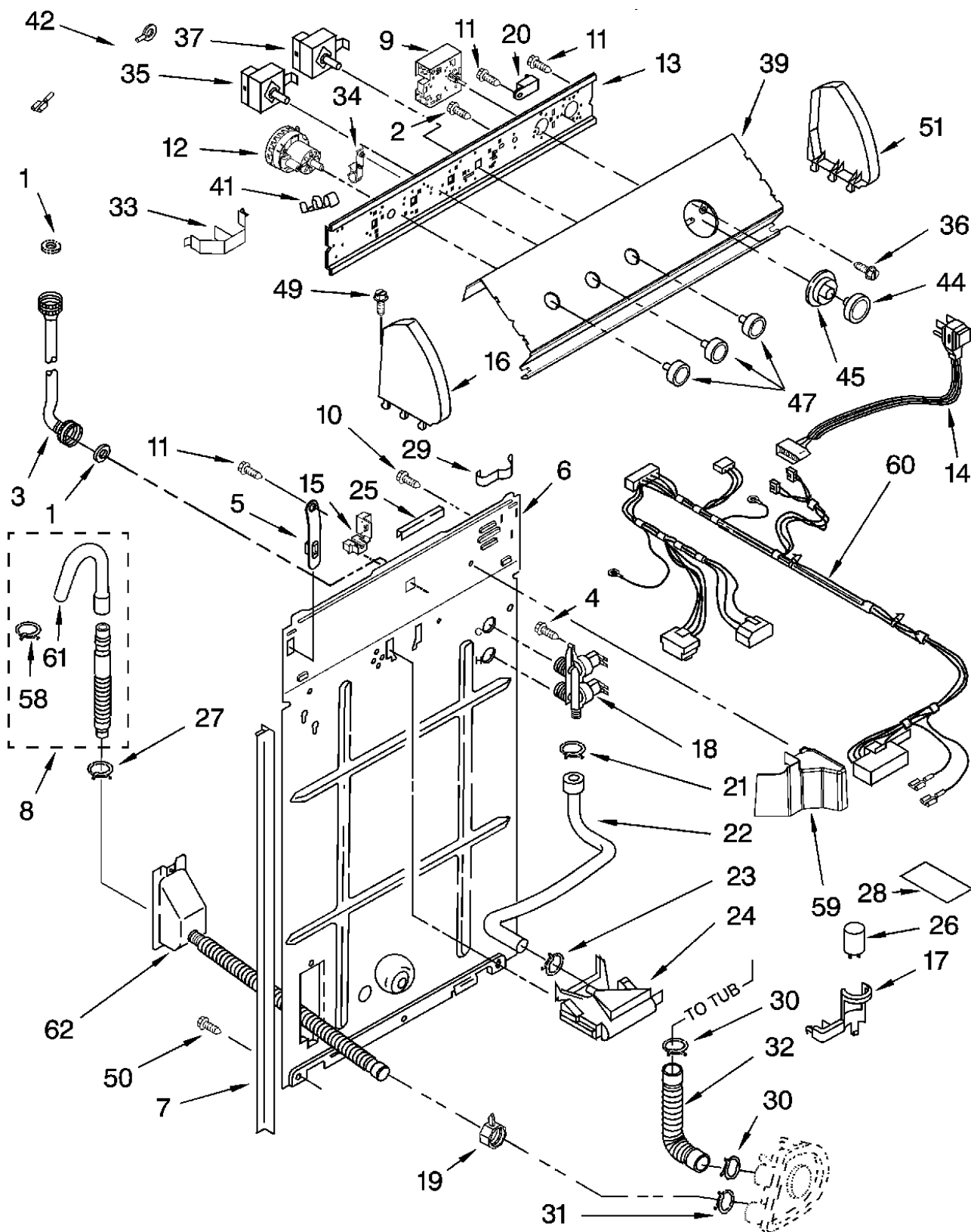
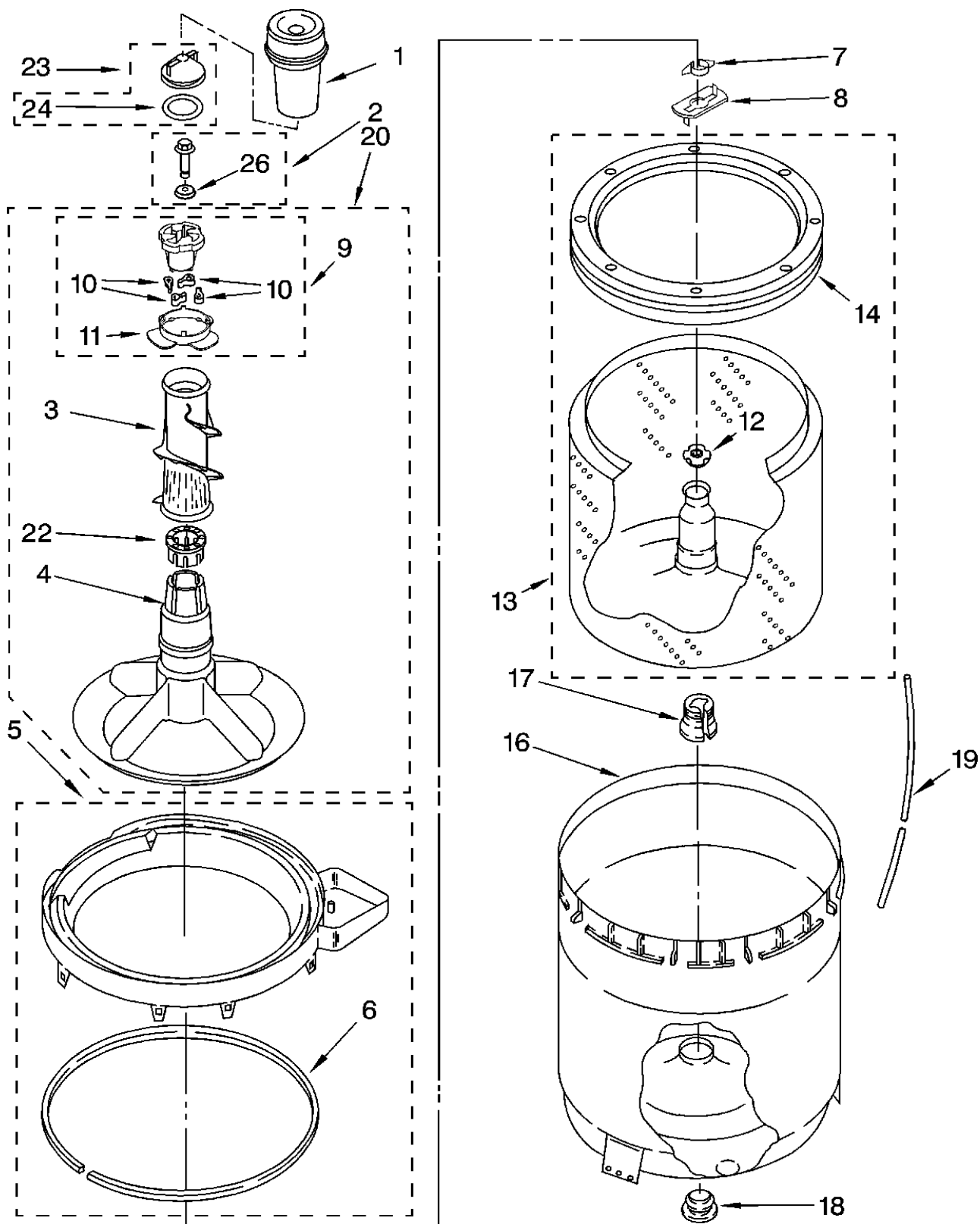


Marca		Whirlpool	
Capacidad		11 Kg	
Color		Blanco	
R e f	Descripción	C a n t	Numero de Parte
<b>TOP AND CABINET</b>			
2	Top (White)	1	6271378
	Top (Biscuit)		6271380
3	Spacer, Cabinet To Top (4)	4	62750
4	Nut, Push-In (2)	2	337213
5	Cabinet (White)	1	63424
	Cabinet (Biscuit)		3954337
6	Clip, Top & Cabinet & Rear Panel (2)	2	62760
7	Cabinet -Sound Damper	1	3976346
8	Screw & Washer, Lid Switch (2)	2	3350311
9	Screw, 10-16 x 1/2	1	308085
10	Shield, Lid Switch	1	3950994
11	Switch, Lid	1	3950296
12	Nut, Hex	1	680762
13	Screw, Lid Hinge Mounting (4)	4	335274
14	Screw, 10-24 x 3/8	1	3351614
15	Hinge, Lid (L.H.)	1	34564
16	Hinge, Lid (R.H.)	1	91770
17	Bumper, Lid Hinge	1	19119
18	Bearing, Lid Hinge (2)	2	21256
19	Lid (White)	1	265932
	Lid (Biscuit)		265933
20	Strike, Lid Switch	1	338084
22	Bumper, Lid (2)	2	9724509
28	Screw, 10-16 x 3/8 (4)	4	9420601
31	Clip, Harness	1	90016
32	Dispenser, Bleach	1	3362932

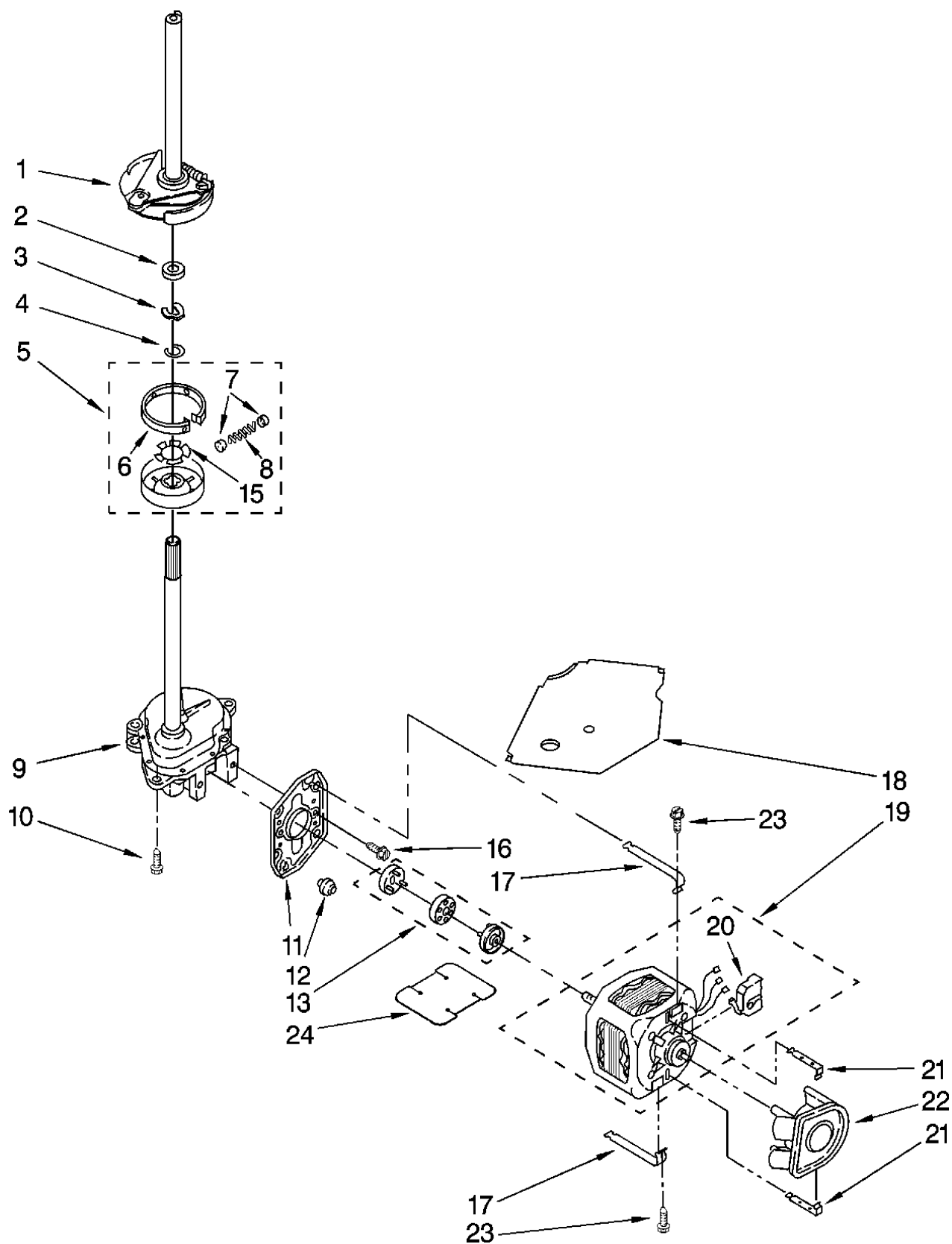


Marca		Whirlpool	
Capacidad		11 Kg	
Color		Blanco	
R e f	Descripción	C a n t	Numero de Parte
<b>CONTROLS AND REAR PANEL</b>			
1	Washer, Water Inlet Hose (4) (1-1/16 x 5/8)	4	10123
2	Screw, Ground	1	3179795
3	Hose, Water Inlet (2) (Blue Coupler)	2	09505
	Hose, Water Inlet (2) (Red Coupler)	2	09505
4	Screw, 8-18 x 1/2	1	9740648
5	Strap, Console (2)	2	050514
6	Panel, Rear	1	0510405
7	Pad, Rear Panel	1	02141
8	Hose, Drain (4 Ft.)	1	205004
	Hose, Drain (9 Ft.) (Not Included)		205000
	Extension Drain Hose (21 Inches) (Not Included.)		205702
9	Timer, Control (60 Hz.) (Motor Not A Service Part)	1	3955521
10	Screw, Ground	1	3351014
11	Screw, 8-18 x 3/8	1	90707
12	Switch, Water Level	1	3300040
13	Bracket, Control	1	3940000
14	Cord, Power (Includes 15)	1	0552150
15	Strain Relief, Power Cord	1	205777
16	Cap, End (L.H.) (White)	1	279902
	Cap, End (L.H.) (Biscuit)		0514052
17	Clip, Capacitor	1	0510040
18	Valve, Water Mixing	1	205005
19	Clamp, Hose	1	3970395
20	Mini-Buzzer	1	094419
21	Clamp, Hose	1	390009
22	Hose, Vacuum Break	1	0517920
23	Clamp, Hose	1	390009
24	Break, Vacuum	1	3300977
25	Edge Protector	1	3307009
26	Capacitor, Motor Start	1	001000
27	Clamp, Hose	1	330130
28	Shield, Capacitor	1	3970200
29	Clip, Harness	1	0520551
30	Clamp, Hose	1	010099
31	Clamp, Hose	1	205055
32	Hose, Pump To Tub (Includes 30)	1	205071
33	Clip, Harness & Pressure Hose	1	0555005
34	Retainer, Harness	1	0517975

Marca		Whirlpool	
Capacidad		11 Kg	
Color		Blanco	
R e f	Descripción	C a n t	Numero de Parte
<b>CONTROLS AND REAR PANEL</b>			
35	Switch, Water Temperature	1	001014
36	Screw, Timer Mounting	1	3400610
37	Switch, Rotary	1	001013
39	Panel, Console (White)	1	0551971
	Panel, Console (Biscuit)		0551972
41	Clip, Grounding	1	357572
42	Wire, Ground	1	3393339
44	Knob, Timer (White)	1	0211343
	Knob, Timer (Biscuit)		0211347
45	Dial, Timer (White)	1	0211351
	Dial, Timer (Biscuit)		0211370
47	Knob, Control (White)	1	0211339
	Knob, Control (Biscuit)		0211348
49	Screw, 8-18 x 1.25 (Panel to Top)	1	300320
50	Screw, 10-16 x 3/8	1	9420001
51	Cap, End (R.H.) (White)	1	279902
	Cap, End (R.H.) (Biscuit)		0514051
58	Clamp, Drain Hose	1	3357331
59	Shield, Inlet Valve	1	0514079
60	Harness, Wiring (For Detail See Pages 9 & 10)	1	3900731
61	Nozzle-Drain Hose	1	3357027
62	Drain Hose Assembly	1	0517940

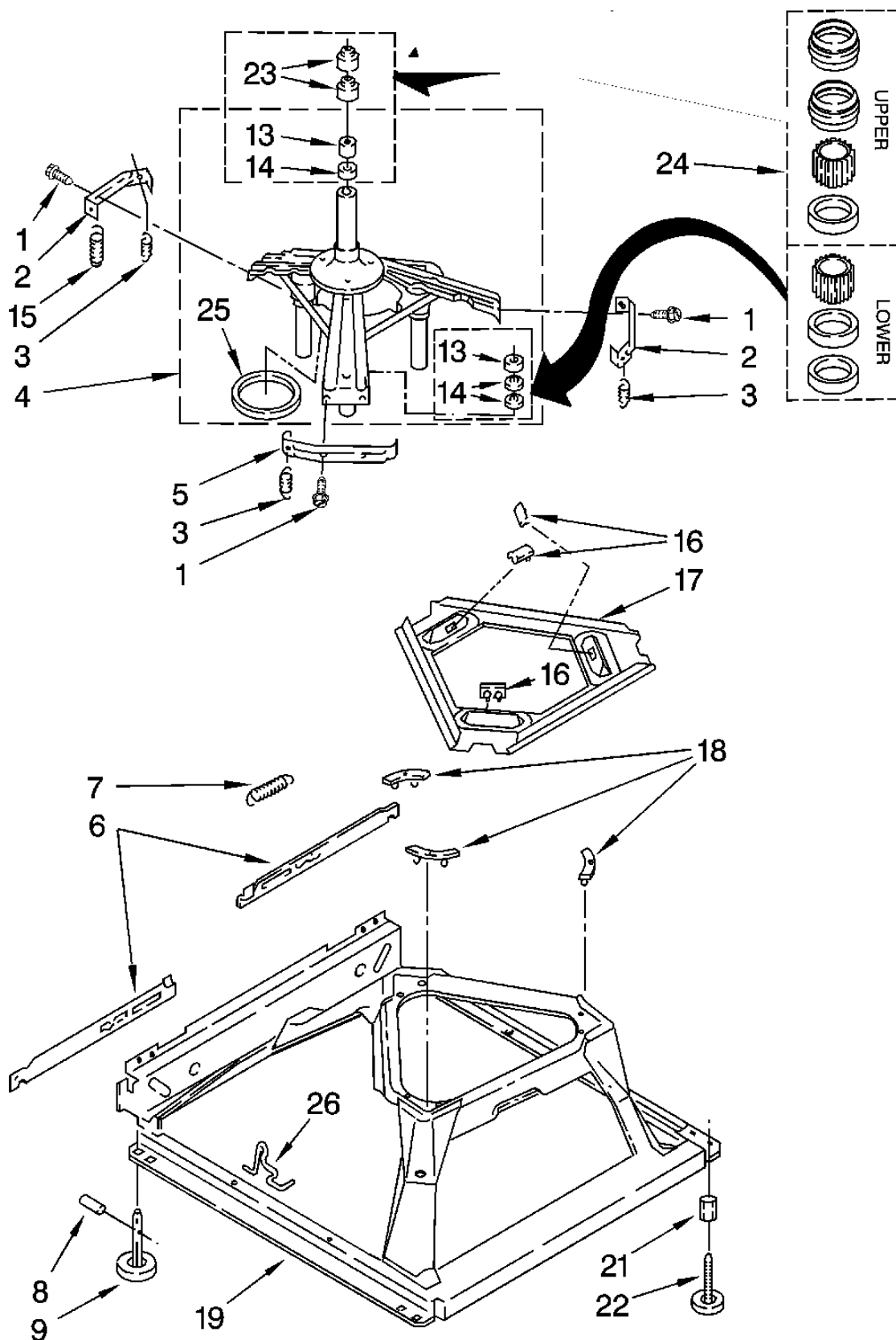


Marca		Whirlpool	
Capacidad		11 Kg	
Color		Blanco	
R e f	Descripción	C a n t	Numero de Parte
<b>AGITATOR, BASKET AND TUB</b>			
1	Dispenser	1	65580
2	Screw & Washer (5/16-24 x 1)	1	285009
3	Clothes Mover	1	3363003
4	Agitator	1	3951632
5	Tub Ring & Gasket	1	6526150
6	Gasket, Tub Ring	1	3976308
7	Clip, Agitator	1	3354843
8	Washer, Agitator	1	3355921
9	Cam Driven	1	285809
10	Dog, Agitator Clutch	1	80040
11	Bearing-Driven Cam	1	3952374
12	Nut, Spanner	1	21300
13	Basket & Balance Ring	1	6520017
14	Balance Ring	1	6519788
16	Tub	1	65849
17	Block, Basket Drive	1	389140
18	Gasket, Centerpost	1	383727
19	Hose, Pressure Switch	1	353244
20	Agitator (Complete)	1	3951744
22	Spacer, Thrust	1	3951606
23	Cap, Barrier	1	285551
24	Seal, Inner Cap	1	3348855
26	Washer	1	3949350

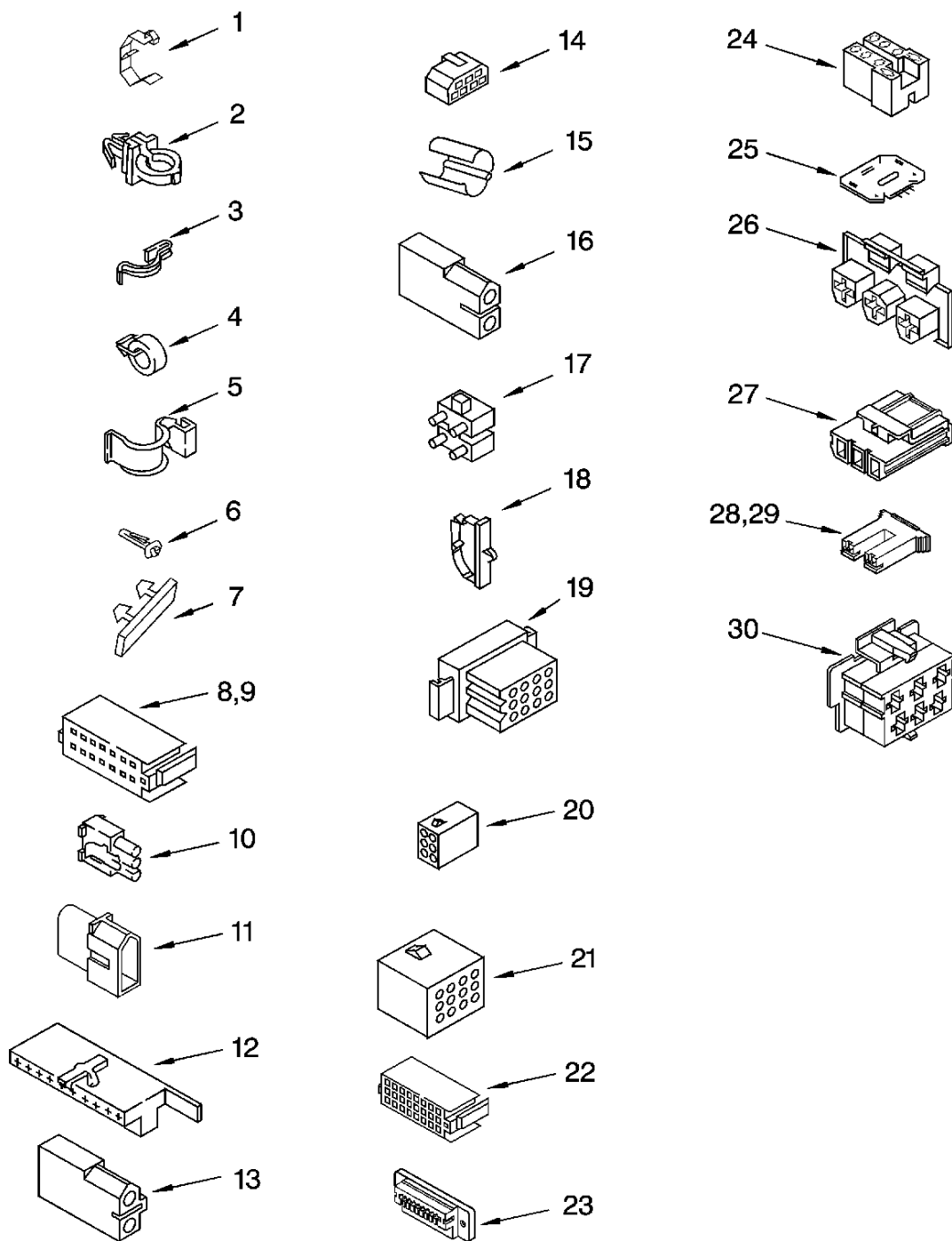




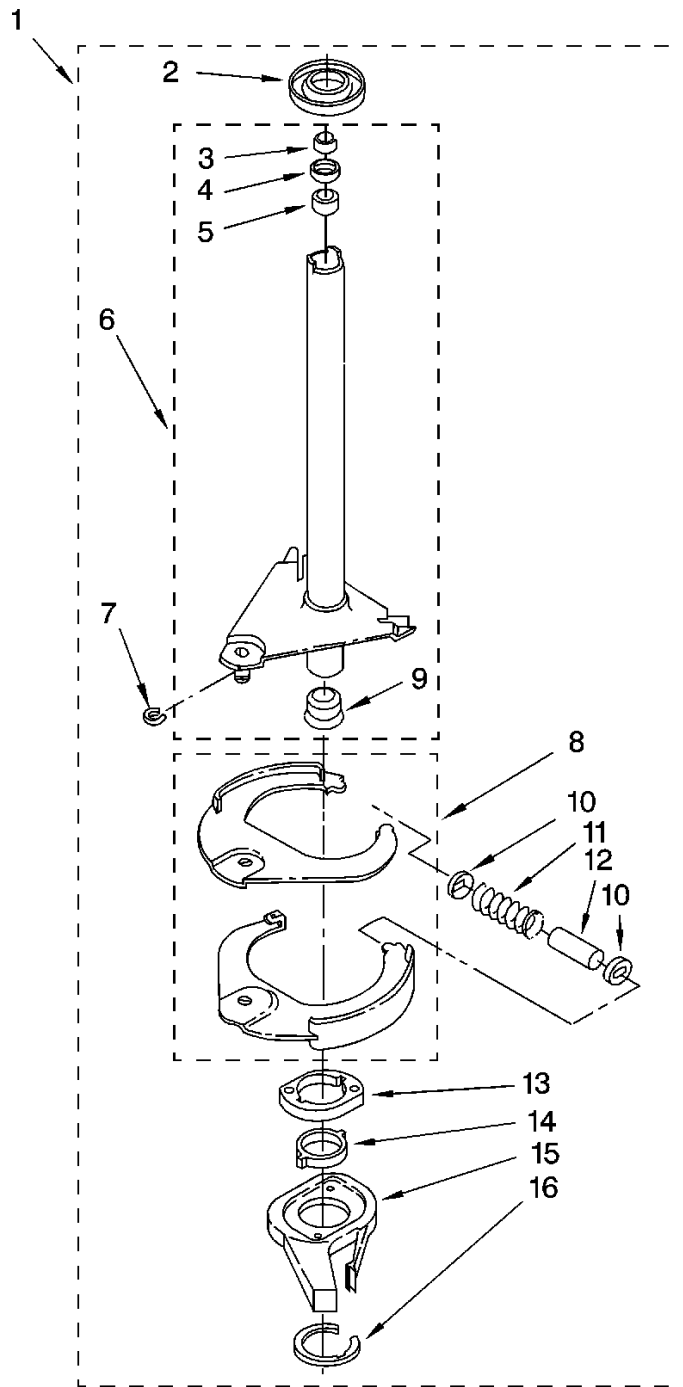
Marca		Whirlpool	
Capacidad		11 Kg	
Color		Blanco	
R e f	Descripción	C a n t	Numero de Parte
<b>BRAKE, CLUTCH, GEARCASE, MOTOR AND PUMP</b>			
1	Brake & Drive Tube (Complete) (Refer to Page 11 For Further Break	1	285792
2	Washer, Spin Tube Thrust	1	65292
3	Ring, Spin Tube Support	1	62097
4	Ring, Retainer	1	285353
5	Clutch (Complete)	1	285785
6	Band & Lining, Clutch (Includes Illus. 7 & 8)	1	285790
7	Cap, Clutch Spring (2)	2	62040
8	Spring, Clutch	1	3940792
9	Gearcase (Complete) (Refer To Page 12 For Further Breakdown)	1	3360629
10	Screw, Gearcase To Base (3)	3	3400310
11	Plate, Motor Mount To Gearcase	1	62011
12	Grommet, Motor (4)	4	62091
13	Coupling, Motor & Isolation	1	285753
15	Clip, Anti-Rattle	1	3353434
16	Screw	1	3400310
17	Retainer, Motor (2)	2	3349037
18	Shield, Tub To Motor	1	3362089
19	Motor, Main Drive	1	389248
20	Switch, Main Drive Motor	1	3952050
21	Retainer, Pump (2)	2	6540127
22	Pump (Complete)	1	3363394
23	Screw, 10-16 x 5/8	1	273550
24	Shield, Motor	1	3940332



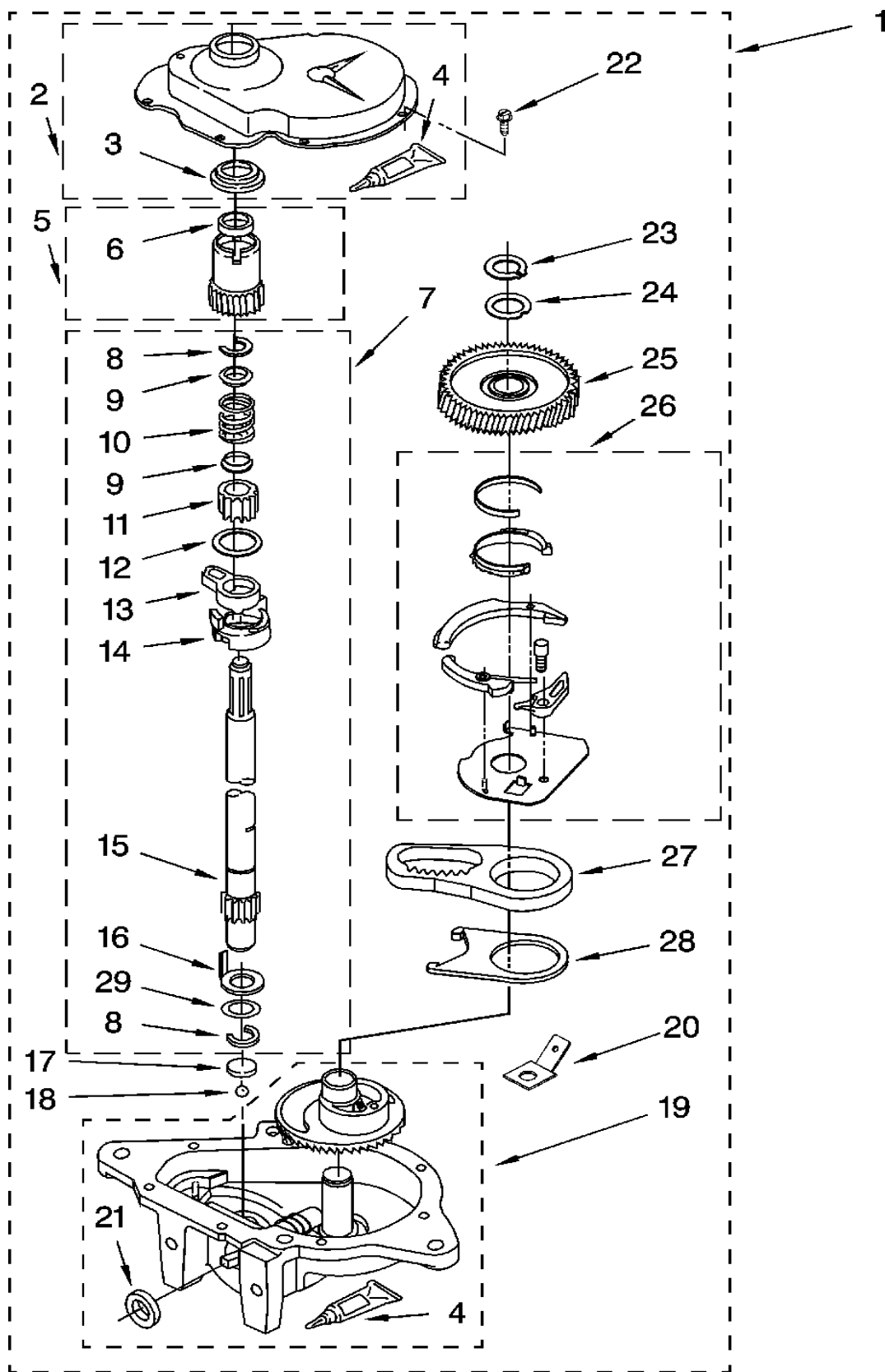
Marca		Whirlpool	
Capacidad		11 Kg	
Color		Blanco	
R e f	Descripción	C a n t	Numero de Parte
<b>MACHINE BASE</b>			
1	Screw, Bracket Mounting (10-32 x 5/8)	1	3400070
2	Bracket, Spring Outer (2)	2	04007
3	Spring Suspension,(3)	3	03907
4	Support & Brake, Tub	1	3302007
5	Bracket, Spring Outer (L.F.)	1	04005
6	Link, Leveling Mechanism (2)	2	03400
7	Spring, Leveling Mechanism	1	0310040
8	Pin, Knurled	1	02057
9	Foot, Rear (2)	2	205244
13	Bearing, Centerpost (2)	2	309390
14	Seal, Centerpost (3)	3	309449
15	Spring, Counterweight	1	300492
16	Pad, Plate	1	205219
17	Plate, Suspension (Includes Illus. 16)	1	3940009
18	Pad, Base	1	205744
19	Base Assembly (Includes Illus. 6, 7, 8, 9, 16, 17, 18, & 26 )	1	205771
21	Nut, Lock (3/8-16) (2)	2	3309452
22	Foot, Front (2)	2	309102
23	Seal, Centerpost (2)	2	300934
24	Centerpost Bearing Kit (Includes Illus. 13, 14 & 23)	1	205203
25	Ring, Sound Deadening	1	03134
26	Retainer, Suspension Spring	1	03000



Marca		Whirlpool	
Capacidad		11 Kg	
Color		Blanco	
R e f	Descripción	C a n t	Numero de Parte
<b>WIRING HARNESS</b>			
1	Clip, Harness	1	3349557
2	Clip, Harness	1	388498
3	Clip, Harness	1	8526351
4	Clip, Harness	1	8559320
5	Clip, Harness	1	90018
6	Clip, Harness	1	8281258
7	Retainer, (Suds Models)	1	389379
8	Timer, Block Disconnect (White)	1	352090
9	Timer, Block Disconnect (Black)	1	352089
10	Receptacle, Terminal (3-Way) (Lid Switch) (Use Term.94613) Or 94	1	82889
11	Plug, Terminal (3-Way) (Power Cord) (Use Term.94613)	1	333424
12	Block, Disconnect (Motor 2 Speed) (Use Term.352088)	1	82505
13	Block, Disconnect (Motor 3 Speed) (Use Term. 94613 Or 94614.)	1	3348075
14	Block, Disconnect (Use Term. 352088)	1	3347243
15	Protector	1	83323
16	Connector (2-Way) (Use Term.94614)	1	717252
17	Plug, Terminal (4-Way) (Power Cord) (Use M3 Screws)	1	387588
18	Clip, Harness	1	3352944
19	Block, Disconnect (12-Way) (Timer) (Use Term. 94613)	1	3390423
20	Receptacle (6-Way) (Use Term. 94613)	1	3347730
21	Plug, Terminal (12-Way) (Use Term. 94613 Or 94614.)	1	388818
22	Timer, Block Disconnect (Black) (Amp) (Use Term.3369365)	1	3389388
23	Connector, Etc	1	3349494
24	Connector, Relay (Use Term.308569)	1	80887
25	E.T.C. Control	1	3955728
26	Connector (T.P.A.) (3-Circuit) (Lid Switch) (Use Term. 3948619 OR	1	3948817
27	Connector (T.P.A.) (3-Circuit) (Pressure Switch) (Use Term.3948619	1	3380058
28	Block, Connector (Cold Valve) (Use Term.693217)	1	3354928
29	Block, Connector (Hot Valve) (Use Term.693217)	1	3354928
30	Connector (T.P.A.) (6-Circuit) (Temp. Switch) (Use Term.3948619 O	1	3948815

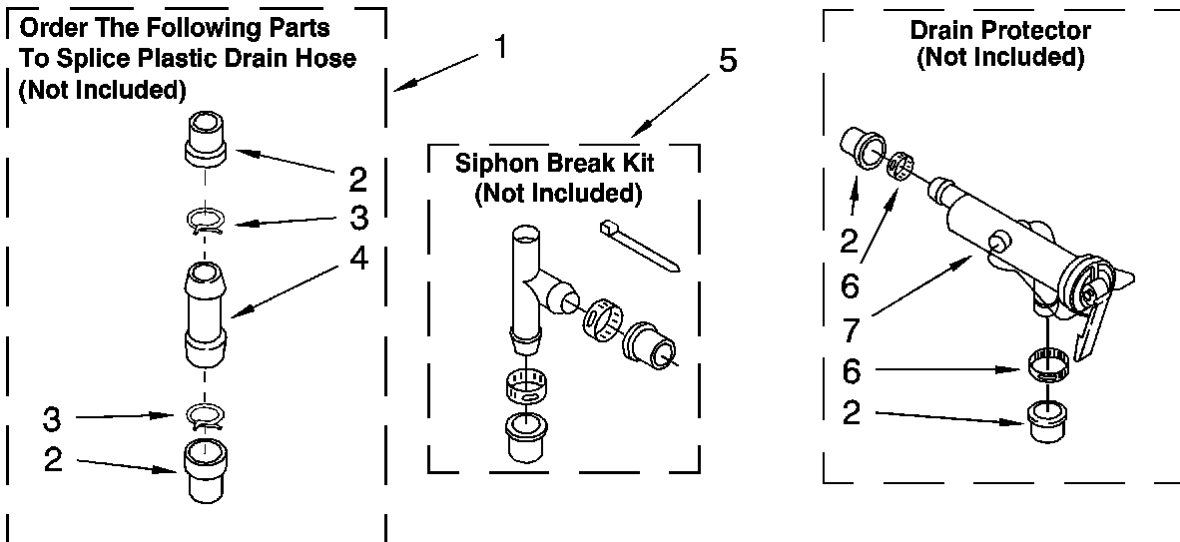


Marca		Whirlpool	
Capacidad		11 Kg	
Color		Blanco	
R e f	Descripción	C a n t	Numero de Parte
<b>BRAKE AND DRIVE TUBE</b>			
1	Brake And Drive Tube (Complete)	1	285792
2	Ring, Thrust	1	62658
3	Seal, Oil	1	91959
4	Seal, Drive Tube	1	356421
5	Spacer, Drive Tube	1	356957
6	Tube, Basket Drive (Includes Illus. 3, 4, 5 & 9)	1	64208
7	Ring, Retaining	1	64055
8	Shoe, Brake	1	285438
9	Ball Bearing, Spin Tube	1	62703
10	Cap, Brake Spring (2)	2	285658
11	Spring, Brake	1	367800
12	Sleeve, Brake Spring	1	285658
13	Cam, Brake Release	1	661516
14	Sleeve, Cam	1	63022
15	Driver, Brake Cam	1	285790
16	Ring, Retaining	1	90368





Marca		Whirlpool	
Capacidad		11 Kg	
Color		Blanco	
R e f	Descripción	C a n t	Numero de Parte
<b>GEARCASE</b>			
1	Gearcase (Complete)	1	330029
2	Cover, Gearcase	1	205202
3	Seal, Gearcase Cover	1	3349903
4	Sealer, Gasket (.20 Fl. Oz.) (6 ml)	1	205195
5	Pinion, Spin (Includes Illus. 25)	1	205302
6	Seal, Spin Pinion	1	330427
7	Shaft, Agitator (Complete)	1	309307
8	Ring, Retaining (2)	2	90309
9	Retainer, Spring (2)	2	02077
10	Spring, Agitate	1	02070
11	Gear, Agitate (Includes 15 & 29)	1	205309
12	Washer, Agitate Gear	1	02019
13	Cam Follower (Includes 14)	1	205200
14	Cam, Agitate (Includes 13)	1	205200
15	Shaft, Agitator (Includes 11 & 29)	1	205309
16	Washer, Cam Thrust	1	02010
17	Bearing, Thrust (Includes 18)	1	205203
18	Ball, Bearing (Includes 17)	1	205203
19	Bottom and Pinion, Gearcase	1	205315
20	Block Tab, Terminal	1	3949110
21	Seal, Thrust Plug	1	205352
22	Screw, Gearcase Cover Mounting (8) (10-24 x 3/8)	8	3351014
23	Ring, Retaining	1	205703
24	Washer Kit, Thrust	1	205700
25	Gear, Spin	1	205302
26	Neutral Assembly	1	300233
27	Rack, Connecting	1	3949009
28	Actuator, Shift	1	02021
29	Washer, Intermediate	1	300015



<b>Marca</b>		<b>Whirlpool</b>	
<b>Capacidad</b>		<b>11 Kg</b>	
<b>Color</b>		<b>Blanco</b>	
<b>R e f</b>	<b>Descripción</b>	<b>C a n t</b>	<b>Numero de Parte</b>
<b>WATER SYSTEM</b>			
1	Connector Kit, Plastic Drain Hose	1	285442
2	Sleeve Kit, (Contains 2 Sleeves)	1	285321
3	Clamp, Hose	1	285655
4	Connector, Straight	1	16272
5	Siphon Break Kit (Not Included)	1	285320
6	Clamp, Hose	1	285655
7	Drain Protector (Not Included)	1	367031