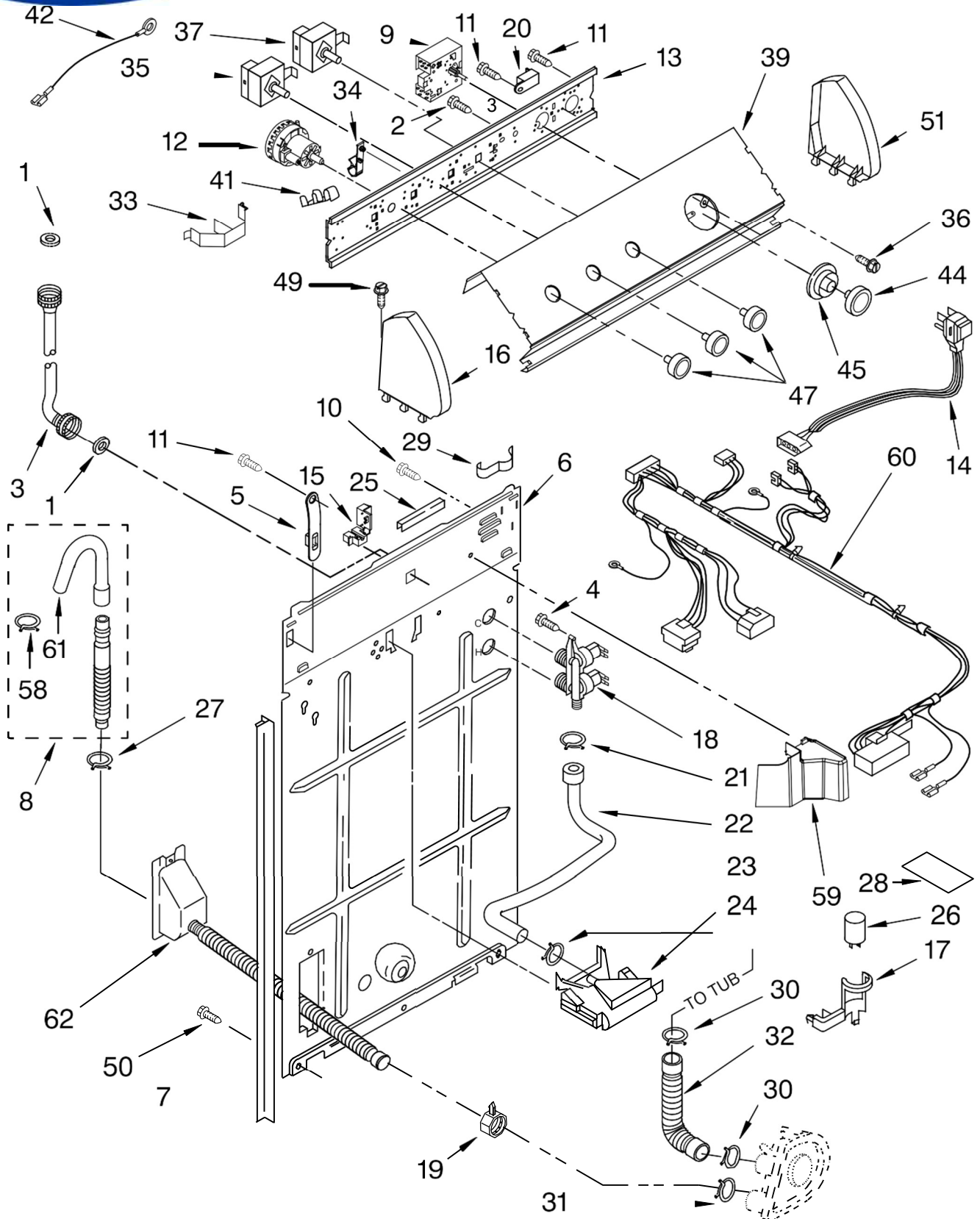


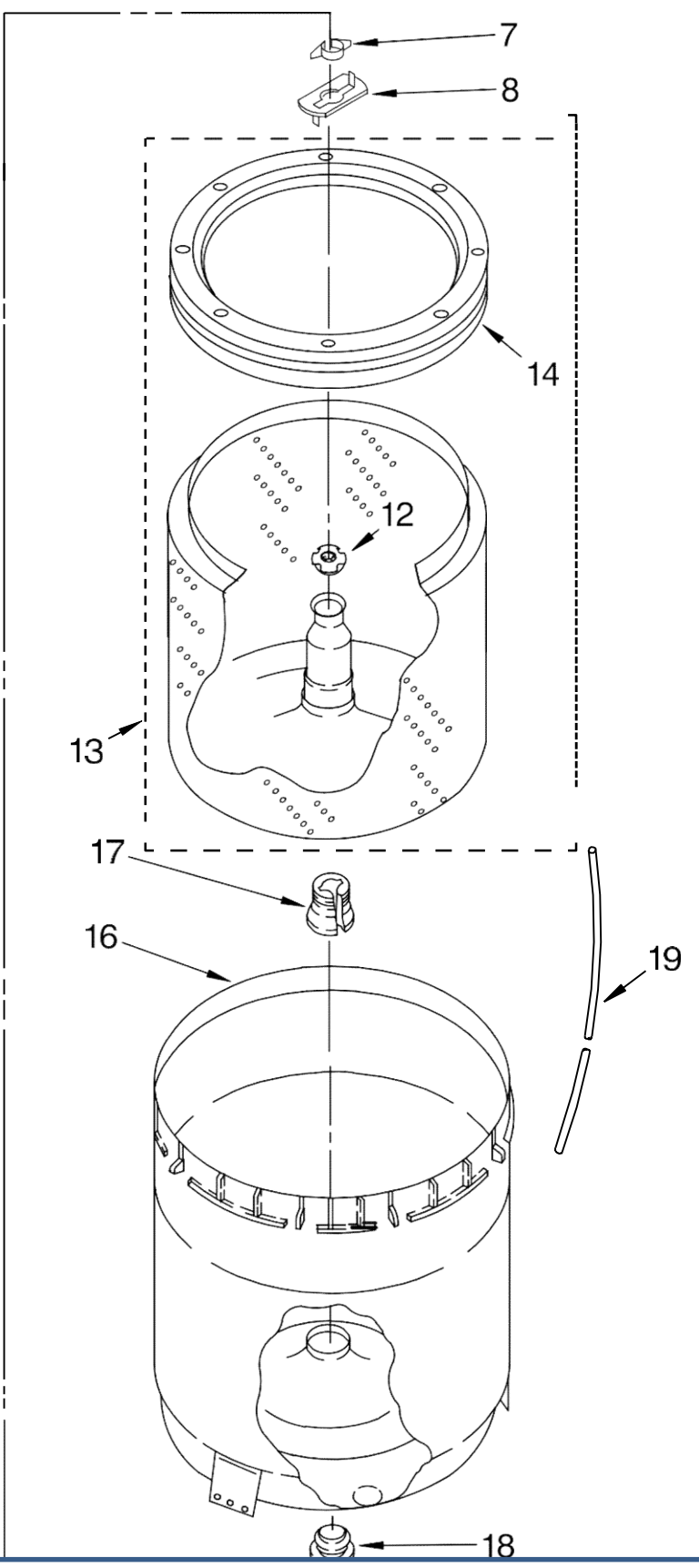
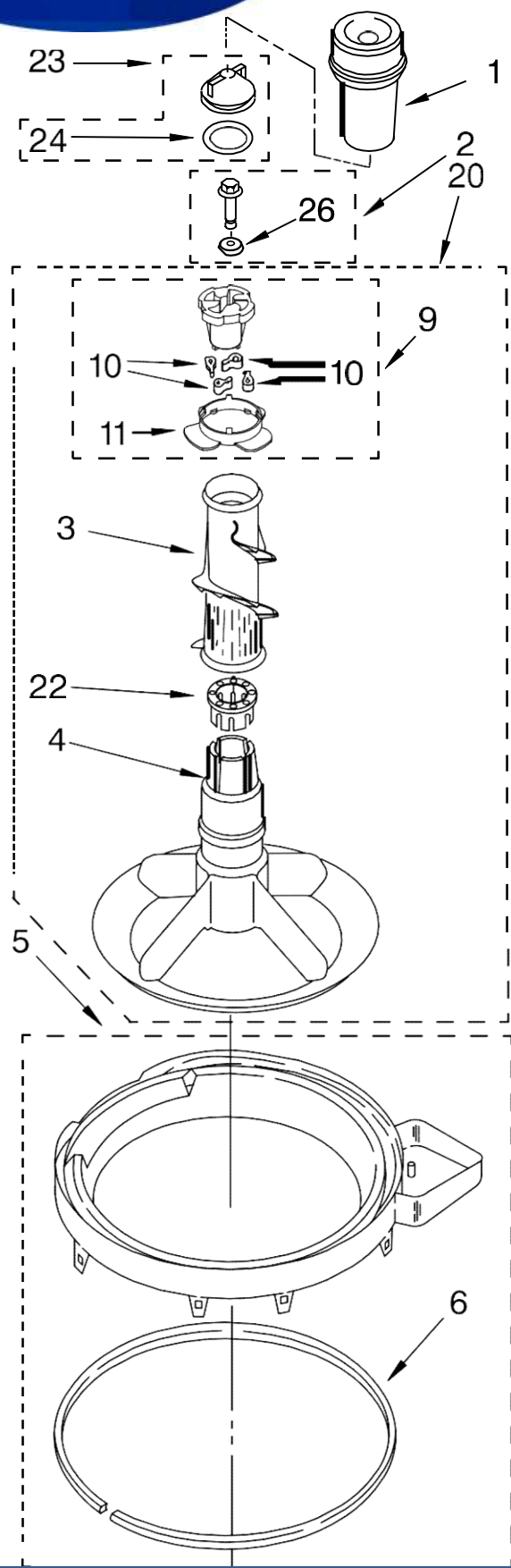
Illus. No.	Part No.	DESCRIPTION
1		Literature Parts
	LIT3954763	Installation Instructions
	LIT8539737	Use & Care Guide
	LIT8539772	Energy Guide (Mexico)
	LIT8543821	Wiring Diagram
2		Top
	8318064	White
	8318066	Biscuit
3	62750	Spacer, Cabinet To Top (4)
4	357213	Nut, Push-In (2)
5		Cabinet
	63424	White
	3954357	Biscuit
6	62780	Clip, Top & Cabinet & Rear Panel (2)
7	3976348	Cabinet -Sound Damper
8	3351614	Screw, Ground
9	3357011	Screw, 10-16 x 1/2
10	3362952	Dispenser, Bleach
11	8318084	Switch, Lid
12	3400901	Nut, Hex
13	3351355	Screw, Lid Hinge Mounting (4)
15	8318088	Hinge, Lid (L.H.)
16	54583	Hinge, Lid (R.H.)
17	19119	Bumper, Lid Hinge
18	21258	Bearing, Lid Hinge (2)
19		Lid
	8557513	White
	8557514	Biscuit
22	9724509	Bumper, Lid (2)
28	3390631	Screw, 10-16 x 3/8 (4)



Illus. No.	Part No.	DESCRIPTION	Illus. No.	Part No.	DESCRIPTION	Illus. No.	Part No.	DESCRIPTION
1	3976300	Washer, Water Inlet Hose (4) (1-1/16 x 5/8)	15	3949468	Strain Relief, Power Cord	37	3949180	Switch, Rotary Panel, Console
2	3179795	Screw, Ground	16		Cap, End (L.H.)	39	8531971	White
3		Hose, Water Inlet (2)		8271369	White		8531972	Biscuit
	3949374	Blue Coupler		8314852	Biscuit	41	357572	Clip, Grounding
	3949375	Red Coupler	17	8318201	Clip, Capacitor	42	3398893	Wire, Ground
4	9740848	Screw, 8-18 x 1/2	18	3952164	Valve, Water Mixing	44		Knob, Timer
5	8318255	Strap, Console (2)	19	3976395	Clamp, Hose		8271345	White
6	8318405	Panel, Rear	20	694419	Mini-Buzzer		8271347	Biscuit
7	62747	Pad, Rear Panel	21	8533946	Clamp, Hose	45		Dial, Timer
8	3951609	Hose, Drain (4 ft.)	22	8317974	Hose, Vacuum Break		8271351	White
	661577	Hose, Drain (9 ft.) (Not Included)	23	9724996	Clamp, Hose	47		Biscuit
	3357090	Extension Drain Hose (21 Inches) (Not Included.)	24	387606	Break, Vacuum		8271339	White
9	3953321	Timer, Control (60 Hz.) (Motor Not A Service Part)	25	303294	Edge Protector		8271348	Biscuit
10	3351614	Screw, Ground	26	661606	Capacitor, Motor Start	49	388326	Screw, 8-18 x 1.25 (Panel to Top)
11	90767	Screw, 8-18 x 3/8	27	3366912	Clamp, Hose	50	62863	Screw, 10-16 x 3/8
12	3366848	Switch, Water Level	28	3976286	Shield, Capacitor	51		Cap, End (R.H.)
13	3948608	Bracket, Control	29	3347812	Clip, Harness		8271363	White
14	8532158	Cord, Power (Includes #15)	30	3363366	Clamp, Hose		8314851	Biscuit
			31	8317496	Clamp, Hose	58	3366913	Clamp, Drain Hose
			32	3951449	Hose, Pump To Tub (Includes #30)	59	8314879	Shield, Inlet Valve
			33	8055003	Clip, Harness & Pressure Hose	60	3956731	Harness, Wiring (For Detail See Pages 9 & 10)
			34	8317975	Retainer, Harness	61	3357027	Nozzle-Drain Hose
			35	661614	Switch, Water Temperature	62	8317940	Drain Hose Assembly
			36	3400818	Screw, Timer Mounting			



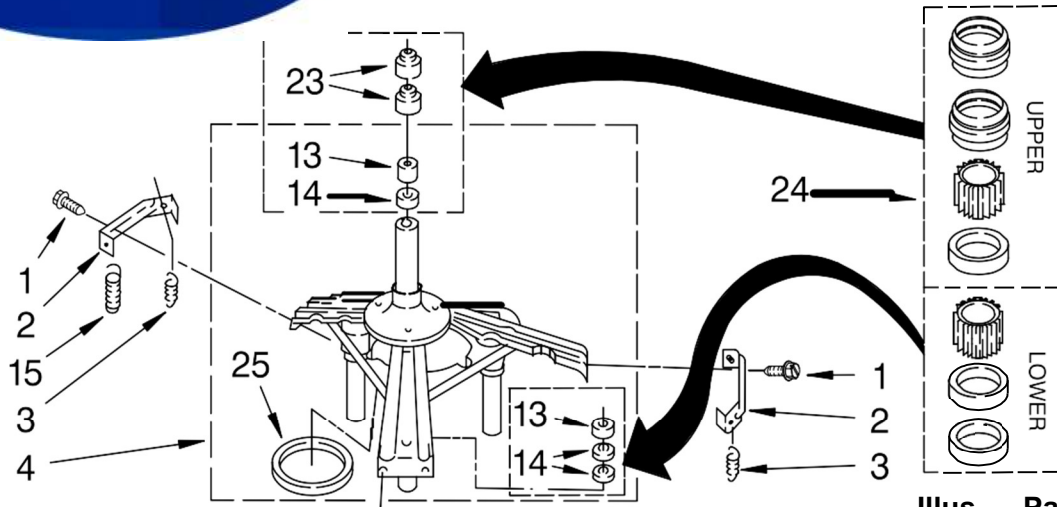
LAVADORA 7MLSQ8543JQ6/JT6



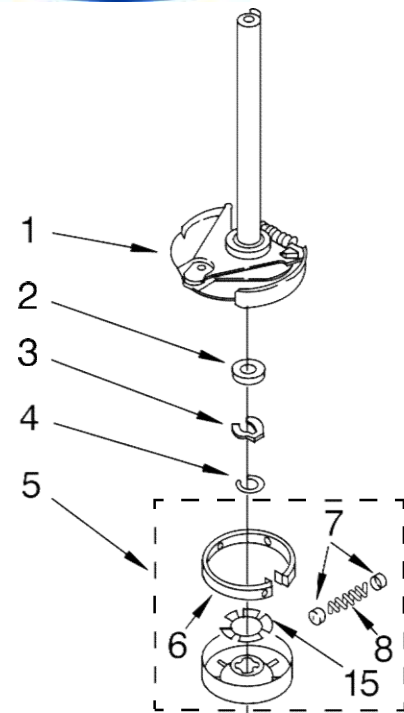


LAVADORA 7MLSQ8543JQ6/JT6

Illus. No.	Part No.	DESCRIPTION
1	63580	Dispenser
2	358237	Screw & Washer (5/16-24 x 1)
3	3363003	Clothes Mover
4	3951632	Agitator
5	8528150	Tub Ring & Gasket
6	3976308	Gasket, Tub Ring
7	3354845	Clip, Agitator
8	3355921	Washer, Agitator
9	3951682	Cam Driven
10	3366877	Dog, Agitator Clutch
11	3952374	Bearing-Driven Cam
12	21366	Nut, Spanner
13	8526017	Basket & Balance Ring
14	8519788	Balance Ring
16	63849	Tub
17	389140	Block, Basket Drive
18	383727	Gasket, Centerpost
19	3347780	Hose, Pressure Switch
20	3951744	Agitator (Complete)
22	3951608	Spacer, Thrust
23	3354733	Cap, Barrier
24	3348855	Seal, Inner Cap
26	3949550	Washer

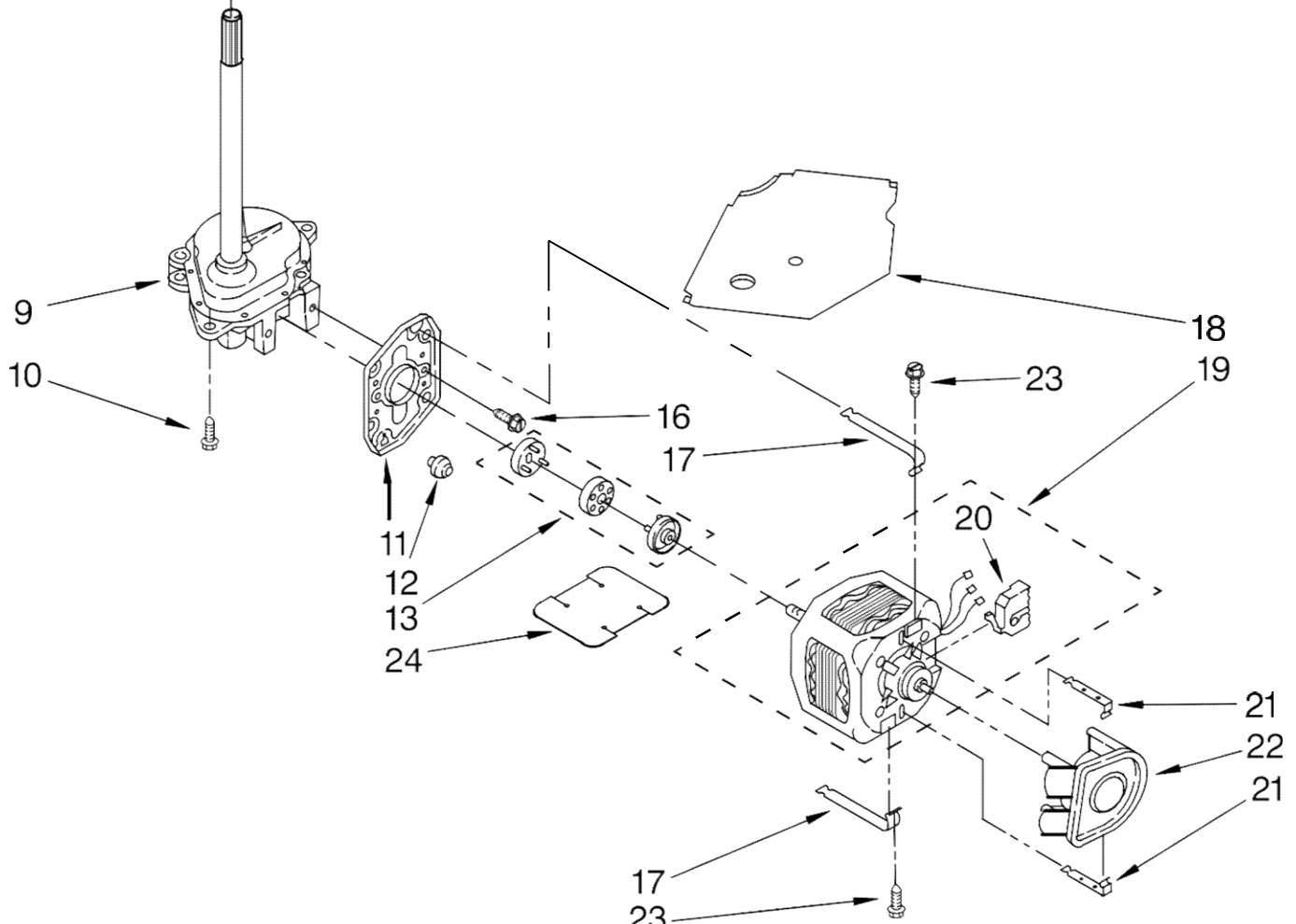


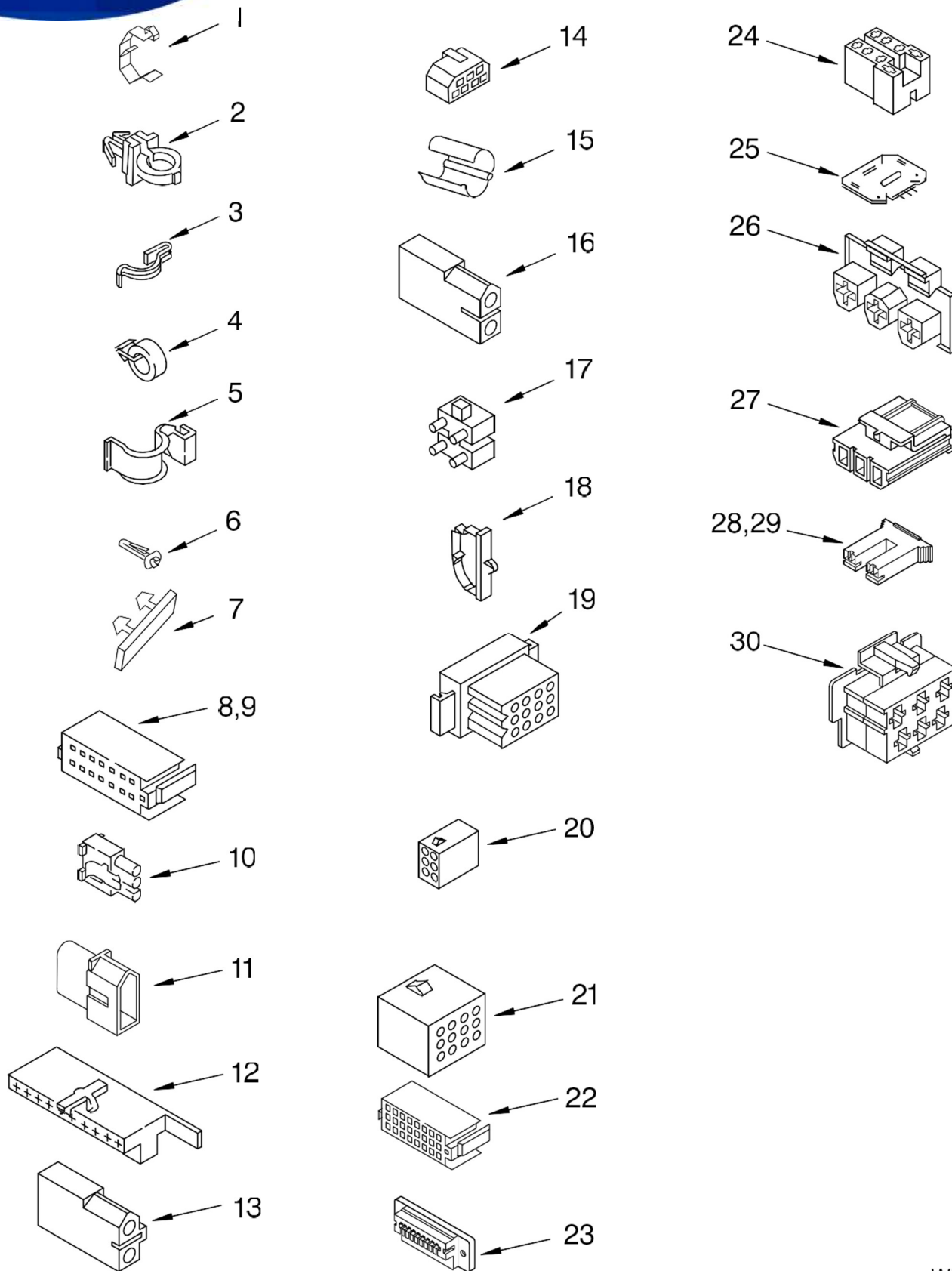
Illus. No.	Part No.	DESCRIPTION
1	3400076	Screw, Bracket Mounting (10-32 x 5/8)
2	64067	Bracket, Spring Outer (2)
3	63907	Spring Suspension,(3)
4	3362087	Support & Brake, Tub
5	64065	Bracket, Spring Outer (L.F.)
6	63466	Link, Leveling Mechanism (2)
7	62597	Spring, Leveling Mechanism
8	62837	Pin, Knurled
9	62596	Foot, Rear (2)
13	3347047	Bearing, Centerpost (2)
14	357409	Seal, Centerpost (3)
15	388492	Spring, Counterweight
16	62568	Pad, Plate
17	3946509	Plate, Suspension (Includes Illus. 16)
18	3363660	Pad, Base
19	3946512	Base Assembly (Includes Illus. 6, 7, 8, 9, 16, 17, 18, & 26)
21	3359452	Nut, Lock (3/8-16) (2)
22	389102	Foot, Front (2)
23	356934	Seal, Centerpost (2)
24	285203	Centerpost Bearing Kit (Includes Illus. 13, 14 & 23)
25	63134	Ring, Sound Deadening
26	63806	Retainer, Suspension Spring



Illus. No.	Part No.	DESCRIPTION
1	388952	Brake & Drive Tube (Complete) (Refer to Page 11 For Further Breakdown)
2	63292	Washer, Spin Tube Thrust
3	62697	Ring, Spin Tube Support
4	63283	Ring, Retainer
5	3951311	Clutch (Complete)
6	3951308	Band & Lining, Clutch (Includes Illus. 7 & 8)
7	62646	Cap, Clutch Spring (2)
8	3946792	Spring, Clutch
9	8532118	Gearcase (Complete) (Refer To Page 12 For Further Breakdown)

Illus. No.	Part No.	DESCRIPTION
10	3357334	Screw, Gearcase To Base (3)
11	62611	Plate, Motor Mount To Gearcase
12	62691	Grommet, Motor (4)
13	285753	Coupling, Motor & Isolation
15	3355454	Clip, Anti-Rattle
16	3400516	Screw
17	3349637	Retainer, Motor (2)
18	3362089	Shield, Tub To Motor
19	8528157	Motor, Main Drive
20	3952056	Switch, Main Drive Motor
21	8546127	Retainer, Pump (2)
22	3363394	Pump (Complete)
23	3387485	Screw, 10-16 x 5/8
24	8316060	Shield, Motor

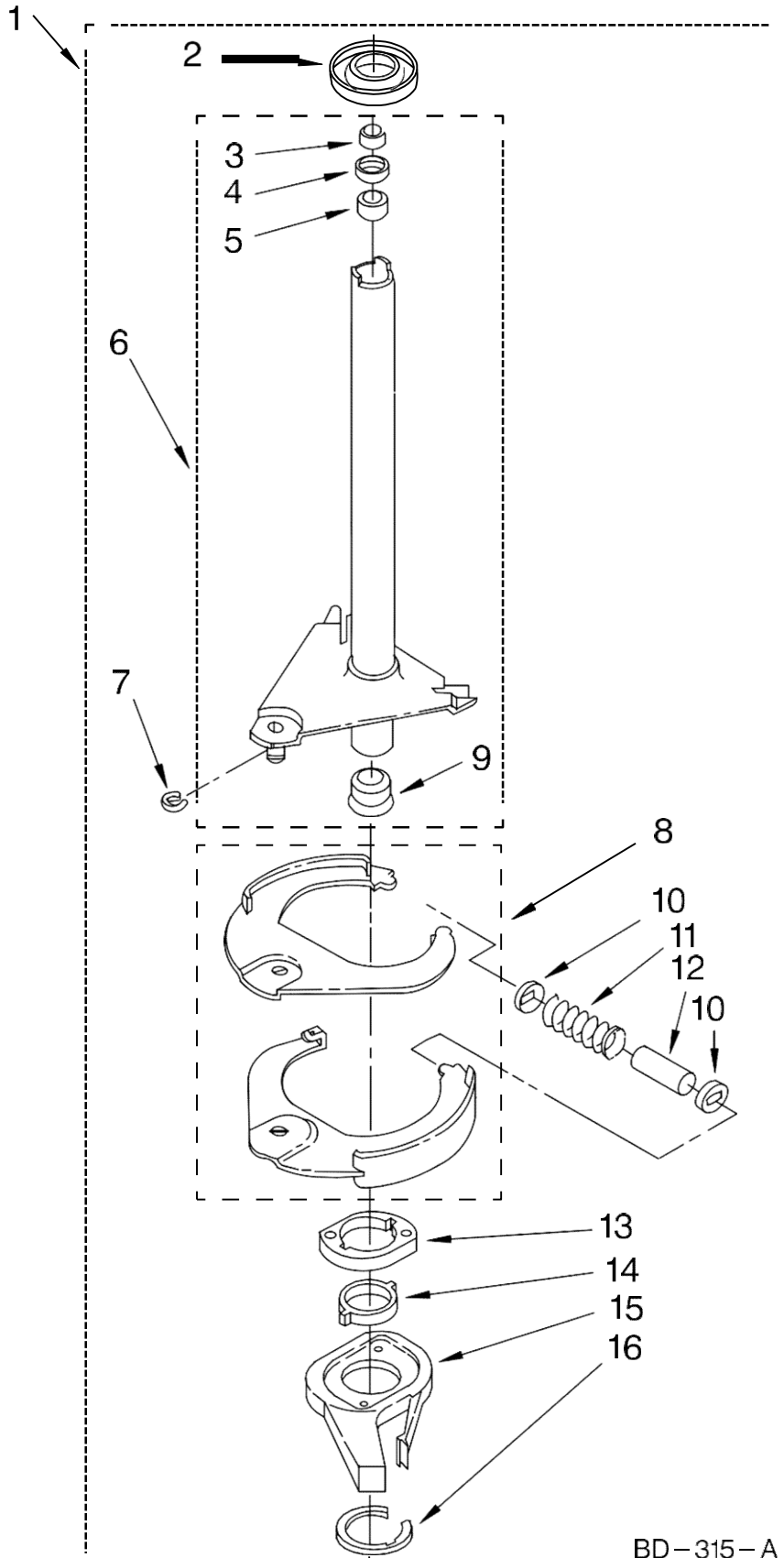




WH2G

Illus. No.	Part No.	DESCRIPTION	Illus. No.	Part No.	DESCRIPTION	Illus. No.	Part No.	DESCRIPTION
1	3349557	Clip, Harness	13	3348075	Block, Disconnect (Motor 3 Speed) (Use Term. 94613 Or 94614.)	23	3349494	Connector, Etc
2	388498	Clip, Harness				24	60687	Connector, Relay (Use Term.308569)
3	3347812	Clip, Harness				25	3407125	E.T.C. Control
4	3352501	Clip, Harness	14	3347243	Block, Disconnect (Use Term. 352088)	26	3948617	Connector (T.P.A.) (3-Circuit) (Lid Switch) (Use Term. 3948619 OR 3948620.)
5	90016	Clip, Harness	15	63523	Protector			
6	3390496	Clip, Harness	16	717252	Connector (2-Way) (Use Term.94614)	27	3360056	Connector (T.P.A.) (3-Circuit) (Pressure Switch) (Use Term.3948619 OR 3948620.)
7	389379	Retainer, (Suds Models)	17	387566	Plug, Terminal (4-Way) (Power Cord) (Use M3 Screws)	28	3354925	Block, Connector (Cold Valve) (Use Term.693217)
8	352090	Timer, Block Disconnect (White)	18	3352944	Clip, Harness	29	3354926	Block, Connector (Hot Valve) (Use Term.693217)
9	352089	Timer, Block Disconnect (Black)	19	3390423	Block, Disconnect (12-Way) (Timer) (Use Term. 94613)	30	3948615	Connector (T.P.A.) (6-Circuit) (Temp. Switch) (Use Term.3948619 OR 3948620.)
10	62889	Receptacle, Terminal (3-Way) (Lid Switch) (Use Term.94613) Or 94614.)	20	3347730	Receptacle (6-Way) (Use Term. 94613)			
11	353424	Plug, Terminal (3-Way) (Power Cord) (Use Term.94613)	21	388818	Plug, Terminal (12-Way) (Use Term. 94613 Or 94614.)			
12	62505	Block, Disconnect (Motor 2 Speed) (Use Term.352088)	22	3369366	Timer, Block Disconnect (Black) (Amp) (Use Term.3369365)			

FOR COMPLETE WIRING HARNESS REFER TO CONTROL AND REAR PANEL PARTS PAGE

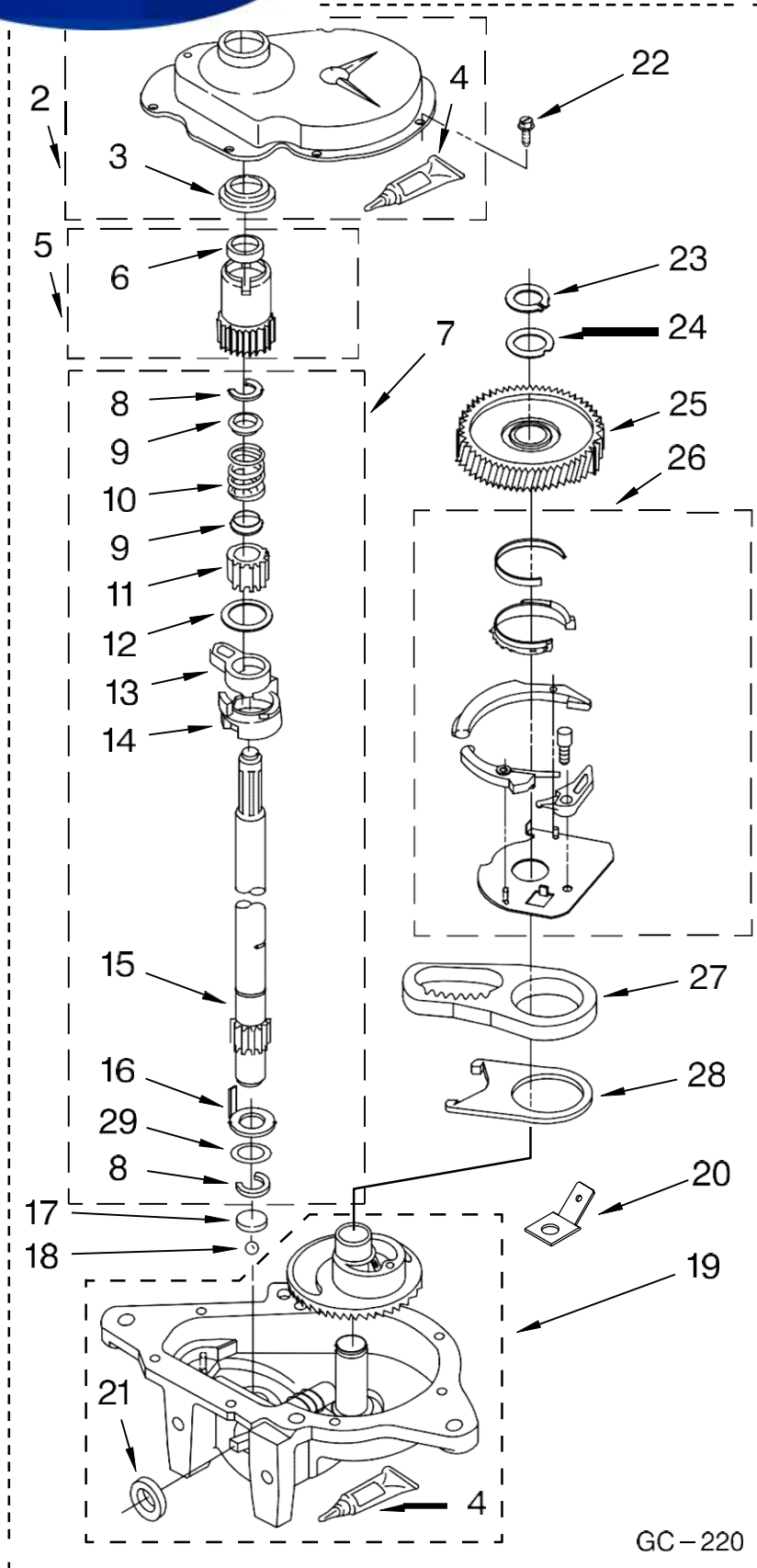


Illus. No.	Part No.	DESCRIPTION
1	388952	Brake And Drive Tube (Complete)
2	62658	Ring, Thrust
3	91939	Seal, Oil
4	356427	Seal, Drive Tube
5	356937	Spacer, Drive Tube
6	64027	Tube, Basket Drive (Includes Illus. 3, 4, 5 & 9)
7	64035	Ring, Retaining
8	64232	Shoe, Brake
9	62703	"T" Bearing, Spin Tube
10	62648	Cap, Brake Spring (2)
11	387806	Spring, Brake
12	62909	Sleeve, Brake Spring
13	63023	Cam, Brake Release
14	63022	Sleeve, Cam
15	64194	Driver, Brake Cam
16	90368	Ring, Retaining

FOLLOWING PARTS NOT ILLUSTRATED

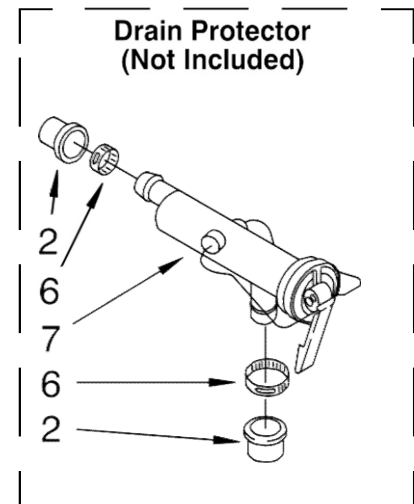
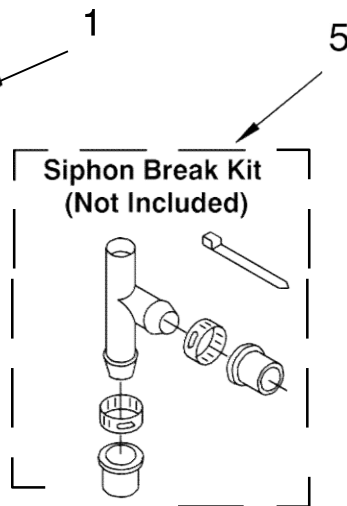
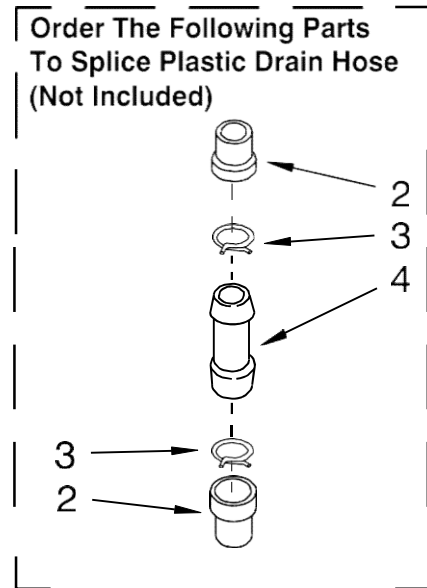
285208 Lubricant
(Use Only In Brake Shoe Assembly On Roller & Pin)

BD-315-A



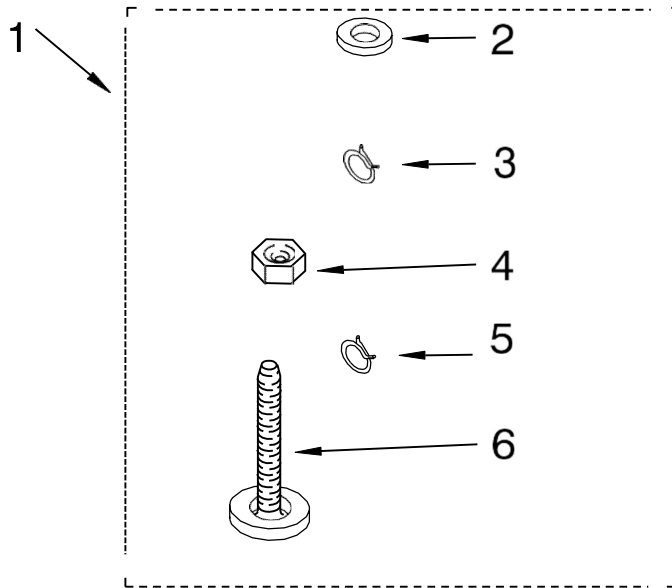
Illus. No.	Part No.	DESCRIPTION
1	8532118	Gearcase (Complete)
2	285202	Cover, Gearcase
3	3349985	Seal, Gearcase Cover
4	285195	Sealer, Gasket (.20 Fl. Oz.) (6 ml)
5	63320	Pinion, Spin (Includes Illus. 25)
6	356427	Seal, Spin Pinion
7	389387	Shaft, Agitator (Complete)
8	90369	Ring, Retaining (2)
9	62677	Retainer, Spring (2)
10	62676	Spring, Agitate
11	63273	Gear, Agitate (Includes 15 & 29)
12	62619	Washer, Agitate Gear
13	62580	Cam Follower (Includes 14)
14	62581	Cam, Agitate (Includes 13)
15	285509	Shaft, Agitator (Includes 11 & 29)
16	62618	Washer, Cam Thrust
17	16018	Bearing, Thrust (Includes 18)
18	85529	Ball, Bearing (Includes 17)
19	389230	Bottom and Pinion, Gearcase
20	3949116	Block Tab, Terminal
21	285352	Seal, Thrust Plug
22	3351614	Screw, Gearcase Cover Mounting (8) (10-24 x 3/8)
23	3362552	Ring, Retaining
24	285735	Washer Kit, Thrust
25	62570	Gear, Spin
26	388253	Neutral Assembly
27	3349296	Rack, Connecting
28	62621	Actuator, Shift
29	388815	Washer, Intermediate

GC-220



WS400

Illus. No.	Part No.	DESCRIPTION
1	285442	Connector Kit, Plastic Drain Hose
2	285321	Sleeve Kit, (Contains 2 Sleeves)
3	370447	Clamp, Hose
4	16272	Connector, Straight
5	285320	Siphon Break Kit (Not Included)
6	65349	Clamp, Hose
7	367031	Drain Protector (Not Included)



Illus. No.	Part No.	DESCRIPTION
1	3976263	Miscellaneous Parts Bag
2	3976300	Washer, Inlet Hose (1-1/16 x 5/8) (4)
3	3366912	Clamp, Hose
4	3359452	Nut, Lock (3/8-16)
5	3366913	Clamp, Hose
6	389102	Foot, Front (2)

OPTIONAL PARTS (NOT INCLUDED)

Illus. No.	Part No.	DESCRIPTION
<u>PAINT, TOUCH-UP (1/2oz.)</u>		
	72017	White
	4392899	Biscuit
<u>PAINT, PRESSURIZED SPRAY (12 oz.)</u>		
	350938	Primer, Gray
	350930	White
	4392901	Biscuit
<u>PAINT, BULK (1 qt.)</u>		
	799344	White (Uncut)
	4392900	Biscuit (Uncut)

Illus. No.	Part No.	DESCRIPTION
<u>OIL</u>		
	350572	Oil, Gearcase (16 Oz.)
<u>LUBRICANT</u>		
	285208	Lubricant (Use Only in Brake Shoe Assembly On Roller and Pin)

Illus. No.	Part No.	DESCRIPTION
<u>SEALER</u>		
	285195	Sealer, Gasket (.20 Fl. Oz.) (6 ml)
<u>ACCESSORY PARTS</u>		
	367031	Drain Protector
	285320	Siphon Break Kit