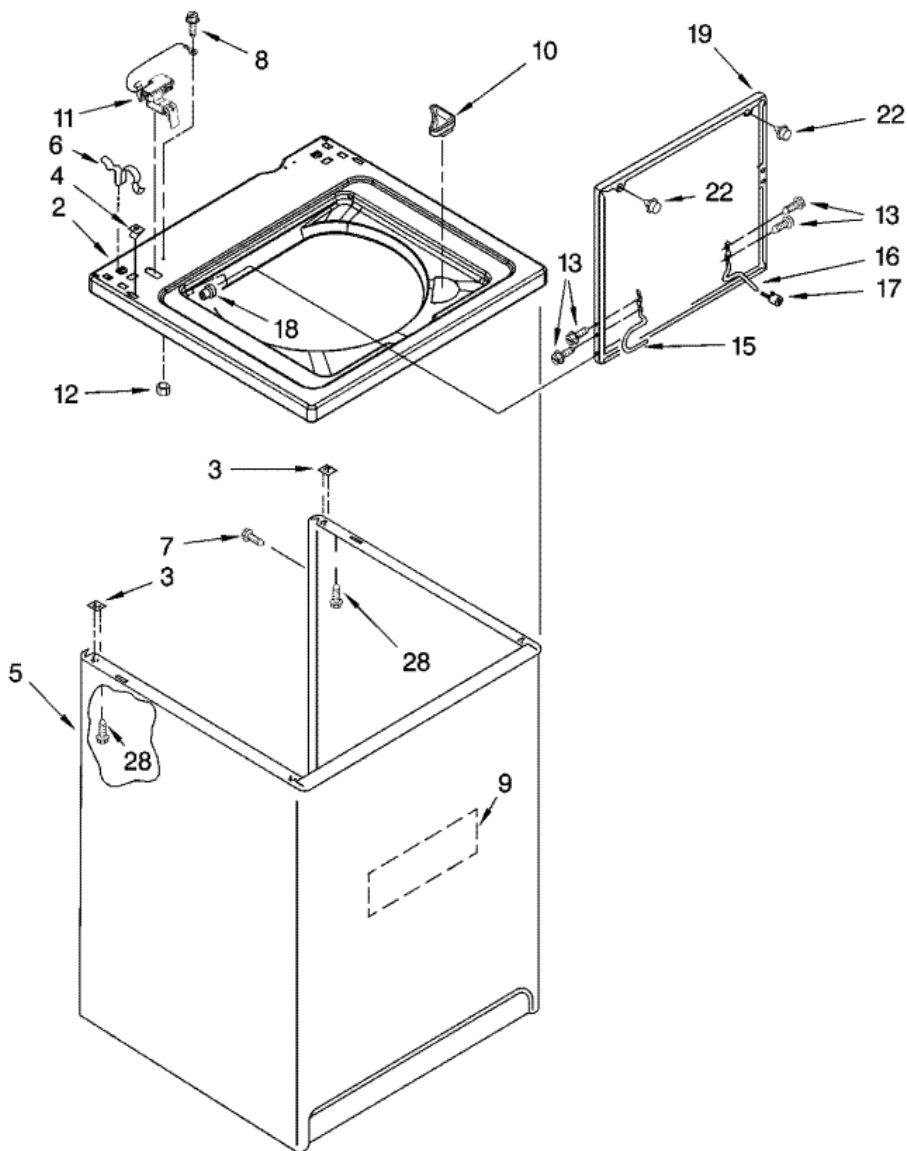


Distribuidor Autorizado

SurteRápido.com

Venta de Refacciones
Electrodomesticas

7MLSQ8545PG1 GABINETE





7MLSQ8545PG1 GABINETE

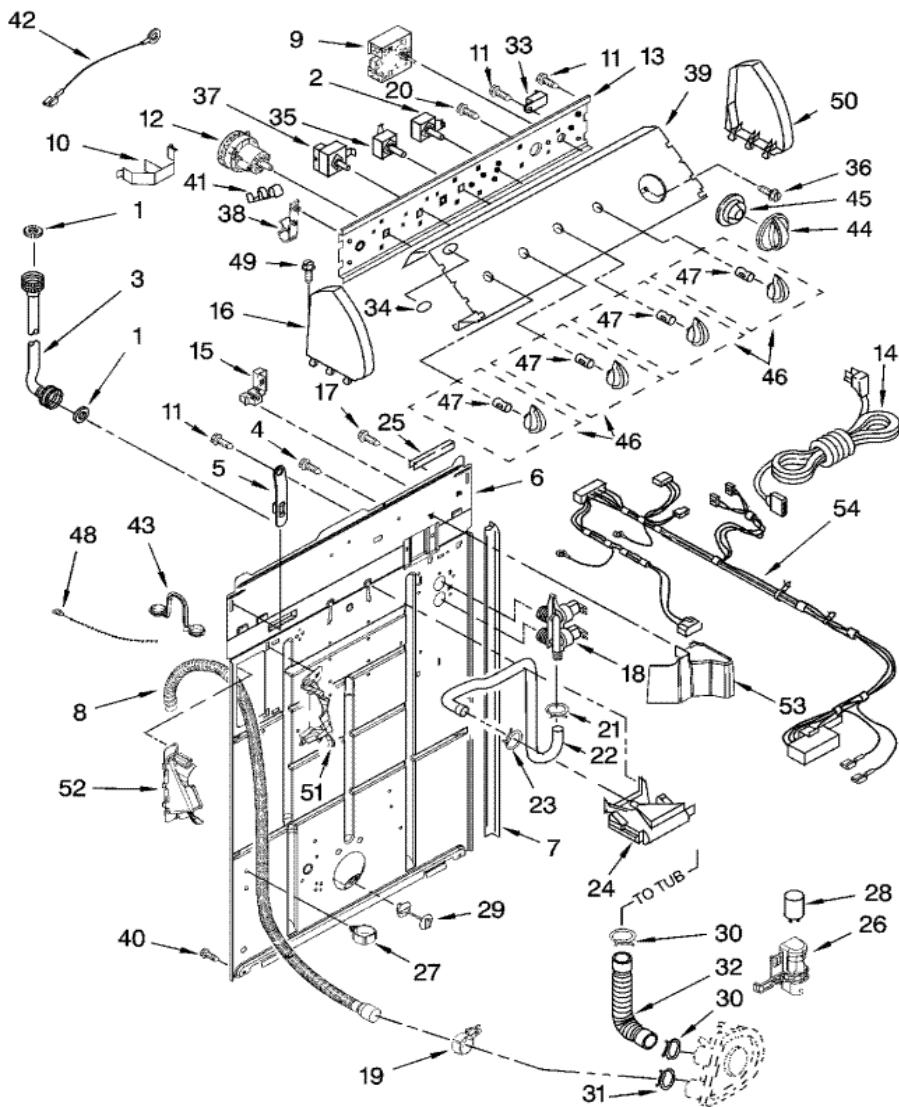
2	8318064	TOP (WHITE) (S/P)
2	8318066	TOP (BISCUIT) (S/P)
3	62750	SPACER, CABINET TO TOP (4) (S/P)
4	357213	NUT, PUSH-IN (2) (S/P)
5	3954357	CABINET (BISCUIT) (S/P)
5	63424	CABINET (WHITE) (S/P)
6	62780	CLIP, TOP & CABINET & REAR PANEL (2)
7	3357011	SCREW, 10-16 X 1/2 (S/P)
8	3351614	SCREW, GROUND (S/P)
9	3976348	CABINET- SOUND DAMPER (S/P)
10	3362952	DISPENSER, BLEACH
11	8318084	SWITCH, LID
12	8533959	NUT, HEX (S/P)
13	3351355	SCREW, LID HINGE MOUNTING (4) (S/P)
15	8318088	HINGE, LID (L.H.) (S/P)
16	54583	HINGE, LID (R.H.) (S/P)
17	19119	BUMPER, LID HINGE (S/P)
18	21258	BEARING, LID HINGE (2) (S/P)
19	8557513	LID (WHITE) (S/P)
19	8557514	LID (BISCUIT) (S/P)
22	9724509	BUMPER, LID (2)
28	3390631	SCREW, 10-16 X 3/8 (4) (S/P)

Distribuidor Autorizado

SurteRápido.com

Venta de Refacciones
Electrodomesticas

7MLSQ8545PG1 TABLERO



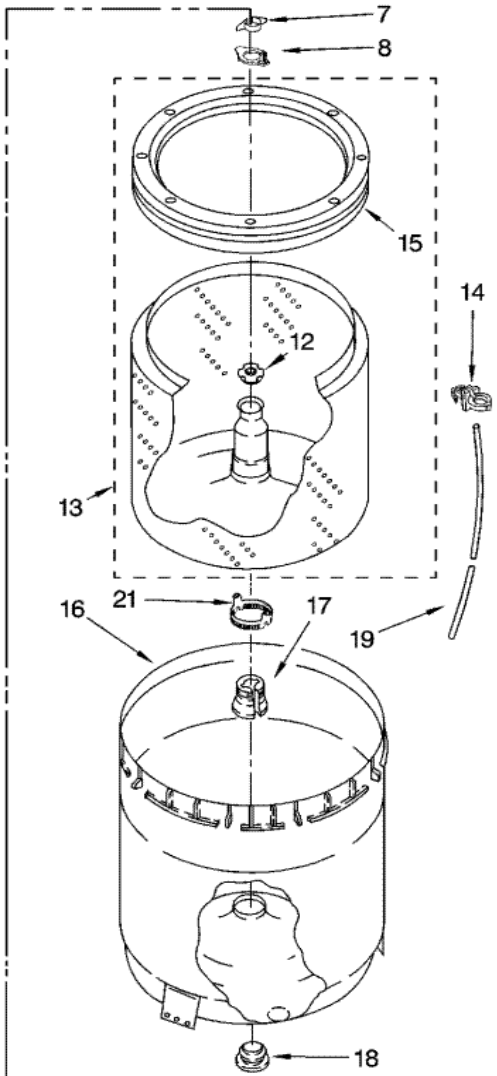
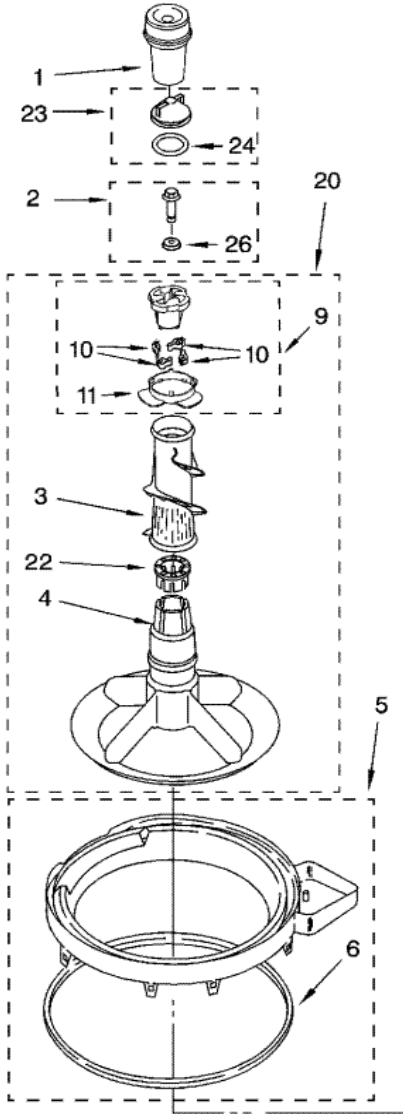


7MLSQ8545PG1 TABLERO

1	16123	WASHER, WATER INLET HOSE (4) (S/P)
2	3949187	SWITCH, ROTARY (S/P)
3	89503	HOSE, WATER INLET (2)
4	9740848	SCREW, 8-18 X 1/2 (S/P)
5	8568314	STRAP, CONSOLE (2) (S/P)
6	8318015	PANEL, REAR (S/P)
7	62747	PAD, REAR PANEL (S/P)
8	280162	DRAIN HOSE ASSEMBLY
9	3951702	TIMER, CONTROL (60 HZ.)
10	8055003	CLIP, HARNESS & PRESSURE HOSE (S/P)
11	90767	SCREW, 8-18 X 3/8 (S/P)
12	3366846	SWITCH, WATER LEVEL
13	8544893	BRACKET, CONTROL (S/P)
14	8559419	CORD, POWER (INCLUDES ITEM 15)
15	285777	STRAIN RELIEF, POWER CORD (S/P)
16	8314852	CAP, END (L.H.) (BISCUIT) (S/P)
16	279962	CAP, END (L.H.) (WHITE)
17	3351614	SCREW, GROUND (S/P)
18	285805	VALVE, WATER MIXING
19	8541668	CLAMP, HOSE (S/P)
20	3179795	SCREW, GROUND (S/P)
21	596669	CLAMP, HOSE (S/P)
22	3357328	HOSE, VACUUM BREAK
23	596669	CLAMP, HOSE (S/P)
24	3360977	BREAK, VACUUM
25	3367669	EDGE PROTECTOR (S/P)
26	8318046	CLIP, CAPACITOR (S/P)
27	8541667	CLAMP, HOSE (S/P)
28	8572717	CAPACITOR, MOTOR START (S/P)
29	8519200	SUPPORT, REAR PANEL
30	616099	CLAMP, HOSE (S/P)
31	285655	CLAMP, HOSE (S/P)
32	285871	HOSE, PUMP TO TUB

33	694419	MINI, BUZZER
34	3400985	MEDALLION (S/P)
35	661613	SWITCH, ROTARY
36	3400818	SCREW, TIMER MOUNTING (S/P)
37	661614	SWITCH, WATER TEMPERATURE
38	8317975	RETAINER, HARNESS (S/P)
39	8539645	PANEL, CONSOLE (S/P)
39	8539646	PANEL, CONSOLE (S/P)
39	8546304	PANEL, CONSOLE (S/P)
39	8565452	PANEL, CONSOLE (S/P)
40	62863	SCREW, 10-16 X 3/8 (S/P)
41	357572	CLIP, GROUNDING (S/P)
42	3395559	WIRE, GROUND (S/P)
43	8577378	U-BEND, DRAIN HOSE (S/P)
44	8544946	KNOB, TIMER (GOLD) (S/P)
44	8544944	KNOB, TIMER (BISCUIT) (S/P)
44	8544945	KNOB, TIMER (SILVER)
44	8544943	KNOB, TIMER (WHITE) (S/P)
45	8544947	DIAL, TIMER (WHITE) (S/P)
45	8544948	DIAL, TIMER (BISCUIT) (S/P)
46	8544935	KNOB, CONTROL (WHITE) (S/P)
46	8544937	KNOB, CONTROL (SILVER) (S/P)
46	8544936	KNOB, CONTROL (BISCUIT) (S/P)
46	8544938	KNOB, CONTROL (GOLD) (S/P)
47	8536939	CLIP, KNOB (S/P)
48	3347868	CABLE TIE (S/P)
49	388326	SCREW, 8-18 X 1.25 (PANEL TO TOP) (S/P)
50	8314851	CAP, END (R.H.) (BISCUIT) (S/P)
50	279962	CAP, END (R.H.) (WHITE)
51	8541669	BUCKET, DRAIN HOSE (S/P)
52	8541658	BUCKET, DRAIN HOSE (S/P)
53	8314879	SHIELD, INLET VALVE (S/P)
54	3956735	HARNESS, WIRING (S/P)

7MLSQ8545PG1 TINA

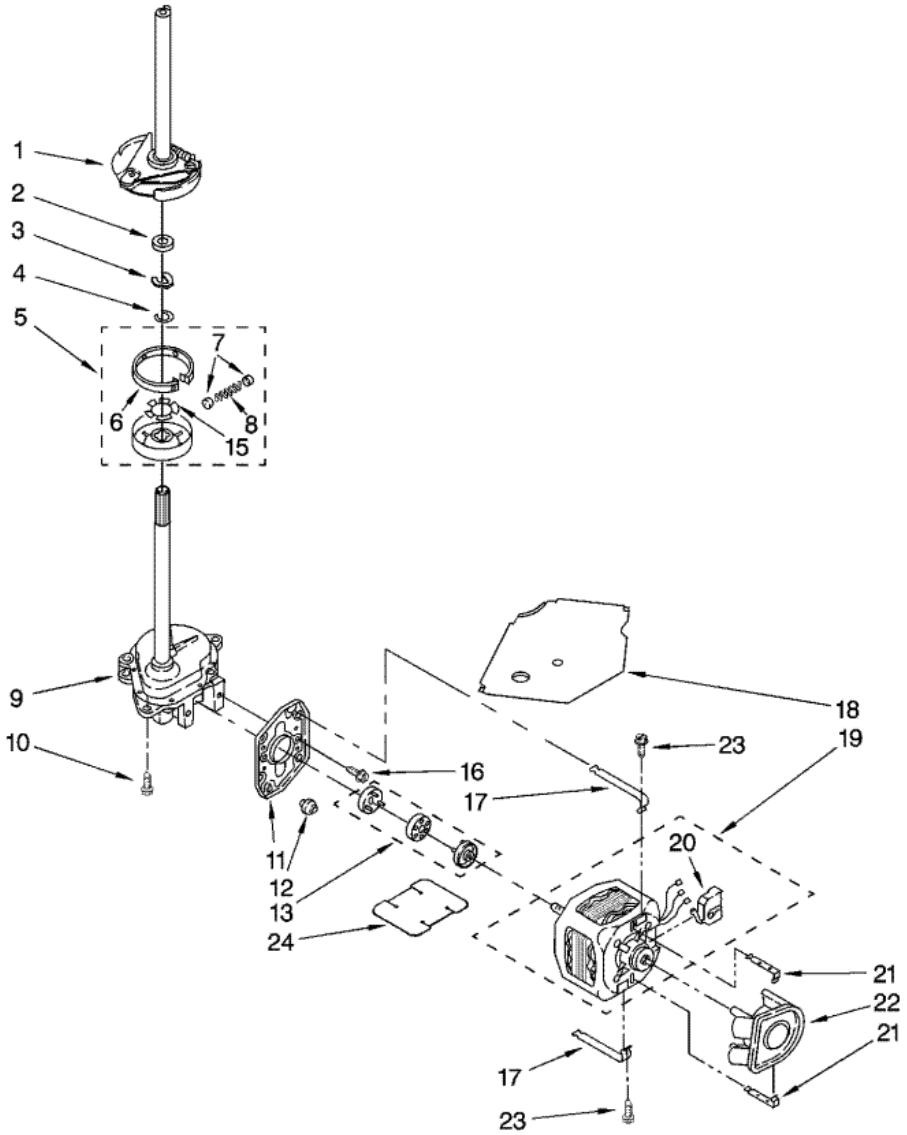




7MLSQ8545PG1 TINA

1	63580	DISPENSER
2	358237	SCREW & WASHER (5/16-24 X 1)
3	3363003	CLOTHES MOVER
4	3951744	AGITATOR
5	8528150	TUB RING & GASKET
6	3976308	GASKET, TUB RING
7	3354845	CLIP, AGITATOR (S/P)
8	8543666	WASHER-AGITATOR (S/P)
9	285809	CAM, DRIVEN
10	285770	DOG, AGITATOR CLUTCH (4)
11	3952374	BEARING-DRIVEN CAM (S/P)
12	21366	NUT, SPANNER
13	8526016	BASKET & BALANCE RING
14	2219077	CLIP, PRESSURE SWITCH HOSE (S/P)
15	387240	BALANCE RING (S/P)
16	63849	TUB (S/P)
17	389140	BLOCK, BASKET DRIVE
18	383727	GASKET, CENTERPOST
19	353244	HOSE, PRESSURE SWITCH
20	3951744	AGITATOR (COMPLETE)
21	8577198	FILTER, LINT (S/P)
22	3951608	SPACER, THRUST
23	285551	CAP, BARRIER
24	3348855	SEAL, INNER CAP
26	3949550	WASHER (S/P)

7MLSQ8545PG1 MOTOR





7MLSQ8545PG1 MOTOR

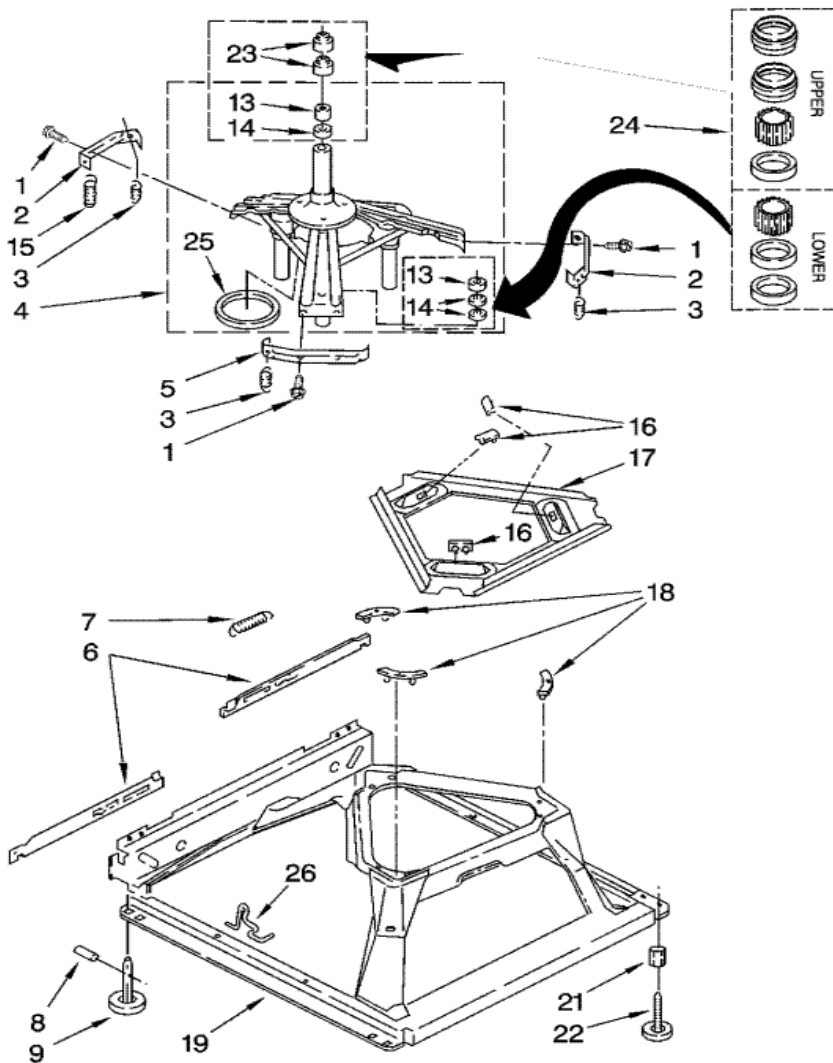
1	285792	BRAKE & DRIVE TUBE (COMPLETE)
2	63292	WASHER, SPIN TUBE THRUST
3	62697	RING, SPIN TUBE SUPPORT
4	285353	RING, RETAINER
5	285785	CLUTCH (COMPLETE)
6	285790	BAND & LINING, CLUTCH
7	62646	CAP, CLUTCH SPRING (2) (S/P)
8	3946792	SPRING, CLUTCH (S/P)
9	3360629	GEARCASE (COMPLETE)
10	3357334	SCREW, GEARCASE TO BASE (3) (S/P)
11	62611	PLATE, MOTOR MOUNT TO GEARCASE
12	62691	GROMMET, MOTOR (4)
13	285753	COUPLING, MOTOR & ISOLATION
15	3355454	CLIP, ANTI-RATTLE (S/P)
16	3400516	SCREW (S/P)
17	3349637	RETAINER, MOTOR (2)
18	3362089	SHIELD, TUB TO MOTOR (S/P)
19	389248	MOTOR, MAIN DRIVE
20	3952056	SWITCH, MAIN DRIVE MOTOR (S/P)
21	62700	RETAINER, PUMP (2)
22	3363394	PUMP (COMPLETE)
23	3387485	SCREW, 10-16 X 5/8 (S/P)
24	8316060	SHIELD, MOTOR (S/P)

Distribuidor Autorizado

SurteRápido.com

Venta de Refacciones
Electrodomesticas

7MLSQ8545PG1 BASE

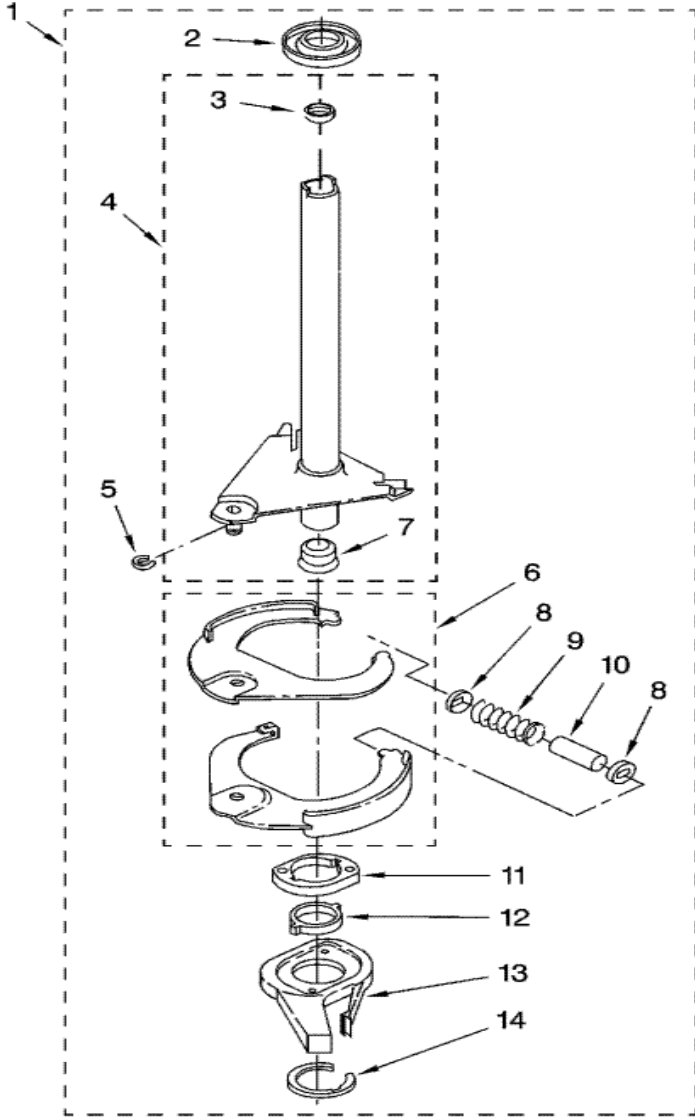




7MLSQ8545PG1 BASE

1	3400076	SCREW, BRACKET MOUNTING (10-32 X 5/8) (S/P)
2	64067	BRACKET, SPRING OUTER (2)
3	63907	SPRING SUSPENSION,(3)
4	28014	SUPPORT & BRAKE, TUB
5	64065	BRACKET, SPRING OUTER (L.F.)
6	63466	LINK, LEVELING MECHANISM (2)
7	8316845	SPRING, LEVELING MECHANISM
8	62837	PIN, KNURLED (S/P)
9	285244	FOOT, REAR (2)
13	8546455	BEARING, CENTERPOST (2) (S/P)
14	359449	SEAL, CENTERPOST (3)
15	388492	SPRING, COUNTERWEIGHT
16	285219	PAD, PLATE
17	3946509	PLATE, SUSPENSION (INCLUDES ILLUS. 16)
18	285744	PAD, BASE
19	285771	BASE ASSEMBLY
21	3359452	NUT, LOCK (2) (3/8-16) (S/P)
22	389102	FOOT, FRONT (2)
23	91938	SEAL, CENTERPOST (2)
24	285203	CENTERPOST BEARING KIT
25	63134	RING, SOUND DEADENING
26	63806	RETAINER, SUSPENSION SPRING

7MLSQ8545PG1 FLECHA HUECA





7MLSQ8545PG1 FLECHA HUECA

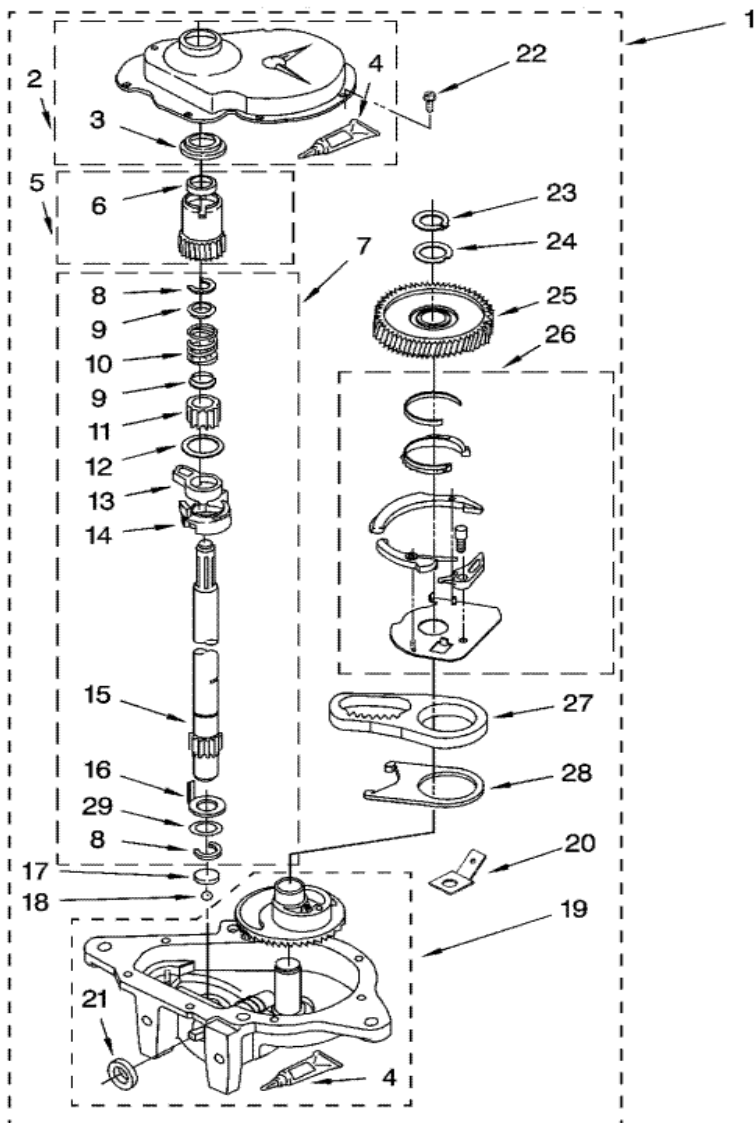
1	285792	BRAKE AND DRIVE TUBE (COMPLETE)
2	62658	RING, THRUST
3	356427	SEAL, DRIVE TUBE
4	64208	TUBE, BASKET DRIVE (INCLUDES ILLUS. 3, 4, 5 & 9)
5	64035	RING, RETAINING (S/P)
6	285438	SHOE, BRAKE (2)
7	62703	``T`` BEARING, SPIN TUBE
8	285658	CAP, BRAKE SPRING (2) (S/P)
9	387806	SPRING, BRAKE
10	285658	SLEEVE, BRAKE SPRING (S/P)
11	661516	CAM, BRAKE RELEASE
12	63022	SLEEVE, CAM
13	64194	DRIVER, BRAKE CAM
14	285208	LUBRICANT (S/P)
14	90368	RING, RETAINING

Distribuidor Autorizado

SurteRápido.com

Venta de Refacciones
Electrodomesticas

7MLSQ8545PG1 TRANSMISION





7MLSQ8545PG1 TRANSMISION

1	3360629	GEARCASE (COMPLETE)
2	285202	COVER, GEARCASE (S/P)
3	3349985	SEAL, GEARCASE COVER
4	285195	SEALER, GASKET (.20 FL. OZ.) (6 ML)
5	285362	PINION, SPIN (INCLUDES ILLUS. 25)
6	356427	SEAL, SPIN PINION
7	389387	SHAFT, AGITATOR (COMPLETE)
8	90369	RING, RETAINING (2)
9	62677	RETAINER, SPRING (2)
10	62676	SPRING, AGITATE
11	285509	DESCONTINUADO
12	62619	WASHER, AGITATE GEAR (S/P)
13	285206	CAM FOLLOWER (INCLUDES 14)
14	285206	CAM, AGITATE (INCLUDES 13)
15	285509	DESCONTINUADO
16	62618	WASHER, CAM THRUST
17	285205	BEARING, THRUST (INCLUDES 18)
18	285205	BALL, BEARING (INCLUDES 17)
19	285515	BOTTOM AND PINION, GEARCASE (S/P)
20	3949116	BLOCK TAB, TERMINAL (S/P)
21	285352	SEAL, THRUST PLUG
22	3351614	SCREW, (S/P)
23	285765	RING, RETAINING
24	285735	WASHER KIT, THRUST
25	285362	GEAR, SPIN
26	388253	NEUTRAL ASSEMBLY
27	3949609	RACK, CONNECTING
28	62621	ACTUATOR, SHIFT
29	388815	WASHER, INTERMEDIATE (S/P)