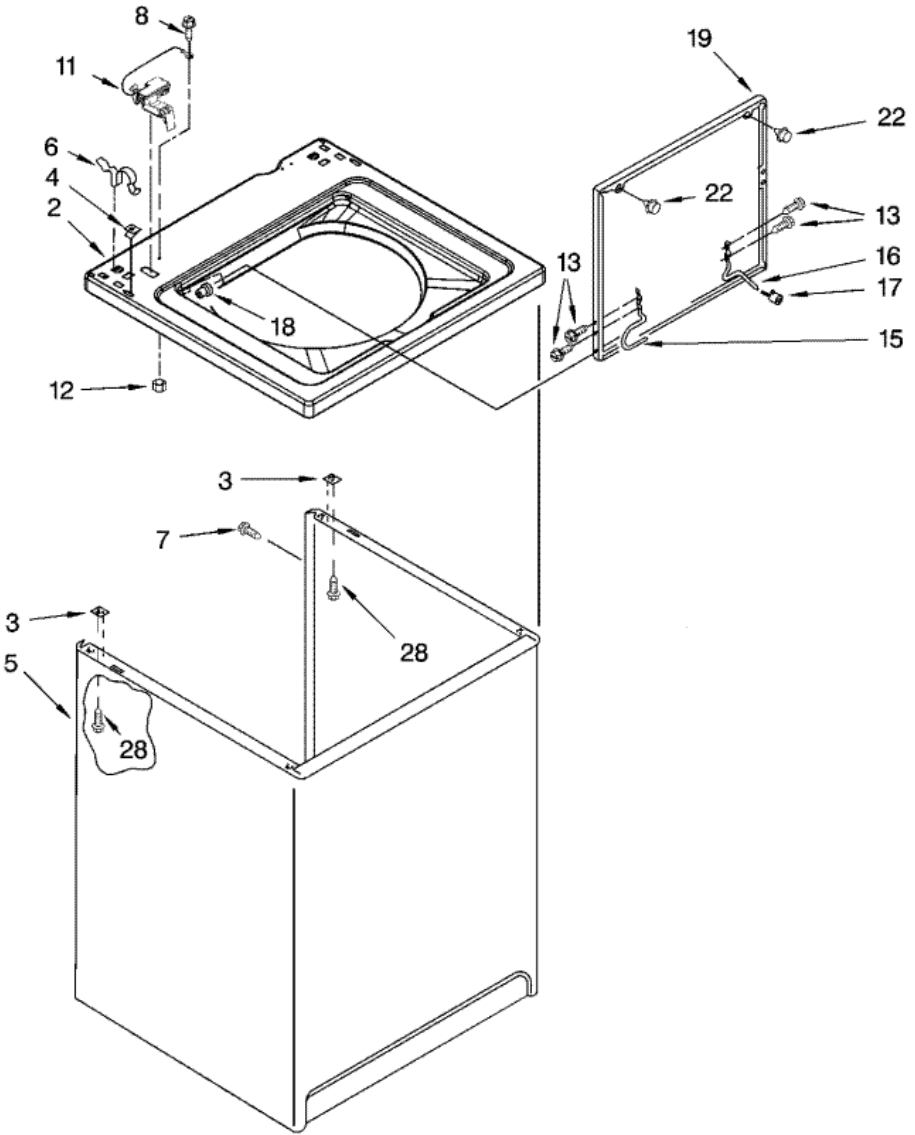


7MLSR6232JQ5 GABINETE





7MLSR6232JQ5 GABINETE

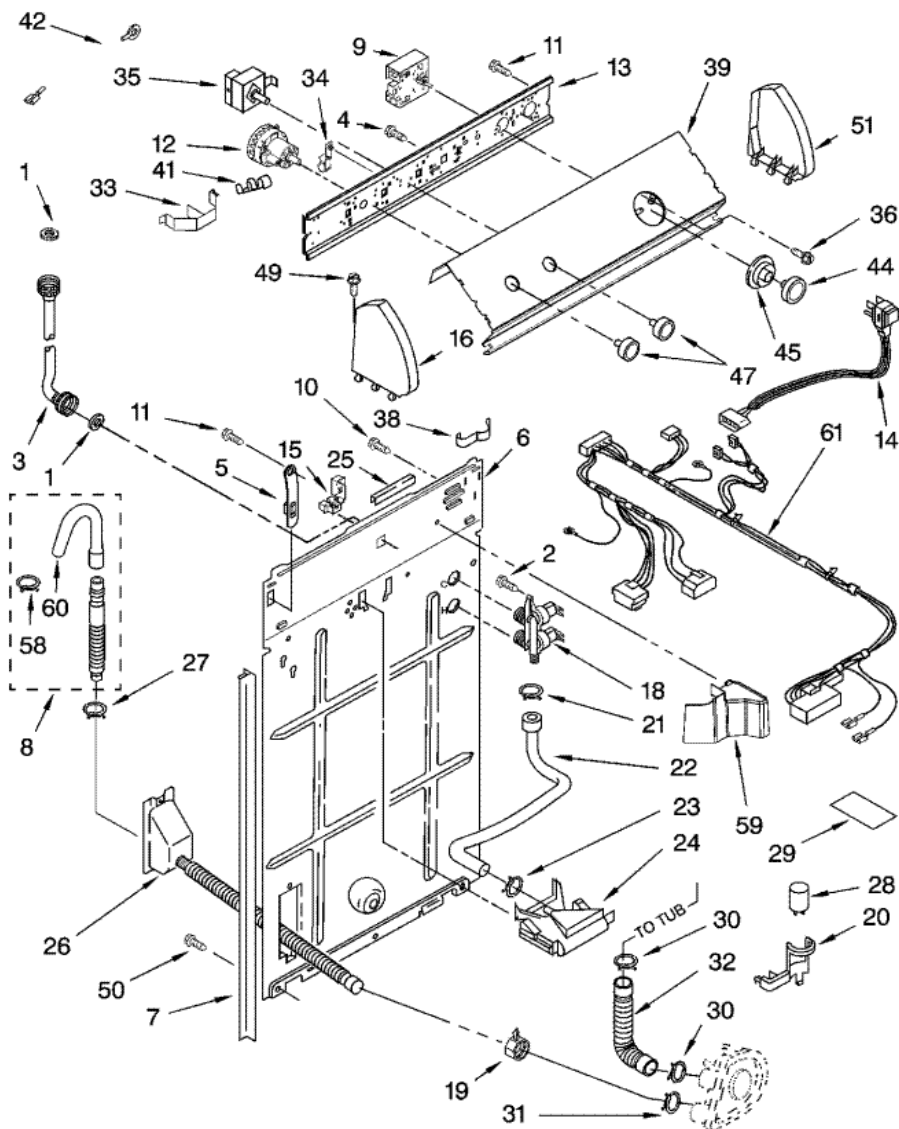
2	8318068	TOP (WHITE) (S/P)
2	8318070	TOP (BISCUIT) (S/P)
3	62750	SPACER, CABINET TO TOP (4) (S/P)
4	357213	NUT, PUSH-IN (2) (S/P)
5	63424	CABINET (WHITE) (S/P)
5	3954357	CABINET (BISCUIT) (S/P)
6	62780	CLIP, TOP & CABINET & REAR PANEL (2)
7	3357011	SCREW, 10-16 X 1/2 (S/P)
8	3351614	SCREW, GROUND (S/P)
11	8318084	SWITCH, LID
12	680762	NUT, HEX (S/P)
13	3351355	SCREW, LID HINGE MOUNTING (4) (S/P)
15	8318088	HINGE, LID (L.H.) (S/P)
16	54583	HINGE, LID (R.H.) (S/P)
17	19119	BUMPER, LID HINGE (S/P)
18	21258	BEARING, LID HINGE (2) (S/P)
19	3957618	LID (BISCUIT) (S/P)
19	3957617	LID (WHITE) (S/P)
22	93770	BUMPER, LID (2)
28	3390631	SCREW, 10-16 X 3/8 (S/P)

Distribuidor Autorizado

SurteRápido.com

Venta de Refacciones
Electrodomesticas

7MLSR623JQ5 TABLERO



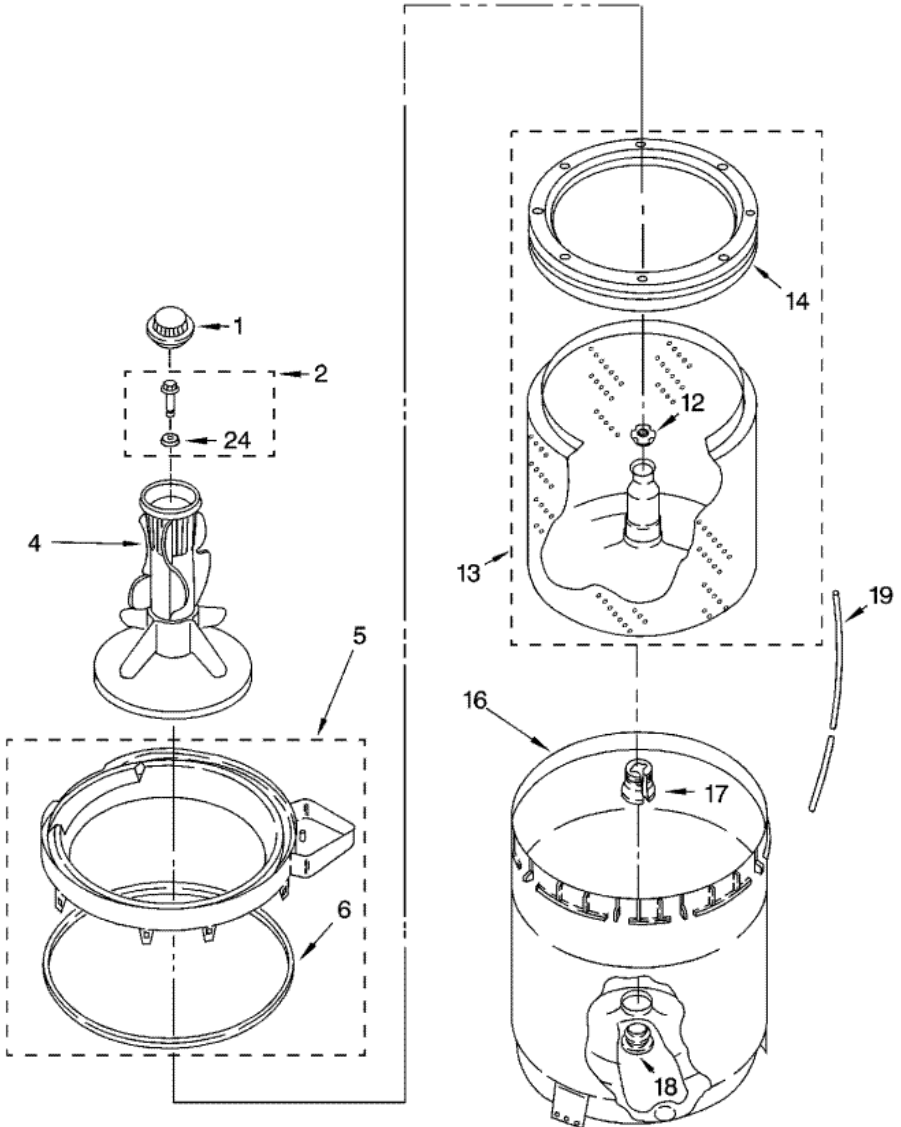


7MLSR6232JQ5 TABLERO

1	16123	WASHER, WATER INLET HOSE (4) (1-1/16 X 5/8) (S/P)
2	9740848	SCREW, 8-18 X 1/2 (S/P)
3	89503	HOSE, WATER INLET (2) (RED COUPLER)
4	3179795	SCREW, GROUND (S/P)
5	8568314	STRAP, CONSOLE (2) (S/P)
6	8318405	PANEL, REAR (S/P)
7	62747	PAD, REAR PANEL (S/P)
8	285666	HOSE, DRAIN (9 FT.) (NOT INCLUDED) (S/P)
8	285702	EXTENSION DRAIN-HOSE (21 INCHES) (S/P)
8	285664	HOSE, DRAIN (4 FT.)
9	3953146	TIMER, CONTROL (60 HZ.)
10	3351614	SCREW, GROUND (S/P)
11	90767	SCREW, 8-18 X 3/8 (S/P)
12	3366849	SWITCH, WATER LEVEL
13	3948608	BRACKET, CONTROL (S/P)
14	8532158	CORD, POWER (INCLUDES ITEM 15) (S/P)
15	3949468	STRAIN RELIEF, POWER CORD (S/P)
16	279962	CAP, END (L.H.) (WHITE)
16	8314852	CAP, END (L.H.) (BISCUIT) (S/P)
18	285805	VALVE, WATER MIXING
19	3976395	CLAMP, HOSE (S/P)
20	8318201	CLIP, CAPACITOR (S/P)
21	8533946	CLAMP, HOSE (S/P)
22	8317926	HOSE, VACUUM BREAK
23	9724996	CLAMP, HOSE (S/P)
24	3360977	BREAK, VACUUM
25	3367669	EDGE PROTECTOR (S/P)
26	8317940	DRAIN HOSE ASSEMBLY
27	356138	CLAMP, HOSE (S/P)
28	8572717	CAPACITOR, MOTOR START (S/P)
29	3976286	SHIELD, CAPACITOR (S/P)
30	3363366	CLAMP, HOSE (S/P)
31	8317496	CLAMP, HOSE (S/P)

32	285871	HOSE, PUMP TO TUB
33	8055003	CLIP, HARNESS & PRESSURE HOSE (S/P)
34	8317975	RETAINER, HARNESS (S/P)
35	661612	SWITCH, WATER TEMPERATURE
36	3400818	SCREW, TIMER MOUNTING (S/P)
38	8528351	CLIP, HARNESS (S/P)
39	8531976	PANEL, CONSOLE (WHITE) (S/P)
39	8531977	PANEL, CONSOLE (BISCUIT) (S/P)
41	357572	CLIP, GROUNDING (S/P)
42	3395559	WIRE, GROUND (S/P)
44	3957824	KNOB, TIMER (WHITE)
44	3957822	KNOB, TIMER (BISCUIT)
45	3957850	DIAL, TIMER (BISCUIT)
45	3957849	DIAL, TIMER (WHITE)
47	3957799	KNOB, CONTROL (WHITE)
47	8271348	KNOB, CONTROL (BISCUIT)
49	388326	SCREW, 8-18 X 1.25 (PANEL TO TOP) (S/P)
50	62863	SCREW, 10-16 X 3/8 (S/P)
51	279962	CAP, END (R.H.) (WHITE)
51	8314851	CAP, END (R.H.) (BISCUIT) (S/P)
58	3357331	CLAMP, DRAIN HOSE (S/P)
59	8314879	SHIELD, INLET VALVE (S/P)
60	3357027	NOZZLE-DRAIN HOSE (S/P)
61	3956733	WIRING HARNESS

7MLSR6232JQ5 TINA

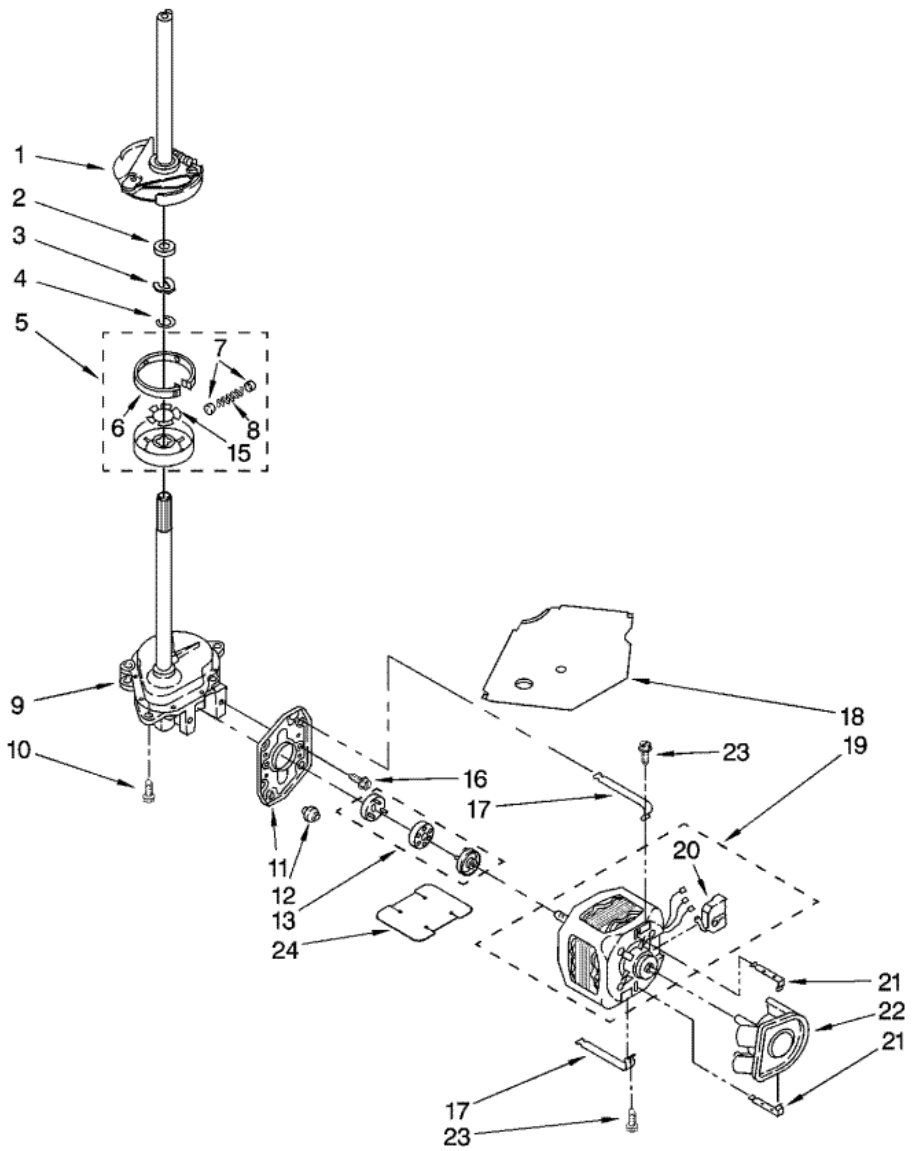




7MLSR6232JQ5 TINA

1	3428527	CAP, AGITATOR
2	358237	SCREW & WASHER (5/16-24 X 1)
4	63235	AGITATOR
5	8528150	TUB RING & GASKET
6	3976308	GASKET, TUB RING
12	21366	NUT, SPANNER
13	8526017	BASKET & BALANCE RING (S/P)
14	387240	BALANCE RING (S/P)
16	63849	TUB (S/P)
17	389140	BLOCK, BASKET DRIVE
18	383727	GASKET, CENTERPOST
19	353244	HOSE, PRESSURE SWITCH
24	3949550	WASHER (S/P)

7MLSR6232JQ5 MOTOR





7MLSR6232JQ5 MOTOR

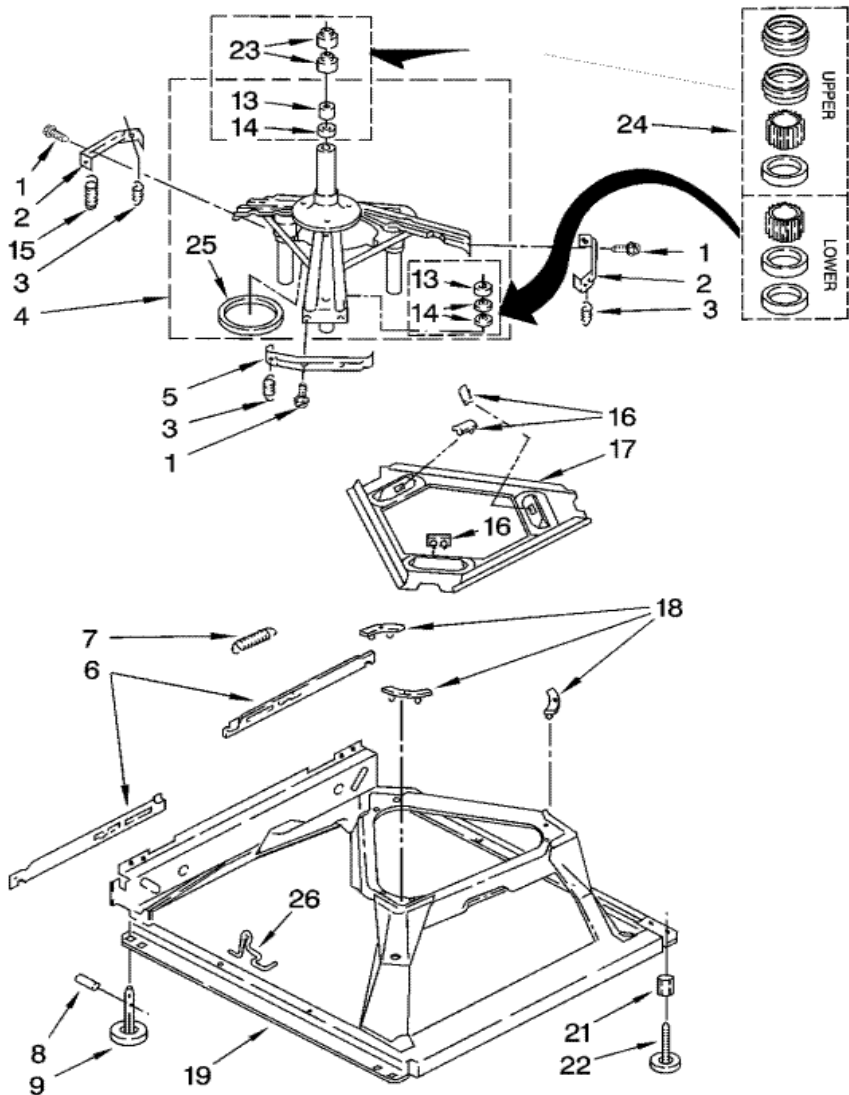
1	285792	BRAKE & DRIVE TUBE (COMPLETE)
2	63292	WASHER, SPIN TUBE THRUST
3	62697	RING, SPIN TUBE SUPPORT
4	285353	RING, RETAINER
5	285785	CLUTCH (COMPLETE)
6	285790	BAND & LINING, CLUTCH (INCLUDES ILLUS. 7 & 8)
7	62646	CAP, CLUTCH SPRING (2) (S/P)
8	3946792	SPRING, CLUTCH (S/P)
9	3360629	GEARCASE (COMPLETE)
10	3357334	SCREW, GEARCASE TO BASE (3) (S/P)
11	62611	PLATE, MOTOR MOUNT TO GEARCASE
12	62691	GROMMET, MOTOR (4)
13	285753	COUPLING, MOTOR & ISOLATION
15	3355454	CLIP, ANTI-RATTLE (S/P)
16	3400516	SCREW (S/P)
17	3349637	RETAINER, MOTOR (2)
18	3362089	SHIELD, TUB TO MOTOR (S/P)
19	389248	MOTOR, MAIN DRIVE
20	3952056	SWITCH, MAIN DRIVE MOTOR (S/P)
21	62700	RETAINER, PUMP (2)
22	3363394	PUMP (COMPLETE)
23	3387485	SCREW, 10-16 X 5/8 (S/P)
24	8316060	SHIELD, MOTOR (S/P)

Distribuidor Autorizado

SurteRápido.com

Venta de Refacciones
Electrodomesticas

7MLSR6232JQ5 BASE

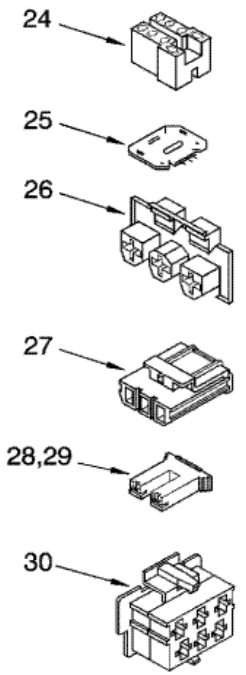
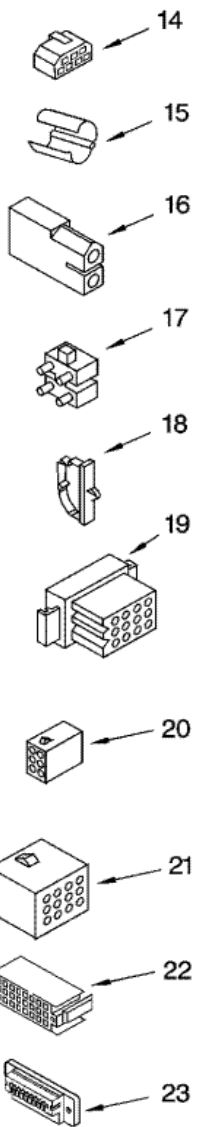
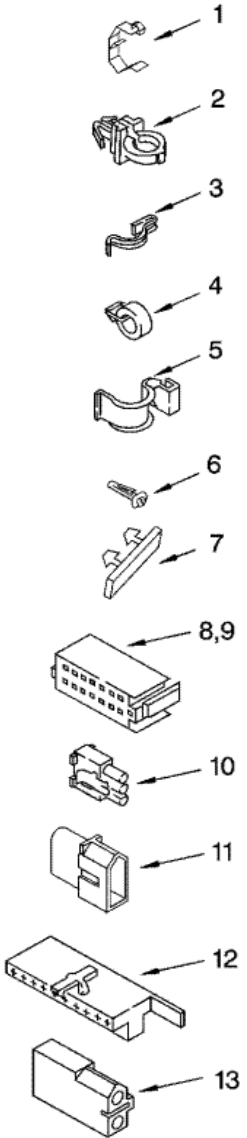




7MLSR6232JQ5 BASE

1	3400076	SCREW, BRACKET MOUNTING (10-32 X 5/8) (S/P)
2	64067	BRACKET, SPRING OUTER (2)
3	63907	SPRING SUSPENSION,(3)
4	280184	SUPPORT & BRAKE, TUB
5	64065	BRACKET, SPRING OUTER (L.F.)
6	63466	LINK, LEVELING MECHANISM (2)
7	8316845	SPRING, LEVELING MECHANISM
8	62837	PIN, KNURLED (S/P)
9	285244	FOOT, REAR (2)
13	8546455	BEARING, CENTERPOST (2) (S/P)
14	359449	SEAL, CENTERPOST (3)
15	388492	SPRING, COUNTERWEIGHT
16	285219	PAD, PLATE
17	3946509	PLATE, SUSPENSION (INCLUDES ILLUS. 16) (S/P)
18	285744	PAD, BASE
19	285771	BASE ASSEMBLY
21	3359452	NUT, LOCK (3/8-16) (2) (S/P)
22	389102	FOOT, FRONT (2)
23	91938	SEAL, CENTERPOST (2)
24	285203	CENTERPOST BEARING KIT
25	63134	RING, SOUND DEADENING
26	63806	RETAINER, SUSPENSION SPRING

7MLSR6232JQ5 HARNES

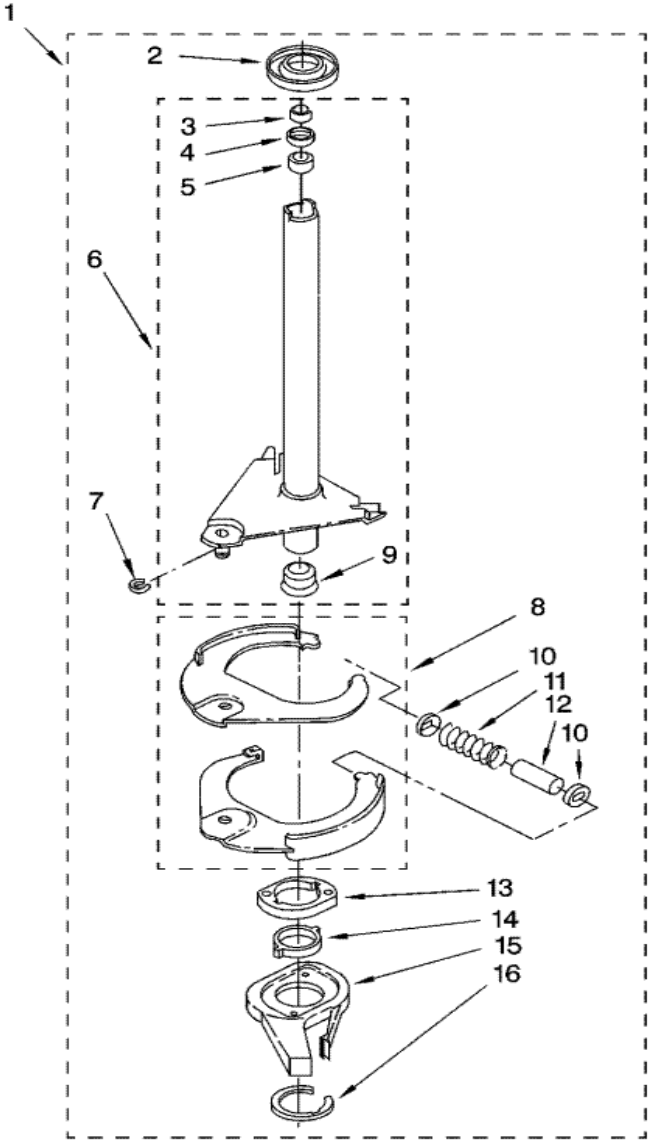




7MLSR6232JQ5 HARNES

1	3349557	CLIP, HARNESS (S/P)
2	388498	DESCONTINUADO
3	8528351	CLIP, HARNESS (S/P)
4	3348535	CLIP, HARNESS (S/P)
5	90016	CLIP, HARNESS (S/P)
6	8281256	CLIP, HARNESS (S/P)
7	389379	RETAINER, (SUDS MODELS) (S/P)
8	352090	DESCONTINUADO
9	352089	TIMER, BLOCK DISCONNECT (BLACK) (S/P)
10	62889	RECEPTACLE, TERMINAL (3-WAY) (S/P)
11	353424	PLUG, TERMINAL (3-WAY) (POWER CORD) (S/P)
12	62505	BLOCK, DISCONNECT (MOTOR 2 SPEED) (S/P)
13	3348075	DESCONTINUADO
14	3347243	BLOCK, DISCONNECT (USE TERM. 352088) (S/P)
15	63523	PROTECTOR (S/P)
16	717252	CONNECTOR (2-WAY) (USE TERM.94614) (S/P)
17	938329	DESCONTINUADO
18	3352944	CLIP, HARNESS (S/P)
19	3390423	BLOCK, DISCONNECT (12-WAY) (TIMER) (S/P)
20	3347730	DESCONTINUADO
21	388818	PLUG, TERMINAL (12-WAY) (S/P)
22	3369366	DESCONTINUADO
23	3349494	CONNECTOR, ETC (S/P)
24	60688	CONNECTOR, RELAY (USE TERM.308569) (S/P)
25	3955728	E.T.C. CONTROL
26	3948617	CONNECTOR (T.P.A.) (3-CIRCUIT) (S/P)
27	3360056	CONNECTOR (T.P.A.) (3-CIRCUIT) (S/P)
28	3354925	BLOCK, CONNECTOR (COLD VALVE) (S/P)
29	3354926	BLOCK, CONNECTOR (HOT VALVE) (S/P)
30	3948615	CONNECTOR (T.P.A.) (6-CIRCUIT) (S/P)

7MLSR6232JQ5 FLECHA HUECA





7MLSR6232JQ5 FLECHA HUECA

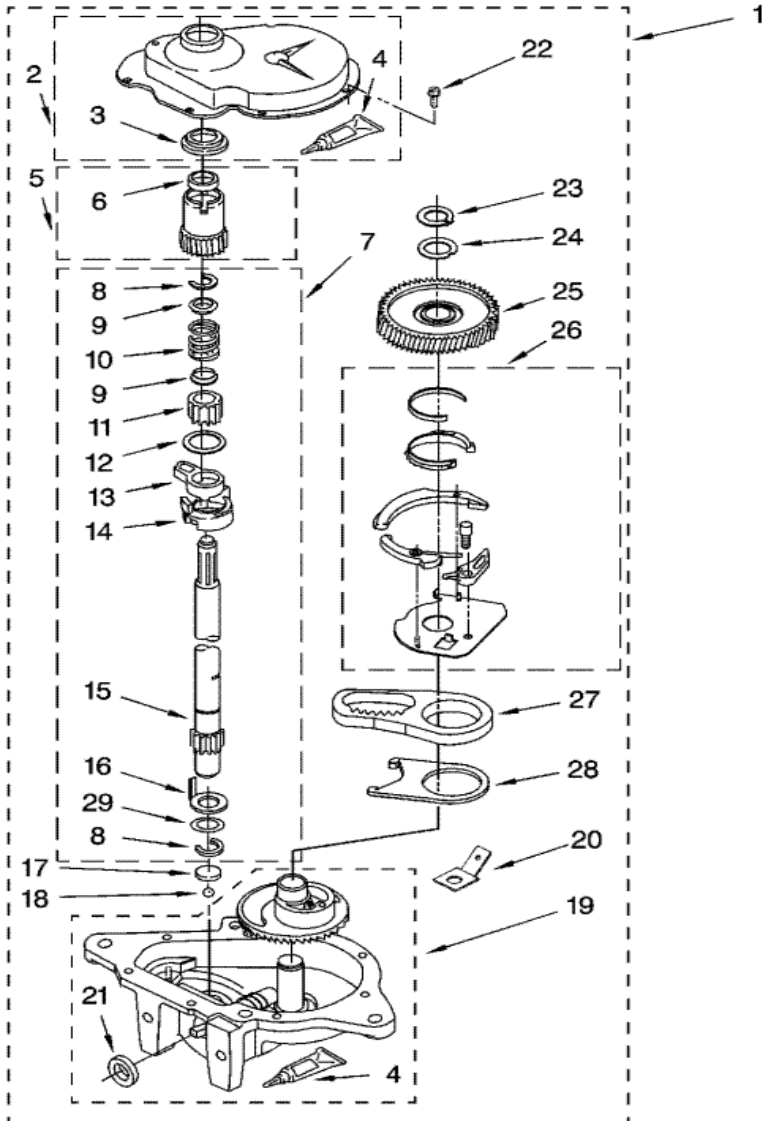
1	285792	BRAKE AND DRIVE TUBE (COMPLETE)
2	62658	RING, THRUST
3	91939	SEAL, OIL
4	356427	SEAL, DRIVE TUBE
5	356937	SPACER, DRIVE TUBE
6	64208	TUBE, BASKET DRIVE
7	64035	RING, RETAINING (S/P)
8	285438	SHOE, BRAKE
9	62703	``T`` BEARING, SPIN TUBE
10	285658	CAP, BRAKE SPRING (2) (S/P)
11	387806	SPRING, BRAKE
12	62909	SLEEVE, BRAKE SPRING (S/P)
13	661516	CAM, BRAKE RELEASE
14	63022	DESCONTINUADO
15	64194	DRIVER, BRAKE CAM
16	90368	RING, RETAINING
16	285208	LUBRICANT (S/P)

Distribuidor Autorizado

SurteRápido.com

Venta de Refacciones
Electrodomesticas

7MLSR6232JQ5 TRANSMISION

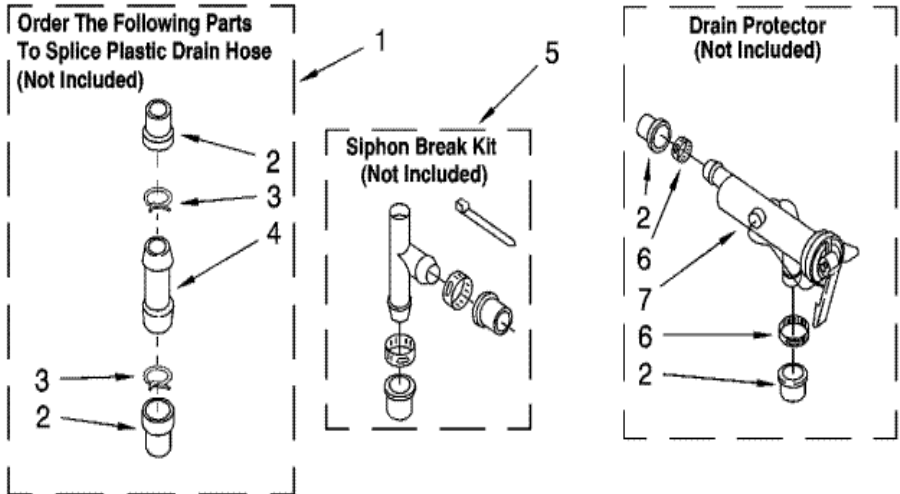




7MLSR6232JQ5 TRANSMISION

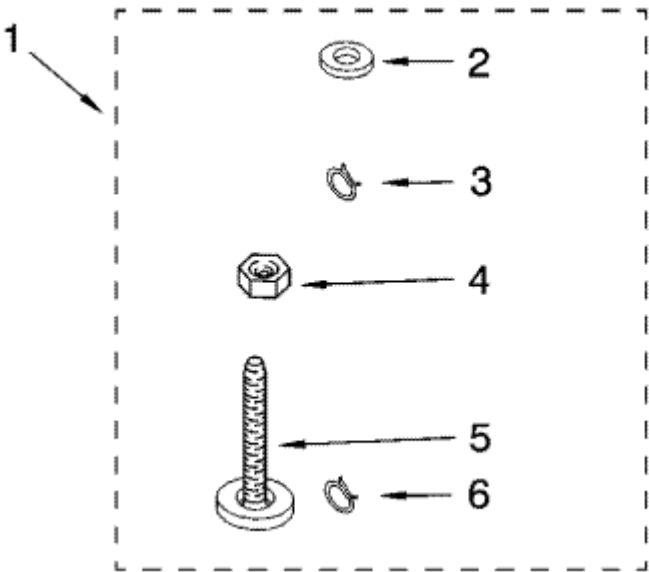
1	3360629	GEARCASE (COMPLETE)
2	285202	COVER, GEARCASE (S/P)
3	3349985	SEAL, GEARCASE COVER
4	285195	SEALER, GASKET (.20 FL. OZ.) (6 ML)
5	285362	PINION, SPIN (INCLUDES ILLUS. 25)
6	356427	SEAL, SPIN PINION
7	389387	SHAFT, AGITATOR (COMPLETE)
8	90369	RING, RETAINING (2)
9	62677	RETAINER, SPRING (2)
10	62676	SPRING, AGITATE
11	285509	DESCONTINUADO
12	62619	WASHER, AGITATE GEAR (S/P)
13	285206	CAM FOLLOWER (INCLUDES 14)
14	285206	CAM, AGITATE (INCLUDES 13)
15	285509	DESCONTINUADO
16	62618	WASHER, CAM THRUST
17	285205	BEARING, THRUST (INCLUDES 18)
18	285205	BALL, BEARING (INCLUDES 17)
19	285515	BOTTOM AND PINION, GEARCASE (S/P)
20	3949116	BLOCK TAB, TERMINAL (S/P)
21	285352	SEAL, THRUST PLUG
22	3351614	SCREW, GEARCASE COVER MOUNTING (S/P)
23	285765	RING, RETAINING
24	285735	WASHER KIT, THRUST
25	285362	GEAR, SPIN
26	388253	NEUTRAL ASSEMBLY
27	3949609	RACK, CONNECTING
28	62621	ACTUATOR, SHIFT
29	388815	WASHER, INTERMEDIATE (S/P)

7MLSR6232JQ5 SISTEMA DE AGUA



1	285442	CONNECTOR KIT, PLASTIC DRAIN HOSE (S/P)
2	285321	SLEEVE KIT, (CONTAINS 2 SLEEVES) (S/P)
3	285655	CLAMP, HOSE (S/P)
4	16272	CONNECTOR, STRAIGHT (S/P)
5	285320	SIPHON BREAK KIT (NOT INCLUDED) (S/P)
6	285655	CLAMP, HOSE (S/P)
7	367031	DRAIN PROTECTOR (NOT INCLUDED) (S/P)

7MLSR6232JQ5 PATA



1	285654	MISCELLANEOUS PARTS BAG (S/P)
2	16123	WASHER, INLET HOSE (1-1/16 X 5/8) (4) (S/P)
3	356138	CLAMP, HOSE (S/P)
4	3359452	NUT, LOCK (3/8-16) (S/P)
5	389102	FOOT, FRONT (2)
6	367031	DRAIN PROTECTOR (S/P)