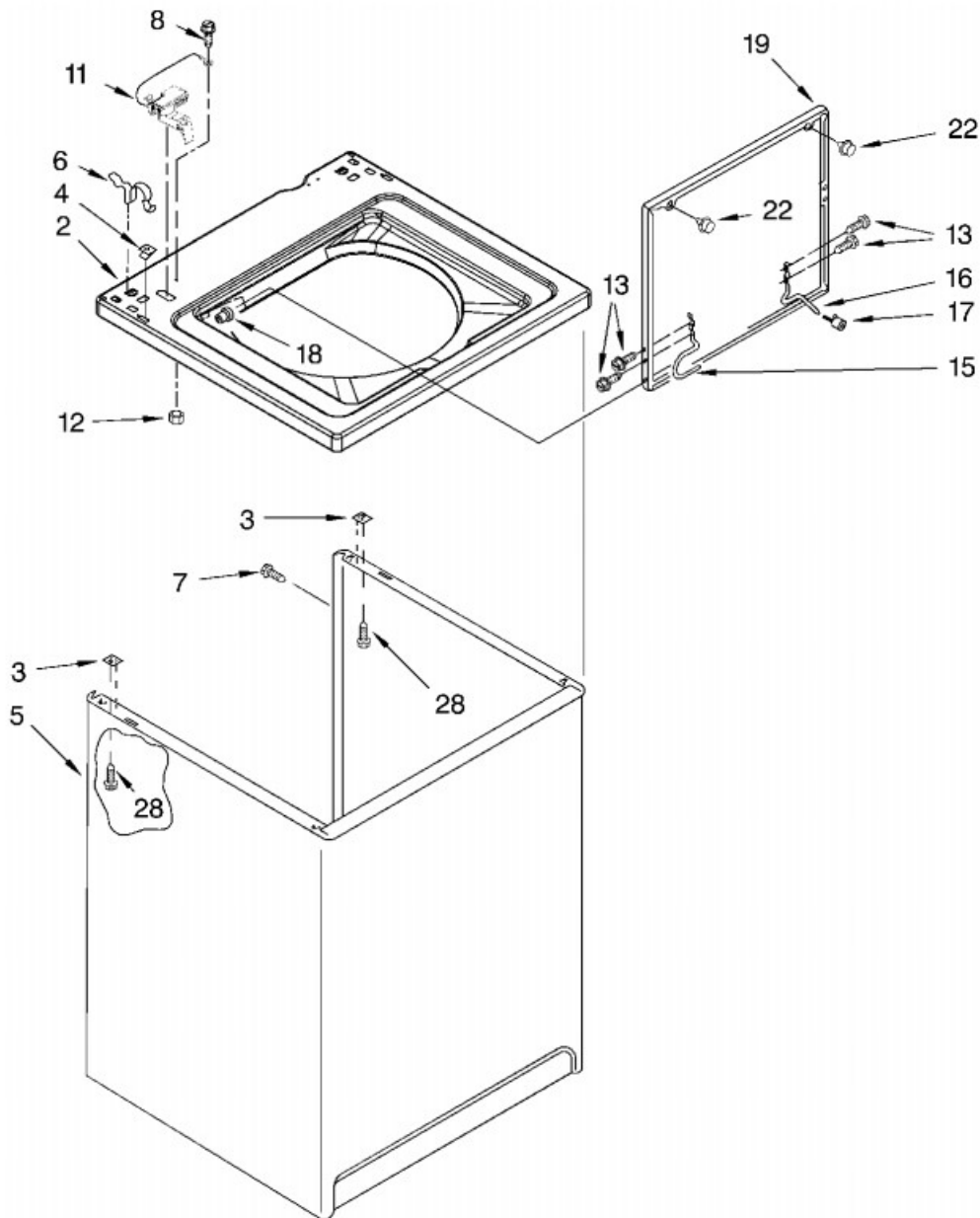


Lavadora Whirlpool 7MLSR6232JT5





Lavadora Whirlpool 7MLSR623JT5

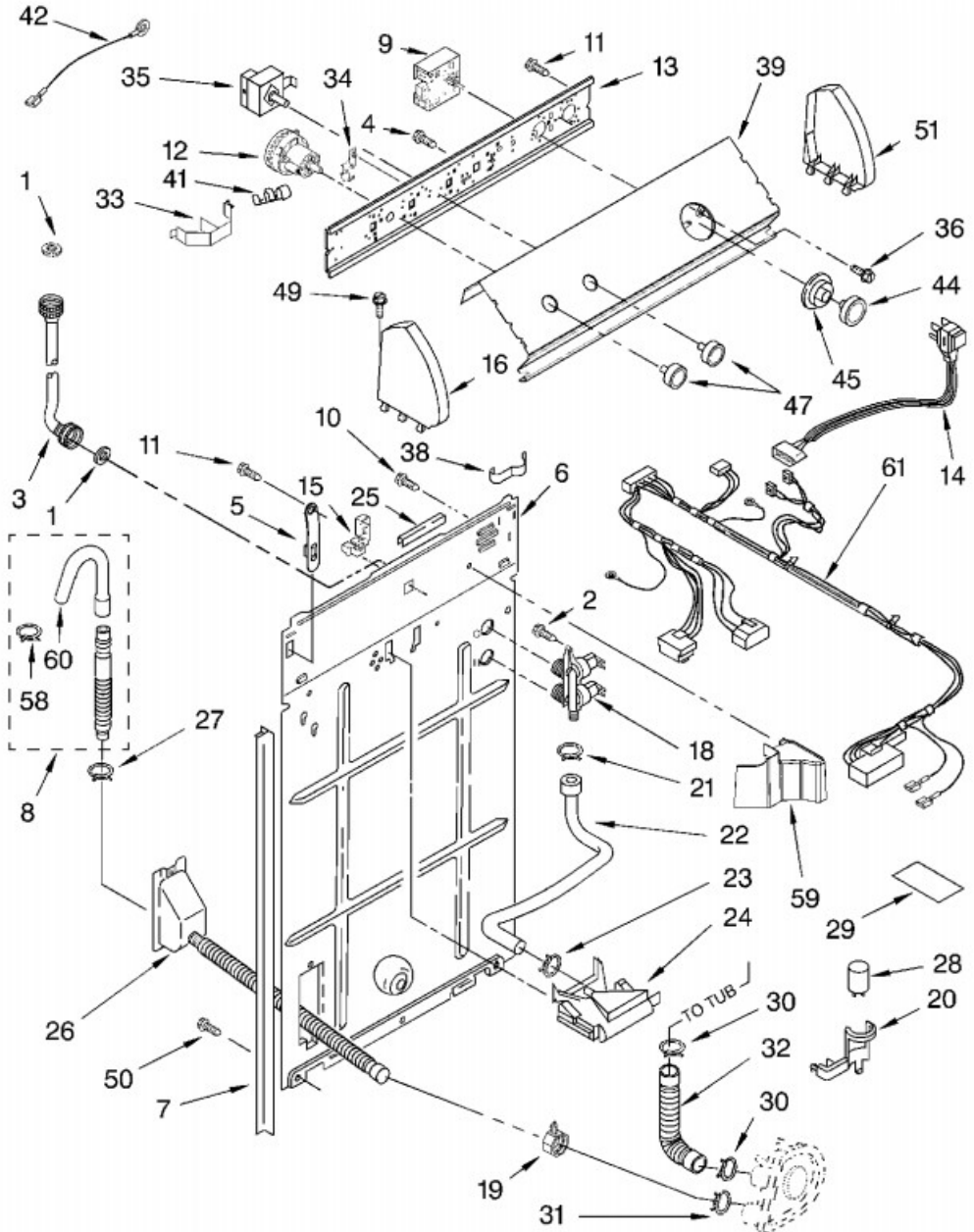
| TOP AND CABINET | | | |
|-----------------|--------------------------------------|---|---------|
| 2 | Top (White) | 1 | 8318068 |
| | Top (Biscuit) | 1 | 8318070 |
| 3 | Spacer, Cabinet To Top (4) | 4 | 62750 |
| 4 | Nut, Push-In (2) | 2 | 357213 |
| 5 | Cabinet (White) | 1 | 63424 |
| | Cabinet (Biscuit) | 1 | 3954357 |
| 6 | Clip, Top & Cabinet & Rear Panel (2) | 2 | 62780 |
| 7 | Screw, 10-16 x 1/2 | 1 | 308685 |
| 8 | Screw, Ground | 1 | 3351614 |
| 11 | Switch, Lid | 1 | 8318084 |
| 12 | Nut, Hex | 1 | 680762 |
| 13 | Screw, Lid Hinge Mounting (4) | 4 | 355274 |
| 15 | Hinge, Lid (L.H.) | 1 | 8318088 |
| 16 | Hinge, Lid (R.H.) | 1 | 54583 |
| 17 | Bumper, Lid Hinge | 1 | 19119 |
| 18 | Bearing, Lid Hinge (2) | 2 | 21258 |
| 19 | Lid (White) | 1 | 8557513 |
| | Lid (Biscuit) | 1 | 8557514 |
| 22 | Bumper, Lid (2) | 2 | 9724509 |
| 28 | Screw, 10-16 x 3/8 | 1 | 9420601 |

Distribuidor Autorizado

SurteRápido.com

Venta de Refacciones
Electrodomesticas

Lavadora Whirlpool 7MLSR623JT5





Lavadora Whirlpool 7MLSR623JT5

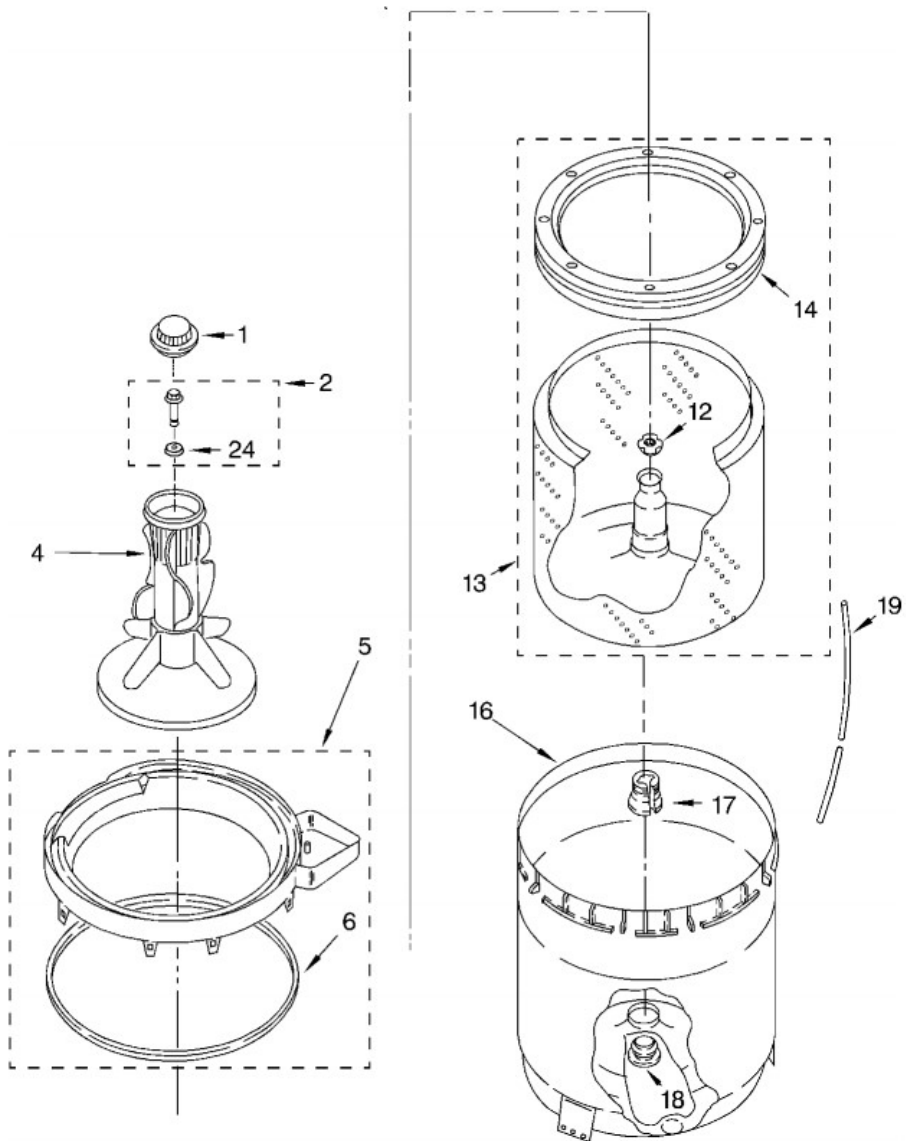
| CONTROLS AND REAR PANEL | | | |
|-------------------------|--|---|---------|
| 1 | Washer, Water Inlet Hose (4) (1-1/16 x 5/8) | 4 | 16123 |
| 2 | Screw, 8-18 x 1/2 | 1 | 9740848 |
| 3 | Hose, Water Inlet (2) (Blue Coupler) | 2 | 89503 |
| | Hose, Water Inlet (2) (Red Coupler) | 2 | 89503 |
| 4 | Screw, Ground | 1 | 3179795 |
| 5 | Strap, Console (2) | 2 | 8318255 |
| 6 | Panel, Rear | 1 | 8318405 |
| 7 | Pad, Rear Panel | 1 | 62747 |
| 8 | Hose, Drain (4 Ft.) | 1 | 285664 |
| | Hose, Drain (9 Ft.) (Not Included) | 1 | 285666 |
| | Extension Drain-Hose (21 Inches) (Not Included) | 1 | 285702 |
| 9 | Timer, Control (60 Hz.) (Motor Not A Service Part) | 1 | 3953146 |
| 10 | Screw, Ground | 1 | 3351614 |
| 11 | Screw, 8-18 x 3/8 | 1 | 90767 |
| 12 | Switch, Water Level | 1 | 3366849 |
| 13 | Bracket, Control | 1 | 3948608 |
| 14 | Cord, Power (Includes Item 15) | 1 | 8532158 |
| 15 | Strain Relief, Power Cord | 1 | 285777 |
| 16 | Cap, End (L.H.) (White) | 1 | 279962 |
| | Cap, End (L.H.) (Biscuit) | 1 | 8314852 |
| 18 | Valve, Water Mixing | 1 | 3952164 |
| 19 | Clamp, Hose | 1 | 3976395 |
| 20 | Clip, Capacitor | 1 | 8318201 |
| 21 | Clamp, Hose | 1 | 596669 |
| 22 | Hose, Vacuum Break | 1 | 8317926 |
| 23 | Clamp, Hose | 1 | 596669 |
| 24 | Break, Vacuum | 1 | 3360977 |
| 25 | Edge Protector | 1 | 3367669 |
| 26 | Drain Hose Assembly | 1 | 8317940 |
| 27 | Clamp, Hose | 1 | 356138 |
| 28 | Capacitor, Motor Start | 1 | 661606 |
| 29 | Shield, Capacitor | 1 | 3976286 |
| 30 | Clamp, Hose | 1 | 616099 |
| 31 | Clamp, Hose | 1 | 285655 |
| 32 | Hose, Pump To Tub | 1 | 285871 |
| 33 | Clip, Harness & Pressure Hose | 1 | 8055003 |
| 34 | Retainer, Harness | 1 | 8317975 |
| 35 | Switch, Water Temperature | 1 | 661612 |
| 36 | Screw, Timer Mounting | 1 | 3400818 |
| 38 | Clip, Harness | 1 | 8528351 |
| 39 | Panel, Console (White) | 1 | 8531976 |
| | Panel, Console (Biscuit) | 1 | 8531977 |



Lavadora Whirlpool 7MLSR623JT5

| CONTROLS AND REAR PANEL | | | |
|-------------------------|--|---|---------|
| 41 | Clip, Grounding | 1 | 357572 |
| 42 | Wire, Ground | 1 | 3395559 |
| 44 | Knob, Timer (White) | 1 | 8271345 |
| | Knob, Timer (Biscuit) | 1 | 8271347 |
| 45 | Dial, Timer (White) | 1 | 8271351 |
| | Dial, Timer (Biscuit) | 1 | 8271370 |
| 47 | Knob, Control (White) | 1 | 8271339 |
| | Knob, Control (Biscuit) | 1 | 8271348 |
| 49 | Screw, 8-18 x 1.25 (Panel to Top) | 1 | 388326 |
| 50 | Screw, 10-16 x 3/8 | 1 | 9420601 |
| 51 | Cap, End (R.H.) (White) | 1 | 279962 |
| | Cap, End (R.H.) (Biscuit) | 1 | 8314851 |
| 58 | Clamp, Drain Hose | 1 | 3357331 |
| 59 | Shield, Inlet Valve | 1 | 8314879 |
| 60 | Nozzle-Drain Hose | 1 | 3357027 |
| 61 | Wiring Harness (For Detail See Pages 9 & 10) | 1 | 3956733 |

Lavadora Whirlpool 7MLSR623JT5

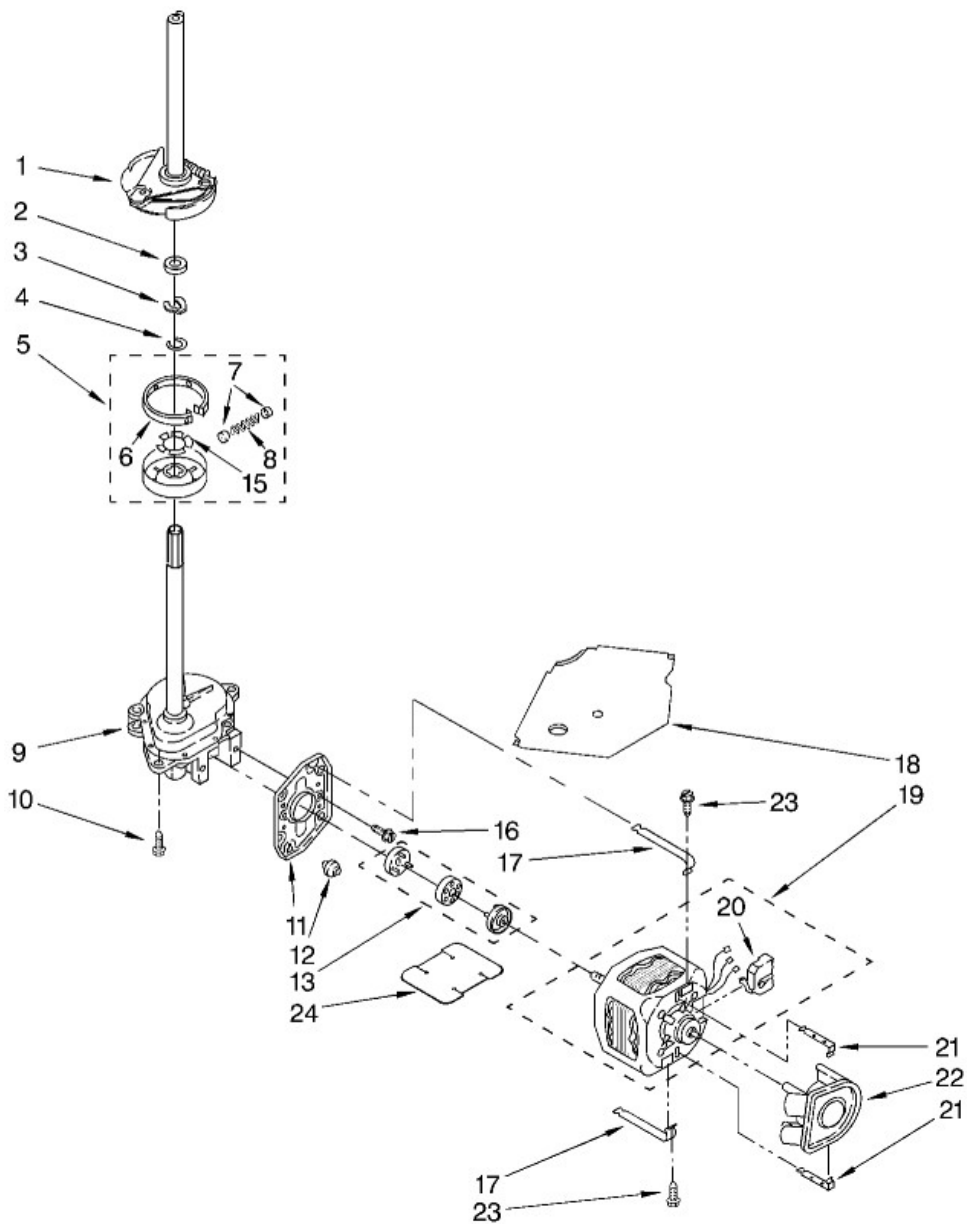




Lavadora Whirlpool 7MLSR623JT5

| AGITATOR, BASKET AND TUB | | |
|--------------------------|------------------------------|---------|
| 1 | Cap, Agitator | 3355758 |
| 2 | Screw & Washer (5/16-24 x 1) | 285009 |
| 4 | Agitator | 63235 |
| 5 | Tub Ring & Gasket | 8528150 |
| 6 | Gasket, Tub Ring | 3976308 |
| 12 | Nut, Spanner | 21366 |
| 13 | Basket & Balance Ring | 8526017 |
| 14 | Balance Ring | 8519788 |
| 16 | Tub | 63849 |
| 17 | Block, Basket Drive | 389140 |
| 18 | Gasket, Centerpost | 383727 |
| 19 | Hose, Pressure Switch | 353244 |
| 24 | Washer | 3949550 |
| ACCESSORY PARTS | | |
| | Fabric Dispenser | 63580 |
| | Drain Protector | 367031 |
| | Siphon Break Kit | 285320 |

Lavadora Whirlpool 7MLSR623JT5

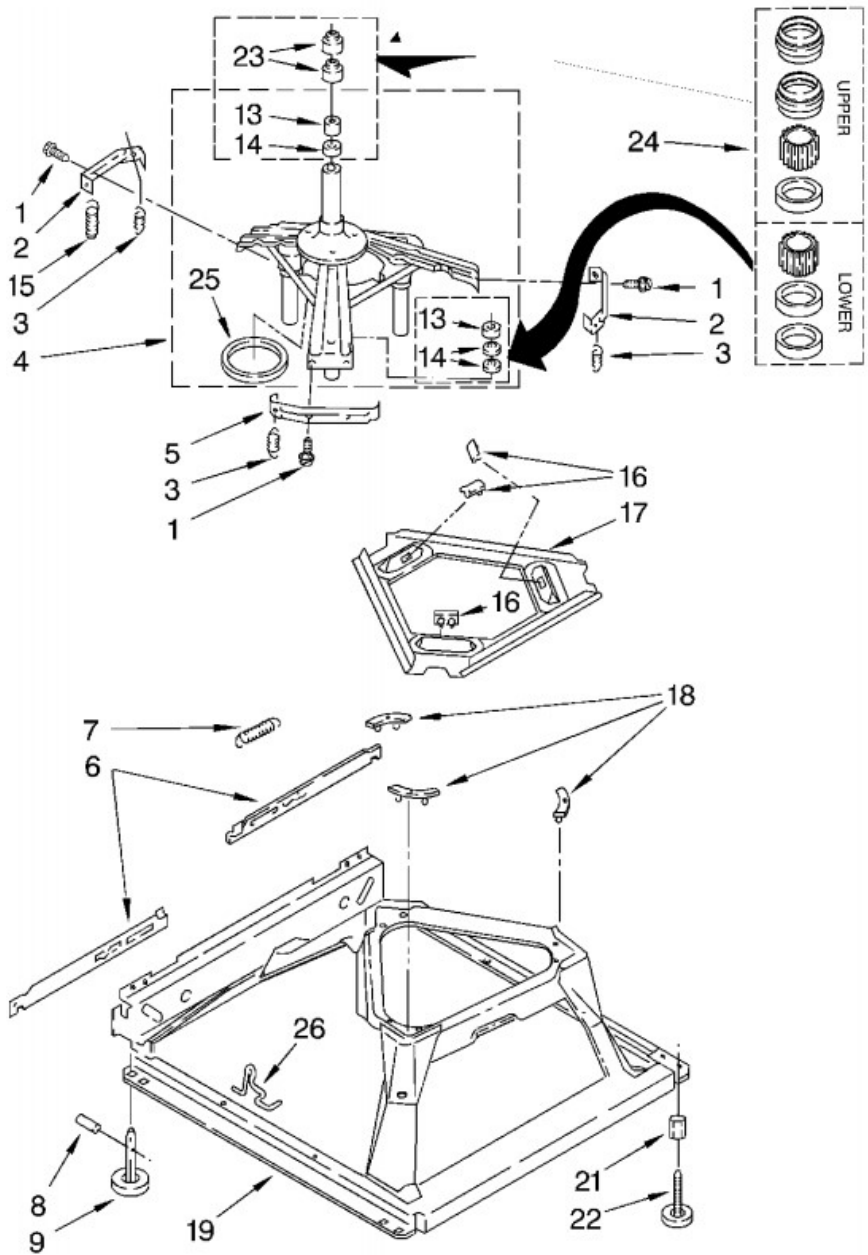




Lavadora Whirlpool 7MLSR623JT5

| BRAKE, CLUTCH, GEARCASE, MOTOR AND PUMP | | | |
|--|--|---|---------|
| 1 | Brake & Drive Tube (Complete) (Refer to Page 11 For Further Breakdown) | 1 | 285792 |
| 2 | Washer, Spin Tube Thrust | 1 | 63292 |
| 3 | Ring, Spin Tube Support | 1 | 62697 |
| 4 | Ring, Retainer | 1 | 285353 |
| 5 | Clutch (Complete) | 1 | 285785 |
| 6 | Band & Lining, Clutch (Includes Illus. 7 & 8) | 1 | 285790 |
| 7 | Cap, Clutch Spring (2) | 2 | 62646 |
| 8 | Spring, Clutch | 1 | 3946792 |
| 9 | Gearcase (Complete) (Refer To Page 12 For Further Breakdown) | 1 | 8532118 |
| 10 | Screw, Gearcase To Base (3) | 3 | 3400516 |
| 11 | Plate, Motor Mount To Gearcase | 1 | 62611 |
| 12 | Grommet, Motor (4) | 4 | 62691 |
| 13 | Coupling, Motor & Isolation | 1 | 285753 |
| 15 | Clip, Anti-Rattle | 1 | 3355454 |
| 16 | Screw | 1 | 3400516 |
| 17 | Retainer, Motor (2) | 2 | 3349637 |
| 18 | Shield, Tub To Motor | 1 | 3362316 |
| 19 | Motor, Main Drive | 1 | 389248 |
| 20 | Switch, Main Drive Motor | 1 | 3952056 |
| 21 | Retainer, Pump (2) | 2 | 8546127 |
| 22 | Pump (Complete) | 1 | 3363394 |
| 23 | Screw, 10-16 x 5/8 | 1 | 273556 |
| 24 | Shield, Motor | 1 | 3946532 |

Lavadora Whirlpool 7MLSR623JT5

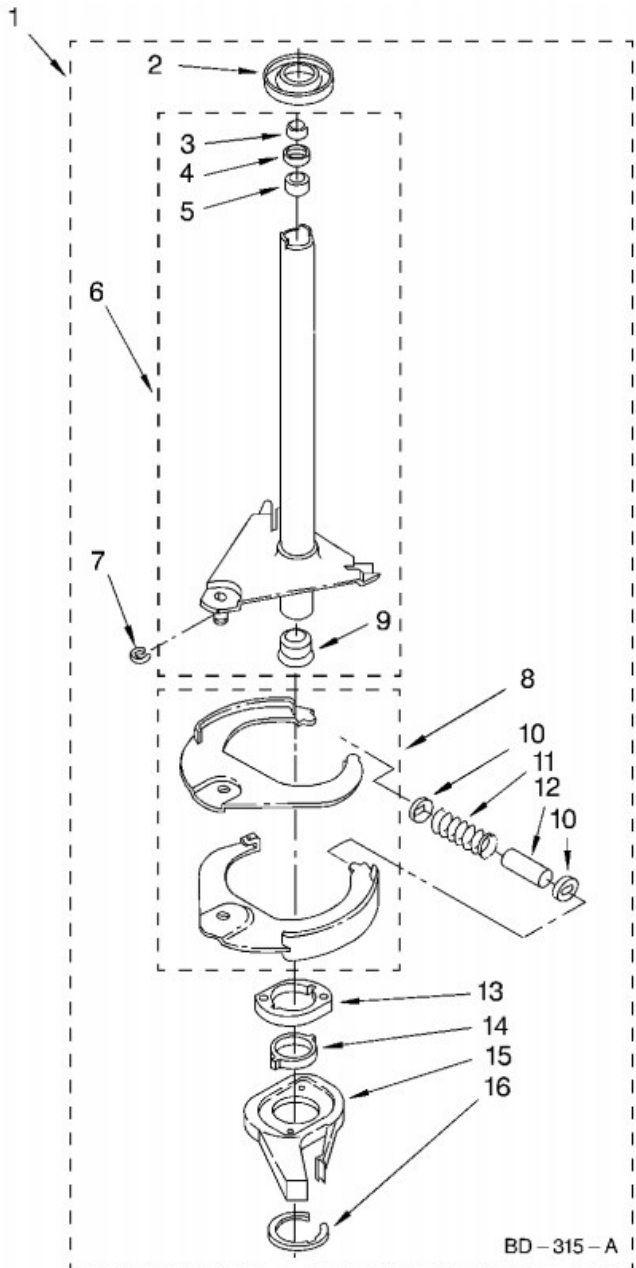




Lavadora Whirlpool 7MLSR623JT5

| MACHINE BASE | | | |
|--------------|--|---|---------|
| 1 | Screw, Bracket Mounting (10-32 x 5/8) | 1 | 3400076 |
| 2 | Bracket, Spring Outer (2) | 2 | 64067 |
| 3 | Spring Suspension,(3) | 3 | 63907 |
| 4 | Support & Brake, Tub | 1 | 3362087 |
| 5 | Bracket, Spring Outer (L.F.) | 1 | 64065 |
| 6 | Link, Leveling Mechanism (2) | 2 | 63466 |
| 7 | Spring, Leveling Mechanism | 1 | 8316845 |
| 8 | Pin, Knurled | 1 | 62837 |
| 9 | Foot, Rear (2) | 2 | 285244 |
| 13 | Bearing, Centerpost (2) | 2 | 359398 |
| 14 | Seal, Centerpost (3) | 3 | 359449 |
| 15 | Spring, Counterweight | 1 | 388492 |
| 16 | Pad, Plate | 1 | 285219 |
| 17 | Plate, Suspension (Includes Illus. 16) | 1 | 3946509 |
| 18 | Pad, Base | 1 | 285744 |
| 19 | Base Assembly (Includes Illus. 6, 7, 8, 9, 16, 17 18 & 26) | 1 | 285771 |
| 21 | Nut, Lock (3/8-16) (2) | 2 | 3359452 |
| 22 | Foot, Front (2) | 2 | 389102 |
| 23 | Seal, Centerpost (2) | 2 | 356934 |
| 24 | Centerpost Bearing Kit (Includes Illus. 13, 14 & 23) | 1 | 285203 |
| 25 | Ring, Sound Deadening | 1 | 63134 |
| 26 | Retainer, Suspension Spring | 1 | 63806 |

Lavadora Whirlpool 7MLSR6232JT5

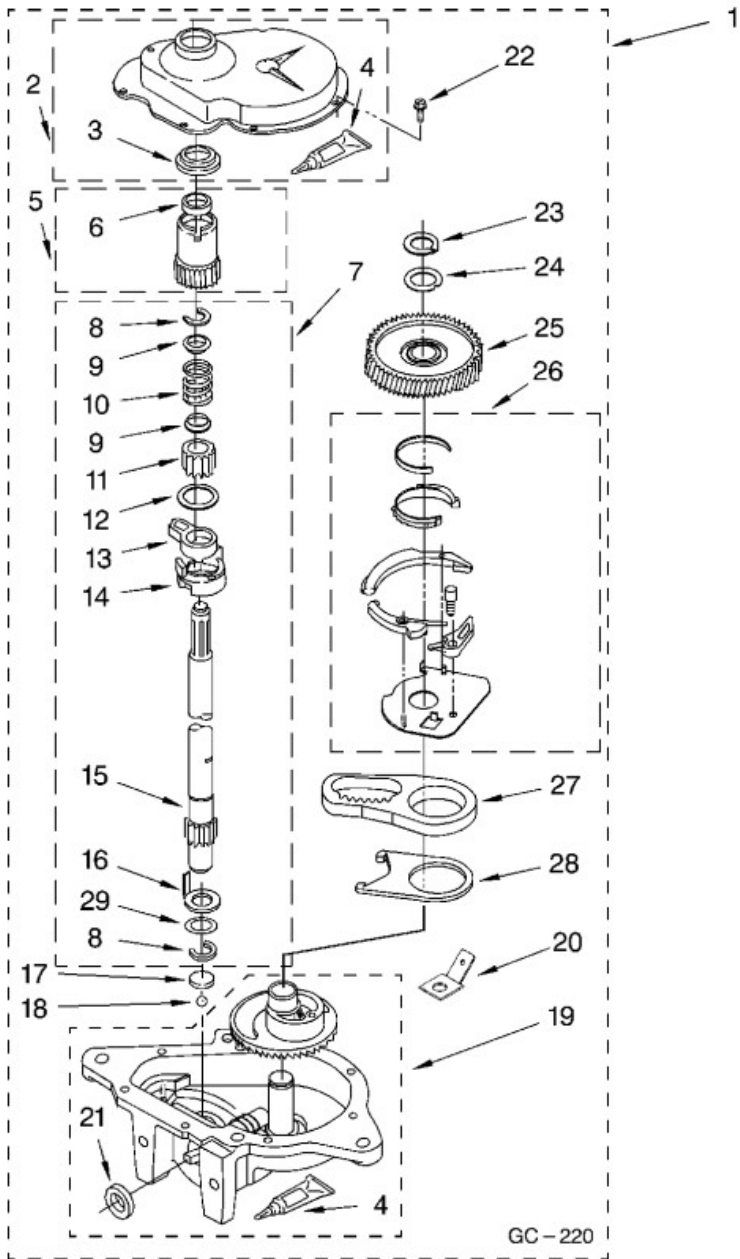




Lavadora Whirlpool 7MLSR623JT5

| BRAKE AND DRIVE TUBE | | | |
|-----------------------------|--|---|--------|
| 1 | Brake And Drive Tube (Complete) | 1 | 285792 |
| 2 | Ring, Thrust | 1 | 62658 |
| 3 | Seal, Oil | 1 | 91939 |
| 4 | Seal, Drive Tube | 1 | 356427 |
| 5 | Spacer, Drive Tube | 1 | 356937 |
| 6 | Tube, Basket Drive (Includes Illus. 3, 4, 5 & 9) | 1 | 64208 |
| 7 | Ring, Retaining | 1 | 64035 |
| 8 | Shoe, Brake | 1 | 285438 |
| 9 | "T" Bearing, Spin Tube | 1 | 62703 |
| 10 | Cap, Brake Spring (2) | 2 | 285658 |
| 11 | Spring, Brake | 1 | 387806 |
| 12 | Sleeve, Brake Spring | 1 | 285658 |
| 13 | Cam, Brake Release | 1 | 661516 |
| 14 | Sleeve, Cam | 1 | 63022 |
| 15 | Driver, Brake Cam | 1 | 285790 |
| 16 | Ring, Retaining | 1 | 90368 |

Lavadora Whirlpool 7MLSR623JT5





Lavadora Whirlpool 7MLSR623JT5

| GEARCASE | | |
|----------|--|---------|
| 1 | Gearcase (Complete) | 8532118 |
| 2 | Cover, Gearcase | 285202 |
| 3 | Seal, Gearcase Cover | 3349985 |
| 4 | Sealer, Gasket (.20 Fl. Oz.) (6 ml) | 285195 |
| 5 | Pinion, Spin (Includes Illus. 25) | 285362 |
| 6 | Seal, Spin Pinion | 356427 |
| 7 | Shaft, Agitator (Complete) | 389387 |
| 8 | Ring, Retaining (2) | 90369 |
| 9 | Retainer, Spring (2) | 62677 |
| 10 | Spring, Agitate | 62676 |
| 11 | Gear, Agitate (Includes 15 & 29) | 285509 |
| 12 | Washer, Agitate Gear | 62619 |
| 13 | Cam Follower (Includes 14) | 285206 |
| 14 | Cam, Agitate (Includes 13) | 285206 |
| 15 | Shaft, Agitator (Includes 11 & 29) | 285509 |
| 16 | Washer, Cam Thrust | 62618 |
| 17 | Bearing, Thrust (Includes 18) | 285205 |
| 18 | Ball, Bearing (Includes 17) | 285205 |
| 19 | Bottom and Pinion, Gearcase | 285515 |
| 20 | Block Tab, Terminal | 3949116 |
| 21 | Seal, Thrust Plug | 285352 |
| 22 | Screw, Gearcase Cover Mounting (8) (10-24 x 3/8) | 3351614 |
| 23 | Ring, Retaining | 285765 |
| 24 | Washer Kit, Thrust | 285766 |
| 25 | Gear, Spin | 285362 |
| 26 | Neutral Assembly | 388253 |
| 27 | Rack, Connecting | 3949609 |
| 28 | Actuator, Shift | 62621 |
| 29 | Washer, Intermediate | 388815 |