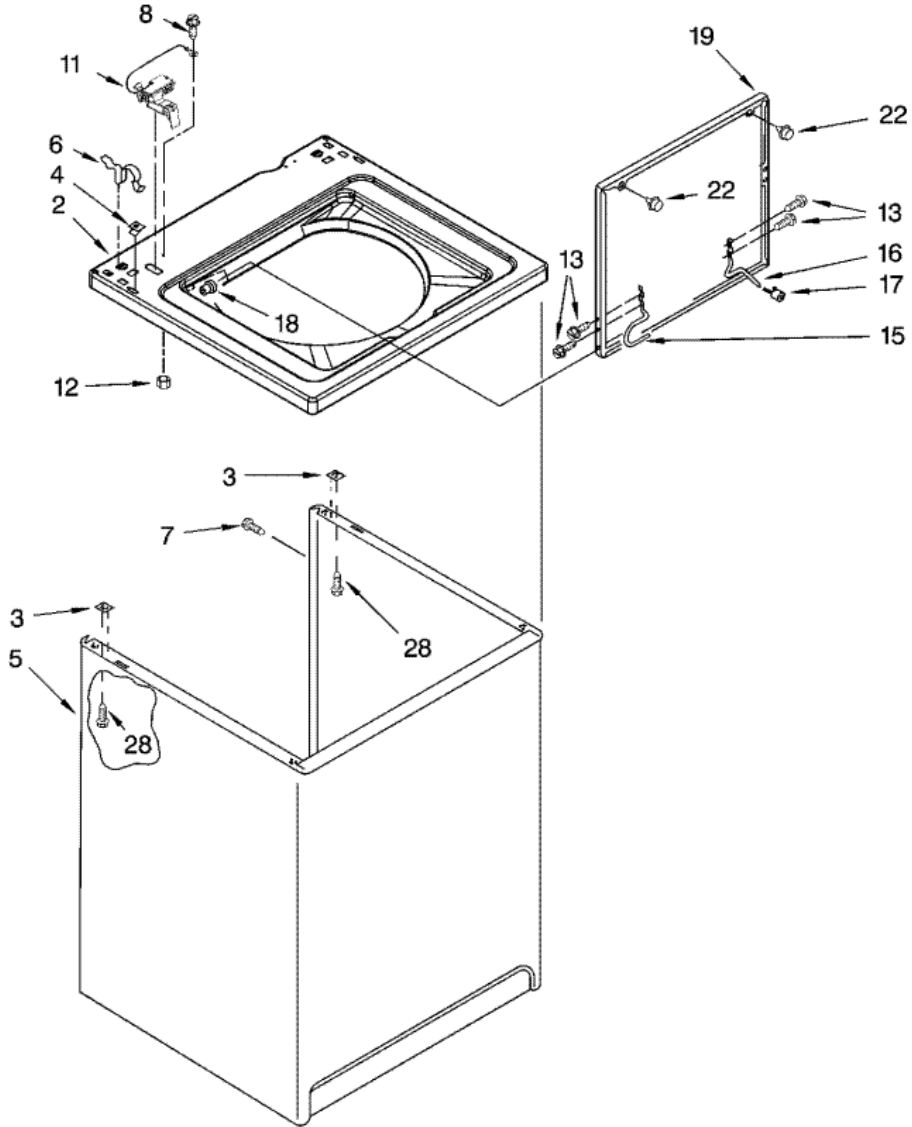


**7MLSR7103MQ1 GABINETE**





## 7MLSR7103MQ1 GABINETE

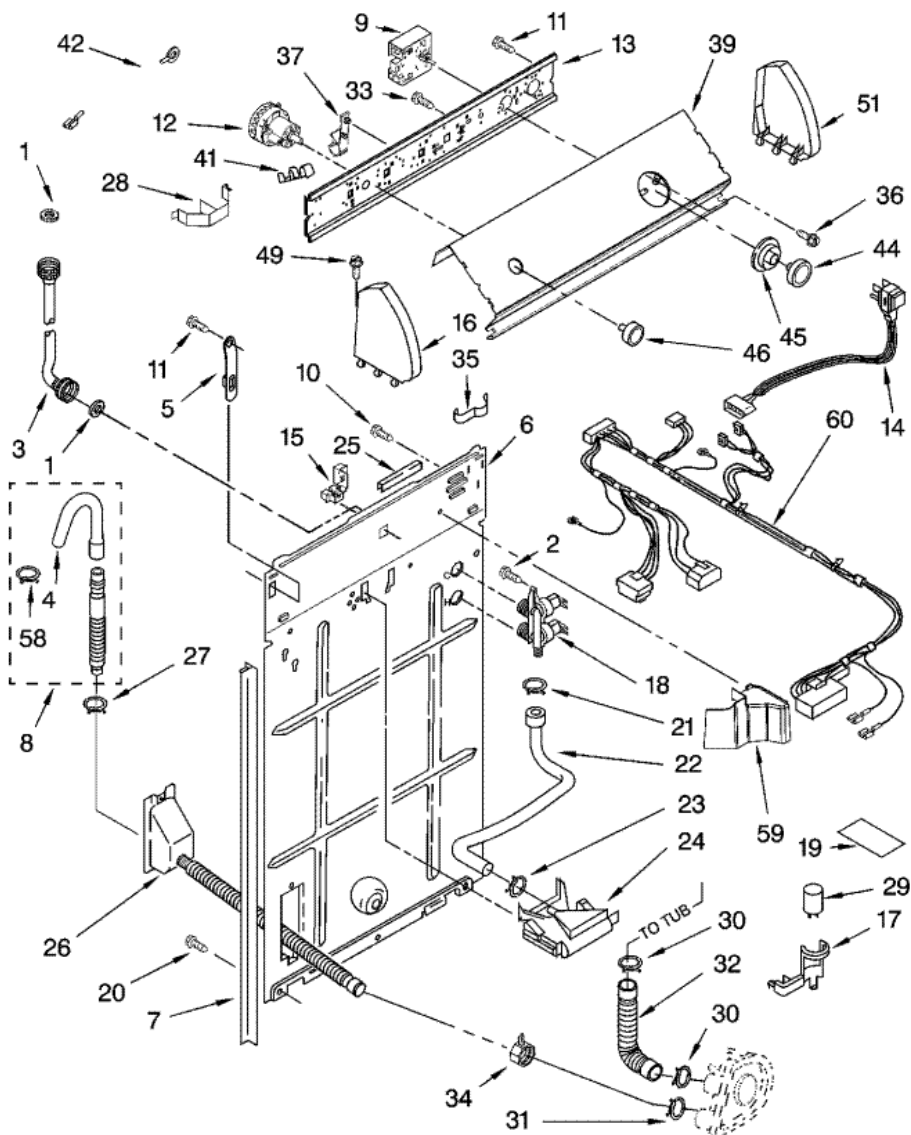
2	8318068	TOP <b>(S/P)</b>
3	62750	SPACER, CABINET TO TOP (4) <b>(S/P)</b>
4	357213	NUT, PUSH-IN (2) <b>(S/P)</b>
5	63424	CABINET <b>(S/P)</b>
6	62780	CLIP, TOP & CABINET & REAR PANEL (2)
7	3357011	SCREW, 10-16 X 1/2 <b>(S/P)</b>
8	3351614	SCREW, GROUND <b>(S/P)</b>
11	8318084	SWITCH, LID
12	680762	NUT, HEX <b>(S/P)</b>
13	3351355	SCREW, LID HINGE MOUNTING (4) <b>(S/P)</b>
15	8318088	HINGE, LID (L.H.) <b>(S/P)</b>
16	54583	HINGE, LID (R.H.) <b>(S/P)</b>
17	19119	BUMPER, LID HINGE <b>(S/P)</b>
18	21258	BEARING, LID HINGE (2) <b>(S/P)</b>
19	3957615	LID <b>(S/P)</b>
22	93770	BUMPER, LID (2)
28	3390631	SCREW 10-16 X 3/8 (4) <b>(S/P)</b>

Distribuidor Autorizado

**SurteRápido.com**

Venta de Refacciones  
Electrodomesticas

## 7MLSR7103MQ1 TABLERO



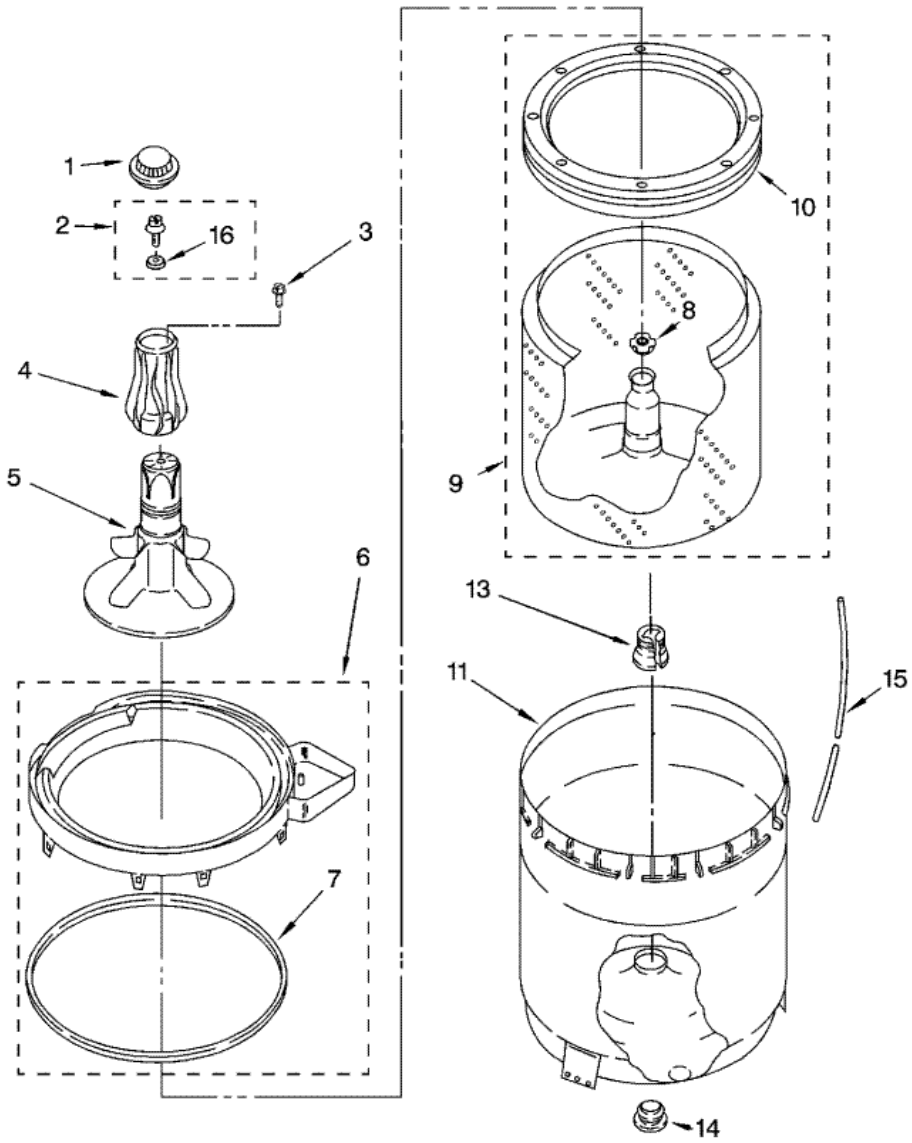


## 7MLSR7103MQ1 TABLERO

1	16123	WASHER, WATER INLET HOSE (2) (S/P)
2	9740848	SCREW, 8-18 X 1/2 (S/P)
3	89503	HOSE, WATER INLET
4	3357027	NOZZLE-DRAIN HOSE (S/P)
5	8568314	STRAP, CONSOLE (2) (S/P)
6	8318405	PANEL, REAR (S/P)
7	62747	PAD, REAR PANEL (S/P)
8	285702	EXTENSION, DRAIN HOSE (S/P)
8	285664	HOSE, DRAIN (4 FT.)
8	661577	HOSE, DRAIN (9 FT.) (NOT INCLUDED) (S/P)
9	8542377	TIMER, CONTROL (60 HZ.)
10	3351614	SCREW, GROUND (S/P)
11	90767	SCREW, 8-18 X 3/8 (S/P)
12	3366848	SWITCH, WATER LEVEL
13	3948608	BRACKET, CONTROL (S/P)
14	8532158	CORD, POWER (INCLUDES ITEM 15) (S/P)
15	285777	STRAIN RELIEF, POWER CORD (S/P)
16	279962	CAP, END (L.H.)
17	8318201	CLIP, CAPACITOR (S/P)
18	8541697	VALVE, WATER INLET-SINGLE PORT (S/P)
19	3976286	SHIELD, CAPACITOR (S/P)
20	62863	SCREW, 10-16 X 3/8 (S/P)
21	596669	CLAMP, HOSE (S/P)
22	8317926	HOSE, VACUUM BREAK
23	596669	CLAMP, HOSE (S/P)
24	3360977	BREAK, VACUUM (S/P)
25	3367669	EDGE PROTECTOR (S/P)
26	8317940	DRAIN HOSE ASSEMBLY
27	356138	CLAMP, HOSE
28	8055003	CLIP, HARNESS & PRESSURE HOSE (S/P)
29	8572717	CAPACITOR, MOTOR START (S/P)
30	616099	CLAMP, HOSE (S/P)
31	285655	CLAMP, HOSE (S/P)

32	285871	HOSE, PUMP TO TUB (INCLUDES 30)
33	3179795	SCREW, GROUND <b>(S/P)</b>
34	3976395	CLAMP, HOSE <b>(S/P)</b>
35	8528351	CLIP, HARNESS <b>(S/P)</b>
36	3400818	SCREW, TIMER MOUNTING <b>(S/P)</b>
37	8317975	RETAINER, HARNESS <b>(S/P)</b>
39	8539621	PANEL, CONSOLE <b>(S/P)</b>
41	357572	CLIP, GROUNDING <b>(S/P)</b>
42	3395559	WIRE, GROUND <b>(S/P)</b>
44	3957824	KNOB, TIMER
45	3957849	DIAL, TIMER
46	3957799	KNOB, CONTROL
49	388326	SCREW, CONSOLE (PANEL TO TOP) <b>(S/P)</b>
51	279962	CAP, END (R.H.)
58	3357331	CLAMP, DRAIN HOSE <b>(S/P)</b>
59	8314879	SHIELD, INLET VALVE <b>(S/P)</b>
60	3956732	HARNESS, WIRING <b>(S/P)</b>

**7MLSR7103MQ1 TINA**

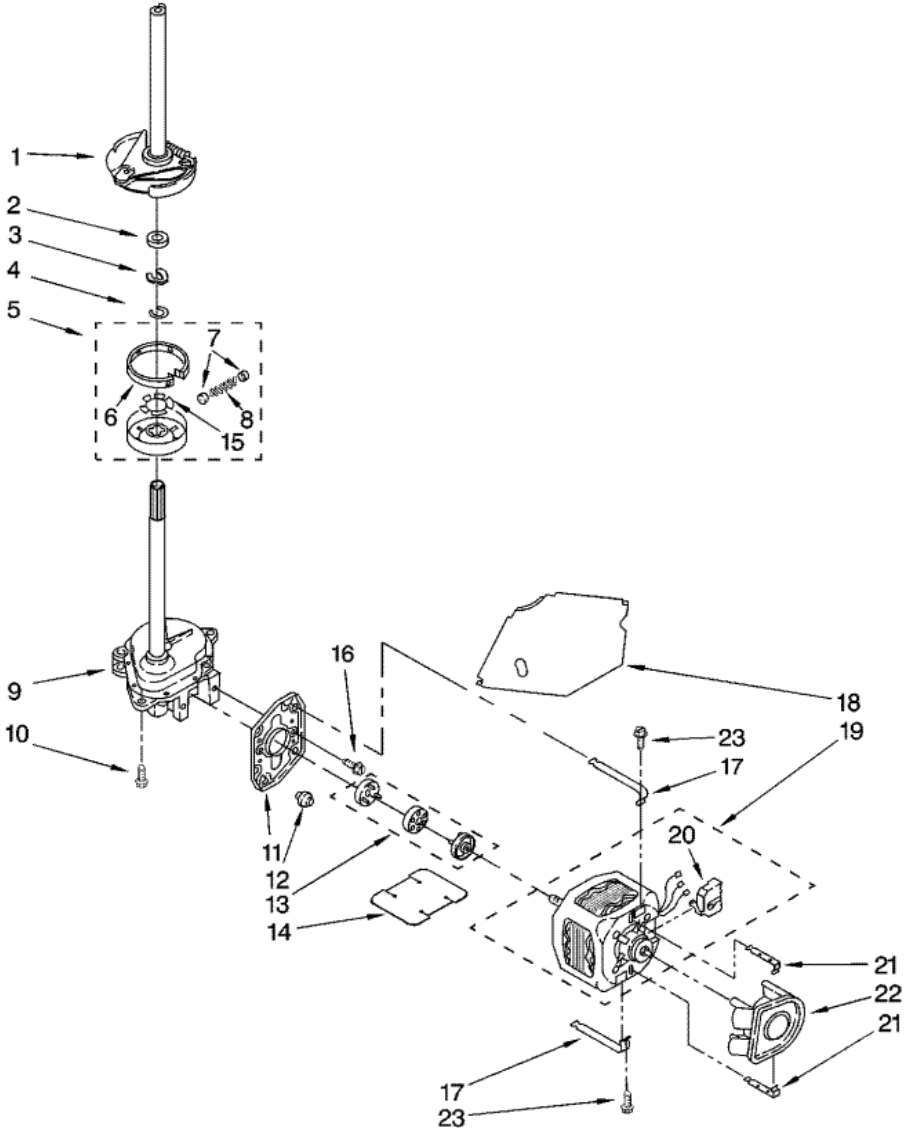




## 7MLSR7103MQ1 TINA

1	3428527	CAP, AGITATOR
2	358237	SCREW & WASHER
3	63027	SCREW (2) <b>(S/P)</b>
4	64210	EXTENSION, AGITATOR
5	387838	AGITATOR
6	8528150	TUB RING
7	3976308	GASKET, TUB RING
8	21366	NUT, SPANNER
9	8526017	BASKET & BALANCE RING <b>(S/P)</b>
10	387240	BALANCE RING <b>(S/P)</b>
11	63849	TUB <b>(S/P)</b>
13	389140	BLOCK, DRIVE
14	383727	GASKET, CENTERPOST
15	353244	HOSE, PRESSURE SWITCH
16	3949550	WASHER <b>(S/P)</b>

**7MLSR7103MQ1 MOTOR**







## 7MLSR7103MQ1 MOTOR

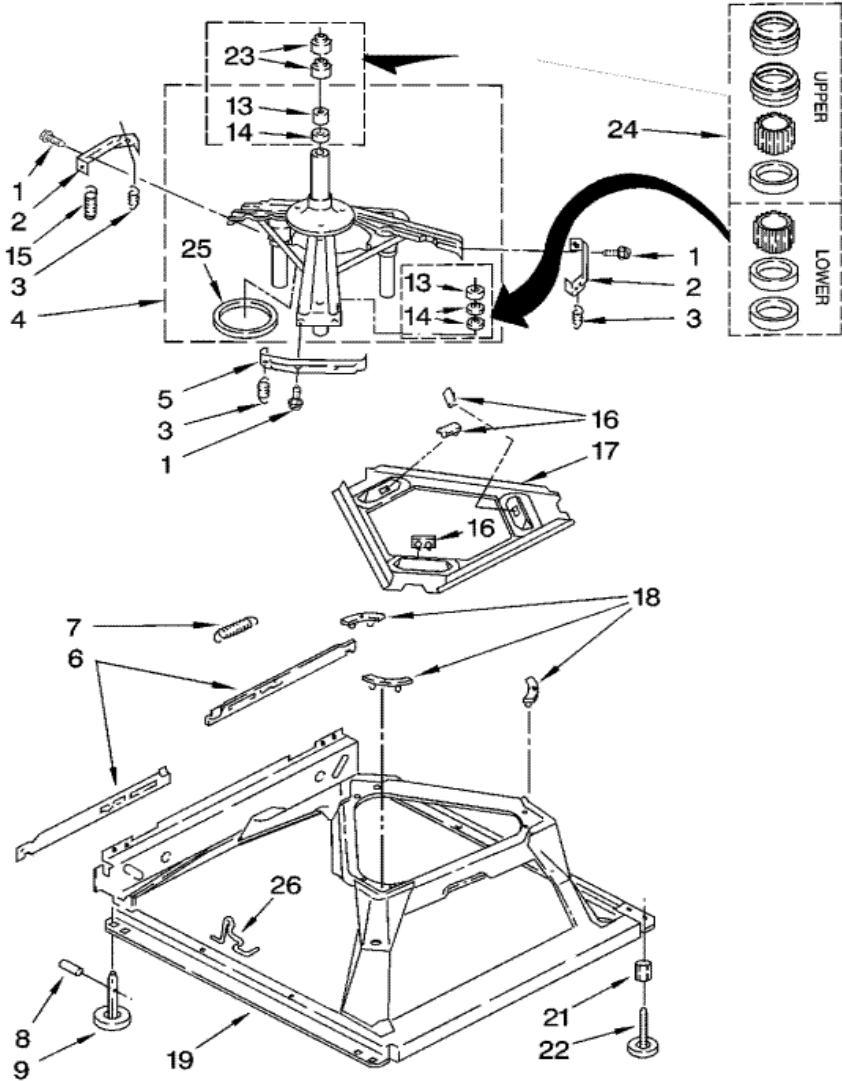
1	285792	BRAKE & DRIVE TUBE (COMPLETE)
2	63292	WASHER, SPIN TUBE THRUST
3	62697	RING, SPIN TUBE SUPPORT
4	285353	RING, RETAINER
5	285785	CLUTCH (COMPLETE)
6	285790	BAND & LINING, CLUTCH
7	62646	CAP, CLUTCH SPRING (2) <b>(S/P)</b>
8	3946792	SPRING, CLUTCH <b>(S/P)</b>
9	3360629	GEARCASE (COMPLETE)
10	3357334	SCREW, GEARCASE TO BASE (3) <b>(S/P)</b>
11	62611	PLATE, MOTOR MOUNT TO GEARCASE
12	62691	GROMMET, MOTOR (4)
13	285753	COUPLING, MOTOR AND ISOLATION
14	8316060	SHIELD, MOTOR <b>(S/P)</b>
15	3355454	CLIP, ANTI-RATTLE <b>(S/P)</b>
16	3400516	SCREW <b>(S/P)</b>
17	3349637	RETAINER, MOTOR (2)
18	3362089	SHIELD, TUB TO MOTOR <b>(S/P)</b>
19	389248	MOTOR, MAIN DRIVE
20	3952056	SWITCH, MAIN DRIVE MOTOR <b>(S/P)</b>
21	62700	RETAINER, PUMP (2)
22	3363394	PUMP (COMPLETE)
23	3387485	SCREW, 10-16 X 5/8 <b>(S/P)</b>

Distribuidor Autorizado

SurteRápido.com

Venta de Refacciones  
Electrodomesticas

## 7MLSR7103MQ1 BASE

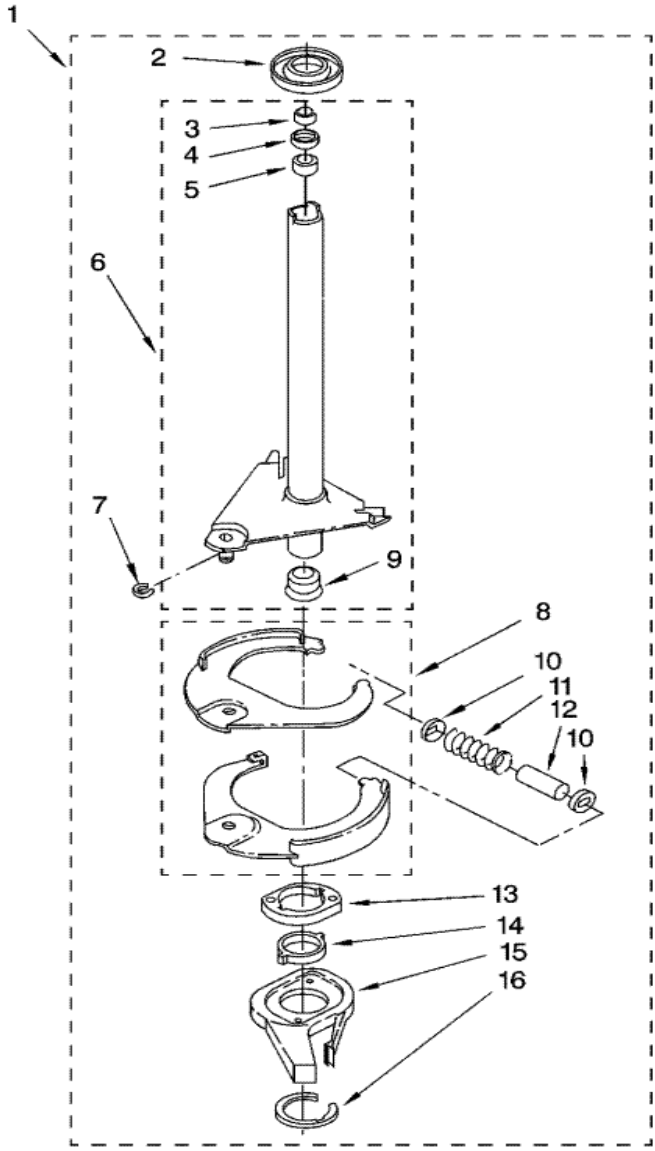




## 7MLSR7103MQ1 BASE

1	3400076	SCREW, BRACKET MOUNTING (10-32 X 5/8) <b>(S/P)</b>
2	64067	BRACKET, SPRING OUTER (2)
3	63907	SPRING, SUSPENSION (3)
4	280184	SUPPORT & BRAKE, TUB
5	64065	BRACKET, SPRING OUTER (L.F.)
6	63466	LINK, LEVELING MECHANISM (2)
7	8316845	SPRING, LEVELING MECHANISM
8	62837	PIN, KNURLED <b>(S/P)</b>
9	285244	FOOT, REAR (2)
13	8546455	BEARING, CENTERPOST (2) <b>(S/P)</b>
14	359449	SEAL, CENTERPOST (3)
15	388492	SPRING, COUNTERWEIGHT
16	285219	PAD, PLATE
17	3946509	PLATE, SUSPENSION (INCLUDES ILLUS. 16)
18	285744	PAD, BASE
19	285771	BASE ASSEMBLY
21	3359452	NUT, LOCK (3/8-16) <b>(S/P)</b>
22	389102	FOOT, FRONT (2)
23	91938	SEAL, CENTERPOST (2)
24	285203	CENTERPOST BEARING KIT
25	63134	RING, SOUND DEADENING
26	63806	RETAINER, SUSPENSION SPRING

**7MLSR7103MQ1 FLECHA HUECA**





## 7MLSR7103MQ1 FLECHA HUECA

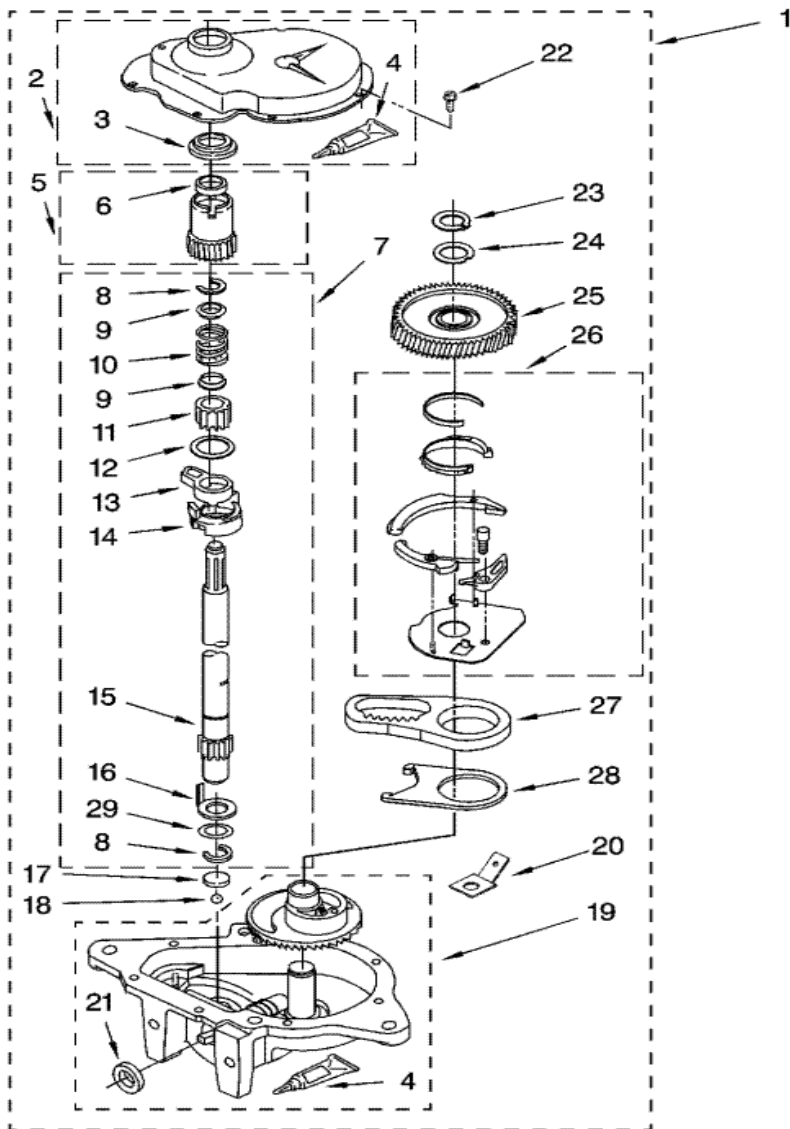
1	285792	BRAKE AND DRIVE TUBE (COMPLETE)
2	62658	RING, THRUST
3	91939	SEAL, OIL
4	356427	SEAL, DRIVE TUBE
5	356937	SPACER, DRIVE TUBE
6	64208	TUBE, BASKET DRIVE
7	64035	RING, RETAINING (S/P)
8	285438	SHOE, BRAKE
9	62703	``T`` BEARING, SPIN TUBE
10	285658	CAP, BRAKE SPRING (2) (S/P)
11	387806	SPRING, BRAKE
12	285658	SLEEVE, BRAKE SPRING (S/P)
13	661516	CAM, BRAKE RELEASE
14	63022	SLEEVE, CAM
15	64194	DRIVER, BRAKE CAM
16	90368	RING, RETAINING
16	285208	LUBRICANT (S/P)

Distribuidor Autorizado

SurteRápido.com

Venta de Refacciones  
Electrodomesticas

# 7MLSR7103MQ1 TRANSMISION

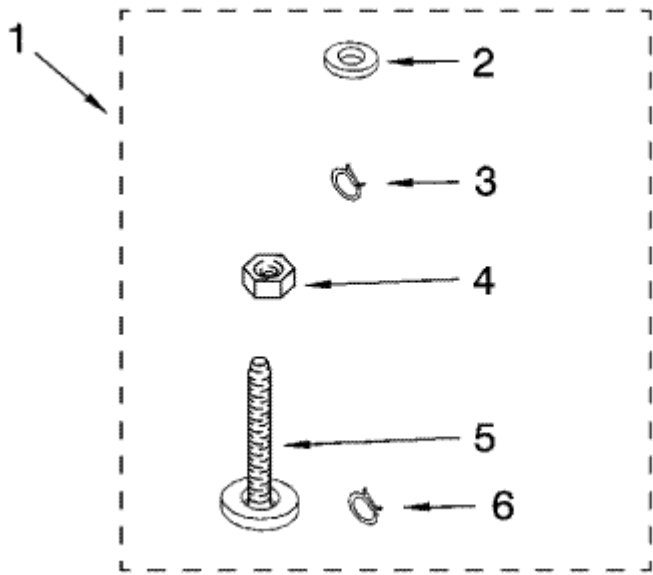




## 7MLSR7103MQ1 TRANSMISION

1	3360629	GEARCASE (COMPLETE)
2	285202	COVER, GEARCASE (S/P)
3	3349985	SEAL, GEARCASE COVER
4	285195	SEALER, GASKET (.20 FL. OZ.) (6 ML)
5	285362	PINION, SPIN (INCLUDES ILLUS. 25)
6	356427	SEAL, SPIN PINION
7	389387	SHAFT, AGITATOR (COMPLETE)
8	90369	RING, RETAINING (2)
9	62677	RETAINER, SPRING (2)
10	62676	SPRING, AGITATE
11	285509	<b>DESCONTINUADO</b>
12	62619	WASHER, AGITATE GEAR (S/P)
13	285206	CAM FOLLOWER (INCLUDES 14)
14	62581	CAM, AGITATE (INCLUDES 13) (S/P)
15	285509	<b>DESCONTINUADO</b>
16	62618	WASHER, CAM THRUST
17	285205	BEARING, THRUST (INCLUDES 18)
18	285205	BALL, BEARING (INCLUDES 17)
19	285515	BOTTOM AND PINION, GEARCASE (S/P)
20	3949116	BLOCK TAB, TERMINAL (S/P)
21	285352	SEAL, THRUST PLUG
22	3351614	SCREW, GEARCASE COVER MOUNTING (S/P)
23	285765	RING, RETAINING
24	285735	WASHER KIT, THRUST
25	285362	GEAR, SPIN
26	388253	NEUTRAL ASSEMBLY
27	3949609	RACK, CONNECTING
28	62621	ACTUATOR, SHIFT
29	388815	WASHER, INTERMEDIATE (S/P)

**7MLSR7103MQ1 PATA**



1	285654	MISCELLANEOUS PARTS BAG (S/P)
2	16123	WASHER, INLET HOSE (1-1/16 X 5/8) (S/P)
3	3357331	CLAMP, HOSE (S/P)
4	3359452	NUT, LOCK (2) (3/8-16) (S/P)
5	389102	FOOT, FRONT (2)
6	72017	PAINT, TOUCH-UP (1/2OZ.) (WHITE) (S/P)