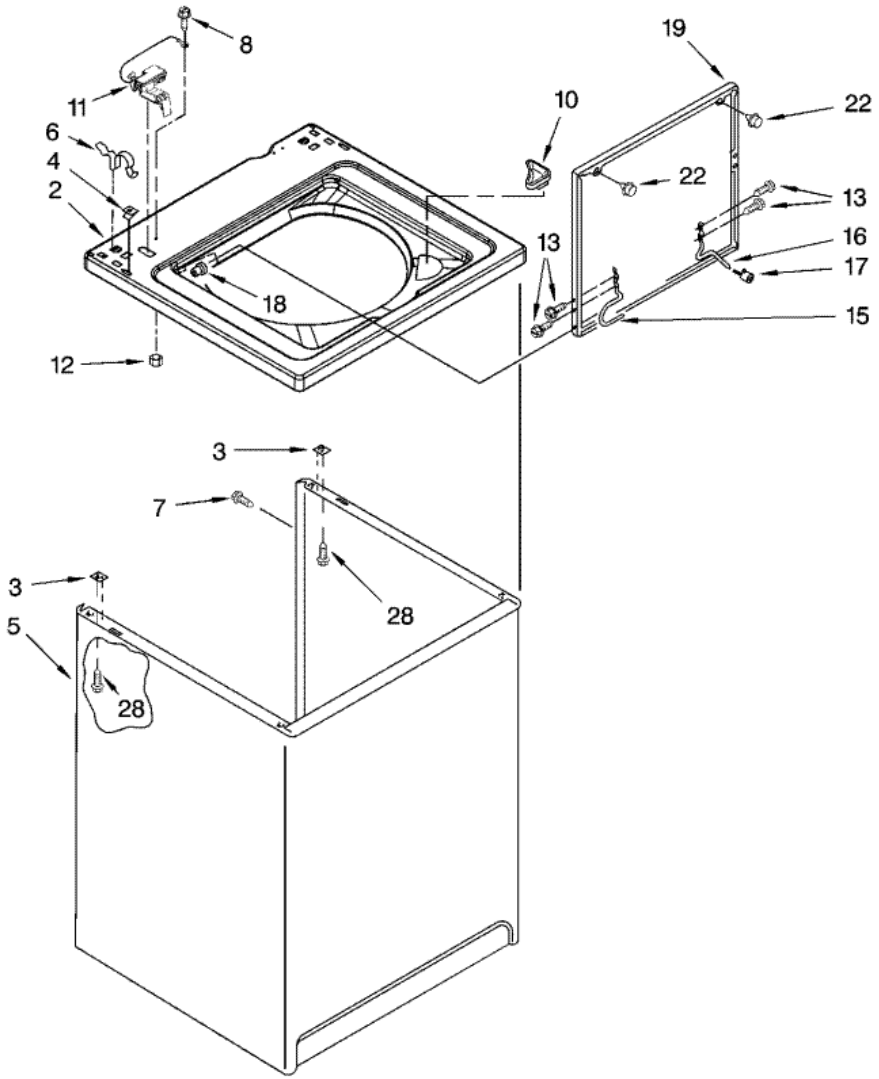


**7MLSR7232PQ1 GABINETE**





## 7MLSR7232PQ1 GABINETE

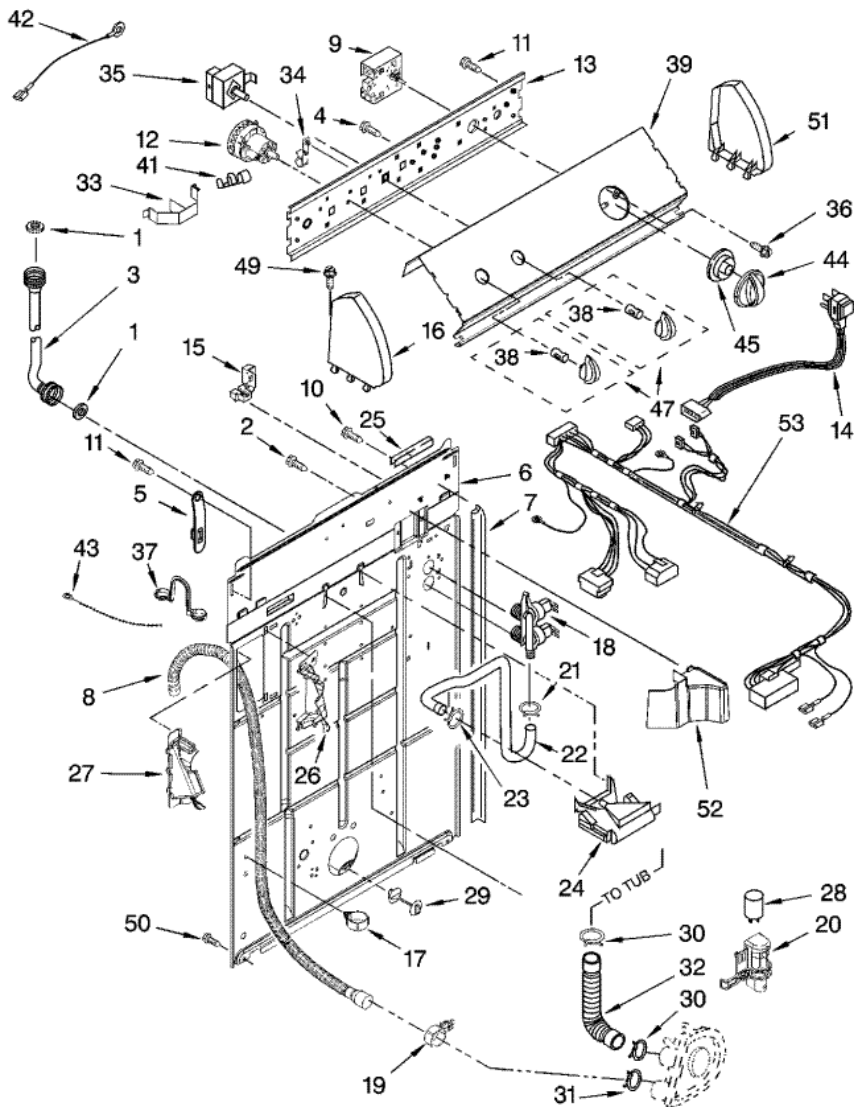
2	8318064	TOP (WHITE) (S/P)
2	8318066	TOP (BISCUIT) (S/P)
3	62750	SPACER, CABINET TO TOP (4) (S/P)
4	357213	NUT, PUSH-IN (2) (S/P)
5	3954357	CABINET (BISCUIT) (S/P)
5	63424	CABINET (WHITE) (S/P)
6	62780	CLIP, TOP & CABINET & REAR PANEL (2)
7	3357011	SCREW, 10-16 X 1/2 (S/P)
8	3351614	SCREW, GROUND (S/P)
10	3362952	DISPENSER, BLEACH
11	8318084	SWITCH, LID
12	680762	NUT, HEX (S/P)
13	3351355	SCREW, LID HINGE MOUNTING (4) (S/P)
15	8318088	HINGE, LID (L.H.) (S/P)
16	54583	HINGE, LID (R.H.) (S/P)
17	19119	BUMPER, LID HINGE (S/P)
18	21258	BEARING, LID HINGE (2) (S/P)
19	3957617	LID (WHITE) (S/P)
19	3957618	LID (BISCUIT) (S/P)
22	93770	BUMPER, LID (2)
28	3390631	SCREW, 10-16 X 3/8 (S/P)

Distribuidor Autorizado

**SurteRápido.com**

Venta de Refacciones  
Electrodomesticas

## 7MLSR7232PQ1 TABLERO



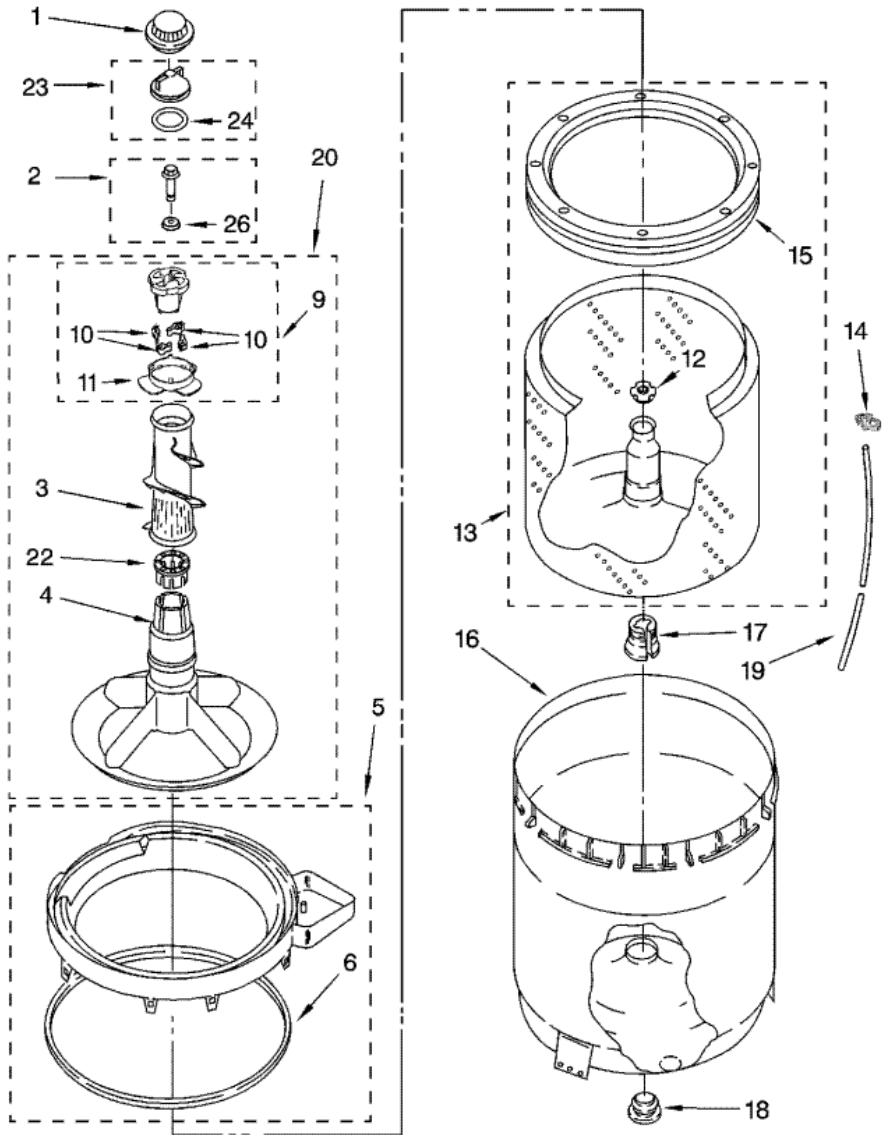


**7MLSR7232PQ1 TABLERO**

1	16123	WASHER, WATER INLET HOSE (4) (1-1/16 X 5/8) (S/P)
2	9740848	SCREW, 8-18 X 1/2 (S/P)
3	89503	HOSE, WATER INLET (2) (BLUE COUPLER)
4	3179795	SCREW, GROUND (S/P)
5	8568314	STRAP, CONSOLE (2) (S/P)
6	8318015	PANEL, REAR (S/P)
7	62747	PAD, REAR PANEL (S/P)
8	280162	DRAIN HOSE ASSEMBLY
9	3953146	TIMER, CONTROL (60 HZ.)
10	3351614	SCREW, GROUND (S/P)
11	90767	SCREW, 8-18 X 3/8 (S/P)
12	3366849	SWITCH, WATER LEVEL
13	8544893	BRACKET, CONTROL (S/P)
14	8559419	CORD, POWER (INCLUDES ITEM 15)
15	285777	STRAIN RELIEF, POWER CORD (S/P)
16	8314852	CAP, END (L.H.) (BISCUIT) (S/P)
16	279962	CAP, END (L.H.) (WHITE)
17	8541667	CLAMP, HOSE (S/P)
18	285805	VALVE, WATER MIXING
19	8541668	CLAMP, HOSE (S/P)
20	8318046	CLIP, CAPACITOR (S/P)
21	596669	CLAMP, HOSE (S/P)
22	3357328	HOSE, VACUUM BREAK
23	596669	CLAMP, HOSE (S/P)
24	3360677	BREAK, VACUUM
25	3367669	EDGE PROTECTOR (S/P)
26	*****	(LEFT HALF) DESCONTINUADO
26	8541669	BUCKET, DRAIN HOSE (S/P)
27	8541658	BUCKET, DRAIN HOSE (S/P)
27	*****	(RIGHT HALF) DESCONTINUADO
28	8572717	CAPACITOR, MOTOR START (S/P)
29	8519200	SUPPORT, REAR PANEL
30	616099	CLAMP, HOSE (S/P)

31	285655	CLAMP, HOSE (S/P)
32	285871	HOSE, PUMP TO TUB
33	8055003	CLIP, HARNESS & PRESSURE HOSE (S/P)
34	8317975	RETAINER, HARNESS (S/P)
35	661612	SWITCH, WATER TEMPERATURE
36	3400818	SCREW, TIMER MOUNTING (S/P)
37	8577378	U-BEND, DRAIN HOSE (S/P)
38	8536939	CLIP, KNOB (S/P)
39	8539639	PANEL, CONSOLE (WHITE) (S/P)
39	8539640	PANEL, CONSOLE (BISCUIT) (S/P)
41	357572	CLIP, GROUNDING (S/P)
42	3395559	WIRE, GROUND (S/P)
43	3347868	CABLE TIE (S/P)
44	8544943	KNOB, TIMER (WHITE) (S/P)
44	8544944	KNOB, TIMER (BISCUIT) (S/P)
45	8544947	DIAL, TIMER (WHITE) (S/P)
45	8544948	DIAL, TIMER (BISCUIT) (S/P)
47	8544935	KNOB, CONTROL (WHITE) (S/P)
47	8544936	KNOB, CONTROL (BISCUIT) (S/P)
49	388326	SCREW, 8-18 X 1.25 (PANEL TO TOP) (S/P)
50	62863	SCREW, 10-16 X 3/8 (S/P)
51	279962	CAP, END (R.H.) (WHITE)
51	8314851	CAP, END (R.H.) (BISCUIT) (S/P)
52	8314879	SHIELD, INLET VALVE (S/P)
53	3956733	WIRING HARNESS (S/P)

**7MLSR7232PQ1 TINAS**





## 7MLSR7232PQ1 TINAS

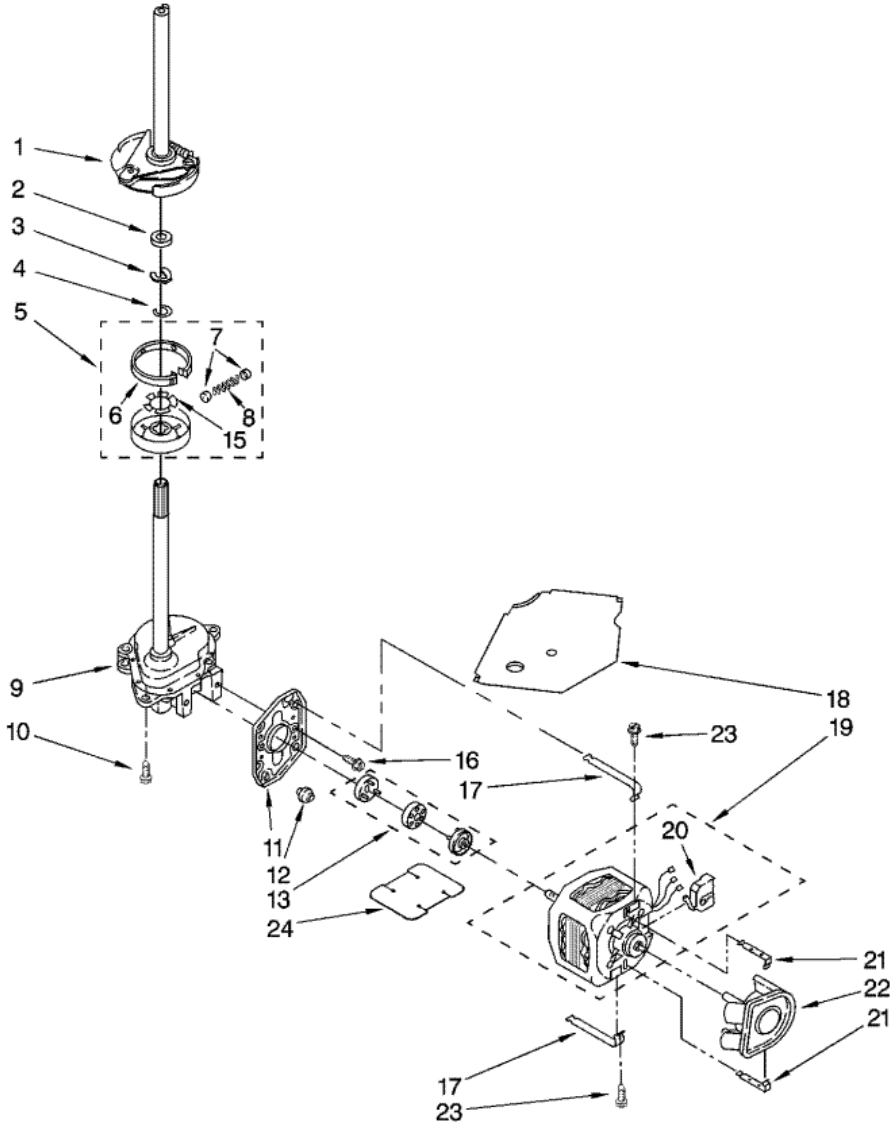
1	3355758	CAP, AGITATOR <b>DESCONTINUADO</b>
2	358237	SCREW & WASHER (5/16-24 X 1)
3	3348752	CLOTHES MOVER
4	3347288	AGITATOR
5	8528150	TUB RING & GASKET <b>(S/P)</b>
6	3976308	GASKET, TUB RING
9	285811	CAM, DRIVEN
10	285770	DOG, AGITATOR CLUTCH (4)
11	3363661	BEARING-DRIVEN CAM <b>(S/P)</b>
12	21366	NUT, SPANNER
13	8526017	BASKET & BALANCE RING <b>(S/P)</b>
14	2219077	CLIP, PRESSURE SWITCH HOSE <b>(S/P)</b>
15	387240	BALANCE RING <b>(S/P)</b>
16	63849	TUB <b>(S/P)</b>
17	389140	BLOCK, BASKET DRIVE
18	383727	GASKET, CENTERPOST
19	353244	HOSE, PRESSURE SWITCH
20	285565	AGITATOR (COMPLETE) <b>(S/P)</b>
22	285587	SPACER, THRUST
23	285551	CAP, BARRIER
24	3348855	SEAL, INNER CAP
26	3949550	WASHER <b>(S/P)</b>

Distribuidor Autorizado

SurteRápido.com

Venta de Refacciones  
Electrodomesticas

## 7MLSR7232PQ1 MOTOR







## 7MLSR7232PQ1 MOTOR

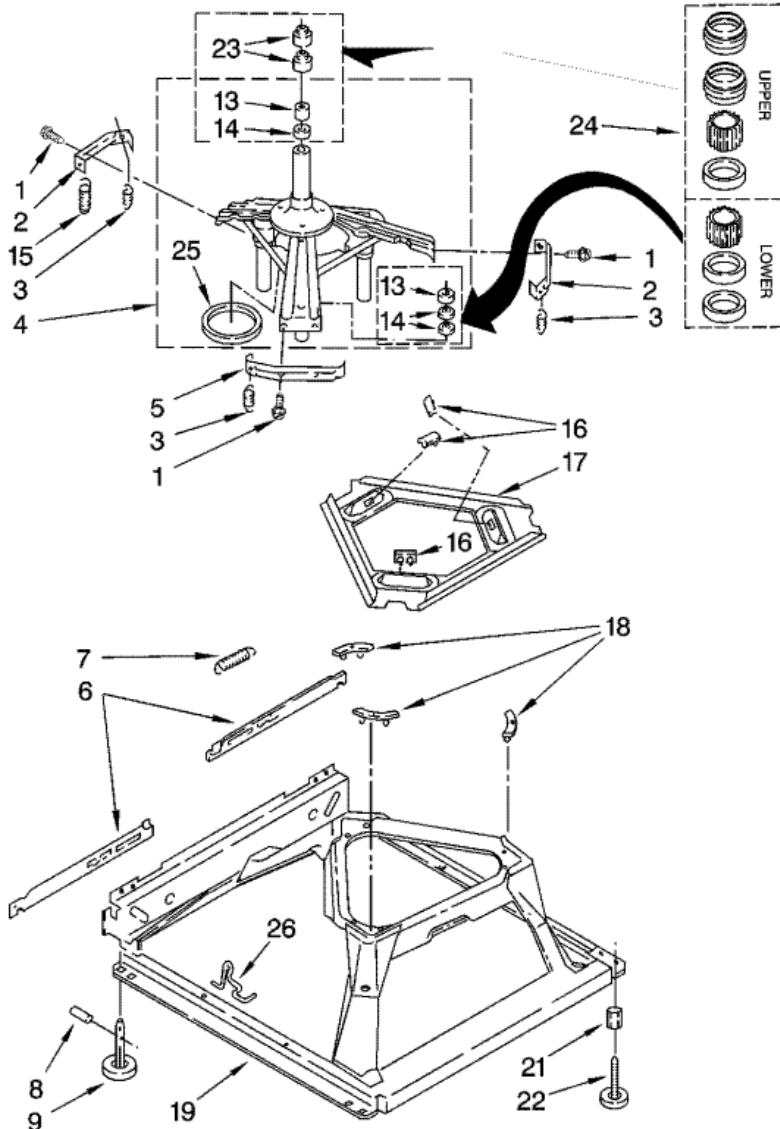
1	285792	BRAKE & DRIVE TUBE (COMPLETE)
2	63292	WASHER, SPIN TUBE THRUST
3	62697	RING, SPIN TUBE SUPPORT
4	285353	RING, RETAINER
5	285785	CLUTCH (COMPLETE)
6	285790	BAND & LINING, CLUTCH (INCLUDES ILLUS. 7 & 8)
7	62646	CAP, CLUTCH SPRING (2) <b>(S/P)</b>
8	3946792	SPRING, CLUTCH <b>(S/P)</b>
9	3360629	GEARCASE (COMPLETE)
10	3357334	SCREW, GEARCASE TO BASE (3) <b>(S/P)</b>
11	62611	PLATE, MOTOR MOUNT TO GEARCASE <b>(S/P)</b>
12	62691	GROMMET, MOTOR (4)
13	285753	COUPLING, MOTOR & ISOLATION
15	3355454	CLIP, ANTI-RATTLE <b>(S/P)</b>
16	3400516	SCREW <b>(S/P)</b>
17	3349637	RETAINER, MOTOR (2)
18	3362089	SHIELD, TUB TO MOTOR <b>(S/P)</b>
19	389248	MOTOR, MAIN DRIVE
20	3952056	SWITCH, MAIN DRIVE MOTOR <b>(S/P)</b>
21	62700	RETAINER, PUMP (2)
22	3363394	PUMP (COMPLETE)
23	3387485	SCREW, 10-16 X 5/8 <b>(S/P)</b>
24	8316060	SHIELD, MOTOR <b>(S/P)</b>

Distribuidor Autorizado

SurteRápido.com

Venta de Refacciones  
Electrodomesticas

## 7MLSR7232PQ1 BASE

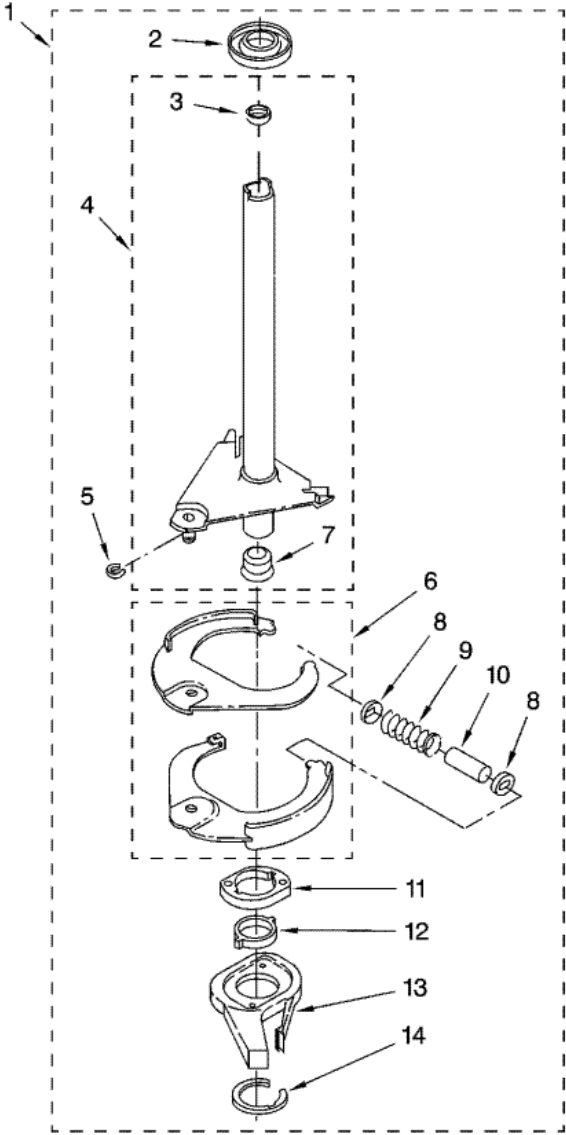




## 7MLSR7232PQ1 BASE

1	3400076	SCREW, BRACKET MOUNTING (10-32 X 5/8) <b>(S/P)</b>
2	64067	BRACKET, SPRING OUTER (2)
3	63907	SPRING SUSPENSION,(3)
4	280184	SUPPORT & BRAKE, TUB <b>(S/P)</b>
5	64065	BRACKET, SPRING OUTER (L.F.) <b>(S/P)</b>
6	63466	LINK, LEVELING MECHANISM (2) <b>(S/P)</b>
7	8316845	SPRING, LEVELING MECHANISM
8	62837	PIN, KNURLED <b>(S/P)</b>
9	285244	FOOT, REAR (2)
13	8546455	BEARING, CENTERPOST (2) <b>(S/P)</b>
14	359449	SEAL, CENTERPOST (3)
15	388492	SPRING, COUNTERWEIGHT
16	285219	PAD, PLATE
17	3946509	PLATE, SUSPENSION (INCLUDES ILLUS. 16) <b>(S/P)</b>
18	285744	PAD, BASE
19	285771	BASE ASSEMBLY <b>(S/P)</b>
21	3359452	NUT, LOCK (2) (3/8-16) <b>(S/P)</b>
22	389102	FOOT, FRONT (2)
23	91938	SEAL, CENTERPOST (2)
24	285203	CENTERPOST BEARING KIT
25	63134	RING, SOUND DEADENING
26	63806	RETAINER, SUSPENSION SPRING

**7MLSR7232PQ1 FLECHA HUECA**





## 7MLSR7232PQ1 FLECHA HUECA

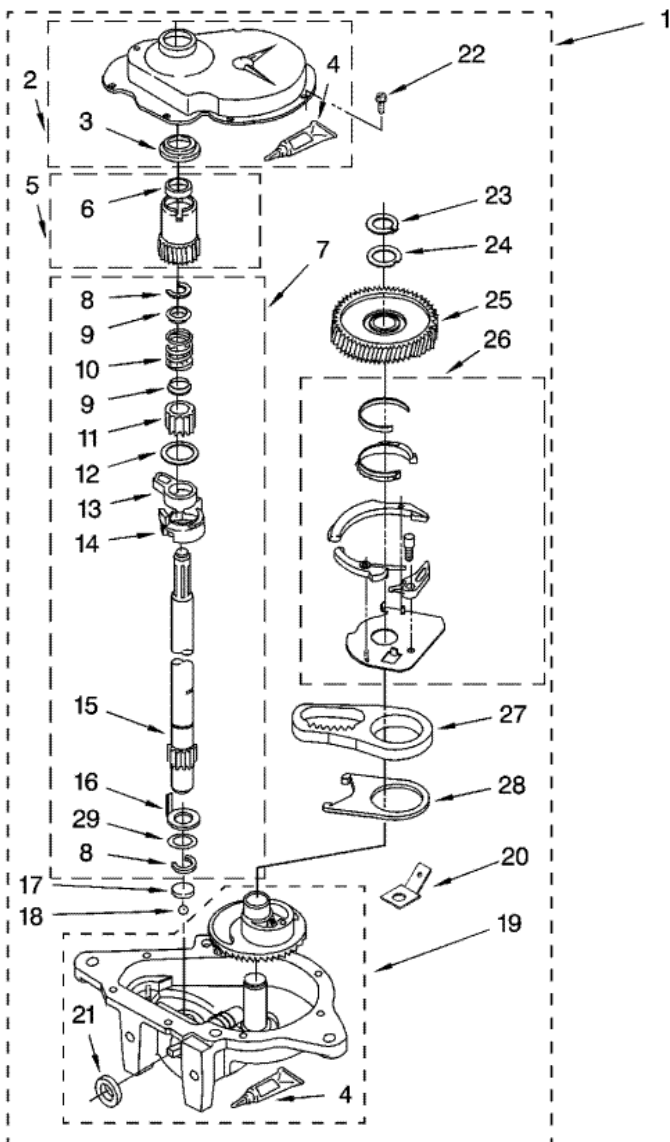
1	285792	BRAKE AND DRIVE TUBE (COMPLETE)
2	62658	RING, THRUST
3	356427	SEAL, DRIVE TUBE
4	64208	TUBE, BASKET DRIVE (INCLUDES ILLUS. 3, 4, 5 & 9)
5	64035	RING, RETAINING <b>(S/P)</b>
6	285438	SHOE, BRAKE (2)
7	62703	``T`` BEARING, SPIN TUBE
8	285658	CAP, BRAKE SPRING (2) <b>(S/P)</b>
9	387806	SPRING, BRAKE
10	285658	SLEEVE, BRAKE SPRING <b>(S/P)</b>
11	661516	CAM, BRAKE RELEASE
12	63022	SLEEVE, CAM <b>DESCONTINUADO</b>
13	64194	DRIVER, BRAKE CAM
14	285208	LUBRICANT <b>(S/P)</b>
14	90368	RING, RETAINING

Distribuidor Autorizado

SurteRápido.com

Venta de Refacciones  
Electrodomesticas

# 7MLSR7232PQ1 TRANSMISION

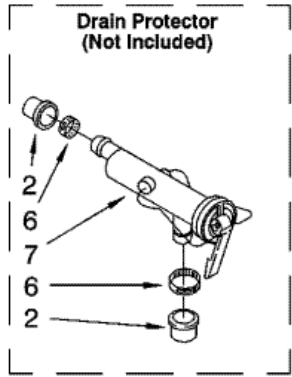
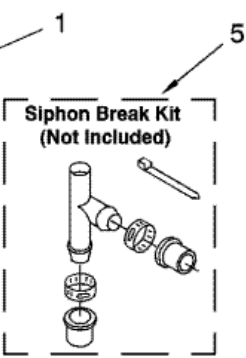
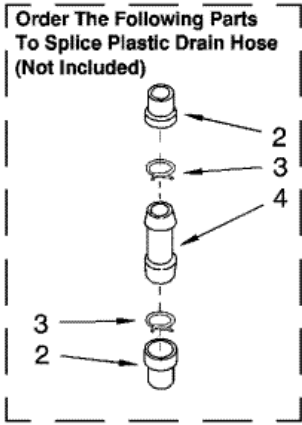




## 7MLSR7232PQ1 TRANSMISION

1	3360629	GEARCASE (COMPLETE)
2	285202	COVER, GEARCASE <b>(S/P)</b>
3	3349985	SEAL, GEARCASE COVER
4	285195	SEALER, GASKET (.20 FL. OZ.) (6 ML) <b>(S/P)</b>
5	285362	PINION, SPIN (INCLUDES ILLUS. 25)
6	356427	SEAL, SPIN PINION
7	389387	SHAFT, AGITATOR (COMPLETE) <b>(S/P)</b>
8	90369	RING, RETAINING (2)
9	62677	RETAINER, SPRING (2)
10	62676	SPRING, AGITATE <b>(S/P)</b>
11	285509	GEAR, AGITATE <b>DESCONTINUADO</b>
12	62619	WASHER, AGITATE GEAR <b>(S/P)</b>
13	285206	CAM FOLLOWER (INCLUDES 14)
14	285206	CAM, AGITATE (INCLUDES 13)
15	285509	SHAFT, AGITATOR <b>DESCONTINUADO</b>
16	62618	WASHER, CAM THRUST
17	285205	BEARING, THRUST (INCLUDES 18)
18	285205	BALL, BEARING (INCLUDES 17)
19	285515	BOTTOM AND PINION, GEARCASE <b>(S/P)</b>
20	3949116	BLOCK TAB, TERMINAL <b>(S/P)</b>
21	285352	SEAL, THRUST PLUG
22	3351614	SCREW, GEARCASE COVER MOUNTING <b>(S/P)</b>
23	285765	RING, RETAINING
24	285735	WASHER KIT, THRUST <b>(S/P)</b>
25	285362	GEAR, SPIN
26	388253	NEUTRAL ASSEMBLY
27	3949609	RACK, CONNECTING
28	62621	ACTUATOR, SHIFT
29	388815	WASHER, INTERMEDIATE <b>(S/P)</b>

**7MLSR7232PQ1 SISTEMA AGUA**







## 7MLSR7232PQ1 SISTEMA AGUA

1	285442	CONNECTOR KIT, PLASTIC DRAIN HOSE (S/P)
2	285321	SLEEVE KIT, (CONTAINS 2 SLEEVES) (S/P)
3	285655	CLAMP, HOSE (S/P)
4	16272	CONNECTOR, STRAIGHT (S/P)
5	285320	SIPHON BREAK KIT (NOT INCLUDED) (S/P)
6	285655	CLAMP, HOSE (S/P)
7	367031	DRAIN PROTECTOR (NOT INCLUDED) (S/P)