

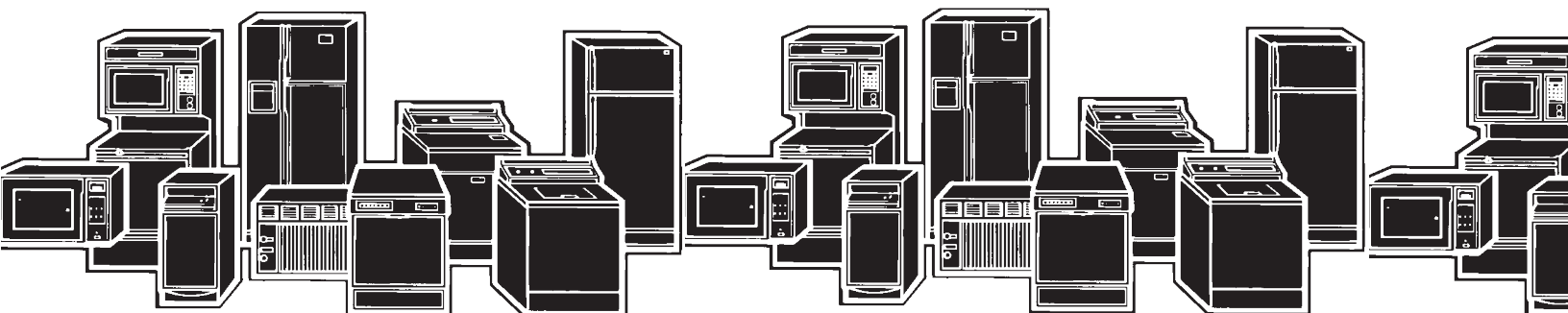


EXPLOSIONADO DE PARTES



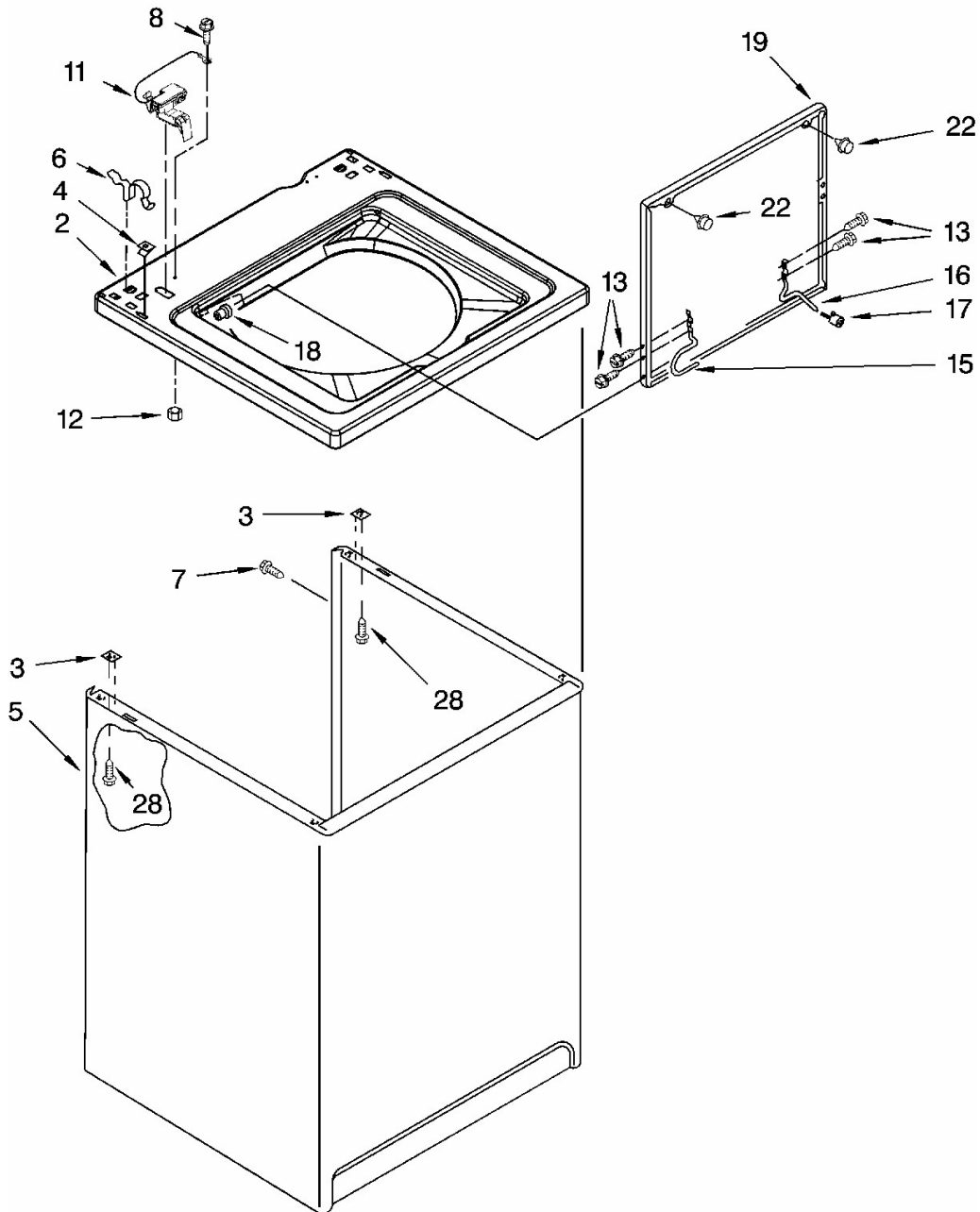
Lavadoras de importación

**Modelo:
7MLSR7232PT0**



LAVADORA 7MLSR7232PT0

arca	Whirlpool
Capacidad	11 Kg
Color	Biscuit
TOP AND CABINET	



Nota: La imagen mostrada en este explosionado puede no ser idéntica a la pieza real del aparato, mas sin embargo el número de parte mostrado en el listado corresponde a la pieza real del aparato.

LAVADORA 7MLSR7232PT0

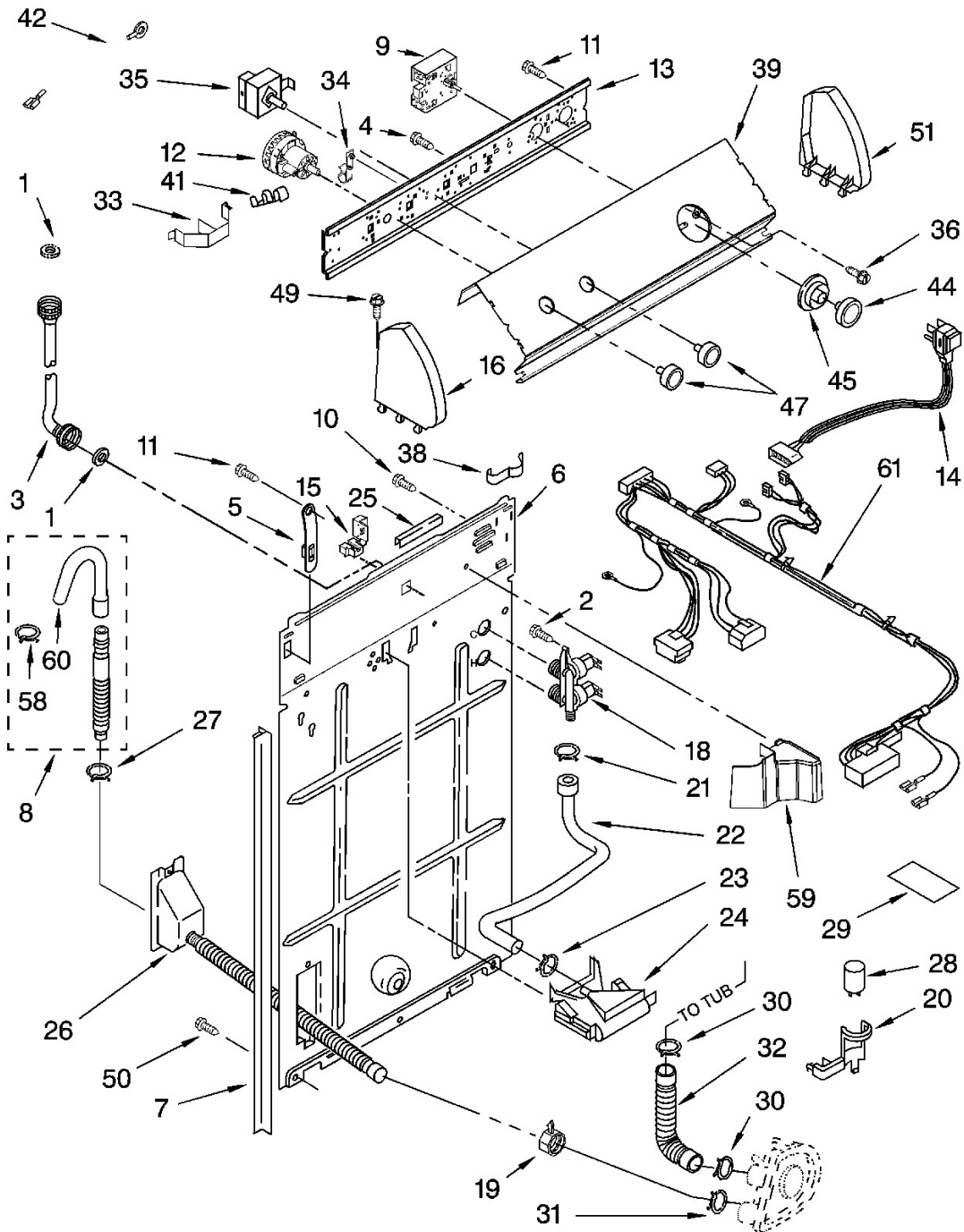
marca		Whirlpool	
Capacidad		11 Kg	
Color		Biscuit	
R e f	Descripción	C a n t	Numero de Parte
TOP AND CABINET			
2	Top (White)	*	8318068
	Top (Biscuit)	1	8318066
3	Spacer, Cabinet To Top (4)	4	62750
4	Nut, Push-In (2)	2	357213
5	Cabinet (White)	*	63424
	Cabinet (Biscuit)	1	3954357
6	Clip, Top & Cabinet & Rear Panel (2)	2	62780
7	Screw, 10-16 x 1/2	1	308685
8	Screw, Ground	1	3351614
11	Switch, Lid	1	8318084
12	Nut, Hex	1	680762
13	Screw, Lid Hinge Mounting (4)	4	355274
15	Hinge, Lid (L.H.)	1	8318088
16	Hinge, Lid (R.H.)	1	54583
17	Bumper, Lid Hinge	1	19119
18	Bearing, Lid Hinge (2)	2	21258
19	Lid (White)	*	8557513
	Lid (Biscuit)	1	8557514
22	Bumper, Lid (2)	2	9724509
28	Screw, 10-16 x 3/8	1	9420601

LAVADORA 7MLSR7232PT0

arca
Capacidad
Color

Whirlpool
11 Kg
Biscuit

CONTROLS AND REAR PANEL



Nota: La imagen mostrada en este explosionado puede no ser idéntica a la pieza real del aparato, mas sin embargo el número de parte mostrado en el listado corresponde a la pieza real del aparato.

LAVADORA 7MLSR7232PT0

Arca		Whirlpool	
Capacidad		11 Kg	
Color		Biscuit	
Ref	Descripción	Cant	Numero de Parte
CONTROLS AND REAR PANEL			
1	Washer, Water Inlet Hose (4) (1-1/16 x 5/8)	4	16123
2	Screw, 8-18 x 1/2	1	9740848
3	Hose, Water Inlet (2) (Blue Coupler)	2	89503
	Hose, Water Inlet (2) (Red Coupler)	2	89503
4	Screw, Ground	1	3179795
5	Strap, Console (2)	2	8318255
6	Panel, Rear	1	8318405
7	Pad, Rear Panel	1	62747
8	Hose, Drain (4 Ft.)	1	285664
	Hose, Drain (9 Ft.) (Not Included)	1	285666
	Extension Drain-Hose (21 Inches) (Not Included)	1	285702
9	Timer, Control (60 Hz.) (Motor Not A Service Part)	1	3953146
10	Screw, Ground	1	3351614
11	Screw, 8-18 x 3/8	1	90767
12	Switch, Water Level	1	3366849
13	Bracket, Control	1	8544893
14	Cord, Power (Includes Item 15)	1	8532158
15	Strain Relief, Power Cord	1	285777
16	Cap, End (L.H.) (White)	*	279962
	Cap, End (L.H.) (Biscuit)	1	8314852
18	Valve, Water Mixing	1	285805
19	Clamp, Hose	1	3976395
20	Clip, Capacitor	1	8318046
21	Clamp, Hose	1	596669
22	Hose, Vacuum Break	1	8317926
23	Clamp, Hose	1	596669
24	Break, Vacuum	1	3360977
25	Edge Protector	1	3367669
26	Drain Hose Assembly	1	8317940
27	Clamp, Hose	1	356138
28	Capacitor, Motor Start	1	661606
29	Shield, Capacitor	1	3976286
30	Clamp, Hose	1	616099
31	Clamp, Hose	1	285655
32	Hose, Pump To Tub	1	285871
33	Clip, Harness & Pressure Hose	1	8055003
34	Retainer, Harness	1	8317975
35	Switch, Water Temperature	1	661612
36	Screw, Timer Mounting	1	3400818
38	Clip, Harness	1	8528351
39	Panel, Console (White)	*	8531976
	Panel, Console (Biscuit)	1	8539640

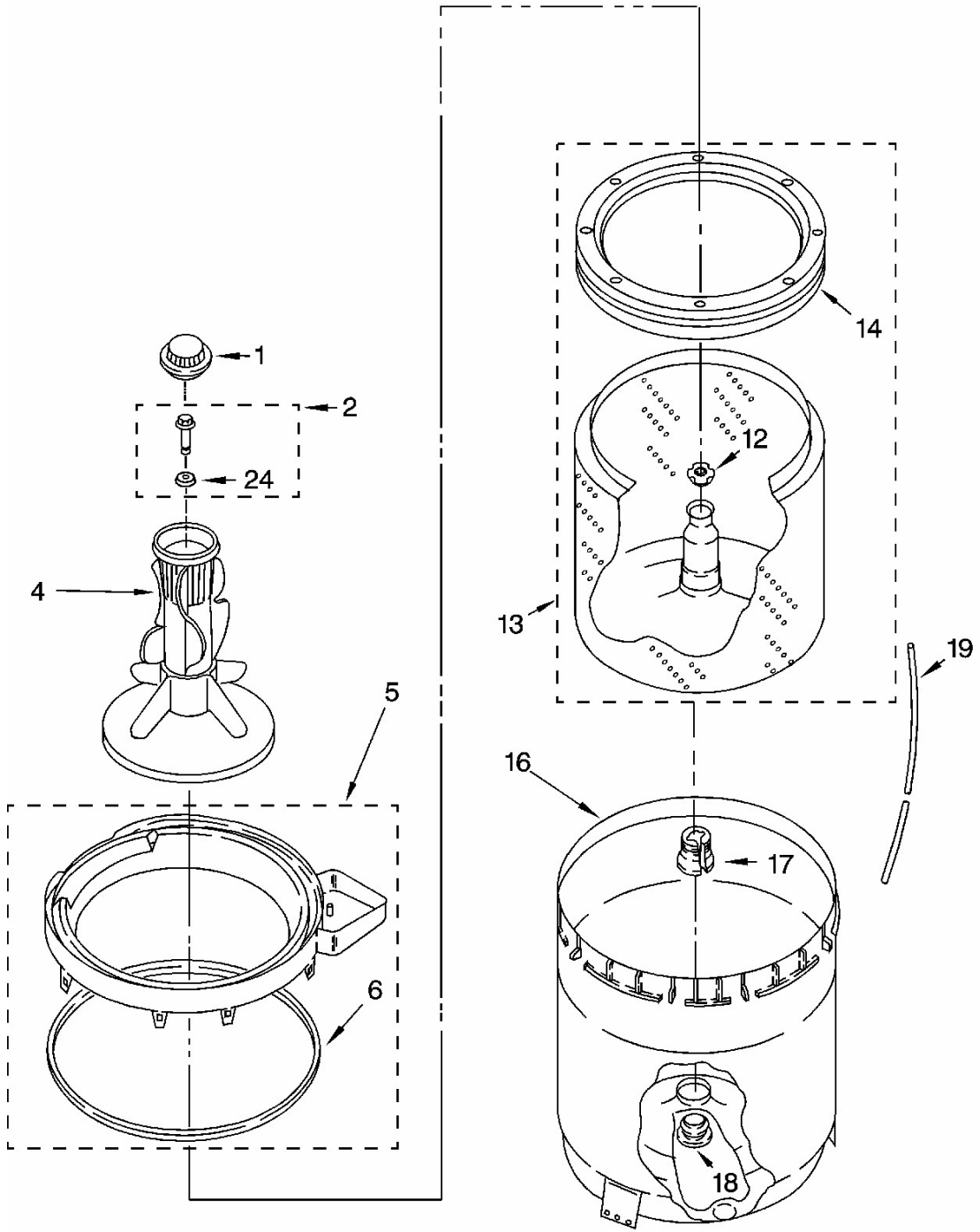
LAVADORA 7MLSR7232PT0

Marca		Whirlpool	
Capacidad		11 Kg	
Color		Biscuit	
R e f	Descripción	C a n t	Numero de Parte
CONTROLS AND REAR PANEL			
41	Clip, Grounding	1	357572
42	Wire, Ground	1	3395559
44	Knob, Timer (White)	*	8271345
	Knob, Timer (Biscuit)	1	8544944
45	Dial, Timer (White)	*	8271351
	Dial, Timer (Biscuit)	1	8544948
47	Knob, Control (White)	*	8271339
	Knob, Control (Biscuit)	1	8544936
	Spring Clip Knob	1	8536939
49	Screw, 8-18 x 1.25 (Panel to Top)	1	388326
50	Screw, 10-16 x 3/8	1	9420601
51	Cap, End (R.H.) (White)	*	279962
	Cap, End (R.H.) (Biscuit)	1	8314851
58	Clamp, Drain Hose	1	3357331
59	Shield, Inlet Valve	1	8314879
60	Nozzle-Drain Hose	1	3357027
61	Wiring Harness (For Detail See Pages 9 & 10)	1	3956733

LAVADORA 7MLSR7232PT0

arca	Whirlpool
Capacidad	11 Kg
Color	Biscuit

AGITATOR, BASKET AND TUBE



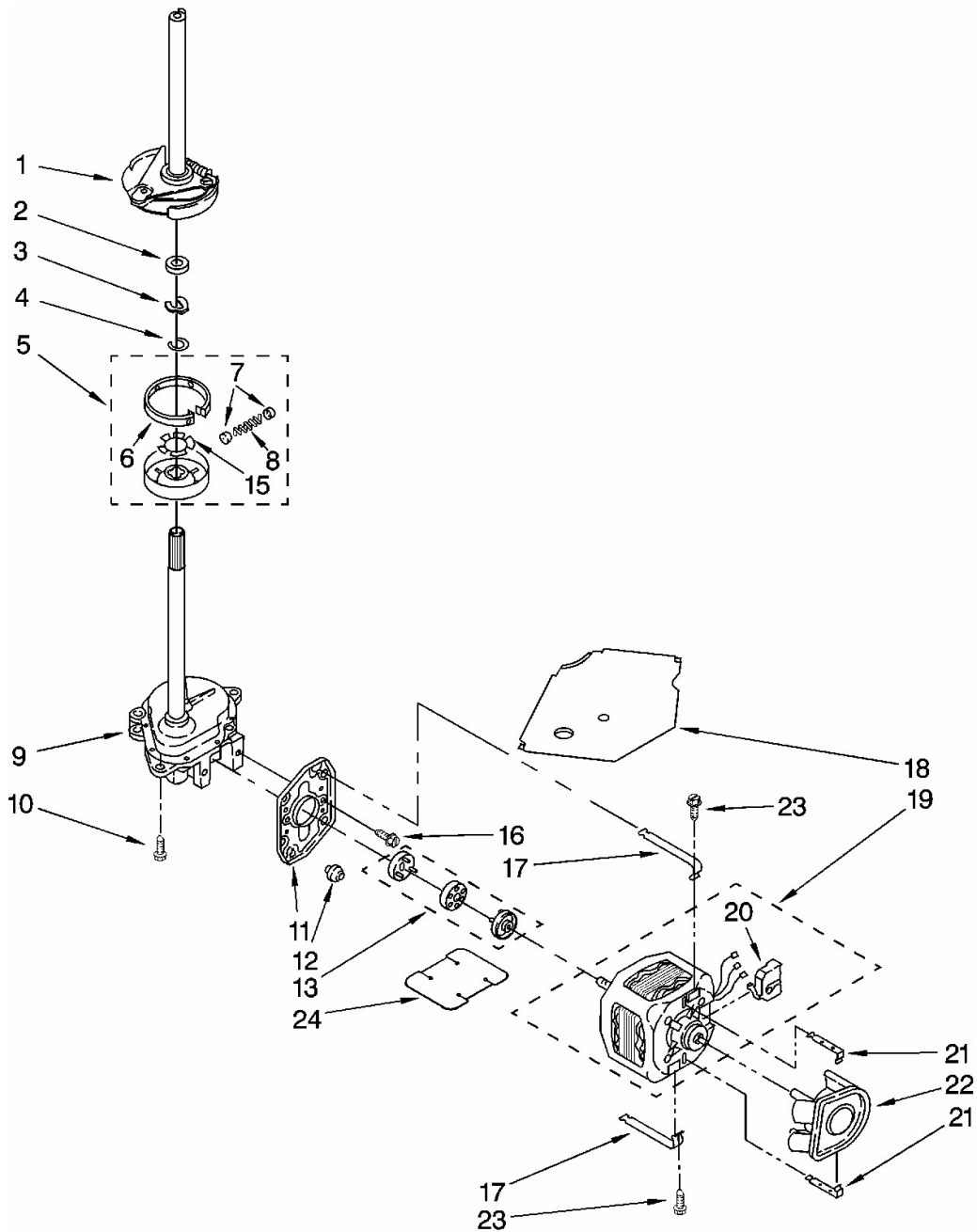
Nota: La imagen mostrada en este explosionado puede no ser idéntica a la pieza real del aparato, mas sin embargo el número de parte mostrado en el listado corresponde a la pieza real del aparato.

LAVADORA 7MLSR7232PT0

marca		Whirlpool	
Capacidad		11 Kg	
Color		Biscuit	
R e f	Descripción	C a n t	Numero de Parte
AGITATOR, BASKET AND TUBE			
1	Cap, Agitator	1	3355758
2	Screw & Washer (5/16-24 x 1)	1	285009
4	Agitator	1	63235
5	Tub Ring & Gasket	1	8528150
6	Gasket, Tub Ring	1	3976308
12	Nut, Spanner	1	21366
13	Basket & Balance Ring	1	8526017
14	Balance Ring	1	8519788
16	Tub	1	63849
17	Block, Basket Drive	1	389140
18	Gasket, Centerpost	1	383727
19	Hose, Pressure Switch	1	353244
24	Washer	1	3949550

LAVADORA 7MLSR7232PT0

arca	Whirlpool
Capacidad	11 Kg
Color	Biscuit
BRAKE, CLUTCH, GEARCASE, MOTOR AND PUMP	



Nota: La imagen mostrada en este explosionado puede no ser idéntica a la pieza real del aparato, mas sin embargo el número de parte mostrado en el listado corresponde a la pieza real del aparato.

LAVADORA 7MLSR7232PT0

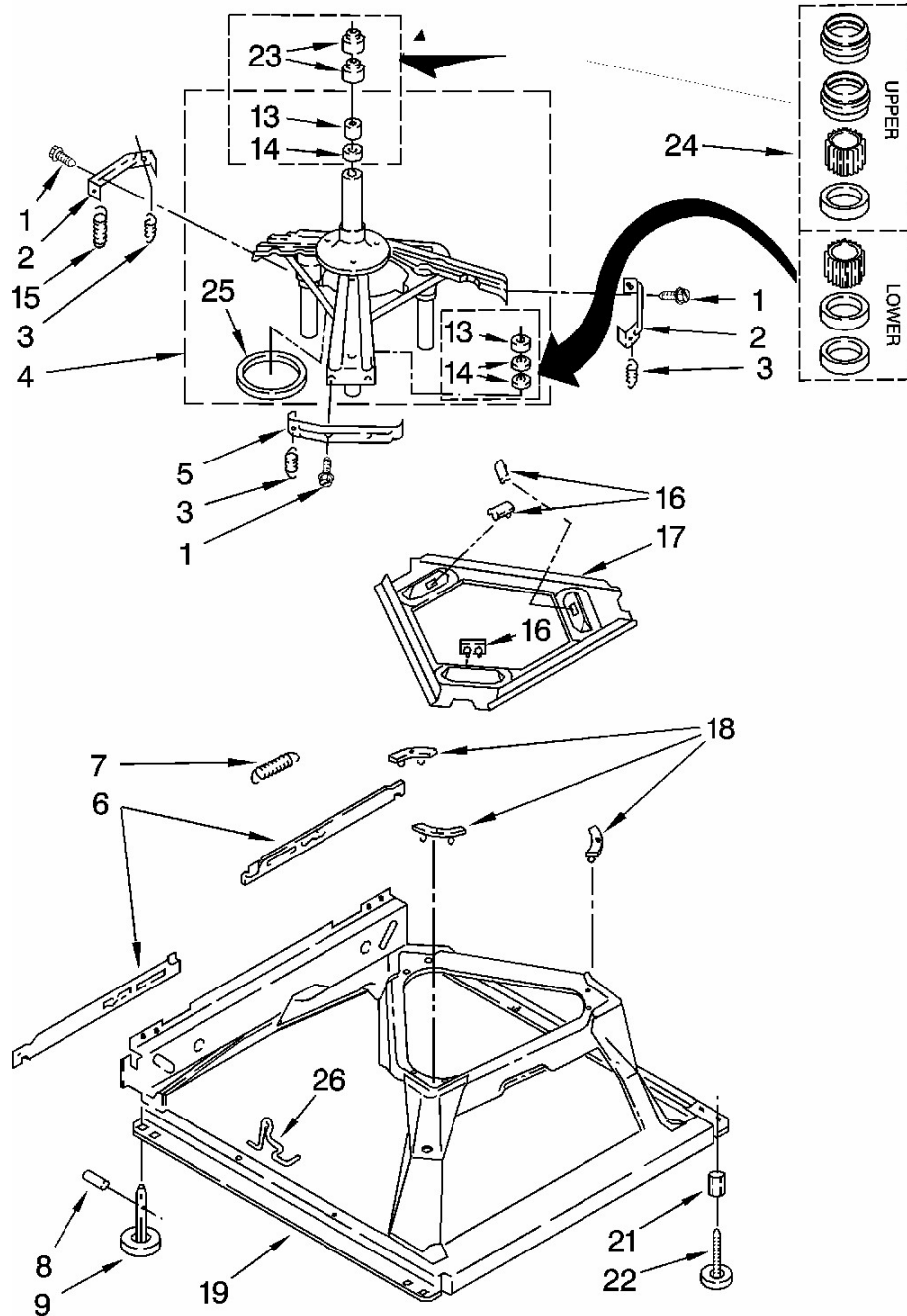
Marca		Whirlpool	
Capacidad		11 Kg	
Color		Biscuit	
R e f	Descripción	C a n t	Numero de Parte
BRAKE, CLUTCH, GEARCASE, MOTOR AND PUMP			
1	Brake & Drive Tube (Complete) (Refer to Page 11 For Further Break	1	285792
2	Washer, Spin Tube Thrust	1	63292
3	Ring, Spin Tube Support	1	62697
4	Ring, Retainer	1	285353
5	Clutch (Complete)	1	285785
6	Band & Lining, Clutch (Includes Illus. 7 & 8)	1	285790
7	Cap, Clutch Spring (2)	2	62646
8	Spring, Clutch	1	3946792
9	Gearcase (Complete) (Refer To Page 12 For Further Breakdown)	1	8532118
10	Screw, Gearcase To Base (3)	3	3400516
11	Plate, Motor Mount To Gearcase	1	62611
12	Grommet, Motor (4)	4	62691
13	Coupling, Motor & Isolation	1	285753
15	Clip, Anti-Rattle	1	3355454
16	Screw	1	3400516
17	Retainer, Motor (2)	2	3349637
18	Shield, Tub To Motor	1	3362316
19	Motor, Main Drive	1	389248
20	Switch, Main Drive Motor	1	3952056
21	Retainer, Pump (2)	2	8546127
22	Pump (Complete)	1	3363394
23	Screw, 10-16 x 5/8	1	273556
24	Shield, Motor	1	3946532

LAVADORA 7MLSR7232PT0

arca
Capacidad
Color

Whirlpool
11 Kg
Biscuit

MACHINE BASE



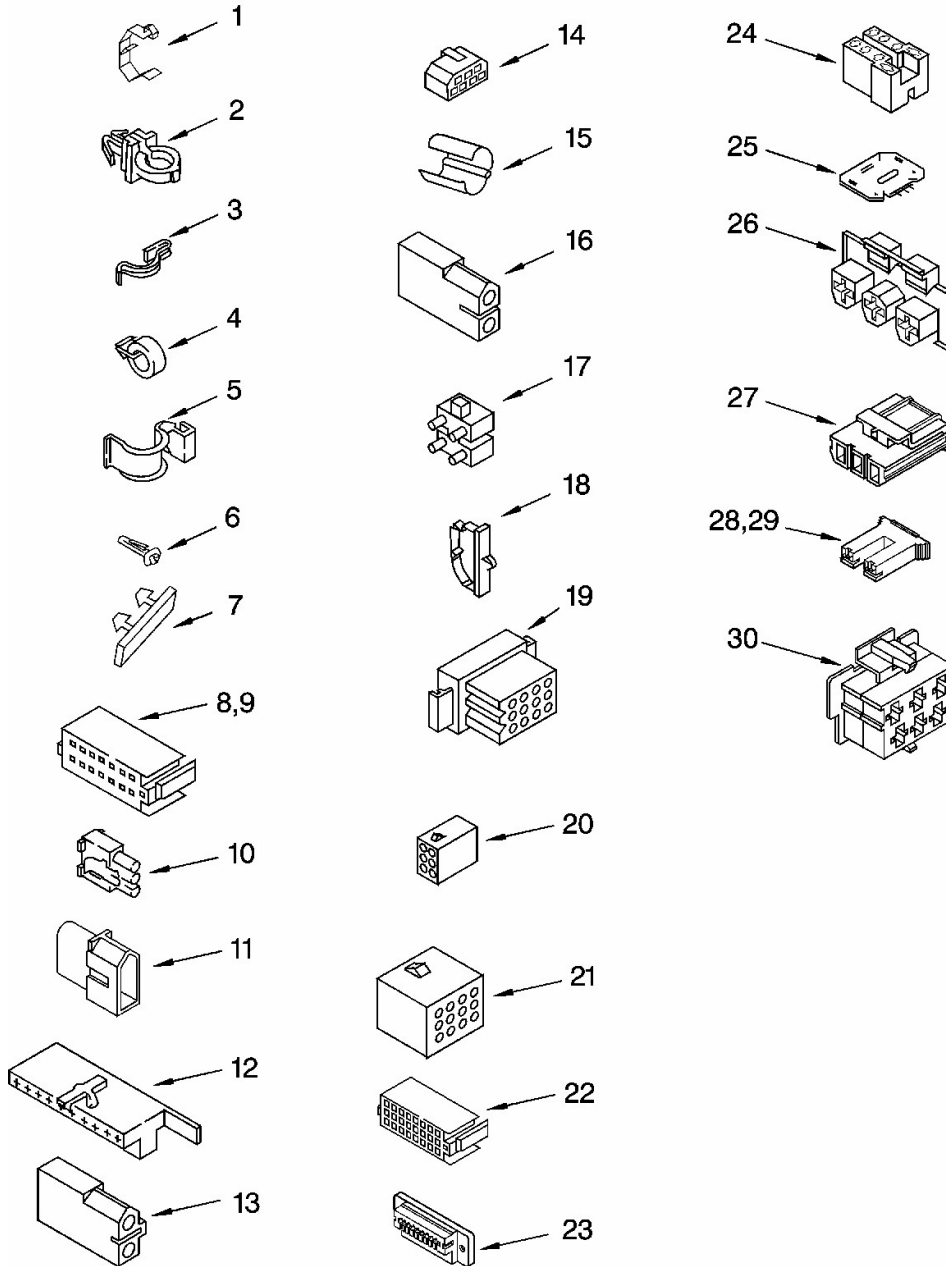
Nota: La imagen mostrada en este explosionado puede no ser idéntica a la pieza real del aparato, mas sin embargo el número de parte mostrado en el listado corresponde a la pieza real del aparato.

LAVADORA 7MLSR7232PT0

marca		Whirlpool	
Capacidad		11 Kg	
Color		Biscuit	
R e f	Descripción	C a n t	Numero de Parte
MACHINE BASE			
1	Screw, Bracket Mounting (10-32 x 5/8)	1	3400076
2	Bracket, Spring Outer (2)	2	64067
3	Spring Suspension,(3)	3	63907
4	Support & Brake, Tub	1	3362087
5	Bracket, Spring Outer (L.F.)	1	64065
6	Link, Leveling Mechanism (2)	2	63466
7	Spring, Leveling Mechanism	1	8316845
8	Pin, Knurled	1	62837
9	Foot, Rear (2)	2	285244
13	Bearing, Centerpost (2)	2	359398
14	Seal, Centerpost (3)	3	359449
15	Spring, Counterweight	1	388492
16	Pad, Plate	1	285219
17	Plate, Suspension (Includes Illus. 16)	1	3946509
18	Pad, Base	1	285744
19	Base Assembly (Includes Illus. 6, 7, 8, 9, 16, 17 18 & 26)	1	285771
21	Nut, Lock (3/8-16) (2)	2	3359452
22	Foot, Front (2)	2	389102
23	Seal, Centerpost (2)	2	356934
24	Centerpost Bearing Kit (Includes Illus. 13, 14 & 23)	1	285203
25	Ring, Sound Deadening	1	63134
26	Retainer, Suspension Spring	1	63806

LAVADORA 7MLSR7232PT0

arca	Whirlpool
Capacidad	11 Kg
Color	Biscuit
WIRING HARNESS	



Nota: La imagen mostrada en este explosionado puede no ser idéntica a la pieza real del aparato, mas sin embargo el número de parte mostrado en el listado corresponde a la pieza real del aparato.

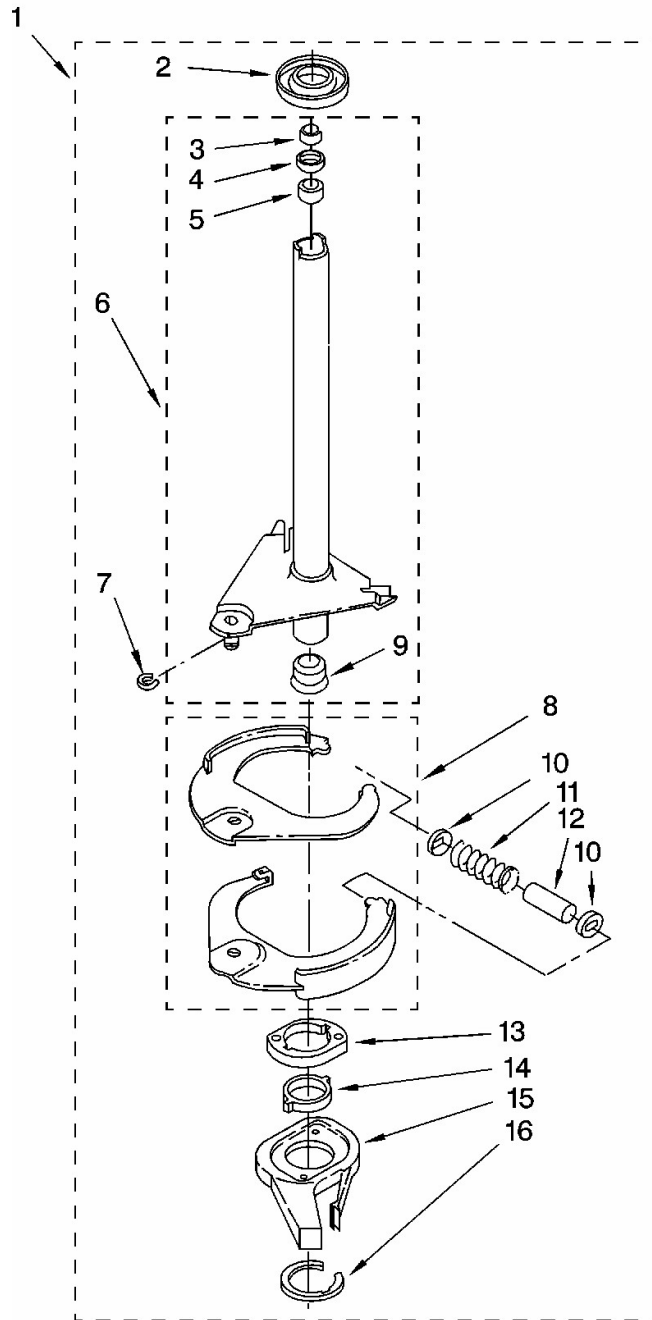
LAVADORA 7MLSR7232PT0

marca		Whirlpool	
Capacidad		11 Kg	
Color		Biscuit	
R e f	Descripción	C a n t	Numero de Parte
WIRING HARNESS			
1	Clip, Harness	1	3349557
2	Clip, Harness	1	388498
3	Clip, Harness	1	8528351
4	Clip, Harness	1	3348535
5	Clip, Harness	1	90016
6	Clip, Harness	1	8281256
7	Retainer, (Suds Models)	1	389379
8	Timer, Block Disconnect (White)	1	352090
9	Timer, Block Disconnect (Black)	1	352089
10	Receptacle, Terminal (3-Way) (Lid Switch) (Use Term.94613) Or 94	1	62889
11	Plug, Terminal (3-Way) (Power Cord) (Use Term.94613)	1	353424
12	Block, Disconnect (Motor 2 Speed) (Use Term.352088)	1	62505
13	Block, Disconnect (Motor 3 Speed) (Use Term. 94613 Or 94614.)	1	3348075
14	Block, Disconnect (Use Term. 352088)	1	3347243
15	Protector	1	63523
16	Connector (2-Way) (Use Term.94614)	1	717252
17	Plug, Terminal (4-Way) (Power Cord) (Use M3 Screws)	1	387566
18	Clip, Harness	1	3352944
19	Block, Disconnect (12-Way) (Timer) (Use Term. 94613)	1	3390423
20	Receptacle (6-Way) (Use Term. 94613)	1	3347730
21	Plug, Terminal (12-Way) (Use Term. 94613 Or 94614.)	1	388818
22	Timer, Block Disconnect (Black) (Amp) (Use Term.3369365)	1	3369366
23	Connector, Etc	1	3349494
24	Connector, Relay (Use Term.308569)	1	60687
25	E.T.C. Control	1	3955728
26	Connector (T.P.A.) (3-Circuit) (Lid Switch) (Use Term. 3948619 OR	1	3948617
27	Connector (T.P.A.) (3-Circuit) (Pressure Switch) (Use Term.3948619	1	3360056
28	Block, Connector (Cold Valve) (Use Term.693217)	1	3354925
29	Block, Connector (Hot Valve) (Use Term.693217)	1	3354926
30	Connector (T.P.A.) (6-Circuit) (Temp. Switch) (Use Term.3948619 O	1	3948615

LAVADORA 7MLSR7232PT0

Marca	Whirlpool
Peso	11 Kg
Color	Biscuit

BRAKE AND DRIVE TUBE



Nota: La imagen mostrada en este explosionado puede no ser idéntica a la pieza real del aparato, mas sin embargo el número de parte mostrado en el listado corresponde a la pieza real del aparato.

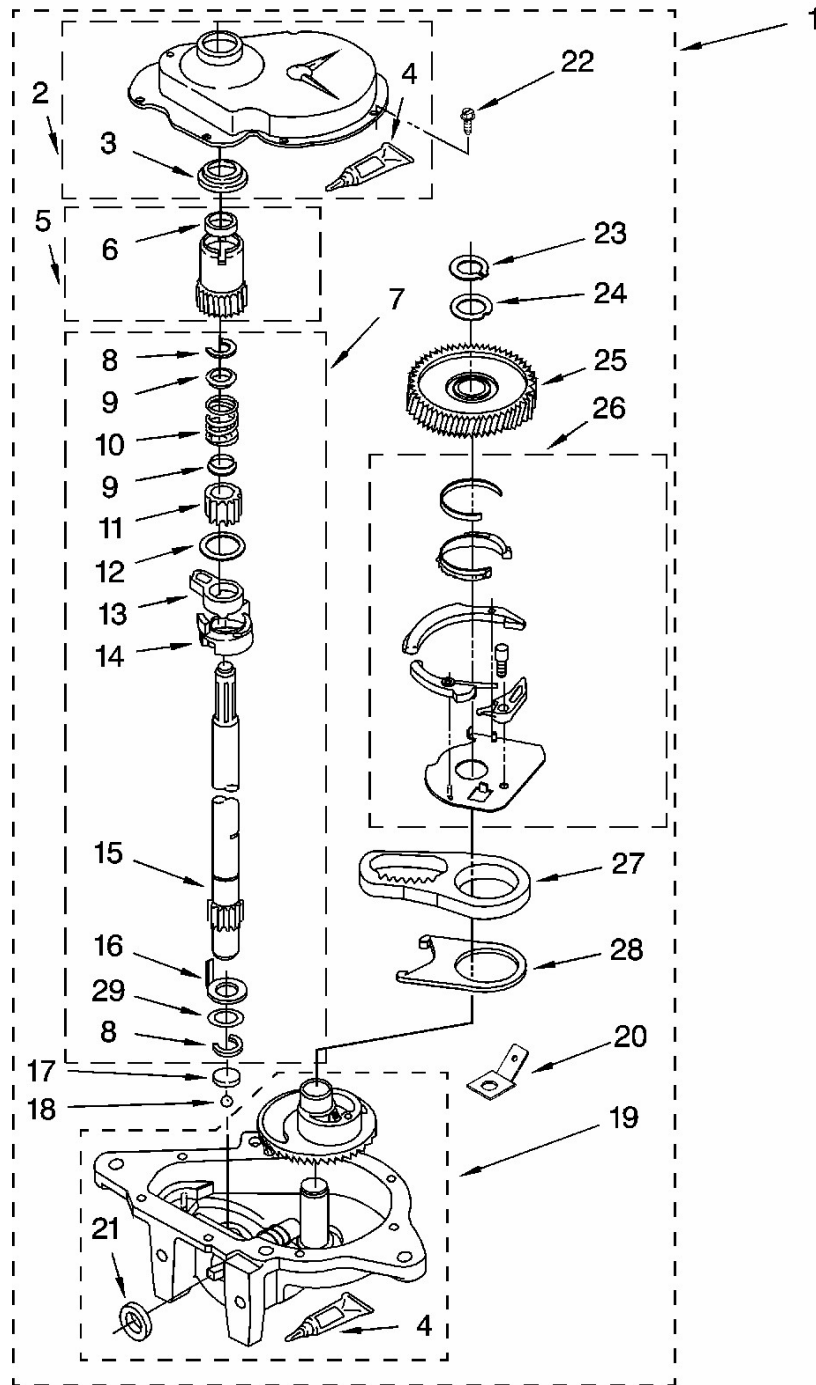
LAVADORA 7MLSR7232PT0

Marca		Whirlpool	
Capacidad		11 Kg	
Color		Biscuit	
R e f	Descripción	C a n t	Numero de Parte
BRAKE AND DRIVE TUBE			
1	Brake And Drive Tube (Complete)	1	285792
2	Ring, Thrust	1	62658
3	Seal, Oil	1	91939
4	Seal, Drive Tube	1	356427
5	Spacer, Drive Tube	1	356937
6	Tube, Basket Drive (Includes Illus. 3, 4, 5 & 9)	1	64208
7	Ring, Retaining	1	64035
8	Shoe, Brake	1	285438
9	``T`` Bearing, Spin Tube	1	62703
10	Cap, Brake Spring (2)	2	285658
11	Spring, Brake	1	387806
12	Sleeve, Brake Spring	1	285658
13	Cam, Brake Release	1	661516
14	Sleeve, Cam	1	63022
15	Driver, Brake Cam	1	285790
16	Ring, Retaining	1	90368

LAVADORA 7MLSR7232PT0

arca	Whirlpool
Capacidad	11 Kg
Color	Biscuit

GEARCASE



Nota: La imagen mostrada en este explosionado puede no ser idéntica a la pieza real del aparato, mas sin embargo el número de parte mostrado en el listado corresponde a la pieza real del aparato.

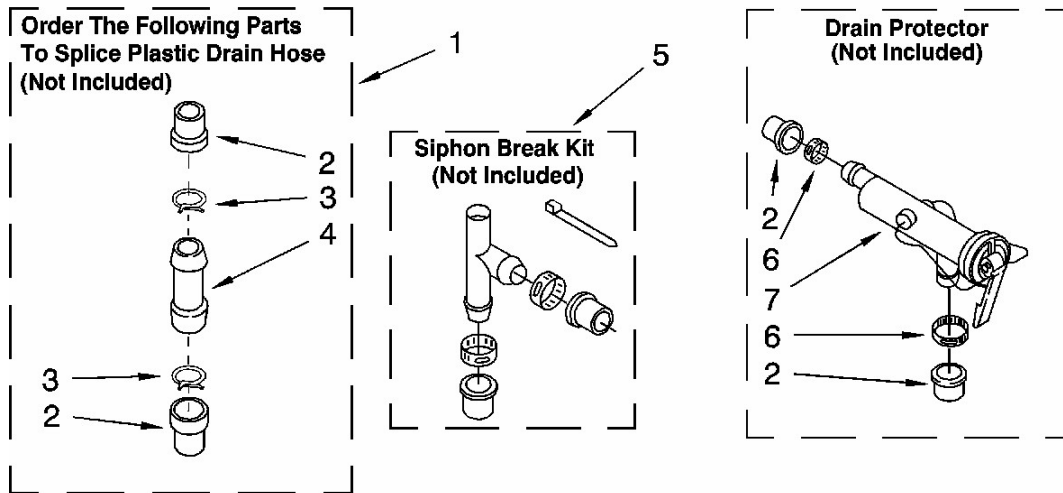
LAVADORA 7MLSR7232PT0

arca		Whirlpool	
Capacidad		11 Kg	
Color		Biscuit	
R e f	Descripción	C a n t	Numero de Parte
GEARCASE			
1	Gearcase (Complete)	1	8532118
2	Cover, Gearcase	1	285202
3	Seal, Gearcase Cover	1	3349985
4	Sealer, Gasket (.20 Fl. Oz.) (6 ml)	1	285195
5	Pinion, Spin (Includes Illus. 25)	1	285362
6	Seal, Spin Pinion	1	356427
7	Shaft, Agitator (Complete)	1	389387
8	Ring, Retaining (2)	2	90369
9	Retainer, Spring (2)	2	62677
10	Spring, Agitate	1	62676
11	Gear, Agitate (Includes 15 & 29)	1	285509
12	Washer, Agitate Gear	1	62619
13	Cam Follower (Includes 14)	1	285206
14	Cam, Agitate (Includes 13)	1	285206
15	Shaft, Agitator (Includes 11 & 29)	1	285509
16	Washer, Cam Thrust	1	62618
17	Bearing, Thrust (Includes 18)	1	285205
18	Ball, Bearing (Includes 17)	1	285205
19	Bottom and Pinion, Gearcase	1	285515
20	Block Tab, Terminal	1	3949116
21	Seal, Thrust Plug	1	285352
22	Screw, Gearcase Cover Mounting (8) (10-24 x 3/8)	8	3351614
23	Ring, Retaining	1	285765
24	Washer Kit, Thrust	1	285766
25	Gear, Spin	1	285362
26	Neutral Assembly	1	388253
27	Rack, Connecting	1	3949609
28	Actuator, Shift	1	62621
29	Washer, Intermediate	1	388815

LAVADORA 7MLSR7232PT0

Marca	Whirlpool
Capacidad	11 Kg
Color	Biscuit

WATER SYSTEM



Nota: La imagen mostrada en este explosionado puede no ser idéntica a la pieza real del aparato, mas sin embargo el número de parte mostrado en el listado corresponde a la pieza real del aparato.

LAVADORA 7MLSR7232PT0

Marca		Whirlpool	
Capacidad		11 Kg	
Color		Biscuit	
R e f	Descripción	C a n t	Numero de Parte
WATER SYSTEM			
1	Connector Kit, Plastic Drain Hose	1	285442
2	Sleeve Kit, (Contains 2 Sleeves)	1	285321
3	Clamp, Hose	1	285655
4	Connector, Straight	1	16272
5	Siphon Break Kit (Not Included)	1	285320
6	Clamp, Hose	1	285655
7	Drain Protector (Not Included)	1	367031

