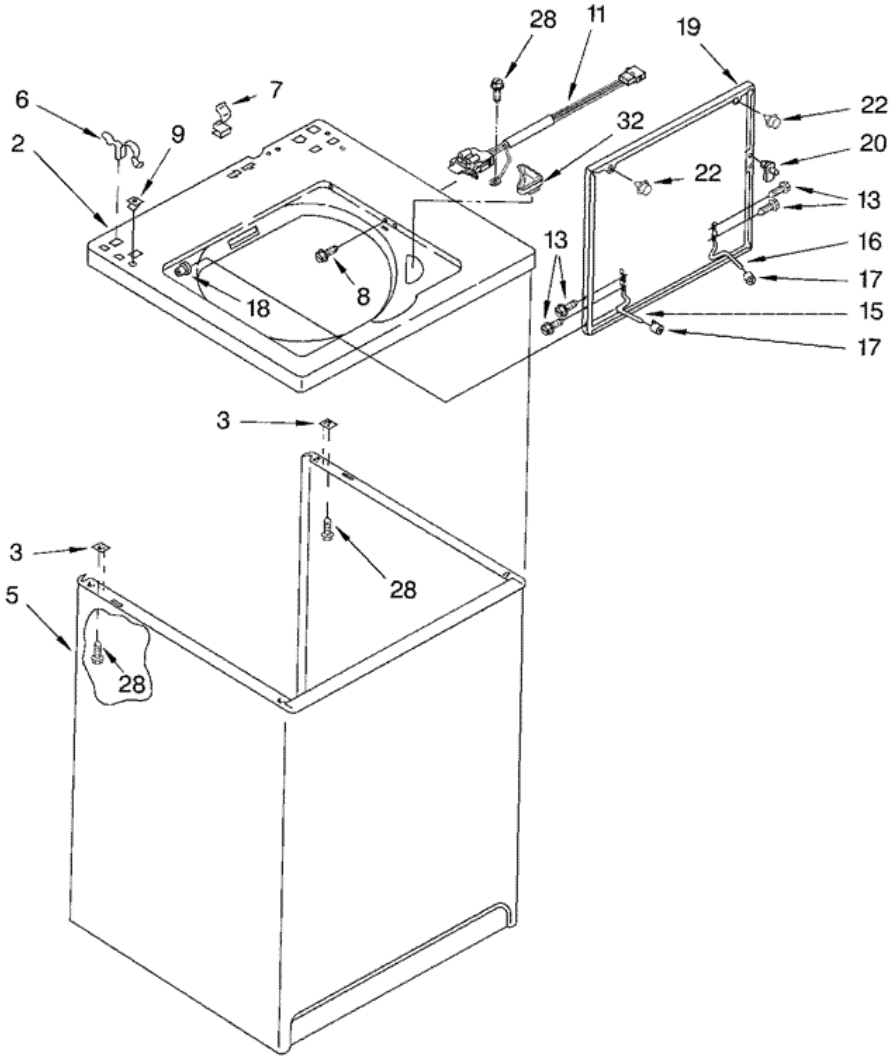


7MLSR7533JT0 GABINETE





7MLSR7533JT0 GABINETE

2	8271380	TOP (S/P)
3	62750	SPACER, CABINET TO TOP (4) (S/P)
5	3954357	CABINET (S/P)
6	62780	CLIP, TOP & CABINET & REAR PANEL (2)
7	90016	CLIP, HARNESS (S/P)
8	3356311	SCREW & WASHER, LID SWITCH (2) (S/P)
9	357213	NUT, PUSH-IN (2) (S/P)
11	3949247	SWITCH, LID
13	3351355	SCREW, LID HINGE MOUNTING (4) (S/P)
15	54584	HINGE, LID (L.H.) (S/P)
16	54583	HINGE, LID (R.H.) (S/P)
17	19119	BUMPER, LID HINGE (S/P)
18	21258	BEARING, LID HINGE (2) (S/P)
19	3954599	LID (S/P)
20	358684	STRIKE, LID SWITCH
22	93770	BUMPER, LID (2)
28	3390631	SCREW, 10-16 X 1/2 (5) (S/P)
32	3362952	DISPENSER, BLEACH

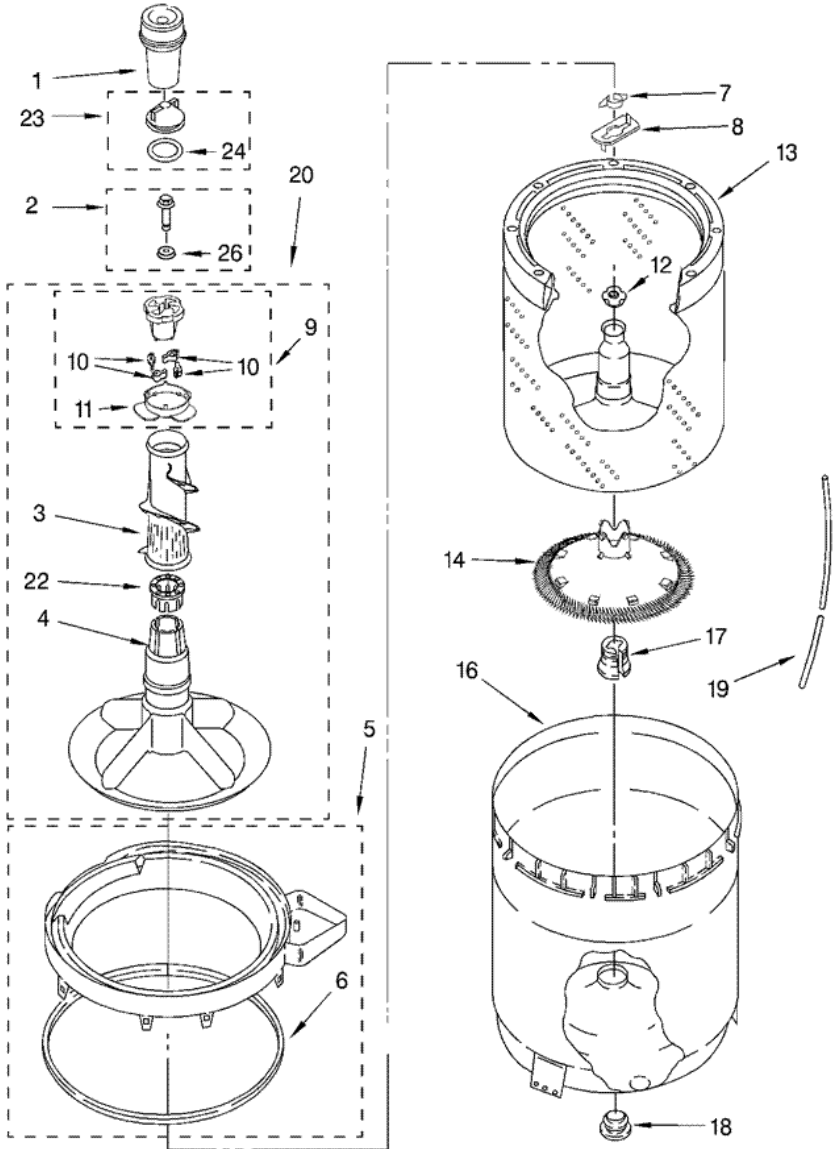


7MLSR7533JT0 TABLERO

1	16123	WASHER, WATER INLET HOSE (4) (1-1/16 X 5/8) (S/P)
2	3351614	SCREW, GROUND (S/P)
3	89503	HOSE, WATER INLET (2) (RED COUPLING)
3	89503	HOSE, WATER INLET (2) (BLUE COUPLING)
4	9740848	SCREW, 8-18 X 1/2 (S/P)
5	387402	HINGE, CONSOLE (2)
6	3357978	PANEL, REAR (S/P)
7	62747	PAD, REAR PANEL (S/P)
8	661577	HOSE, DRAIN (9') (NOT INCLUDED) (S/P)
8	285702	EXTENSION DRAIN HOSE (21 INCHES) (S/P)
8	285664	HOSE, DRAIN (4')
9	3949208	TIMER, CONTROL (60 HZ.)
10	8055003	CLIP, HARNESS & PRESSURE HOSE (S/P)
11	90767	SCREW 8A X 3/8 (S/P)
12	3366848	SWITCH, WATER LEVEL
13	3948608	BRACKET, CONTROL (S/P)
14	285800	CORD, POWER
15	3952821	STRAIN RELIEF, POWER CORD (S/P)
16	279965	CAP, END (L.H.) (S/P)
17	3367669	EDGE PROTECTOR (S/P)
18	285805	VALVE, WATER MIXING
19	90864	SCREW, 10-24 X 3/8 (2) (S/P)
20	3400073	SCREW (S/P)
21	596669	CLAMP, HOSE (S/P)
22	3357328	HOSE, VACUUM BREAK
23	596669	CLAMP, HOSE (S/P)
24	3360977	BREAK, VACUUM
25	8519200	SUPPORT, REAR PANEL
27	356138	CLAMP, HOSE (S/P)
30	616099	CLAMP, HOSE (S/P)
31	285655	CLAMP, HOSE (S/P)
32	285871	HOSE, PUMP TO TUB
35	W10168256	SWITCH, WATER TEMPERATURE

36	3400808	SCREW, TIMER MOUNTING (S/P)
37	3949187	SWITCH, ROTARY (S/P)
39	3954193	PANEL, CONSOLE (S/P)
44	3957822	KNOB, TIMER
45	3957850	DIAL, TIMER
47	8271348	KNOB, CONTROL
49	388326	SCREW, 8-18 X 1.25 (PANEL TO TOP) (S/P)
50	62863	SCREW, 10-16 X 3/8 (S/P)
51	279965	CAP, END (R.H.) (S/P)
55	3390647	SCREW, 8-18 X 1/2 (S/P)
58	3357331	CLAMP, DRAIN HOSE (S/P)
59	8539874	SHEILD, SUDS (S/P)
60	3952571	HARNESS, WIRING (S/P)
61	3357027	NOZZLE-DRAIN HOSE (S/P)
62	8317940	HOSE-DRAIN CONNECTOR ASSY

7MLSR7533JT0 TINAS





7MLSR7533JT0 TINAS

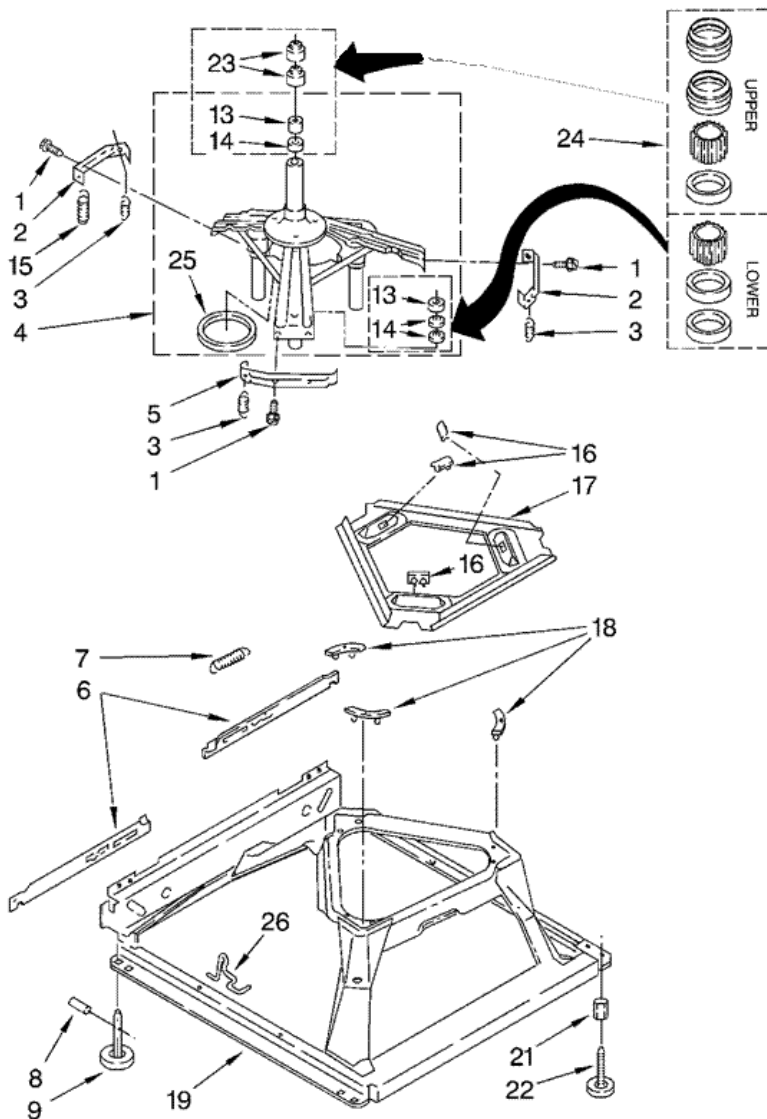
1	63580	DISPENSER
2	358237	SCREW & WASHER (5/16-24 X 1)
3	3951744	CLOTHES MOVER
4	3951744	AGITATOR
5	63851	TUB RING & GASKET (S/P)
6	3976308	GASKET, TUB RING
7	3354845	CLIP, AGITATOR (S/P)
8	3355921	WASHER, AGITATOR (S/P)
9	285809	CAM DRIVEN
10	285770	DOG, AGITATOR CLUTCH
11	3952374	BEARING, DRIVEN CAM (S/P)
12	21366	NUT, SPANNER
13	8526017	BASKET & BALANCE RING (S/P)
14	285868	PLATE, FILTER
16	63849	TUB (S/P)
17	389140	BLOCK, BASKET DRIVE
18	383727	GASKET, CENTER POST
19	353244	HOSE, PRESSURE SWITCH
20	3951744	AGITATOR ASSEMBLY (COMPLETE)
22	3951608	SPACER, THRUST
23	285551	CAP, BARRIER
24	3348855	SEAL, INNER CAP
26	3949550	WASHER (S/P)

Distribuidor Autorizado

SurteRápido.com

Venta de Refacciones
Electrodomesticas

7MLSR7533JT0 BASE





7MLSR7533JT0 BASE

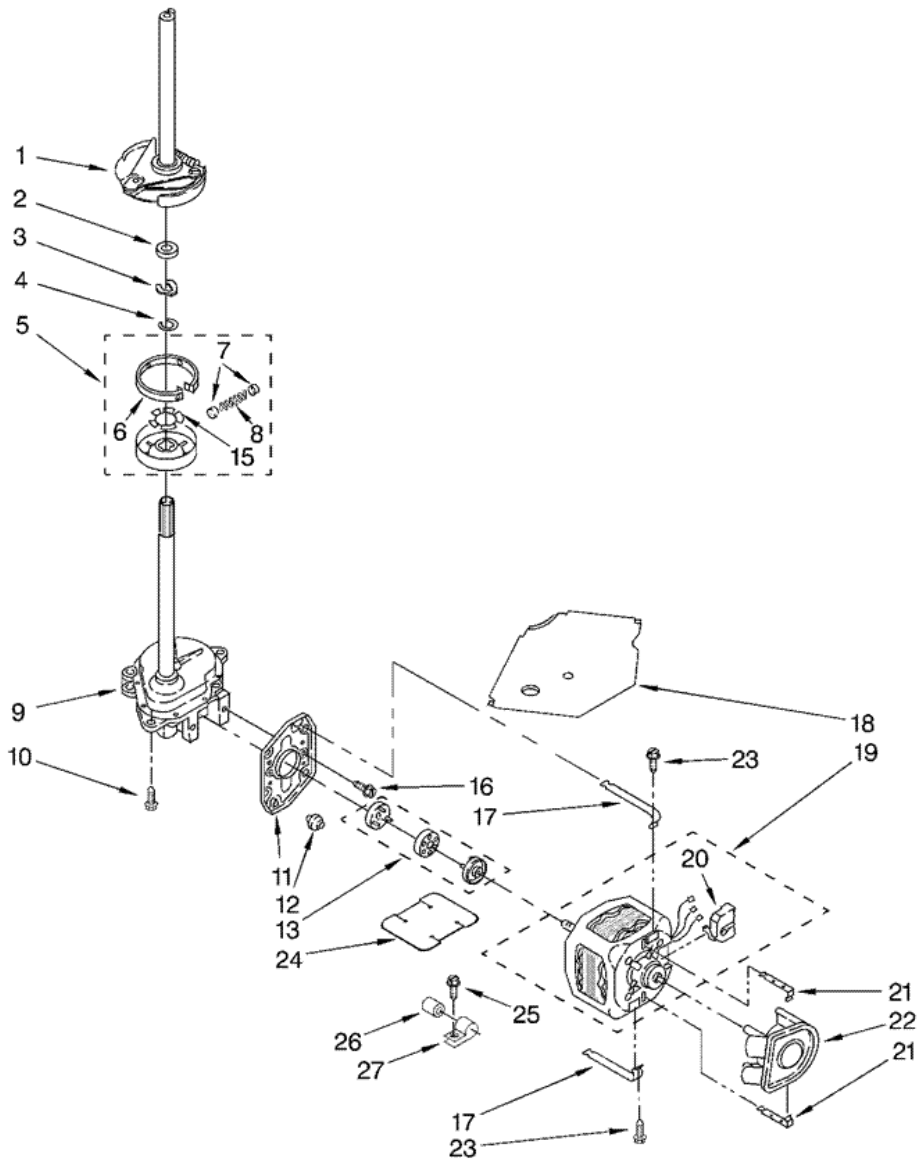
1	3196174	SCREW, BRACKET MOUNTING (10-32 X 0.562) (S/P)
2	64067	BRACKET, SPRING OUTER (2)
3	63907	SPRING, SUSPENSION (3)
4	63740	SUPPORT & BRAKE, TUB
5	64065	BRACKET, SPRING OUTER (L.F.)
6	63466	LINK, LEVELING MECHANISM (2) (S/P)
7	8316845	SPRING, LEVELING MECHANISM
8	62837	PIN, KNURLED (S/P)
9	285244	FOOT, REAR (2)
13	8546455	BEARING, CENTERPOST (2) (S/P)
14	359449	SEAL, CENTERPOST (3)
15	388492	SPRING, COUNTERWEIGHT
16	285219	PAD, PLATE
17	3946509	PLATE, SUSPENSION (INCLUDES ILLUS. 16) (S/P)
18	285744	PAD, BASE
19	285771	BASE ASSEMBLY
21	3359452	NUT, LOCK (3/8-16) (2) (S/P)
22	389102	FOOT, FRONT (2)
23	91938	SEAL, CENTERPOST (2)
24	285203	CENTERPOST BEARING KIT
25	63134	RING, SOUND DEADENING
26	63806	RETAINER, SUSPENSION SPRING

Distribuidor Autorizado

SurteRápido.com

Venta de Refacciones
Electrodomesticas

7MLSR7533JT0 MOTOR

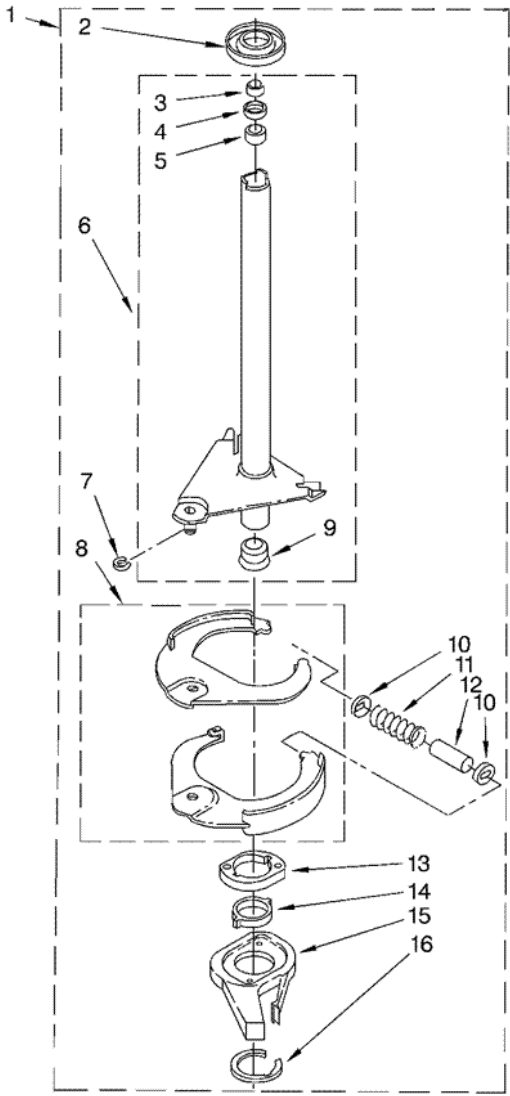




7MLSR7533JT0 MOTOR

1	285792	BRAKE & DRIVE TUBE (COMPLETE)
2	63292	WASHER, SPIN TUBE THRUST
3	62697	RING, SPIN TUBE SUPPORT
4	285353	RING, RETAINER (S/P)
5	285785	CLUTCH (COMPLETE)
6	285790	BAND & LINING, CLUTCH (INCLUDES ILLUS. 7 & 8)
7	62646	CAP, CLUTCH SPRING (2) (S/P)
8	3946792	SPRING, CLUTCH (S/P)
9	3360629	GEARCASE (COMPLETE)
10	3357334	SCREW, GEARCASE TO BASE (3) (S/P)
11	62611	PLATE, MOTOR MOUNT TO GEARCASE (S/P)
12	62691	GROMMET, MOTOR (4)
13	285753	COUPLING, MOTOR & ISOLATION
15	3355454	CLIP, ANTI-RATTLE (S/P)
16	3400516	SCREW (S/P)
17	3349637	RETAINER, MOTOR (2)
18	3362089	SHIELD, TUB TO MOTOR (S/P)
19	389248	MOTOR, MAIN DRIVE
20	62850	SWITCH, MAIN DRIVE MOTOR (S/P)
21	62700	RETAINER, PUMP (2)
22	3363394	PUMP (COMPLETE)
23	3387485	SCREW, 10-16 X 5/8 (S/P)
24	3946532	SHIELD, MOTOR (S/P)
25	62863	SCREW, 10-16 X 3/8 (S/P)
26	8572717	CAPACITOR (S/P)
27	357030	CLAMP, CAPACITOR (S/P)

7MLSR7533JT0 FLECHA HUECA





7MLSR7533JT0 FLECHA HUECA

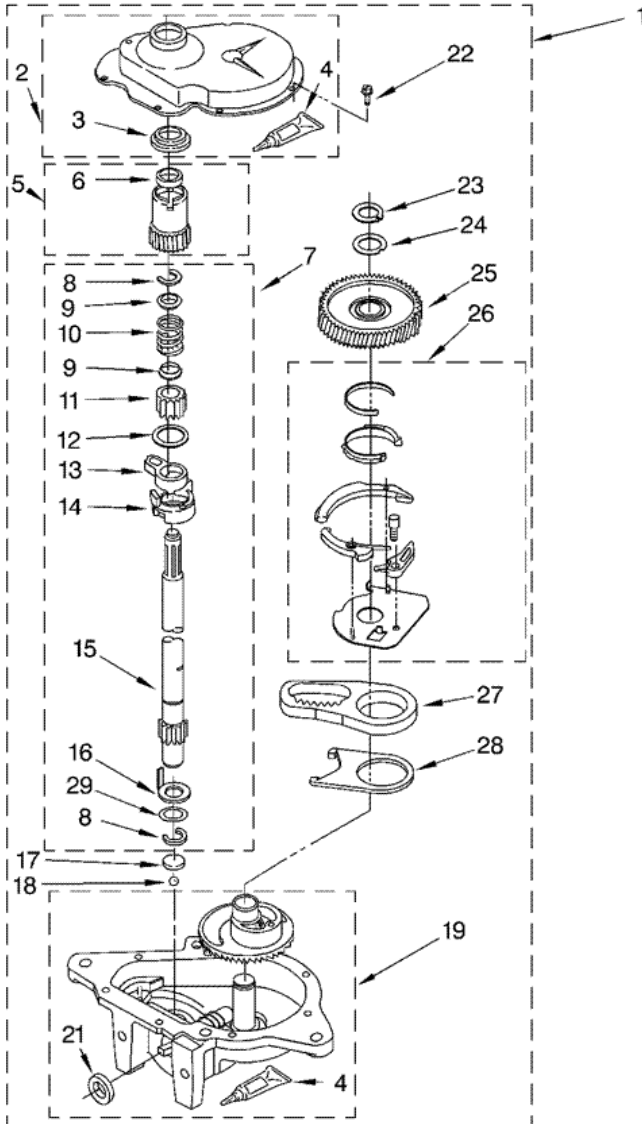
1	285792	BRAKE AND DRIVE TUBE (COMPLETE)
2	62658	RING, THRUST
3	91939	SEAL. OIL
4	356427	SEAL, DRIVE TUBE
5	356937	SPACER, DRIVE TUBE
6	285792	TUBE, BASKET DRIVE (INCLUDES ILLUS. 3, 4, 5, & 9)
7	64035	RING, RETAINING (S/P)
8	285438	SHOE, BRAKE
9	62703	``T`` BEARING, SPIN TUBE
10	285658	CAP, BRAKE SPRING (2) (S/P)
11	387806	SPRING, BRAKE
12	285658	SLEEVE, BRAKE SPRING (S/P)
13	661516	CAM, BRAKE RELEASE
14	63022	SLEEVE, CAM DESCONTINUADO
15	64194	DRIVER, BRAKE CAM
16	90368	RING, RETAINING
16	285208	LUBRICANT (S/P)

Distribuidor Autorizado

SurteRápido.com

Venta de Refacciones
Electrodomesticas

7MLSR7533JT0 TRANSMISION

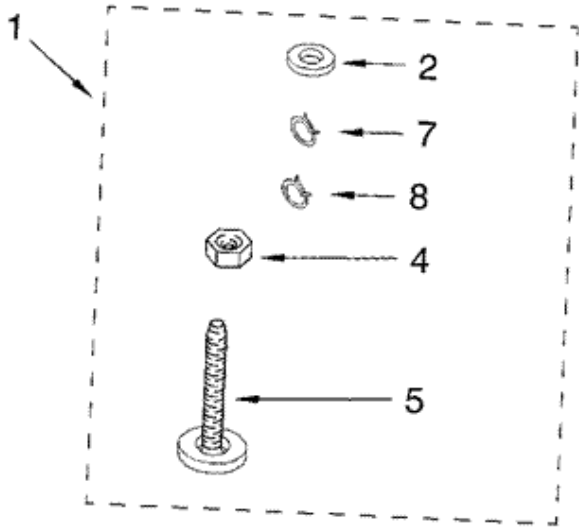




7MLSR7533JT0 TRANSMISION

1	3360629	GEARCASE (COMPLETE)
2	285202	COVER, GEARCASE (S/P)
3	3349985	SEAL, GEARCASE COVER
4	285195	SEALER, GASKET (.20 FL. OZ.) (6 ML) (S/P)
5	285362	PINION, SPIN (INCLUDES ILLUS. 25) (S/P)
6	356427	SEAL, SPIN PINION
7	389387	SHAFT, AGITSTOR (COMPLETE) (S/P)
8	90369	RING, RETAINING (2)
9	62677	RETAINER, SPRING
10	62676	SPRING, AGITATOR (S/P)
11	285509	GEAR, AGITATE DESCONTINUADO
12	62619	WASHER, AGITATOR GEAR (S/P)
13	285206	CAM FOLLOWER (INCLUDES 14)
14	285206	CAM, AGITATE (INCLUDES 13)
15	285509	SHAFT, AGITATOR DESCONTINUADO
16	62618	WASHER, CAM THRUST
17	285205	BEARING, THRUST (S/P)
18	285205	BALL, BEARING (S/P)
19	285515	BOTTOM AND PINION DESCONTINUADO
21	285352	SEAL, THRUST PLUG
22	3351614	SCREW, GEARCASE COVER, MOUNTING (8) (S/P)
23	285765	RING, RETAINING
24	285766	WASHER KIT, THRUST
25	285362	GEAR, SPIN
26	388253	NEUTRAL ASSEMBLY
27	3949609	RACK, CONNECTING
28	62621	ACTUATOR, SHIFT
29	388815	WASHER, INTERMEDIATE (S/P)

7MLSR7533JT0 PATA



1	285654	MISCELLANEOUS PARTS BAG (S/P)
2	16123	WASHER, INLET HOSE (1-1/16 X 5/8) (4) (S/P)
4	3359452	NUT, LOCK (3/8-16) (S/P)
5	389102	FOOT, FRONT (2)
7	3357331	CLAMP, HOSE (S/P)
8	285195	SEALER, GASKET (.20 FL. OZ.) (6 ML) (S/P)