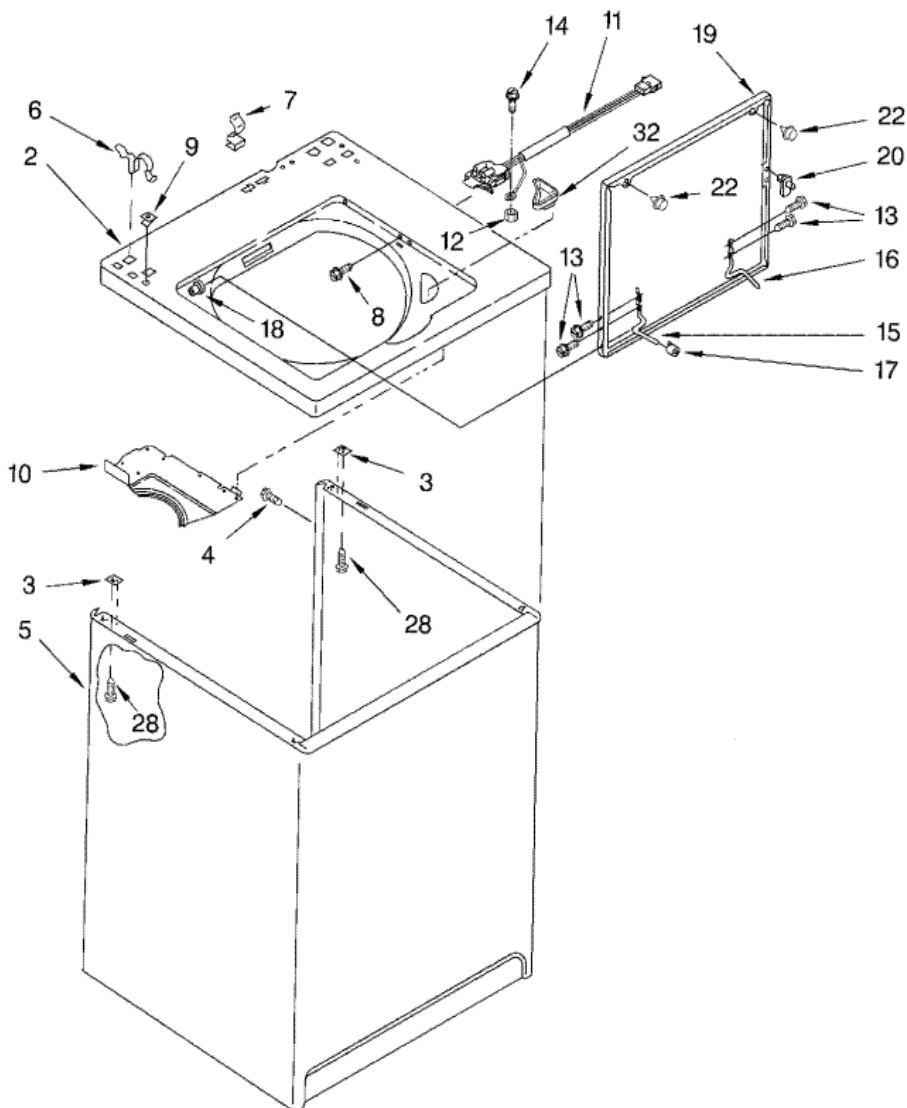


Distribuidor Autorizado

SurteRápido.com

Venta de Refacciones  
Electrodomesticas

## 7MLSR7533JT4 GABINETE





## 7MLSR7533JT4 GABINETE

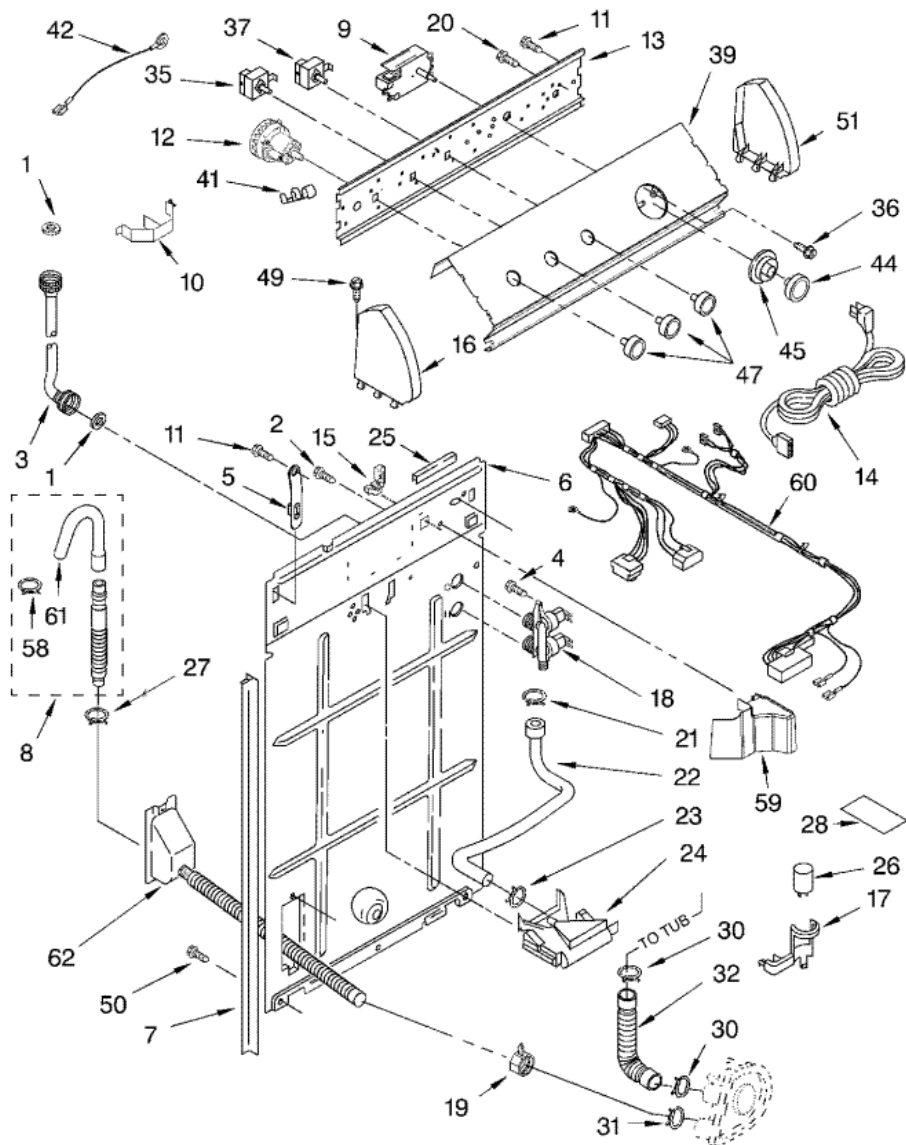
2	8271380	TOP (S/P)
3	62750	SPACER, CABINET TO TOP (4) (S/P)
4	3357011	SCREW, 10-16 X 1/2 (S/P)
5	3954357	CABINET (S/P)
6	62780	CLIP, TOP & CABINET & REAR PANEL (2)
7	90016	CLIP, HARNESS (S/P)
8	3356311	SCREW & WASHER, LID SWITCH (2) (S/P)
9	357213	NUT, PUSH-IN (2) (S/P)
10	3950994	SHIELD, LID SWITCH (S/P)
11	3950298	SWITCH, LID (S/P)
12	680762	NUT, HEX (S/P)
13	3351355	SCREW, LID HINGE MOUNTING (4) (S/P)
14	3351614	SCREW, 10-24 X 3/8 (S/P)
15	54584	HINGE, LID (L.H.) (S/P)
16	91770	HINGE, LID (R.H.) (S/P)
17	19119	BUMPER, LID HINGE (S/P)
18	21258	BEARING, LID HINGE (2) (S/P)
19	3957508	LID (S/P)
20	358684	STRIKE, LID SWITCH
22	93770	BUMPER, LID (2)
28	3390631	SCREW, 10-16 X 1/2 (4) (S/P)
32	3362952	DISPENSER, BLEACH

Distribuidor Autorizado

SurteRápido.com

Venta de Refacciones  
Electrodomesticas

## 7MLSR7533JT4 TABLERO



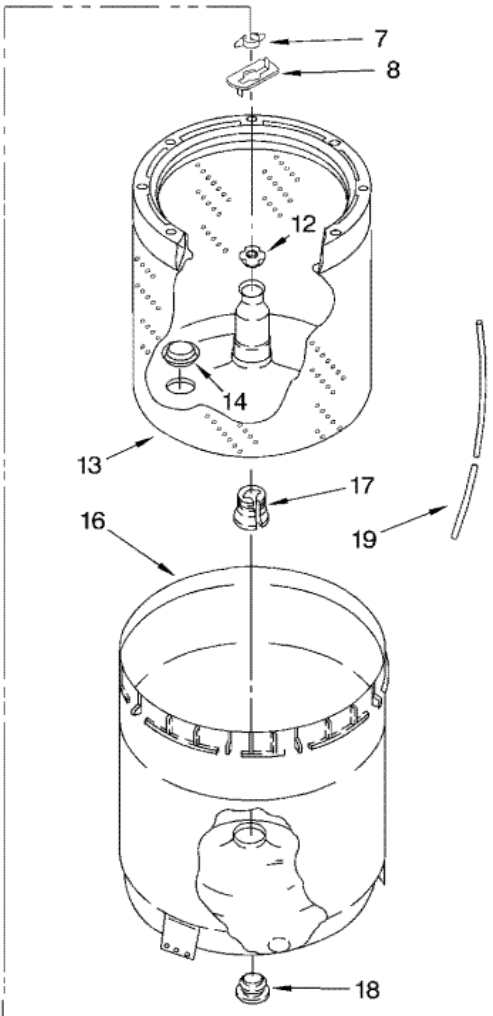
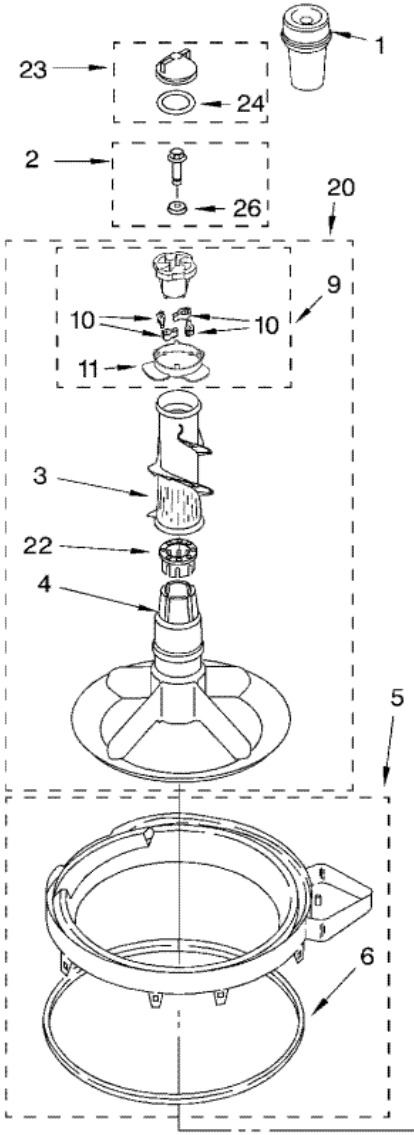


## 7MLSR7533JT4 TABLERO

1	16123	WASHER, WATER INLET HOSE (4) <b>(S/P)</b>
2	3351614	SCREW, GROUND <b>(S/P)</b>
3	89503	HOSE, WATER INLET (2) (RED COUPLING)
4	9740848	SCREW, 8-18 X 1/2 <b>(S/P)</b>
5	8568314	STRAP, CONSOLE (2) <b>(S/P)</b>
6	8318405	PANEL, REAR <b>(S/P)</b>
7	62747	PAD, REAR PANEL <b>(S/P)</b>
8	661577	HOSE, DRAIN (9') (NOT INCLUDED) <b>(S/P)</b>
8	285664	HOSE, DRAIN (4')
8	285702	EXTENSION DRAIN HOSE (21 INCHES) <b>(S/P)</b>
9	3949208	TIMER, CONTROL (60 HZ.)
10	8055003	CLIP, HARNESS & PRESSURE HOSE <b>(S/P)</b>
11	90767	SCREW, 8-18 X 3/8 <b>(S/P)</b>
12	3366848	SWITCH, WATER LEVEL
13	3948608	BRACKET, CONTROL <b>(S/P)</b>
14	8532158	CORD, POWER (INCLUDES NO.15) <b>(S/P)</b>
15	285777	STRAIN RELIEF, POWER CORD <b>(S/P)</b>
16	8314852	CAP, END (L.H.) <b>(S/P)</b>
17	8318201	CLIP, CAPACITOR <b>(S/P)</b>
18	285805	VALVE, WATER MIXING
19	3976395	CLAMP, HOSE <b>(S/P)</b>
20	3179795	SCREW, GROUND <b>(S/P)</b>
21	596669	CLAMP, HOSE <b>(S/P)</b>
22	3357328	HOSE, VACUUM BREAK
23	596669	CLAMP, HOSE <b>(S/P)</b>
24	3360977	BREAK, VACUUM
25	3367669	EDGE PROTECTOR <b>(S/P)</b>
26	8572717	CAPACITOR, MOTOR START <b>(S/P)</b>
27	356138	CLAMP, HOSE <b>(S/P)</b>
28	3976286	SHIELD, CAPACITOR <b>(S/P)</b>
30	616099	CLAMP, HOSE <b>(S/P)</b>
31	285655	CLAMP, HOSE <b>(S/P)</b>
32	285871	HOSE, PUMP TO TUB

35	661612	SWITCH, WATER TEMPERATURE
36	3400818	SCREW, TIMER MOUNTING <b>(S/P)</b>
37	3949187	SWITCH, ROTARY <b>(S/P)</b>
39	8532156	PANEL, CONSOLE <b>(S/P)</b>
41	357572	CLIP, GROUNDING <b>(S/P)</b>
42	3395559	WIRE, GROUND <b>(S/P)</b>
44	3957822	KNOB, TIMER
45	3957850	DIAL, TIMER
47	8271348	KNOB, CONTROL
49	388326	SCREW, 8-18 X 1.25 (PANEL TO TOP) <b>(S/P)</b>
50	62863	SCREW, 10-16 X 3/8 <b>(S/P)</b>
51	8314851	CAP, END (R.H.) <b>(S/P)</b>
58	3357331	CLAMP, DRAIN HOSE <b>(S/P)</b>
59	8314879	SHIELD, INLET VALVE <b>(S/P)</b>
60	3956133	HARNESS, WIRING <b>(S/P)</b>
61	3357027	NOZZLE-DRAIN HOSE <b>(S/P)</b>
62	8317940	DRAIN HOSE ASSEMBLY

**7MLSR7533JT4 TINA**





7MLSR7533JT4 TINA

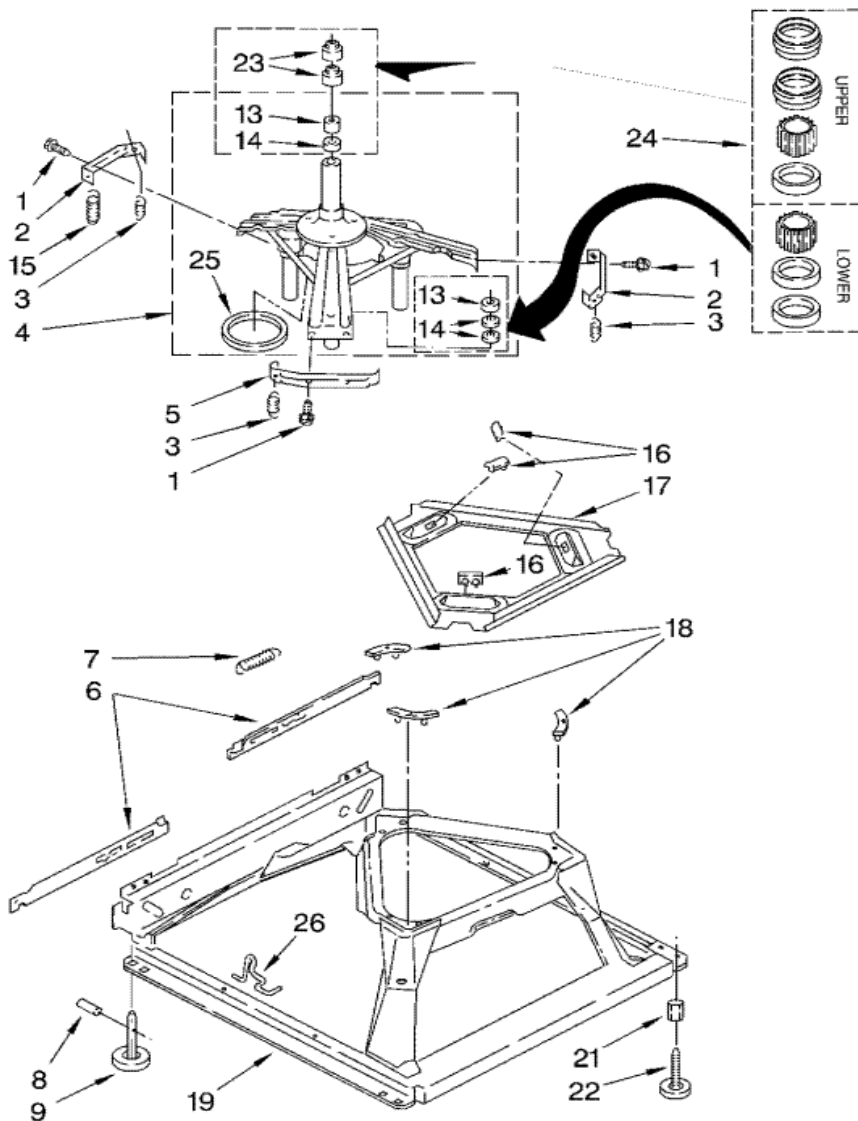
1	63580	DISPENSER
2	358237	SCREW & WASHER (5/16-24 X 1)
3	3363003	CLOTHES MOVER
4	3951632	AGITATOR
5	8528150	TUB RING & GASKET
6	3359585	GASKET, TUB RING
7	3354845	CLIP, AGITATOR <b>(S/P)</b>
8	3355921	WASHER, AGITATOR <b>(S/P)</b>
9	3951682	CAM DRIVEN
10	3366877	DOG, AGITATOR CLUTCH
11	3952374	BEARING-DRIVEN CAM <b>(S/P)</b>
12	21366	NUT, SPANNER
13	3951989	BASKET & BALANCE RING <b>(S/P)</b>
14	8522271	FILTER PLUG
16	63849	TUB
17	389140	BLOCK, BASKET DRIVE
18	383727	GASKET, CENTERPOST
19	3347780	HOSE, PRESSURE SWITCH
20	3951744	AGITATOR (COMPLETE)
22	3951608	SPACER, THRUST
23	3354733	CAP, BARRIER
24	3348855	SEAL, INNER CAP
26	3949550	WASHER <b>(S/P)</b>

Distribuidor Autorizado

SurteRápido.com

Venta de Refacciones  
Electrodomesticas

7MLSR7533JT4 BASE



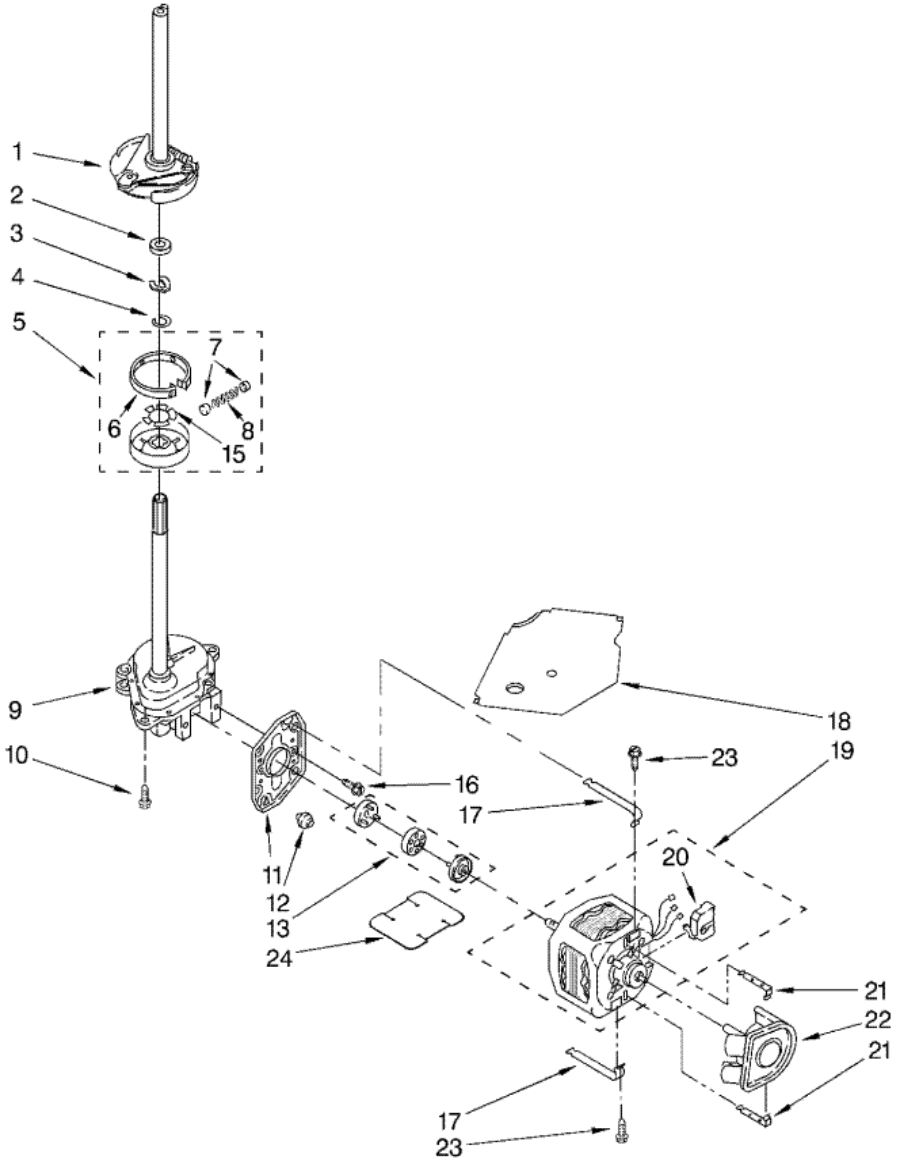




## 7MLSR7533JT4 BASE

1	3400076	SCREW, BRACKET MOUNTING <b>(S/P)</b>
2	64067	BRACKET, SPRING OUTER (2)
3	63907	SPRING SUSPENSION,(3)
4	280184	SUPPORT & BRAKE, TUB
5	64065	BRACKET, SPRING OUTER (L.F.)
6	63466	LINK, LEVELING MECHANISM (2)
7	8316845	SPRING, LEVELING MECHANISM
8	62837	PIN, KNURLED <b>(S/P)</b>
9	285244	FOOT, REAR (2)
13	8546455	BEARING, CENTERPOST (2) <b>(S/P)</b>
14	359449	SEAL, CENTERPOST (3)
15	388492	SPRING, COUNTERWEIGHT
16	285219	PAD, PLATE
17	3946509	PLATE, SUSPENSION (INCLUDES ILLUS. 16)
18	285744	PAD, BASE
19	285771	BASE ASSEMBLY
21	3359452	NUT, LOCK (3/8-16) (2) <b>(S/P)</b>
22	389102	FOOT, FRONT (2)
23	91938	SEAL, CENTERPOST (2)
24	285203	CENTERPOST BEARING KIT
25	63134	RING, SOUND DEADENING
26	63806	RETAINER, SUSPENSION SPRING

**7MLSR7533JT4 MOTOR**

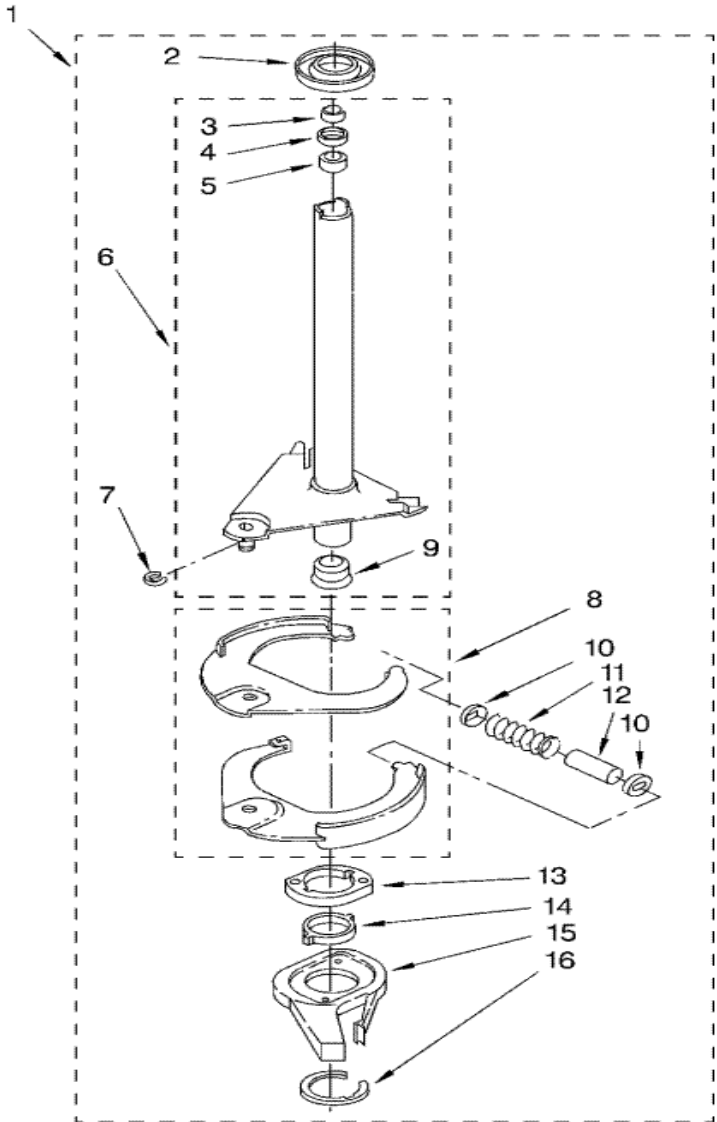




## 7MLSR7533JT4 MOTOR

1	285792	BRAKE & DRIVE TUBE (COMPLETE)
2	63292	WASHER, SPIN TUBE THRUST
3	62697	RING, SPIN TUBE SUPPORT
4	285353	RING, RETAINER
5	285785	CLUTCH (COMPLETE)
6	285790	BAND & LINING, CLUTCH
7	62646	CAP, CLUTCH SPRING (2) <b>(S/P)</b>
8	3946792	SPRING, CLUTCH <b>(S/P)</b>
9	3360629	GEARCASE (COMPLETE)
10	3357334	SCREW, GEARCASE TO BASE (3) <b>(S/P)</b>
11	62611	PLATE, MOTOR MOUNT TO GEARCASE
12	62691	GROMMET, MOTOR (4)
13	285753	COUPLING, MOTOR & ISOLATION
15	3355454	CLIP, ANTI-RATTLE <b>(S/P)</b>
16	3400516	SCREW <b>(S/P)</b>
17	3349637	RETAINER, MOTOR (2)
18	3362089	SHIELD, TUB TO MOTOR <b>(S/P)</b>
19	389248	MOTOR, MAIN DRIVE
20	3952056	SWITCH, MAIN DRIVE MOTOR <b>(S/P)</b>
21	62700	RETAINER, PUMP (2)
22	3363394	PUMP (COMPLETE)
23	3387485	SCREW, 10-16 X 5/8 <b>(S/P)</b>
24	8316060	SHIELD, MOTOR <b>(S/P)</b>

**7MLSR7533JT4 FLECHA HUECA**





## 7MLSR7533JT4 FLECHA HUECA

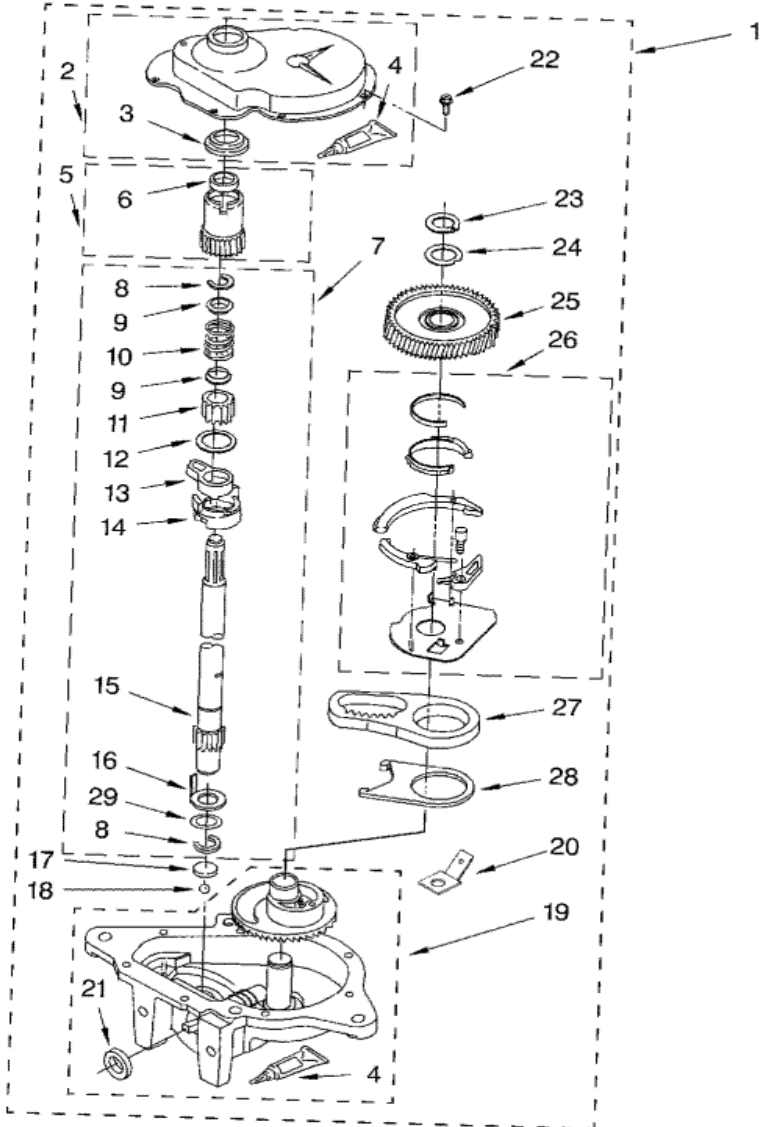
1	285792	BRAKE AND DRIVE TUBE (COMPLETE)
2	62658	RING, THRUST
3	91939	SEAL, OIL
4	356427	SEAL, DRIVE TUBE
5	356937	SPACER, DRIVE TUBE
6	64208	TUBE, BASKET DRIVE
7	64035	RING, RETAINING (S/P)
8	285438	SHOE, BRAKE
9	62703	``T`` BEARING, SPIN TUBE
10	285658	CAP, BRAKE SPRING (2) (S/P)
11	387806	SPRING, BRAKE
12	285658	SLEEVE, BRAKE SPRING (S/P)
13	661516	CAM, BRAKE RELEASE
14	63022	<b>DESCONTINUADO</b>
15	64194	DRIVER, BRAKE CAM
16	90368	RING, RETAINING
16	285208	LUBRICANT (S/P)

Distribuidor Autorizado

SurteRápido.com

Venta de Refacciones  
Electrodomesticas

# 7MLSR7533JT4 TRANSMISION

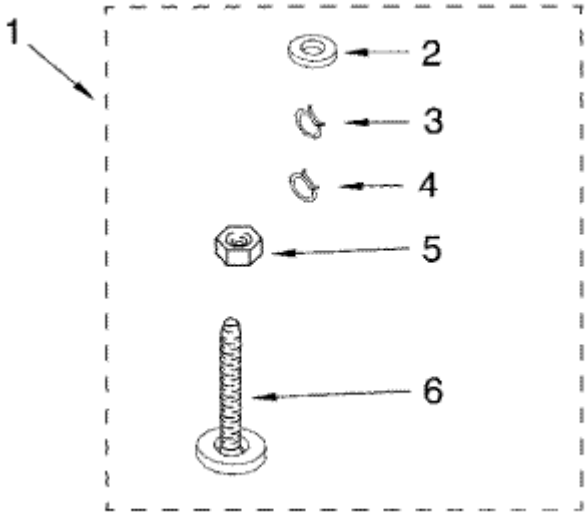




## 7MLSR7533JT4 TRANSMISION

1	3360629	GEARCASE (COMPLETE)
2	285202	COVER, GEARCASE (S/P)
3	3349985	SEAL, GEARCASE COVER
4	285195	SEALER, GASKET (.20 FL. OZ.) (6 ML)
5	285362	PINION, SPIN (INCLUDES ILLUS. 25)
6	356427	SEAL, SPIN PINION
7	389387	SHAFT, AGITATOR (COMPLETE)
8	90369	RING, RETAINING (2)
9	62677	RETAINER, SPRING (2)
10	62676	SPRING, AGITATE
11	285509	<b>DESCONTINUADO</b>
12	62619	WASHER, AGITATE GEAR (S/P)
13	285206	CAM FOLLOWER (INCLUDES 14)
14	285206	CAM, AGITATE (INCLUDES 13)
15	285509	<b>DESCONTINUADO</b>
16	62618	WASHER, CAM THRUST
17	285205	BEARING, THRUST (INCLUDES 18)
18	285205	BALL, BEARING (INCLUDES 17)
19	285515	BOTTOM AND PINION, GEARCASE (S/P)
20	3949116	BLOCK TAB, TERMINAL (S/P)
21	285352	SEAL, THRUST PLUG
22	3351614	SCREW, GEARCASE COVER MOUNTING (8) (S/P)
23	285765	RING, RETAINING
24	285735	WASHER KIT, THRUST
25	285362	GEAR, SPIN
26	388253	NEUTRAL ASSEMBLY
27	3949609	RACK, CONNECTING
28	62621	ACTUATOR, SHIFT
29	388815	WASHER, INTERMEDIATE (S/P)

**7MLSR7533JT4 PATA**



1	285654	MISCELLANEOUS PARTS BAG (S/P)
2	16123	WASHER, INLET HOSE (1-1/16 X 5/8) (4) (S/P)
3	356138	CLAMP, HOSE (S/P)
4	3357331	CLAMP, HOSE (S/P)
5	3359452	NUT, LOCK (3/8-16) (S/P)
6	389102	FOOT, FRONT (2)
6	285208	LUBRICANT (S/P)