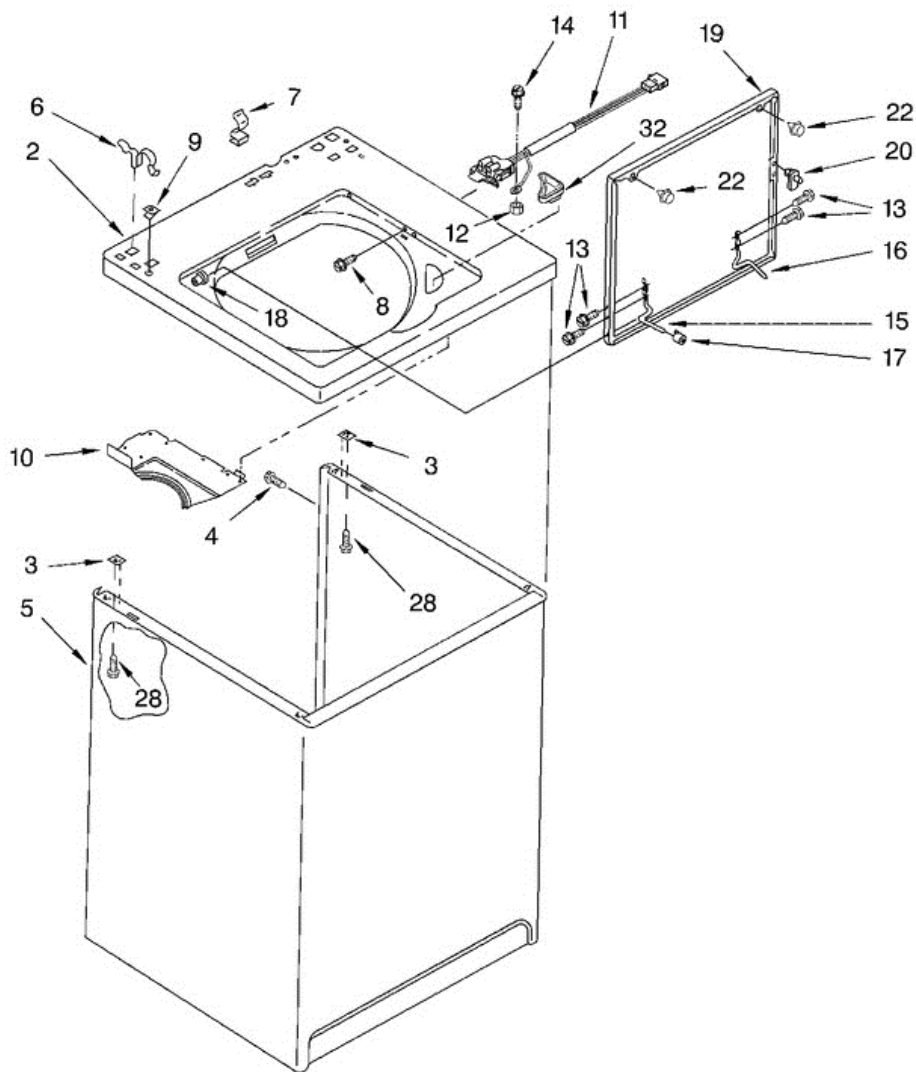


7MLSR8534MQ0 GABINETE





7MLSR8534MQ0 GABINETE

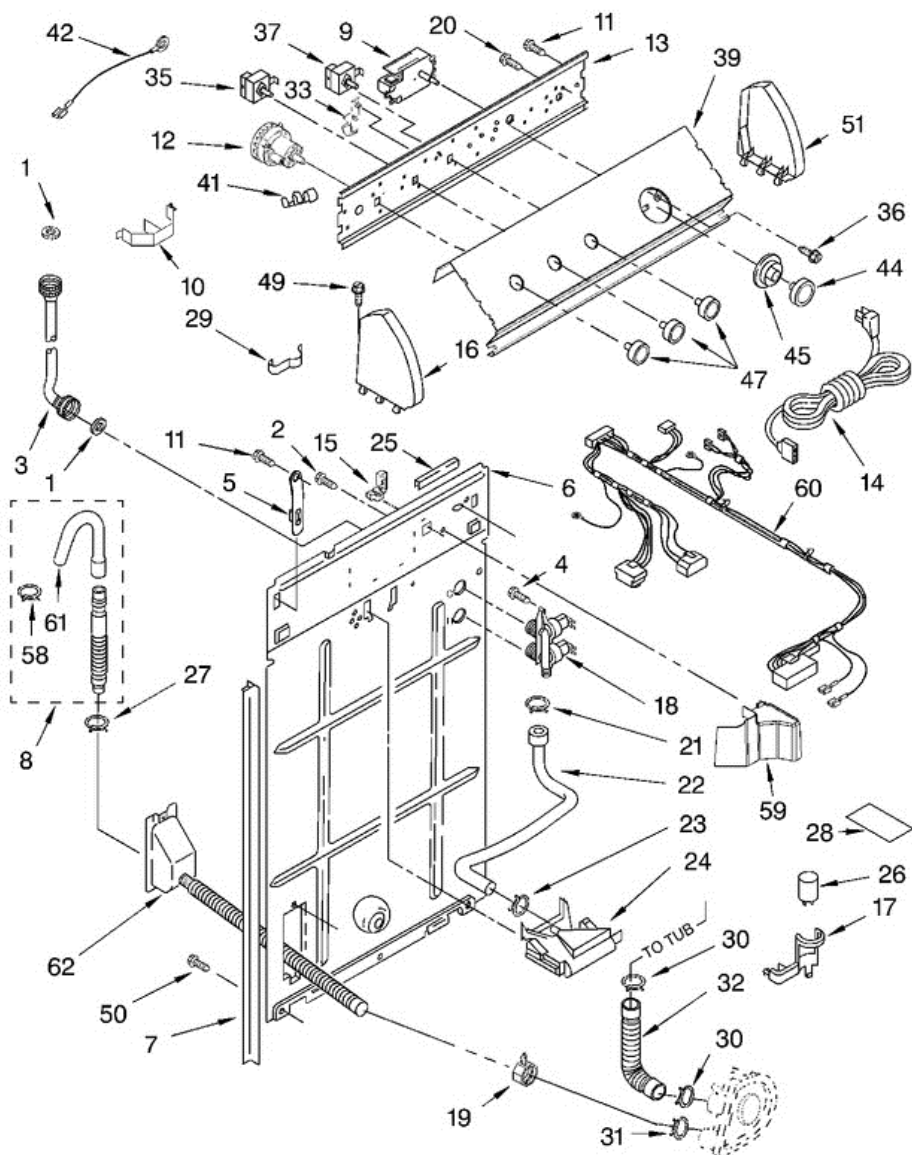
2	8271378	TOP
3	62750	SPACER, CABINET TO TOP (4)
4	3357011	SCREW, 10-16 X 1/2
5	63424	CABINET
6	62780	CLIP, TOP & CABINET & REAR PANEL (2)
7	90016	CLIP, HARNESS
8	3356311	SCREW & WASHER, LID SWITCH (2)
9	357213	NUT, PUSH-IN (2)
10	3950994	SHIELD, LID SWITCH
11	3950298	SWITCH, LID
12	3400901	NUT, HEX
13	3351355	SCREW, LID HINGE MOUNTING (4)
14	3351614	SCREW, 10-24 X 3/8
15	54584	HINGE, LID (L.H.)
16	91770	HINGE, LID (R.H.)
17	19119	BUMPER, LID HINGE
18	21258	BEARING, LID HINGE (2)
19	8541723	LID
20	357913	STRIKE, LID SWITCH
22	9724509	BUMPER, LID (2)
28	3390631	SCREW, 10-16 X 1/2 (4)
32	3362952	DISPENSER, BLEACH

Distribuidor Autorizado

SurteRápido.com

Venta de Refacciones
Electrodomesticas

7MLSR8534MQ0 TABLERO



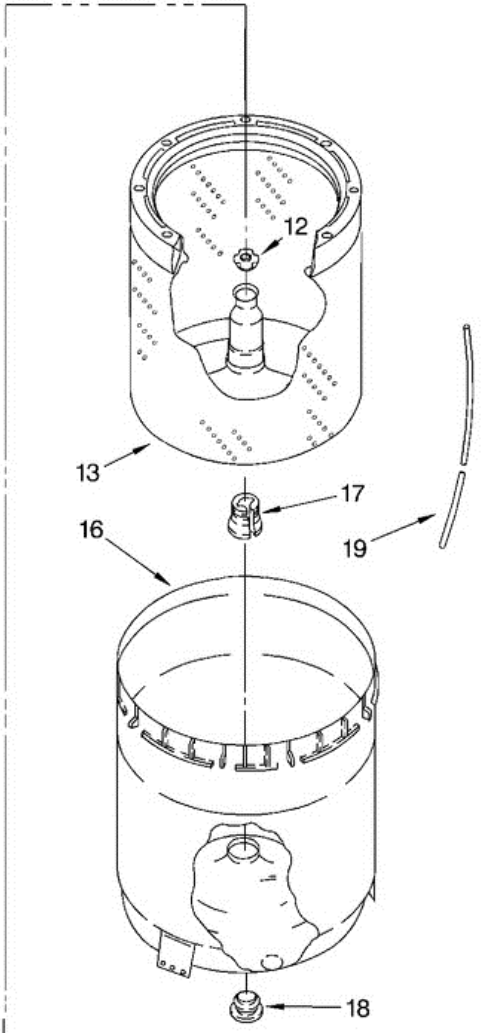
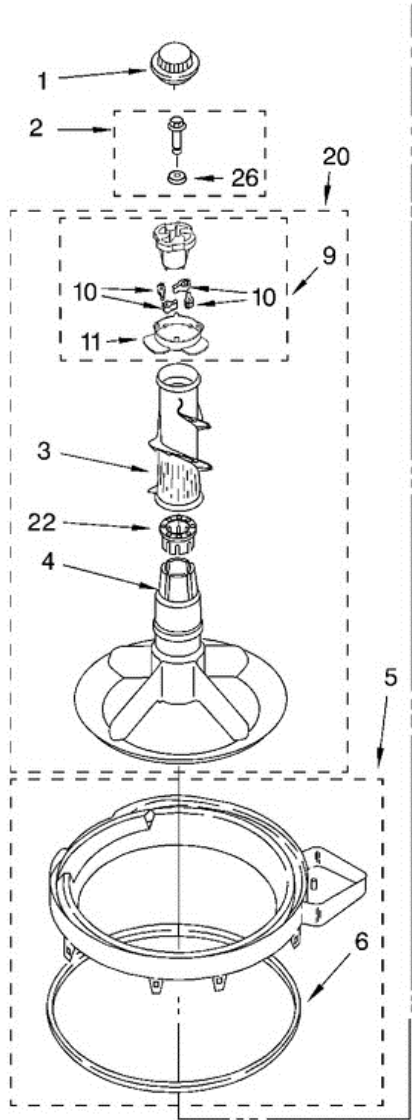


7MLSR8534MQ0 TABLERO

1	3976300	WASHER, WATER INLET HOSE (4) (1-1/16 X 5/8)
2	3351614	SCREW, GROUND
3	3949374	HOSE, WATER INLET (2) (RED COUPLING)
3	3949375	HOSE, WATER INLET (2) (BLUE COUPLING)
4	9740848	SCREW, 8-18 X 1/2
5	8318255	STRAP, CONSOLE (2)
6	8318405	PANEL, REAR
7	62747	PAD, REAR PANEL
8	3357090	EXTENSION, DRAIN HOSE (21 INCHES)
8	3951609	HOSE, DRAIN (4')
8	661577	HOSE DRAIN (9') (NOT INCLUDED.)
9	3949208	TIMER, CONTROL (60 HZ.)
10	8055003	CLIP, HARNESS & PRESSURE HOSE
11	90767	SCREW, 8-18 X 3/8
12	3366847	SWITCH, WATER LEVEL
13	3948608	BRACKET, CONTROL
14	8532158	CORD, POWER (INCLUDES 15)
15	3949468	STRAIN RELIEF, POWER CORD
16	8271369	CAP, END (L.H.)
17	8318201	CLIP, CAPACITOR
18	3952164	VALVE, WATER MIXING
19	3976395	CLAMP, HOSE
20	3179795	SCREW, GROUND
21	370451	CLAMP, HOSE
22	3357328	HOSE, VACUUM BREAK
23	371503	CLAMP, HOSE
24	387606	BREAK, VACUUM
25	303294	EDGE PROTECTOR
26	661606	CAPACITOR, MOTOR START
27	3366912	CLAMP, HOSE
28	3976286	SHIELD, CAPACITOR
29	3347812	CLIP, HARNESS
30	3363366	CLAMP, HOSE

31	8317496	CLAMP, HOSE
32	3951449	HOSE, PUMP TO TUB
33	8317975	RETAINER, HARNESS
35	661612	SWITCH, WATER TEMPERATURE
36	3400818	SCREW, TIMER MOUNTING
37	3949187	SWITCH, ROTARY
39	8539624	PANEL, CONSOLE
41	357572	CLIP, GROUNDING
42	3398893	WIRE, GROUND
44	8271345	KNOB, TIMER
45	8271351	DIAL, TIMER
47	8271339	KNOB, CONTROL
49	388326	SCREW, 8-18 X 1.25 (PANEL TO TOP)
50	62863	SCREW, 10-16 X 3/8
51	8271363	CAP, END (R.H.)
58	3366913	CLAMP, DRAIN HOSE
59	8314879	SHIELD, INLET VALVE
60	3956534	HARNESS, WIRING (FOR DETAIL SEE PAGES 9 & 10)
61	3357027	NOZZLE-DRAIN HOSE
62	8317940	DRAIN HOSE ASSEMBLY

7MLSR8534MQ0 TINAS

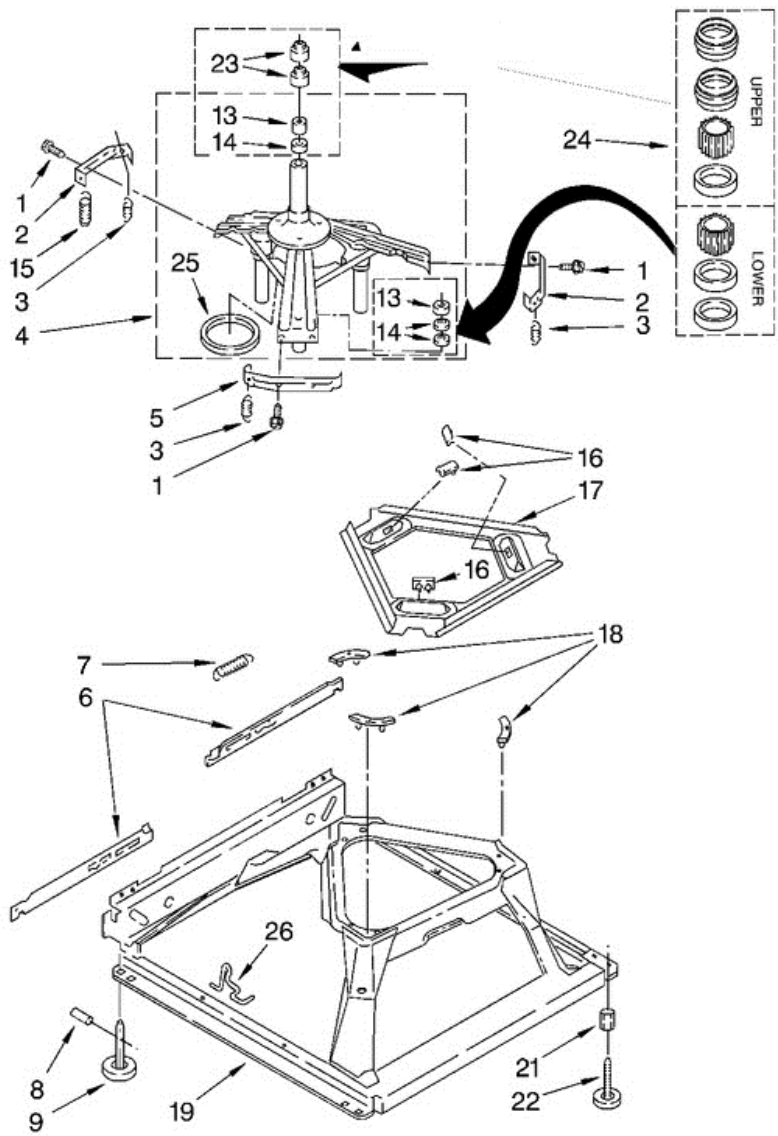




7MLSR8534MQ0 TINAS

1	3355758	CAP, AGITATOR
2	358237	SCREW & WASHER (5-16-24 X 1)
3	3363003	CLOTHES MOVER
4	3347288	AGITATOR
5	8528150	TUB RING & GASKET
6	3976308	GASKET, TUB RING
9	3363663	CAM, DRIVEN
10	3366877	DOG, AGITATOR CLUTCH
11	3363661	BEARING, DRIVEN CAM
12	21366	NUT, SPANNER
13	3951989	BASKET & BALANCE RING
16	63849	TUB
17	389140	BLOCK, BASKET DRIVE
18	383727	GASKET, CENTERPOST
19	3347780	HOSE, PRESSURE SWITCH
20	3946501	AGITATOR, ASY (COMPLETE)
22	3350389	SPACER, THRUST
26	3949550	WASHER

7MLSR8534MQ0 BASE

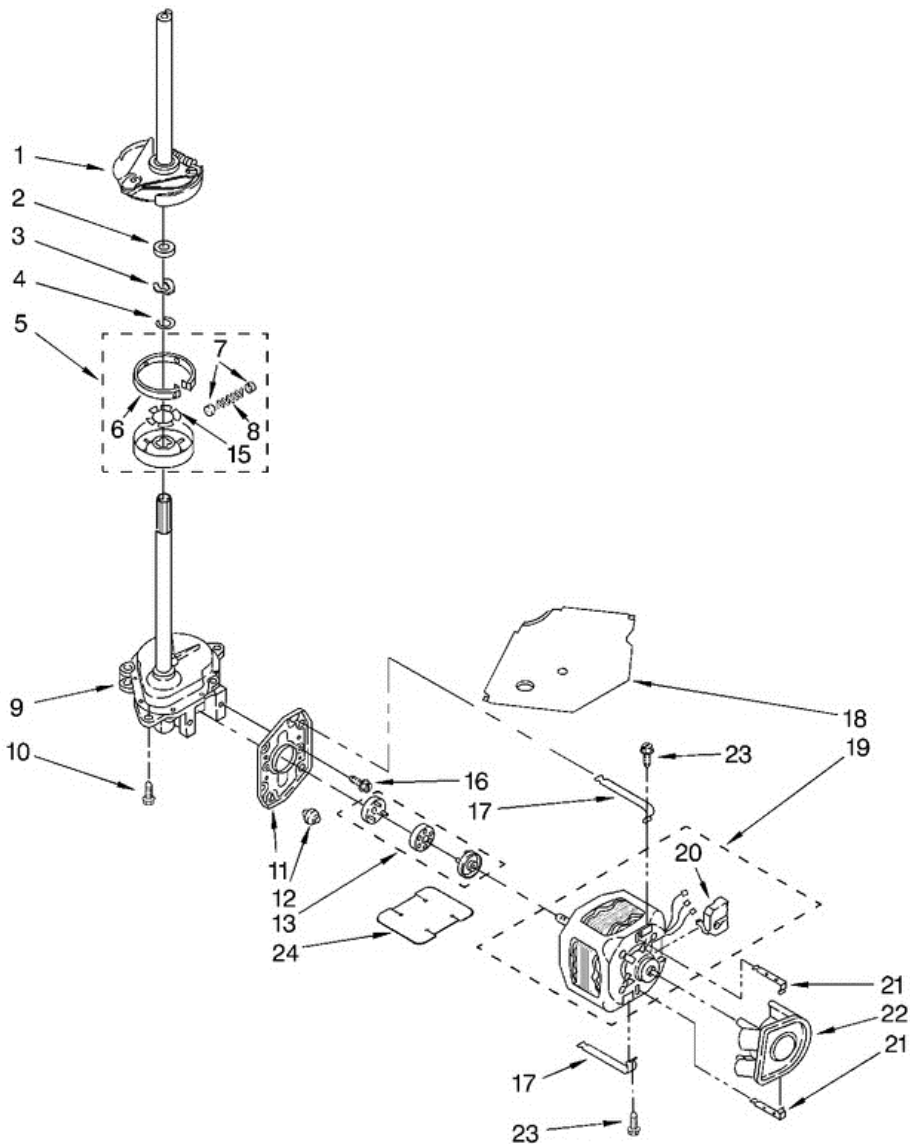




7MLSR8534MQ0 BASE

1	3400076	SCREW, BRACKET MOUNTING (10-32 X 5/8)
2	64067	BRACKET, SPRING OUTER (2)
3	63907	SPRING, SUSPENSION (3)
4	3362087	SUPPORT & BRAKE, TUB
5	64065	BRACKET, SPRING OUTER (L.F.)
6	63466	LINK, LEVELING MECHANISM (2)
7	62597	SPRING, LEVELING MECHANISM
8	62837	PIN, KNURLED
9	62596	FOOT, REAR (2)
13	3347047	BEARING, CENTERPOST (2)
14	357409	SEAL, CENTERPOST (3)
15	388492	SPRING, COUNTERWEIGHT
16	62568	PAD, PLATE
17	3946509	PLATE, SUSPENSION (INCLUDES ILLUS. 16)
18	3363660	PAD, BASE
19	3946512	BASE ASSEMBLY (INCLUDES 6, 7, 8, 9, 16, 17,18, & 26.)
21	3359452	NUT, LOCK (3/8-16) (2)
22	389102	FOOT, FRONT (2)
23	356934	SEAL, CENTERPOST (2)
24	285203	CENTERPOST BEARING KIT (INCLUDES 13, 14 & 23)
25	63134	RING, SOUND DEADENING
26	63806	RETAINER, SUSPENSION SPRING

7MLSR8534MQ0 MOTOR

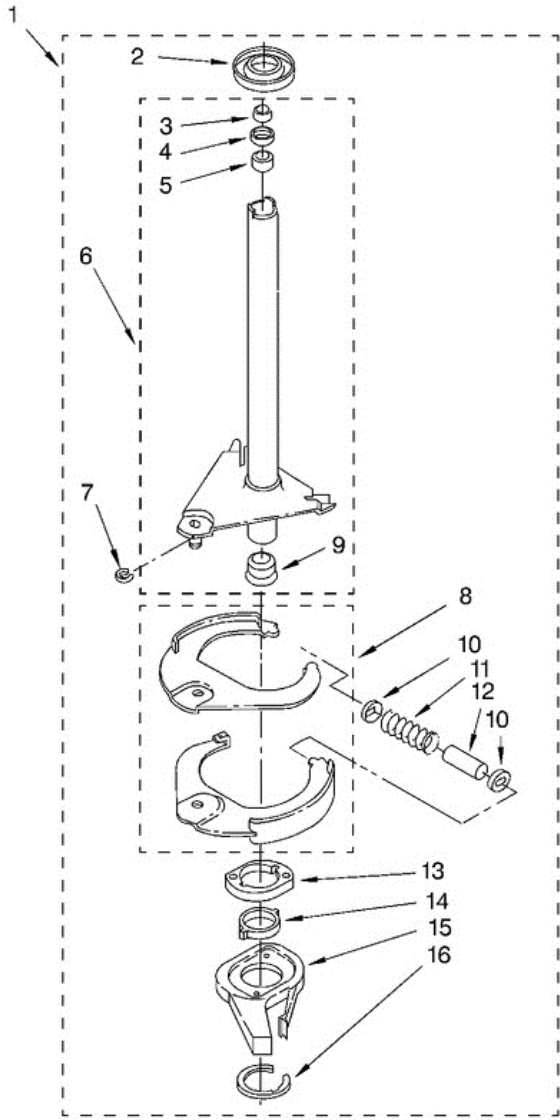




7MLSR8534MQ0 MOTOR

1	388952	BRAKE & DRIVE TUBE (COMPLETE)
2	63292	WASHER, SPIN TUBE THRUST
3	62697	RING, SPIN TUBE SUPPORT
4	63283	RING, RETAINER
5	3951311	CLUTCH (COMPLETE)
6	3951308	BAND & LINING, CLUTCH (INCLUDES ILLUS. 7 & 8)
7	62646	CAP, CLUTCH SPRING (2)
8	3946792	SPRING, CLUTCH
9	8532118	GEARCASE (COMPLETE)
10	3357334	SCREW, GEARCASE TO BASE (3)
11	62611	PLATE, MOTOR MOUNT TO GEARCASE
12	62691	GROMMET, MOTOR (4)
13	285753	COUPLING, MOTOR & ISOLATION
15	3355454	CLIP, ANTI-RATTLE
16	3400516	SCREW
17	3349637	RETAINER, MOTOR (2)
18	3362089	SHIELD, TUB TO MOTOR
19	8528157	MOTOR, MAIN DRIVE
20	3952056	SWITCH, MAIN DRIVE MOTOR
21	62700	RETAINER, PUMP (2)
22	3363394	PUMP (COMPLETE)
23	3387485	SCREW, 10-16 X 5/8
24	8316060	SHIELD, MOTOR

7MLSR8534MQ0 FLECHA HUECA

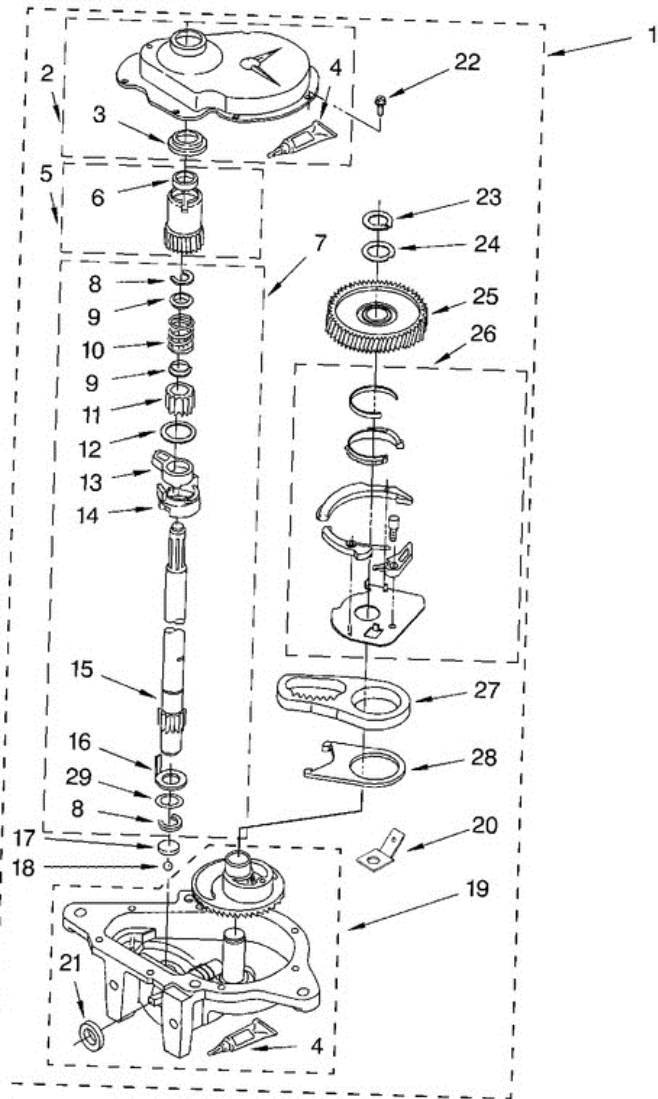




7MLSR8534MQ0 FLECHA HUECA

1	388952	BRAKE AND DRIVE TUBE (COMPLETE)
2	62658	RING, THRUST
3	91939	SEAL. OIL
4	356427	SEAL, DRIVE TUBE
5	356937	SPACER, DRIVE TUBE
6	64027	TUBE, BASKET DRIVE (INCLUDES ILLUS. 3, 4, 5 & 9)
7	64035	RING, RETAINING
8	64232	SHOE, BRAKE
9	62703	``T`` BEARING, SPIN TUBE
10	62648	CAP, BRAKE SPRING (2)
11	387806	SPRING, BRAKE
12	62909	SLEEVE, BRAKE SPRING
13	63023	CAM, BRAKE RELEASE
14	63022	SLEEVE, CAM
15	64194	DRIVER, BRAKE CAM
16	285208	LUBRICANT
16	90368	RING, RETAINING

7MLSR8534MQ0 TRANSMISION

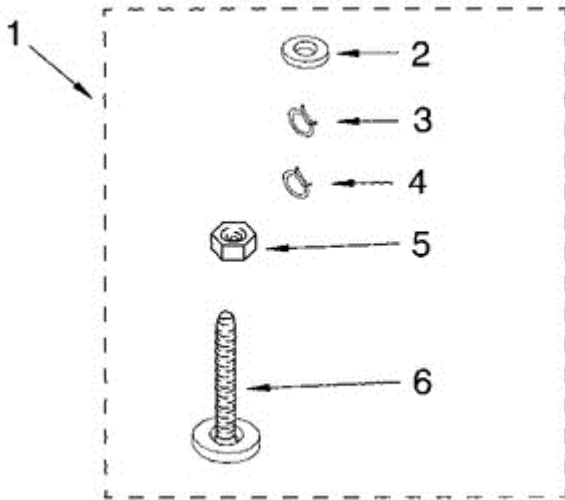




7MLSR8534MQ0 TRANSMISION

1	8532118	GEARCASE (COMPLETE)
2	285202	COVER, GEARCASE
3	3349985	SEAL, GEARCASE COVER
4	285195	SEALER, GASKET (.20 FL. OZ.) (6 ML)
5	63320	PINION, SPIN (INCLUDES ITEM 25)
6	356427	SEAL, SPIN PINION
7	389387	SHAFT, AGITATOR (COMPLETE)
8	90369	RING, RETAINING (2)
9	62677	RETAINER, SPRING (2)
10	62676	SPRING, AGITATE
11	63273	GEAR, AGITATE (INCLUDES 15 & 29)
12	62619	WASHER, AGITATE GEAR
13	62580	CAM FOLLOWER (INCLUDES 14)
14	62581	CAM, AGITATE (INCLUDES 13)
15	285509	SHAFT, AGITATOR (INCLUDES 11 & 29)
16	62618	WASHER, CAM THRUST
17	16018	BEARING, THRUST (INCLUDES 18)
18	85529	BALL, BEARING (INCLUDES 17)
19	389230	BOTTOM AND PINION, GEARCASE
20	3949116	BLOCK TAB, TERMINAL
21	285352	SEAL, THRUST PLUG
22	3351614	SCREW, GEARCASE COVER MOUNTING
23	3362552	RING, RETAINING
24	285735	WASHER KIT, THRUST
25	62570	GEAR, SPIN
26	388253	NEUTRAL ASSEMBLY
27	3349296	RACK, CONNECTING
28	62621	ACTUATOR, SHIFT
29	388815	WASHER, INTERMEDIATE

7MLSR8534MQ0 PATA



1	3976263	MISCELLANEOUS PARTS BAG
2	3976300	WASHER, INLET HOSE (1-1/16 X 5/8) (4)
3	3366912	CLAMP, HOSE
4	3366913	CLAMP, HOSE
5	3359452	NUT, LOCK (3/8-16)
6	389102	FOOT, FRONT (2)