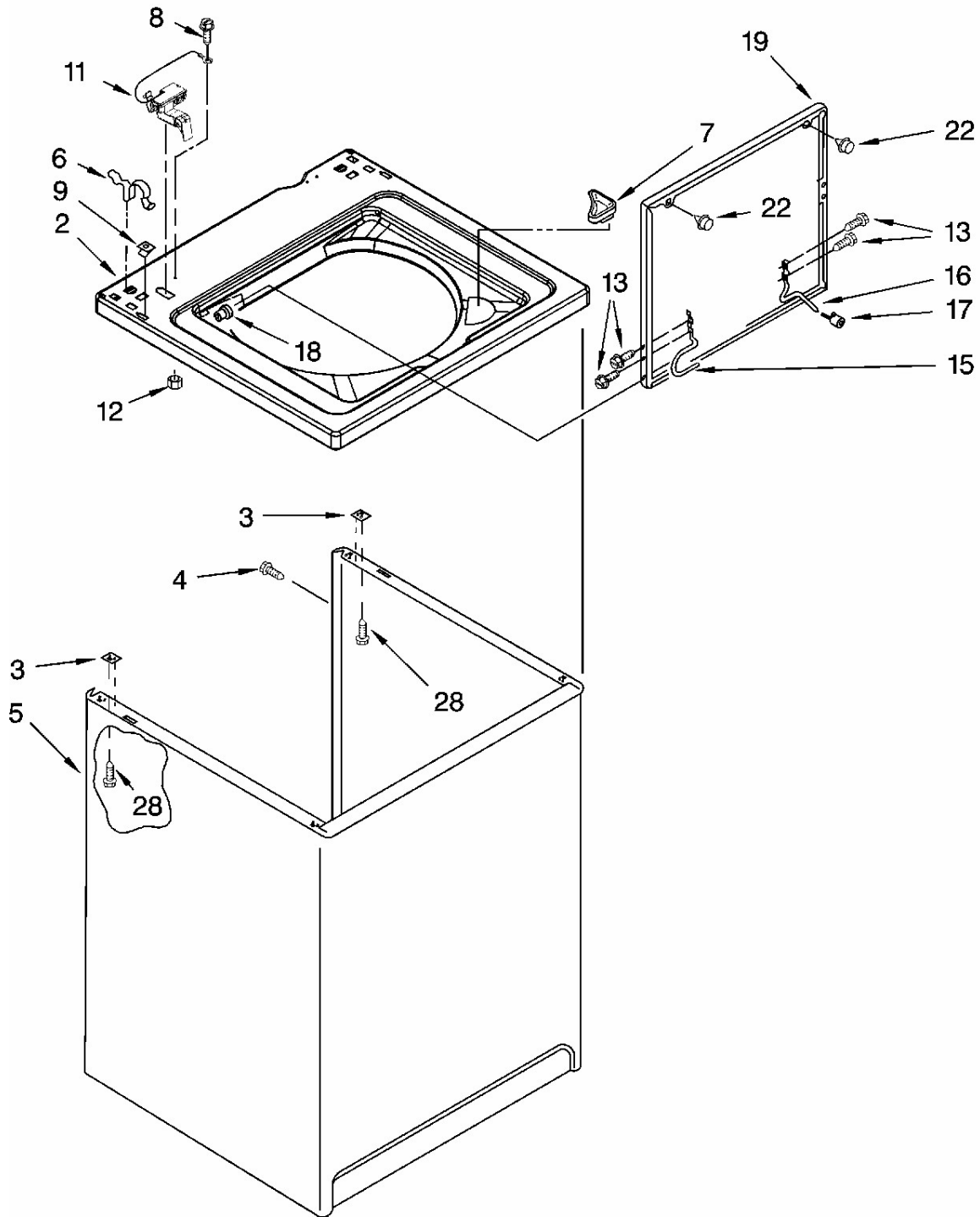


# LAVADORA 7MLSR8534PW0

arca	Whirlpool
Capacidad	11 Kg
Color	Blanco
<b>TOP AND CABINET</b>	



**Nota:** La imagen mostrada en este explosionado puede no ser idéntica a la pieza real del aparato, mas sin embargo el número de parte mostrado en el listado corresponde a la pieza real del aparato.

# LAVADORA 7MLSR8534PW0

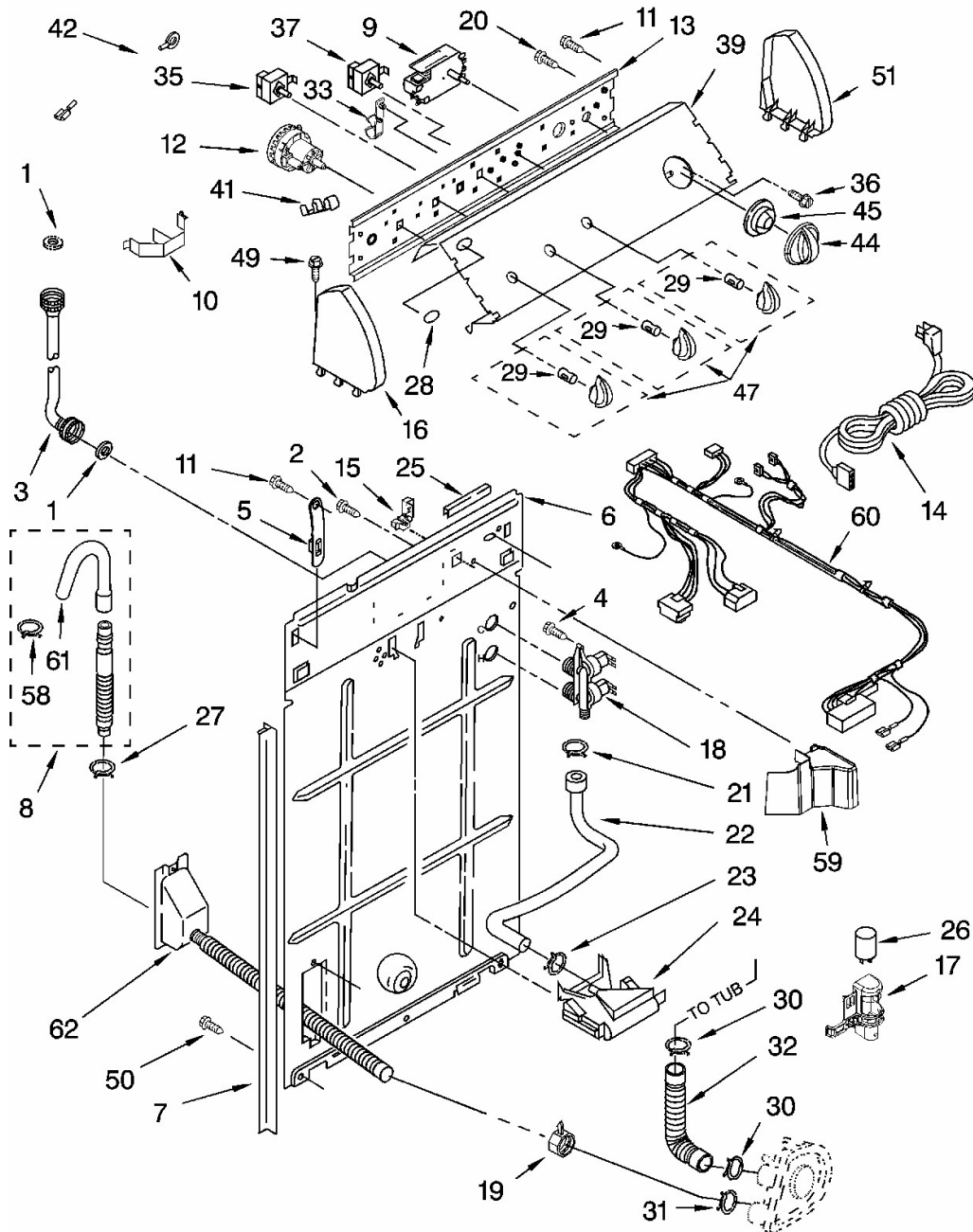
Arca		Whirlpool	
Capacidad		11 Kg	
Color		Blanco	
R e f	Descripción	C a n t	Numero de Parte
<b>TOP AND CABINET</b>			
2	Top (White)	1	8318064
	Top (Biscuit)	*	8318066
3	Spacer, Cabinet To Top (4)	4	62750
4	Screw, 10-16 x 1/2	1	308685
5	Cabinet (White)	1	63424
	Cabinet (Biscuit)	*	3954357
6	Clip, Top & Cabinet & Rear Panel (2)	2	62780
7	Dispenser, Bleach	1	3362952
8	Screw, Ground	1	3351614
9	Nut, Push-In (2)	2	357213
11	Switch, Lid	1	8318084
12	Nut, Hex	1	680762
13	Screw, Lid Hinge Mounting (4)	4	355274
15	Hinge, Lid (L.H.)	1	8318088
16	Hinge, Lid (R.H.)	1	54583
17	Bumper, Lid Hinge	1	19119
18	Bearing, Lid Hinge (2)	2	21258
19	Lid (White)	1	8557513
	Lid (Biscuit)	*	8557514
22	Bumper, Lid (2)	2	9724509
28	Screw, 10-16 x 1/2 (4)	4	9420601

# LAVADORA 7MLSR8534PW0

arca  
Capacidad  
Color

Whirlpool  
11 Kg  
Blanco

## CONTROLS AND REAR PANEL



**Nota:** La imagen mostrada en este explosionado puede no ser idéntica a la pieza real del aparato, mas sin embargo el número de parte mostrado en el listado corresponde a la pieza real del aparato.

# LAVADORA 7MLSR8534PW0

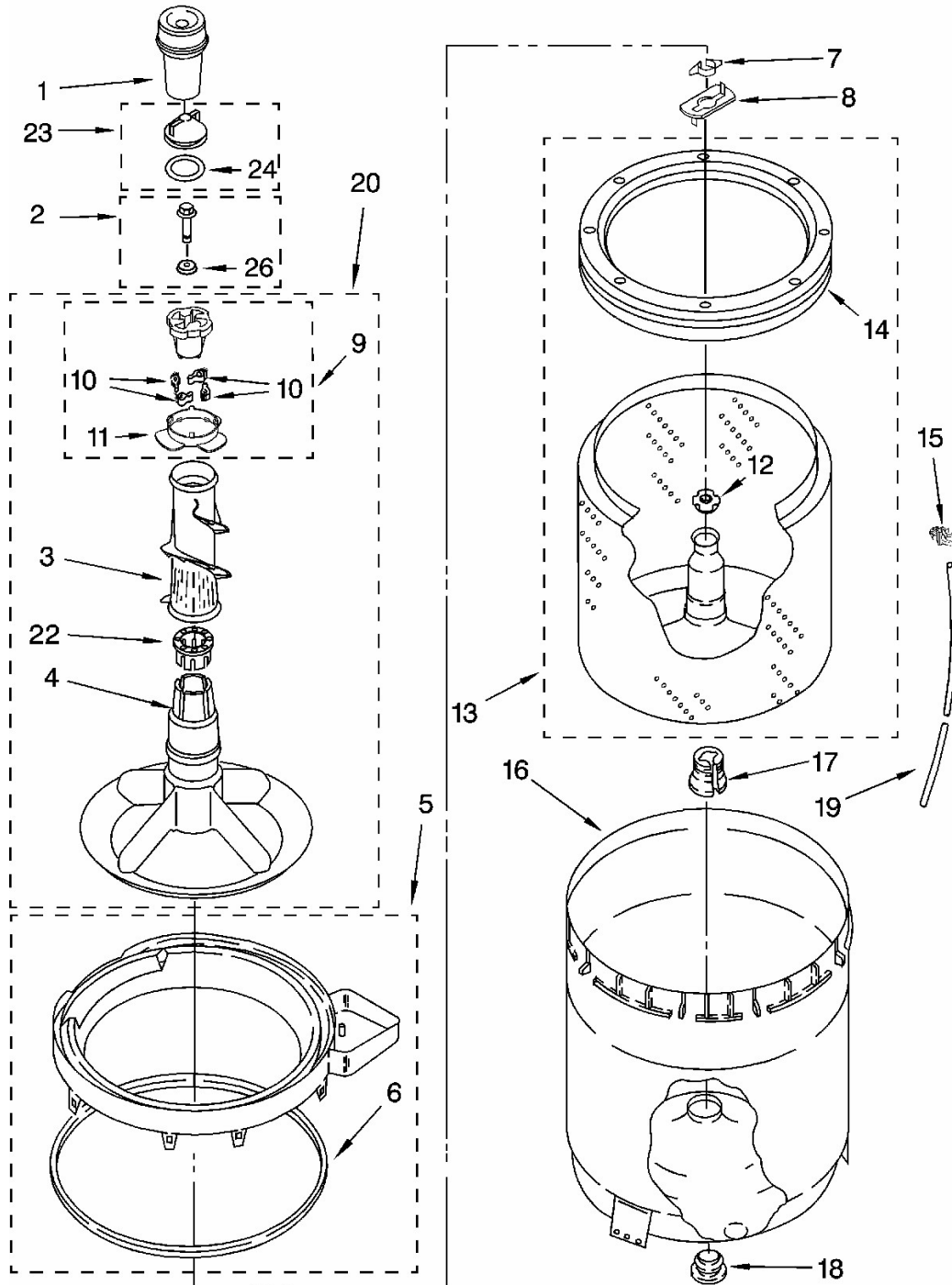
arca		Whirlpool	
Capacidad		11 Kg	
Color		Blanco	
R e f	Descripción	C a n t	Numero de Parte
<b>CONTROLS AND REAR PANEL</b>			
1	Washer, Water Inlet Hose (4) (1-1/16 x 5/8)	4	16123
2	Screw, Ground	1	3351614
3	Hose, Water Inlet (2) (Red Coupling)	2	89503
	Hose, Water Inlet (2) (Blue Coupling)	2	89503
4	Screw, 8-18 x 1/2	1	9740848
5	Strap, Console (2)	2	8568314
6	Panel, Rear	2	8318405
7	Pad, Rear Panel	1	62747
8	Hose, Drain (4')	2	285664
	Hose, Drain (9') (Not Included)	*	285666
	Extension Drain Hose (21 Inches) (Not Included.)	*	285702
9	Timer, Control (60 Hz.) (Motor Not A Service Part)	1	3949208
10	Clip, Harness & Pressure Hose	1	8055003
11	Screw, 8-18 x 3/8	1	90767
12	Switch, Water Level	1	3366847
13	Bracket, Control	1	8544893
14	Cord, Power (Includes Item 15)	1	8532158
15	Strain Relief, Power Cord	1	285777
16	Cap, End (L.H.) (White)	1	279962
	Cap, End (L.H.) (Biscuit)	*	8314852
17	Clip, Capacitor	1	8318046
18	Valve, Water Mixing	1	285805
19	Clamp, Hose	1	3976395
20	Screw, Ground	1	3179795
21	Clamp, Hose	1	596669
22	Hose, Vacuum Break	1	3357328
23	Clamp, Hose	1	596669
24	Break, Vacuum	1	3360977
25	Edge Protector	1	3367669
26	Capacitor, Motor Start	1	661606
27	Clamp, Hose	1	356138
28	Medallion	1	3400985
29	Clip, Knob	1	8536939
30	Clamp, Hose	1	616099
31	Clamp, Hose	1	285655
32	Hose, Pump To Tub	1	285871
33	Retainer, Harness	1	8317975
35	Switch, Water Temperature	1	661612
36	Screw, Timer Mounting	1	3400818
37	Switch, Rotary	1	3949188

# LAVADORA 7MLSR8534PW0

Arca		Whirlpool	
Capacidad		11 Kg	
Color		Blanco	
R e f	Descripción	C a n t	Numero de Parte
<b>CONTROLS AND REAR PANEL</b>			
39	Panel, Console (Includes Item 28) (White)	1	8539642
	Panel, Console (Includes Item 28) (Biscuit)	1	8539644
	Panel, Console (Includes Item 28) (Silver)	1	8539643
41	Clip, Grounding	1	357572
42	Wire, Ground	1	3395559
44	Knob, Timer (White)	1	8544943
	Knob, Timer (Biscuit)	1	8544944
	Knob, Timer (Silver)	1	8544945
45	Dial, Timer (White)	1	8544947
	Dial, Timer (Biscuit)	1	8544948
47	Knob, Control (White)	1	8544935
	Knob, Control (Biscuit)	1	8544936
	Knob, Control (Silver)	1	8544937
49	Screw, 8-18 x 1.25 (Panel to Top)	1	388326
50	Screw, 10-16 x 3/8	1	9420601
51	Cap, End (R.H.) (White)	1	279962
	Cap, End (R.H.) (Biscuit)	1	8314851
58	Clamp, Drain Hose	1	3357331
59	Shield, Inlet Valve	1	8314879
60	Harness, Wiring (For Detail See Pages 9 & 10)	1	3956729
61	Nozzle-Drain Hose	1	3357027
62	Drain Hose Assembly	1	8317940

# LAVADORA 7MLSR8534PW0

arca	Whirlpool
Capacidad	11 Kg
Color	Blanco
<b>AGITATOR, BASKET AND TUB</b>	



**Nota:** La imagen mostrada en este explosionado puede no ser idéntica a la pieza real del aparato, mas sin embargo el número de parte mostrado en el listado corresponde a la pieza real del aparato.

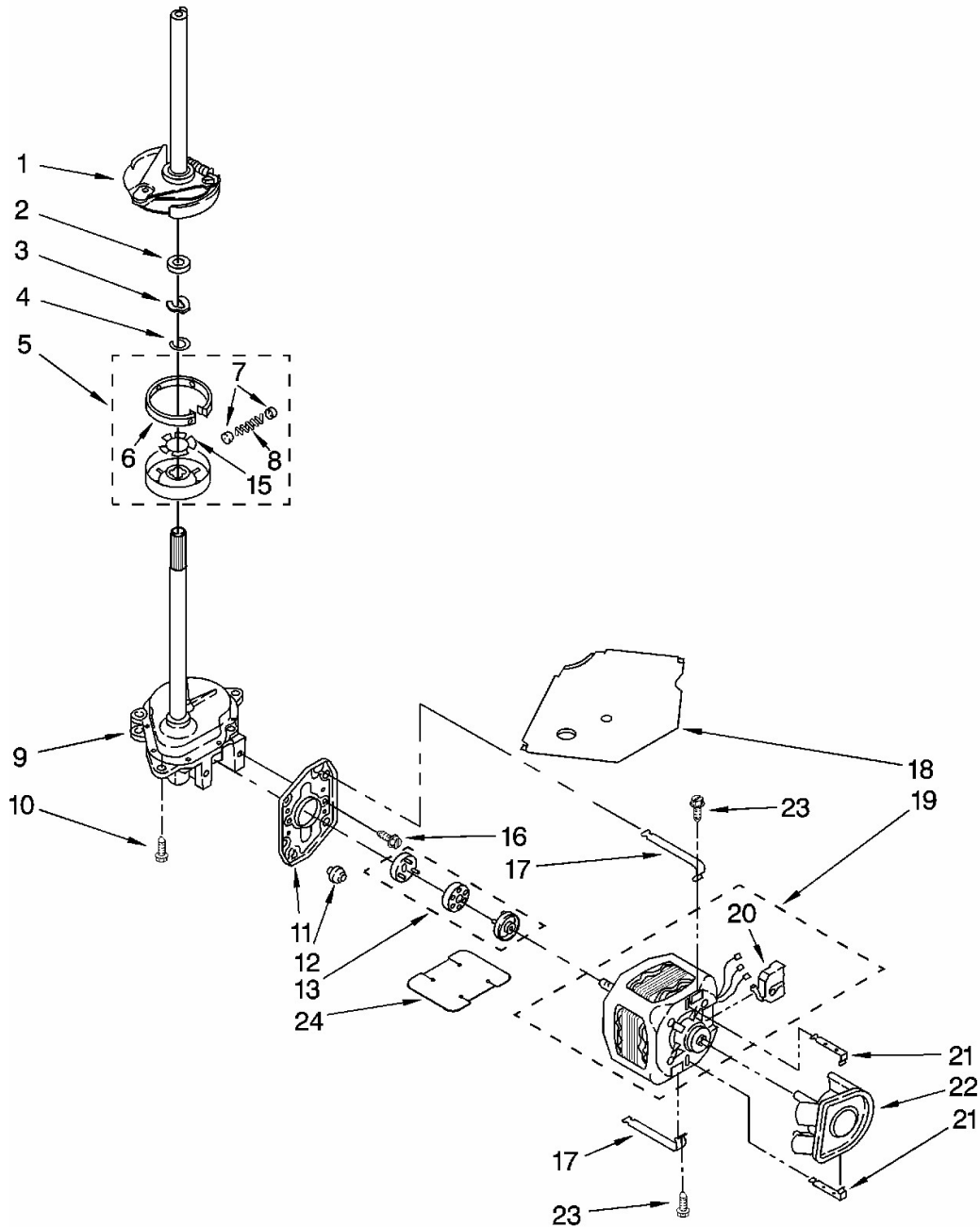
# LAVADORA 7MLSR8534PW0

Arca		Whirlpool	
Capacidad		11 Kg	
Color		Blanco	
R e f	Descripción	C a n t	Numero de Parte
<b>AGITATOR, BASKET AND TUB</b>			
1	Dispenser Fabric Softener	1	63580
2	Screw & Washer (5/16-24 x 1)	1	285009
3	Clothes Mover	1	3363003
4	Agitator	1	3347288
5	Tub Ring & Gasket	1	8528150
6	Gasket, Tub Ring	1	3976308
7	Clip, Agitator	1	3354845
8	Washer, Agitator	1	3355921
9	Cam Driven	1	285746
10	Dog, Agitator Clutch	1	285751
11	Bearing-Driven Cam	1	3363661
12	Nut, Spanner	1	21366
13	Basket & Balance Ring	1	8526017
14	Balance Ring	1	8519788
15	Clip, Pressure Switch Hose	1	2219077
16	Tub	1	63849
17	Block, Basket Drive	1	389140
18	Gasket, Centerpost	1	383727
19	Hose, Pressure Switch	1	353244
20	Agitator (Complete)	1	3946501
22	Spacer, Thrust	1	285587
23	Cap, Barrier	1	285551
24	Seal, Inner Cap	1	3348855
26	Washer	1	3949550

# LAVADORA 7MLSR8534PW0

arca	Whirlpool
Capacidad	11 Kg
Color	Blanco

## BRAKE, CLUTCH, GEARCASE, MOTOR AND PUMP



**Nota:** La imagen mostrada en este explosionado puede no ser idéntica a la pieza real del aparato, mas sin embargo el número de parte mostrado en el listado corresponde a la pieza real del aparato.

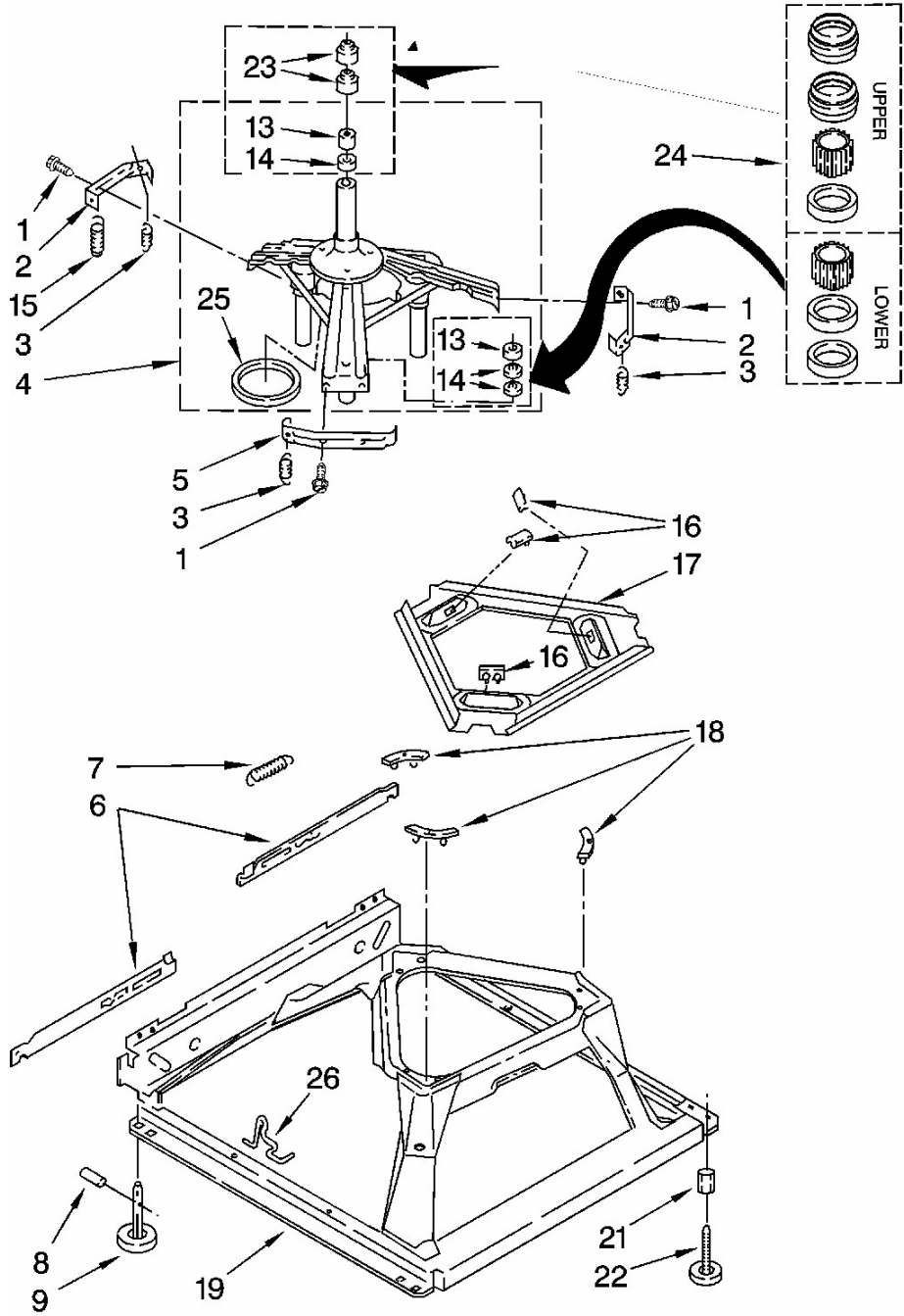


# LAVADORA 7MLSR8534PW0

Arca		Whirlpool	
Capacidad		11 Kg	
Color		Blanco	
R e f	Descripción	C a n t	Numero de Parte
<b>BRAKE, CLUTCH, GEARCASE, MOTOR AND PUMP</b>			
1	Brake & Drive Tube (Complete) (Refer to Page 11 For Further Break	1	285792
2	Washer, Spin Tube Thrust	1	63292
3	Ring, Spin Tube Support	1	62697
4	Ring, Retainer	1	285353
5	Clutch (Complete)	1	285785
6	Band & Lining, Clutch (Includes Illus. 7 & 8)	1	285790
7	Cap, Clutch Spring (2)	2	62646
8	Spring, Clutch	1	3946792
9	Gearcase (Complete) (Refer To Page 12 For Further Breakdown)	1	8532118
10	Screw, Gearcase To Base (3)	3	3400516
11	Plate, Motor Mount To Gearcase	1	62611
12	Grommet, Motor (4)	4	62691
13	Coupling, Motor & Isolation	1	285753
15	Clip, Anti-Rattle	1	3355454
16	Screw	1	3400516
17	Retainer, Motor (2)	2	3349637
18	Shield, Tub To Motor	1	3362089
19	Motor, Main Drive	1	389248
20	Switch, Main Drive Motor	1	3952056
21	Retainer, Pump (2)	2	8546127
22	Pump (Complete)	1	3363394
23	Screw, 10-16 x 5/8	1	273556
24	Shield, Motor	1	3946532

# LAVADORA 7MLSR8534PW0

arca	Whirlpool
Capacidad	11 Kg
Color	Blanco
<b>MACHINE BASE</b>	



**Nota:** La imagen mostrada en este explosionado puede no ser idéntica a la pieza real del aparato, mas sin embargo el número de parte mostrado en el listado corresponde a la pieza real del aparato.

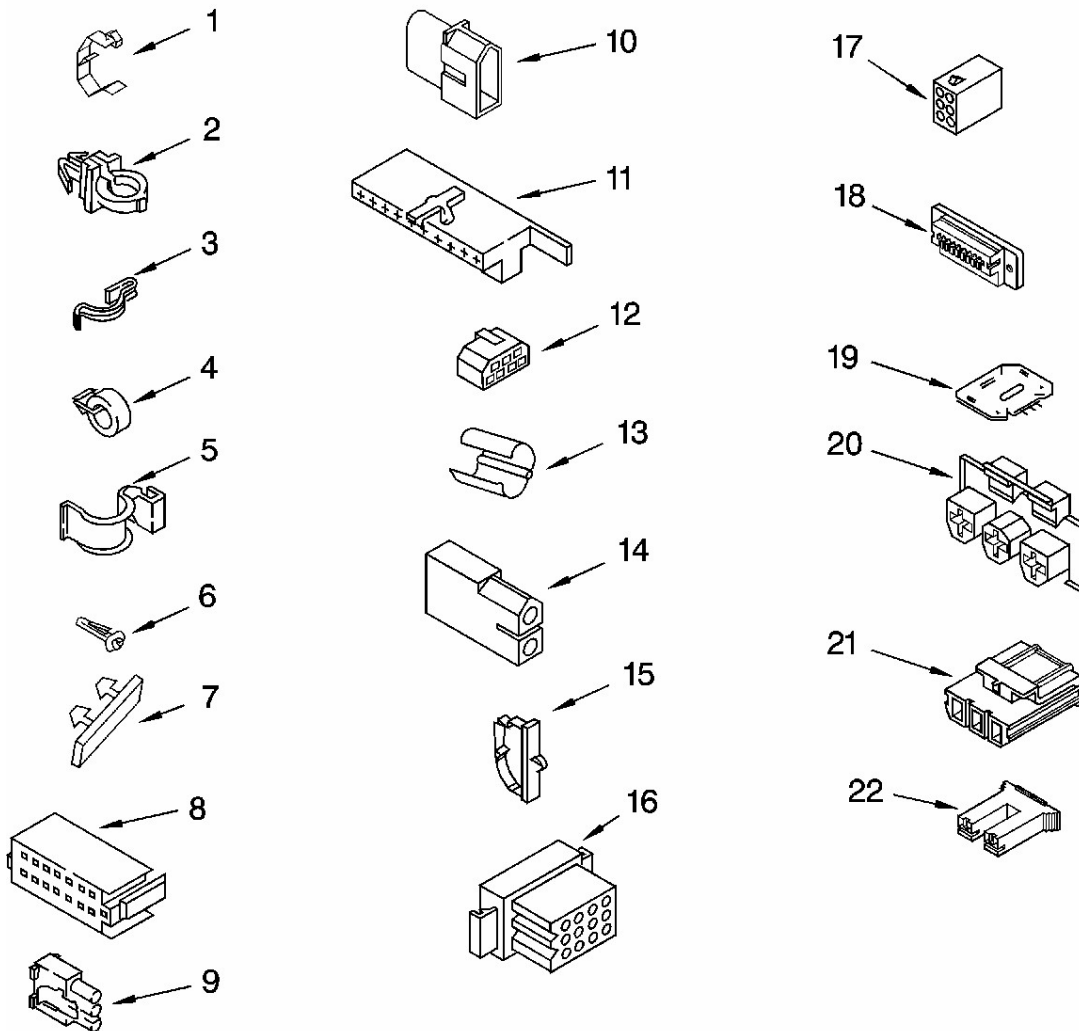
# LAVADORA 7MLSR8534PW0

arca		Whirlpool	
Capacidad		11 Kg	
Color		Blanco	
R e f	Descripción	C a n t	Numero de Parte
<b>MACHINE BASE</b>			
1	Screw, Bracket Mounting (10-32 x 5/8)	1	3400076
2	Bracket, Spring Outer (2)	2	64067
3	Spring Suspension,(3)	3	63907
4	Support & Brake, Tub	1	3362087
5	Bracket, Spring Outer (L.F.)	1	64065
6	Link, Leveling Mechanism (2)	2	63466
7	Spring, Leveling Mechanism	1	8316845
8	Pin, Knurled	1	62837
9	Foot, Rear (2)	2	285244
13	Bearing, Centerpost (2)	2	359398
14	Seal, Centerpost (3)	3	359449
15	Spring, Counterweight	1	388492
16	Pad, Plate	1	285219
17	Plate, Suspension (Includes Illus. 16)	1	3946509
18	Pad, Base	1	285744
19	Base Assembly (Includes Illus. 6, 7, 8, 9, 16, 17, 18, & 26 )	1	285771
21	Nut, Lock (2) (3/8-16)	2	3359452
22	Foot, Front (2)	2	389102
23	Seal, Centerpost (2)	2	356934
24	Centerpost Bearing Kit (Includes Illus. 13, 14 & 23)	1	285203
25	Ring, Sound Deadening	1	63134
26	Retainer, Suspension Spring	1	63806

# LAVADORA 7MLSR8534PW0

marca	Whirlpool
capacidad	11 Kg
Color	Blanco

## WIRING HARNESS



**Nota:** La imagen mostrada en este explosionado puede no ser idéntica a la pieza real del aparato, mas sin embargo el número de parte mostrado en el listado corresponde a la pieza real del aparato.

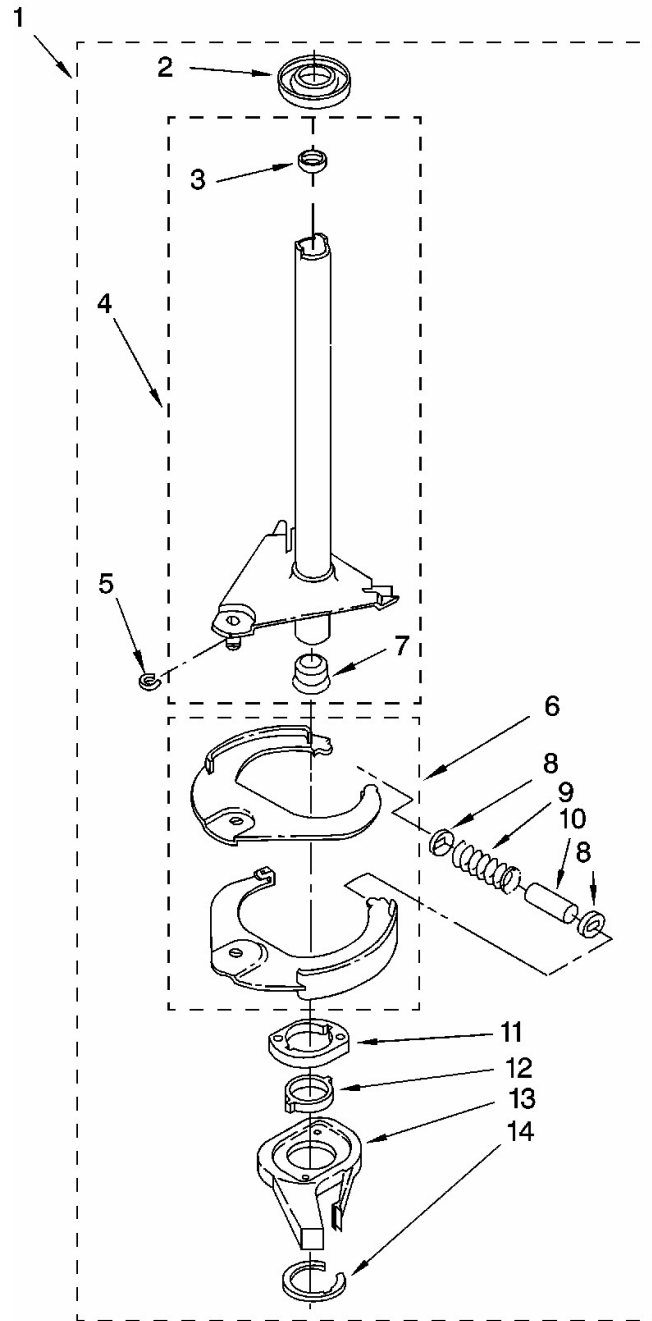
# LAVADORA 7MLSR8534PW0

arca		Whirlpool	
Capacidad		11 Kg	
Color		Blanco	
R e f	Descripción	C a n t	Numero de Parte
<b>WIRING HARNESS</b>			
1	Clip, Harness	1	3349557
2	Clip, Harness	1	388498
3	Clip, Harness	1	8528351
4	Clip, Harness	1	8559320
5	Clip, Harness	1	90016
6	Clip, Harness	1	8281256
7	Retainer, (Suds Models)	1	389379
8	Timer, Block Disconnect (White)	1	3948614
	Timer, Block Disconnect (Black)	*	352089
9	Receptacle, Terminal (3-Way) (Lid Switch) (Use Term.94613) Or 94	1	62889
10	Plug, Terminal (3-Way) (Power Cord) (Use Term.94613)	1	353424
11	Block, Disconnect (Motor 2 Speed) (Use Term.352088)	1	62505
12	Block, Disconnect (Use Term. 352088)	1	3347243
13	Protector	1	63523
14	Connector (2-Way) (Use Term.94614)	1	717252
15	Clip, Harness	1	3352944
16	Block, Disconnect (12-Way) (Timer) (Use Term. 94613)	1	3390423
17	Receptacle (6-Way) (Use Term. 94613)	1	3347730
18	Connector, Etc	1	3349494
19	E.T.C. Control	1	3955728
20	Connector (T.P.A.) (3-Circuit) (Lid Switch)	1	3948617
21	Connector (T.P.A.) (3-Circuit) (Pressure Switch)	1	3360056
22	Block, Connector (Cold Valve)	1	3354925
	Block, Connector (Hot Valve)	1	3354926

# LAVADORA 7MLSR8534PW0

arca	Whirlpool
Capacidad	11 Kg
Color	Blanco

## BRAKE AND DRIVE TUBE



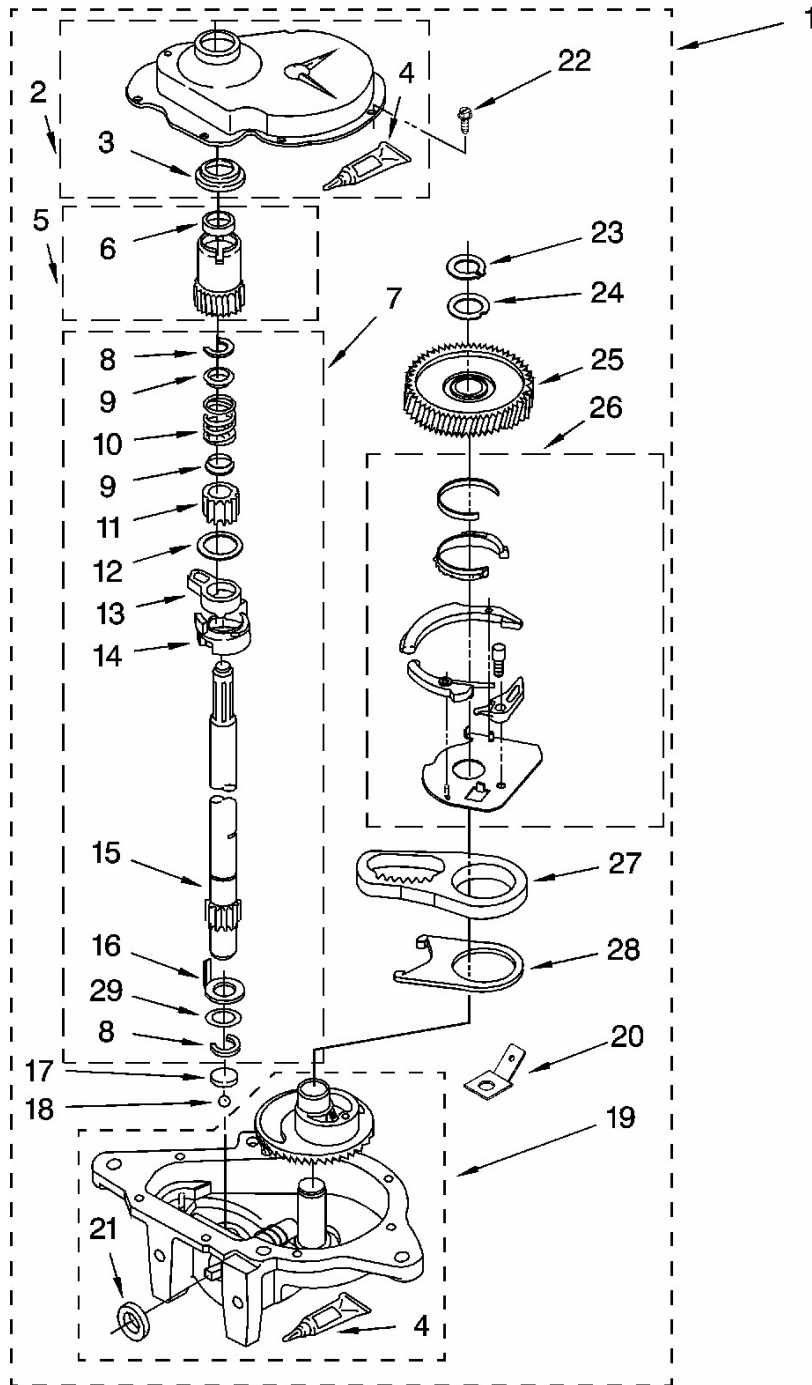
**Nota:** La imagen mostrada en este explosionado puede no ser idéntica a la pieza real del aparato, mas sin embargo el número de parte mostrado en el listado corresponde a la pieza real del aparato.

# LAVADORA 7MLSR8534PW0

Arca		Whirlpool	
Capacidad		11 Kg	
Color		Blanco	
R e f	Descripción	C a n t	Numero de Parte
<b>BRAKE AND DRIVE TUBE</b>			
2	Ring, Thrust	1	62658
3	Seal, Drive Tube	1	356427
4	Tube, Basket Drive (Includes Illus. 3, 4, 5 & 9)	1	64208
5	Ring, Retaining	1	64035
6	Shoe, Brake (2)	2	285438
7	Ball Bearing, Spin Tube	1	62703
8	Cap, Brake Spring (2)	2	285658
9	Spring, Brake	1	387806
10	Sleeve, Brake Spring	1	285658
11	Cam, Brake Release	1	661516
12	Sleeve, Cam	1	63022
13	Driver, Brake Cam	1	285790
14	Ring, Retaining	1	90368

# LAVADORA 7MLSR8534PW0

arca	Whirlpool
Capacidad	11 Kg
Color	Blanco
<b>GEARCASE</b>	



**Nota:** La imagen mostrada en este explosionado puede no ser idéntica a la pieza real del aparato, mas sin embargo el número de parte mostrado en el listado corresponde a la pieza real del aparato.



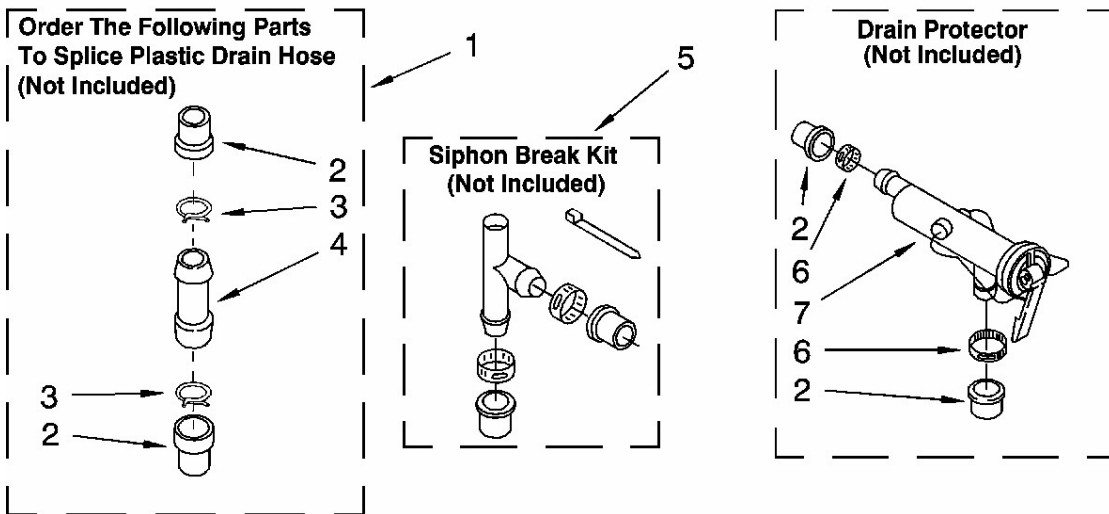
# LAVADORA 7MLSR8534PW0

arca		Whirlpool	
Capacidad		11 Kg	
Color		Blanco	
R e f	Descripción	C a n t	Numero de Parte
<b>GEARCASE</b>			
1	Gearcase (Complete)	1	8532118
2	Cover, Gearcase	1	285202
3	Seal, Gearcase Cover	1	3349985
4	Sealer, Gasket (.20 Fl. Oz.) (6 ml)	1	285195
5	Pinion, Spin (Includes Illus. 25)	1	285362
6	Seal, Spin Pinion	1	356427
7	Shaft, Agitator (Complete)	1	389387
8	Ring, Retaining (2)	2	90369
9	Retainer, Spring (2)	2	62677
10	Spring, Agitate	1	62676
11	Gear, Agitate (Includes 15 & 29)	1	285509
12	Washer, Agitate Gear	1	62619
13	Cam Follower (Includes 14)	1	285206
14	Cam, Agitate (Includes 13)	1	285206
15	Shaft, Agitator (Includes 11 & 29)	1	285509
16	Washer, Cam Thrust	1	62618
17	Bearing, Thrust (Includes 18)	1	285205
18	Ball, Bearing (Includes 17)	1	285205
19	Bottom and Pinion, Gearcase	1	285515
20	Block Tab, Terminal	1	3949116
21	Seal, Thrust Plug	1	285352
22	Screw, Gearcase Cover Mounting (8) (10-24 x 3/8)	8	3351614
23	Ring, Retaining	1	285765
24	Washer Kit, Thrust	1	285766
25	Gear, Spin	1	285362
26	Neutral Assembly	1	388253
27	Rack, Connecting	1	3949609
28	Actuator, Shift	1	62621
29	Washer, Intermediate	1	388815

# LAVADORA 7MLSR8534PW0

marca	Whirlpool
Capacidad	11 Kg
Color	Blanco

## WATER SYSTEM



**Nota:** La imagen mostrada en este explosionado puede no ser idéntica a la pieza real del aparato, mas sin embargo el número de parte mostrado en el listado corresponde a la pieza real del aparato.

# LAVADORA 7MLSR8534PW0

<b>Arca</b>		<b>Whirlpool</b>	
<b>Capacidad</b>		<b>11 Kg</b>	
<b>Color</b>		<b>Blanco</b>	
<b>R</b>	<b>Descripción</b>	<b>C</b>	<b>Numero de Parte</b>
<b>e</b>		<b>a</b>	
<b>f</b>		<b>n</b>	
		<b>t</b>	
<b>WATER SYSTEM</b>			
1	Connector Kit, Plastic Drain Hose	1	285442
2	Sleeve Kit, (Contains 2 Sleeves)	1	285321
3	Clamp, Hose	1	285655
4	Connector, Straight	1	16272
5	Siphon Break Kit (Not Included)	*	285320
6	Clamp, Hose	1	285655
7	Drain Protector (Not Included)	*	367031
1	Miscellaneous Parts Bag	1	285654
2	Washer, Water Inlet Hose (4) (1-1/16 x 5/8)	4	16123
3	Clamp, Hose	1	356138
4	Clamp, Hose	1	3357331
5	Nut, Lock (2) (3/8-16)	2	3359452
6	Foot, Front (2)	2	389102