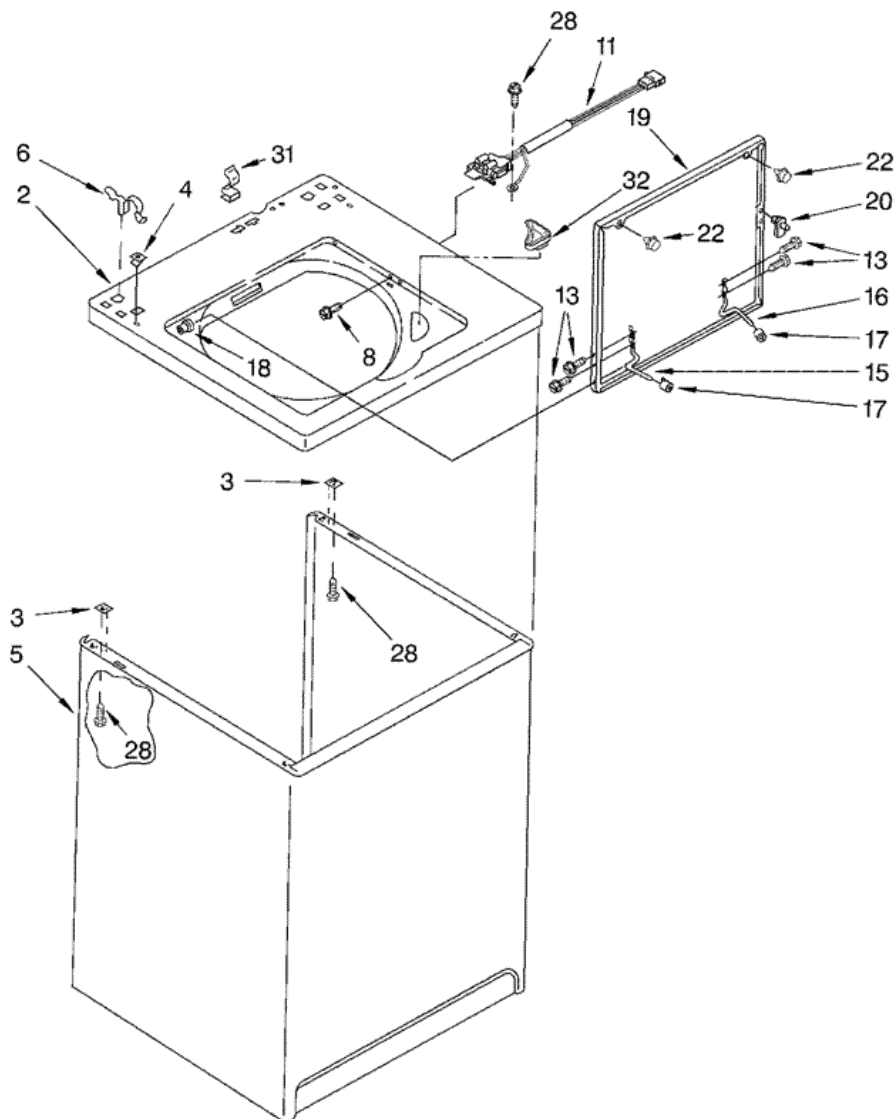


Distribuidor Autorizado

SurteRápido.com

Venta de Refacciones  
Electrodomesticas

## 7MLSR8544JT0 GABINETE





## 7MLSR8544JT0 GABINETE

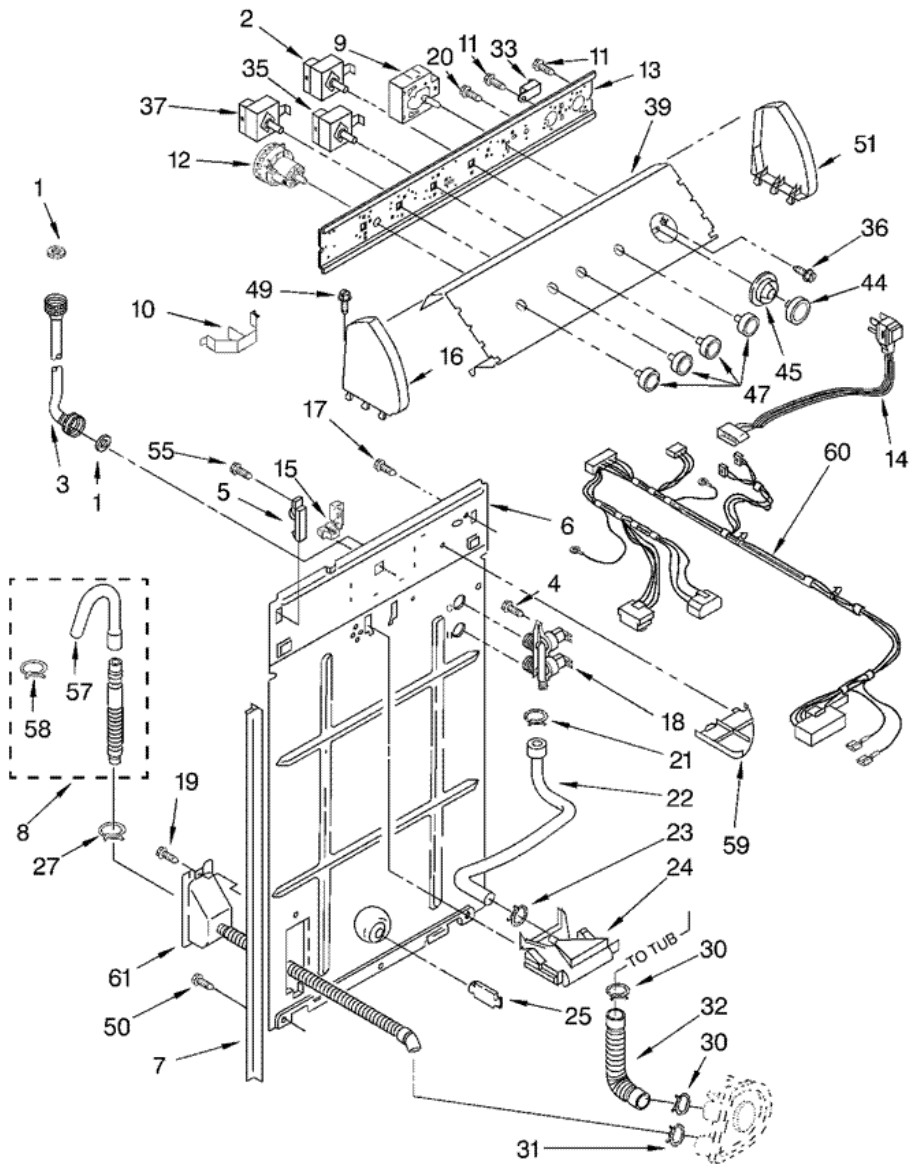
2	8271380	TOP <b>(S/P)</b>
3	62750	SPACER, CABINET TO TOP (4) <b>(S/P)</b>
4	357213	NUT, PUSH-IN (2) <b>(S/P)</b>
5	3954357	CABINET <b>(S/P)</b>
6	62780	CLIP, TOP & CABINET & REAR PANEL (2)
8	3356311	SCREW & WASHER, LID SWITCH (2) <b>(S/P)</b>
11	3949247	SWITCH, LID
13	3351355	SCREW, LID HINGE MOUNTING (4) <b>(S/P)</b>
15	54584	HINGE, LID (L.H.) <b>(S/P)</b>
16	54583	HINGE, LID (R.H.) <b>(S/P)</b>
17	19119	BUMPER, LID HINGE <b>(S/P)</b>
18	21258	BEARING, LID HINGE (2) <b>(S/P)</b>
19	3957508	LID <b>(S/P)</b>
20	358684	STRIKE, LID SWITCH
22	93770	BUMPER, LID (2)
28	3390631	SCREW, 10-16 X 3/8 (5) <b>(S/P)</b>
31	90016	CLIP, HARNESS <b>(S/P)</b>
32	3362952	DISPENSER, BLEACH

Distribuidor Autorizado

SurteRápido.com

Venta de Refacciones  
Electrodomesticas

## 7MLSR8544JT0 TABLERO



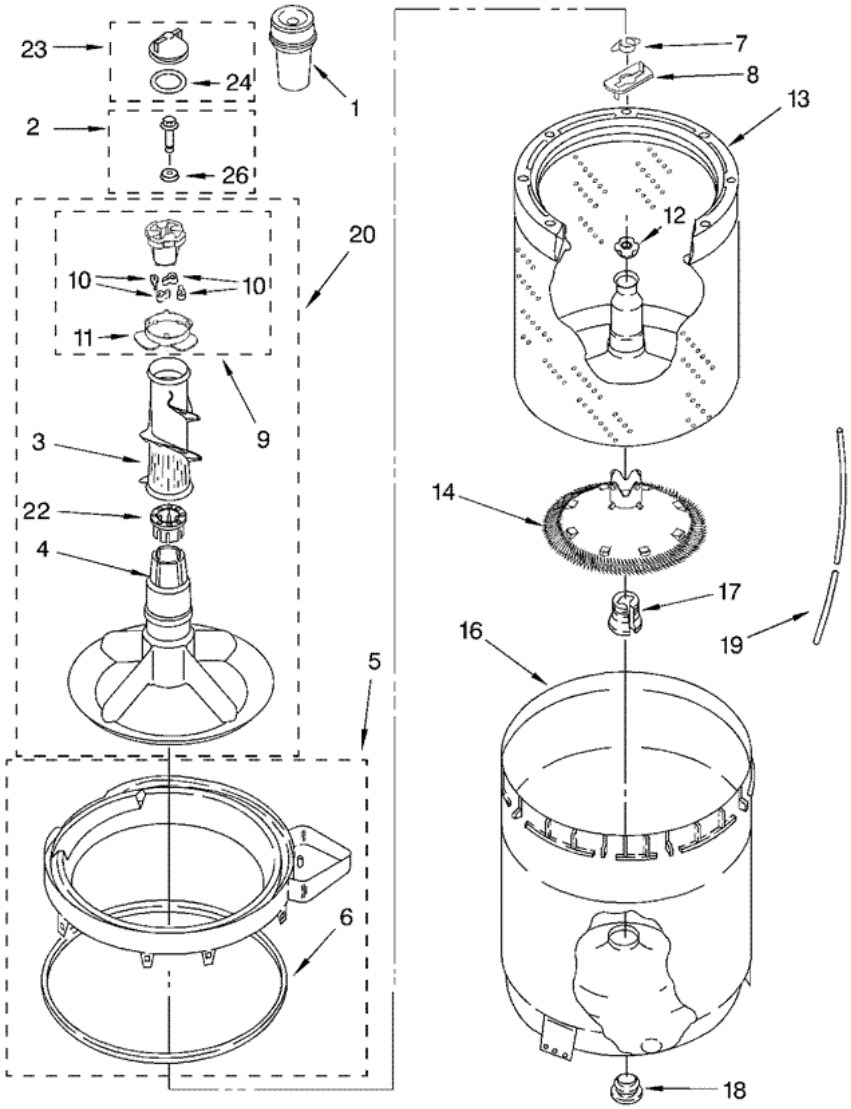


## 7MLSR8544JT0 TABLERO

1	16123	WASHER, WATER INLET HOSE (4) <b>(S/P)</b>
2	3949187	SWITCH, ROTARY <b>(S/P)</b>
3	89503	HOSE, WATER INLET (2) (BLUE COUPLER)
4	9740848	SCREW, 8-18 X 1/2 <b>(S/P)</b>
5	387402	HINGE, CONSOLE (2)
6	3357978	PANEL, REAR <b>(S/P)</b>
7	62747	PAD, REAR PANEL <b>(S/P)</b>
8	285702	EXTENSION DRAIN HOSE <b>(S/P)</b>
8	661577	HOSE, DRAIN (9 FT.) (NOT INCLUDED) <b>(S/P)</b>
8	285664	HOSE, DRAIN (4 FT.)
9	3951702	TIMER, CONTROL (60 HZ.)
10	8055003	CLIP, HARNESS & PRESSURE HOSE <b>(S/P)</b>
11	90767	SCREW 8AX 3/8 <b>(S/P)</b>
12	3366847	SWITCH, WATER LEVEL
13	3948608	BRACKET, CONTROL <b>(S/P)</b>
14	285800	CORD, POWER
15	3952821	STRAIN RELIEF, POWER CORD <b>(S/P)</b>
16	279965	CAP, END (L.H.) <b>(S/P)</b>
17	3351614	SCREW, GROUND <b>(S/P)</b>
18	285805	VALVE, WATER MIXING
19	3351614	SCREW, 10-24 X 3/8 <b>(S/P)</b>
20	3400073	SCREW <b>(S/P)</b>
21	596669	CLAMP, HOSE <b>(S/P)</b>
22	3357328	HOSE, VACUUM BREAK
23	596669	CLAMP, HOSE <b>(S/P)</b>
24	3360977	BREAK, VACUUM
25	8519200	SUPPORT, REAR PANEL
27	356138	CLAMP, HOSE <b>(S/P)</b>
30	616099	CLAMP, HOSE <b>(S/P)</b>
31	285655	CLAMP, HOSE <b>(S/P)</b>
32	285871	HOSE, PUMP TO TUB
33	694419	MINI, BUZZER <b>(S/P)</b>
35	661613	SWITCH, ROTARY

36	3400808	SCREW, TIMER MOUNTING (S/P)
37	661614	SWITCH, WATER TEMPERATURE (S/P)
39	3954194	PANEL, CONSOLE (S/P)
44	3957822	KNOB, TIMER
45	3957850	DIAL, TIMER
47	8271348	KNOB, CONTROL
49	388326	SCREW, 8-18 X 1.25 (PANEL TO TOP) (S/P)
50	62863	SCREW, 10-16 X 3/8 (S/P)
51	279965	CAP, END (R.H.) (S/P)
55	3390647	SCREW, 8-18 X 1/2 (S/P)
57	3357027	NOZZLE, HOSE DRAIN (S/P)
58	3357331	CLAMP, DRAIN HOSE (S/P)
59	8539874	SHEILD, SUDS (S/P)
60	3952574	HARNESS, WIRING (S/P)
61	8317940	HOSE-DRAIN CONNECTOR ASSY (S/P)

**7MLSR8544JT0 TINAS**

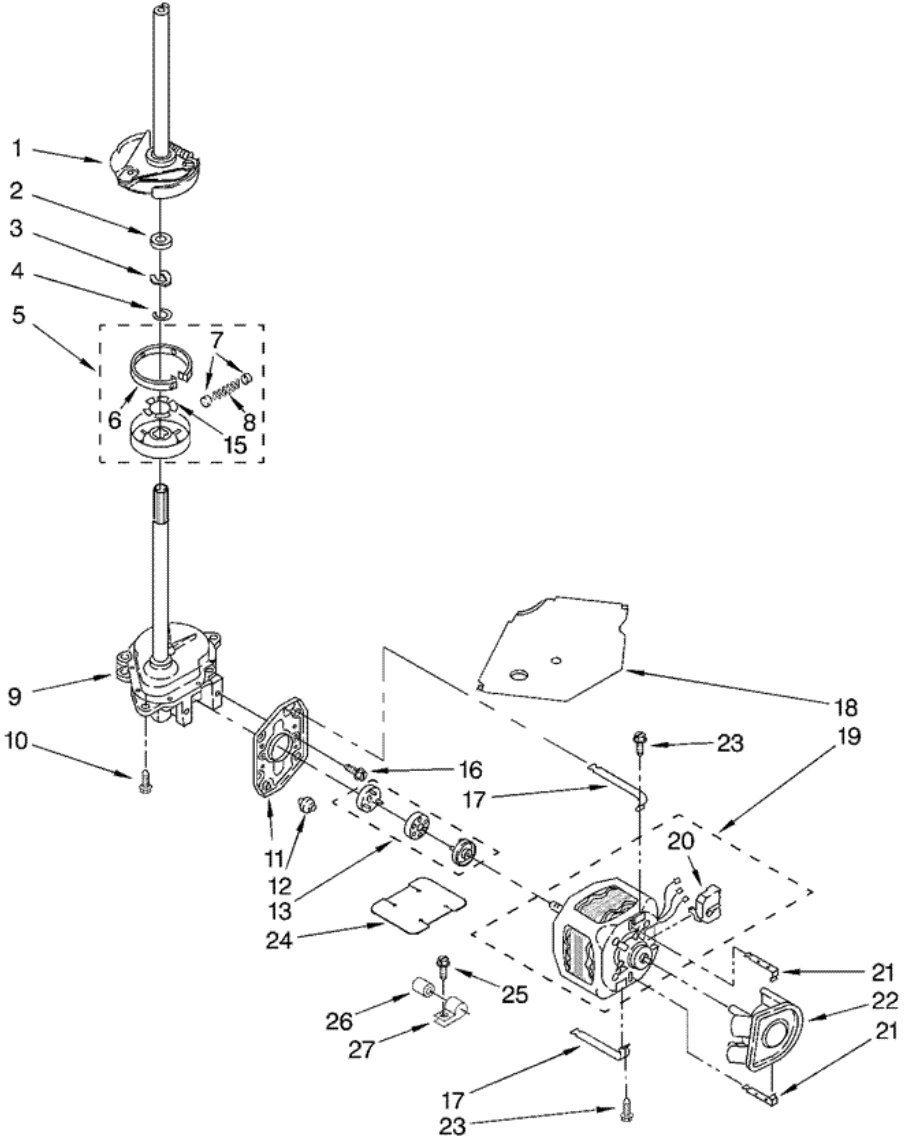




**7MLSR8544JT0 TINAS**

1	63580	DISPENSER
2	358237	SCREW & WASHER (5/16-24 X 1)
3	3951744	CLOTHES MOVER
4	3951744	AGITATOR
5	8528150	TUB RING & GASKET <b>(S/P)</b>
6	3976308	GASKET, TUB RING
7	3354845	CLIP, AGITATOR <b>(S/P)</b>
8	8543666	WASHER, AGITATOR <b>(S/P)</b>
9	285809	CAM DRIVEN
10	285770	DOG, AGITATOR CLUTCH
11	3952374	BEARING, DRIVEN CAM <b>(S/P)</b>
12	21366	NUT, SPANNER
13	8526017	BASKET & BALANCE RING <b>(S/P)</b>
14	285868	PLATE, FILTER
16	63849	TUB <b>(S/P)</b>
17	389140	BLOCK, BASKET DRIVE
18	383727	GASKET, CENTER POST
19	353244	HOSE, PRESSURE SWITCH
20	3951744	AGITATOR ASSEMBLY (COMPLETE)
22	3951608	SPACER, THRUST
23	285551	CAP, BARRIER
24	W10072840	SEAL, INNER CAP
26	3949550	WASHER <b>(S/P)</b>

**7MLSR8544JT0 MOTOR**







## 7MLSR8544JT0 MOTOR

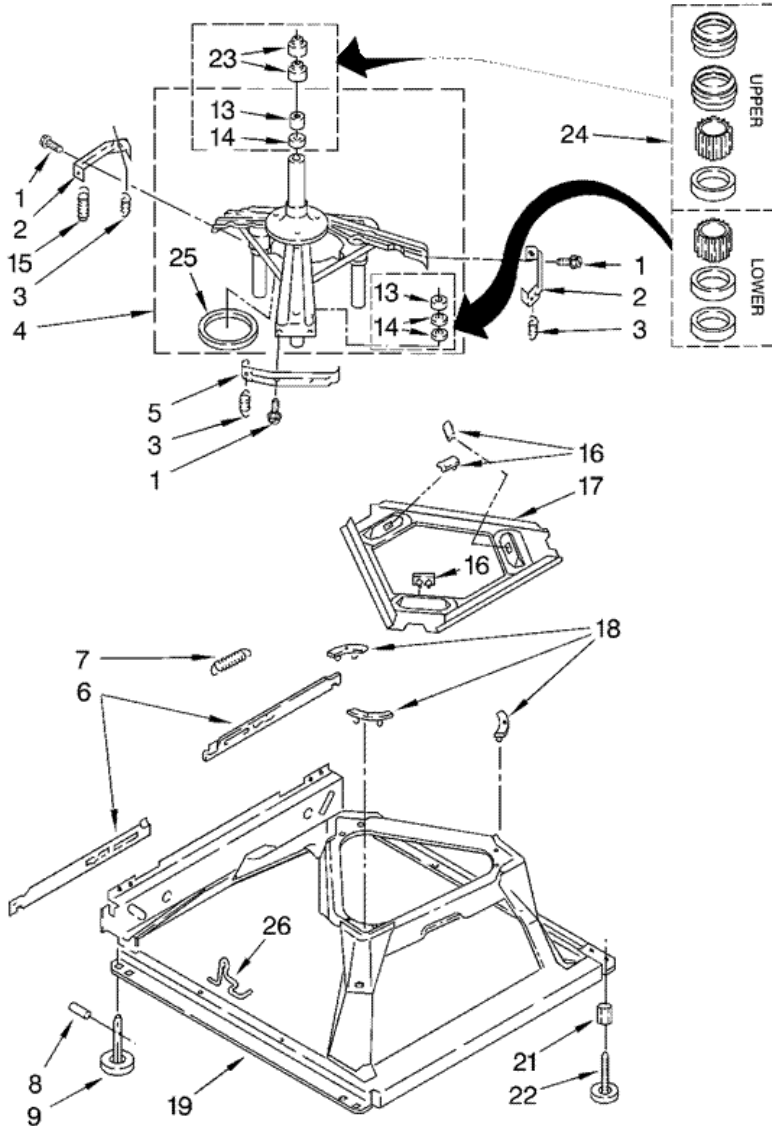
1	285792	BRAKE & DRIVE TUBE (COMPLETE)
2	63292	WASHER, SPIN TUBE THRUST
3	62697	RING, SPIN TUBE SUPPORT
4	285353	RING, RETAINER
5	285785	CLUTCH (COMPLETE)
6	285790	BAND & LINING, CLUTCH (INCLUDES ILLUS. 7 & 8)
7	62646	CAP, CLUTCH SPRING (2) <b>(S/P)</b>
8	3946792	SPRING, CLUTCH <b>(S/P)</b>
9	3360629	GEARCASE (COMPLETE)
10	3357334	SCREW, GEARCASE TO BASE (3) <b>(S/P)</b>
11	62611	PLATE, MOTOR MOUNT TO GEARCASE <b>(S/P)</b>
12	62691	GROMMET, MOTOR (4)
13	285753	COUPLING, MOTOR & ISOLATION
15	3355454	CLIP, ANTI-RATTLE <b>(S/P)</b>
16	3400516	SCREW <b>(S/P)</b>
17	3349637	RETAINER, MOTOR (2)
18	3362089	SHIELD, TUB TO MOTOR <b>(S/P)</b>
19	389248	MOTOR, MAIN DRIVE
20	8529896	SWITCH, MAIN DRIVE MOTOR <b>(S/P)</b>
21	62700	RETAINER, PUMP (2)
22	3363394	PUMP (COMPLETE)
23	3387485	SCREW, 10-16 X 5/8 <b>(S/P)</b>
24	3946532	SHIELD, MOTOR <b>(S/P)</b>
25	62863	SCREW, 10-16 X 3/8 <b>(S/P)</b>
26	8572717	CAPACITOR <b>(S/P)</b>
27	357030	CLAMP, CAPACITOR <b>(S/P)</b>

Distribuidor Autorizado

SurteRápido.com

Venta de Refacciones  
Electrodomesticas

## 7MLSR8544JT0 BASE

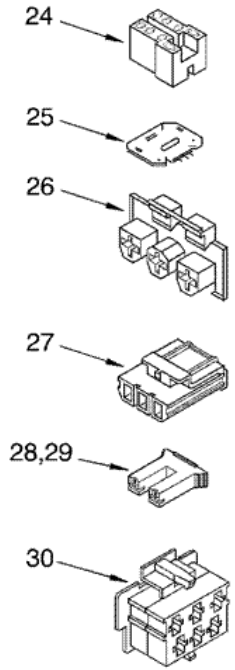
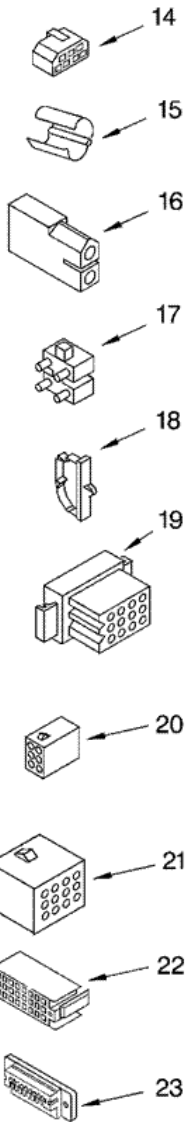
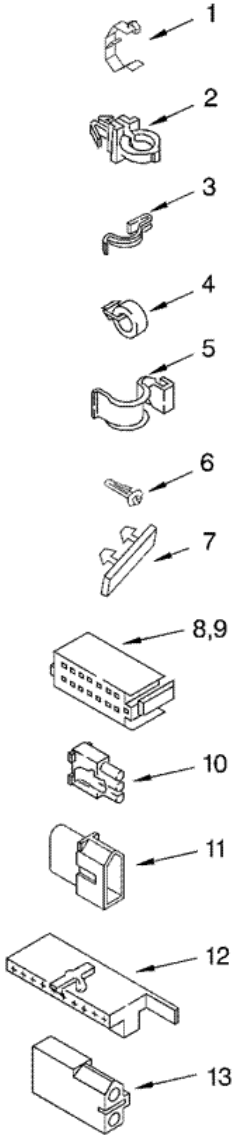




## 7MLSR8544JT0 BASE

1	3196174	SCREW, BRACKET MOUNTING <b>(S/P)</b>
2	64067	BRACKET, SPRING OUTER (2)
3	63907	SPRING, SUSPENSION (3)
4	63740	SUPPORT & BRAKE, TUB <b>(280184)</b>
5	64065	BRACKET, SPRING OUTER (L.F.)
6	63466	LINK, LEVELING MECHANISM (2) <b>(S/P)</b>
7	8316845	SPRING, LEVELING MECHANISM
8	62837	PIN, KNURLED <b>(S/P)</b>
9	285244	FOOT, REAR (2)
13	8546455	BEARING, CENTERPOST (2) <b>(S/P)</b>
14	359449	SEAL, CENTERPOST (3)
15	388492	SPRING, COUNTERWEIGHT
16	285219	PAD, PLATE
17	3946509	PLATE, SUSPENSION (INCLUDES ILLUS. 16) <b>(S/P)</b>
18	285744	PAD, BASE
19	285771	BASE ASSEMBLY
21	3359452	NUT, LOCK (3/8-16) <b>(S/P)</b>
22	389102	FOOT, FRONT (2)
23	91938	SEAL, CENTERPOST (2)
24	285203	CENTERPOST BEARING KIT
25	63134	RING, SOUND DEADENING
26	63806	RETAINER, SUSPENSION SPRING

**7MLSR8544JT0 HARNES**

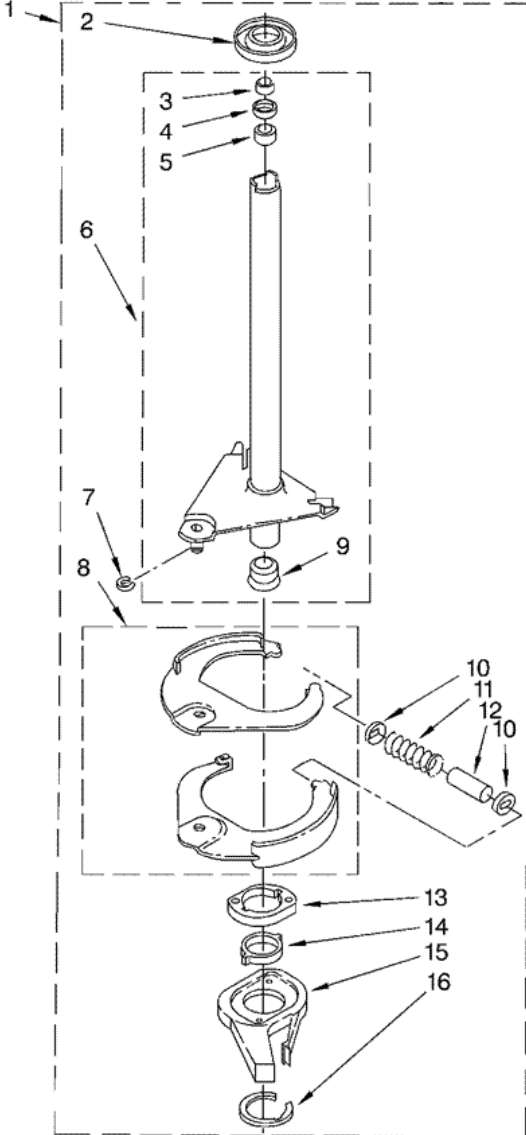




## 7MLSR8544JT0 HARNES

1	3349557	CLIP, HARNESS (S/P)
2	388498	CLIP, HARNESS <b>DESCONTINUADO</b>
3	8528351	CLIP, HARNESS (S/P)
4	3348535	CLIP, HARNESS (S/P)
5	90016	CLIP, HARNESS (S/P)
6	8281256	CLIP, HARNESS (S/P)
7	389379	RETAINER, (SUDS MODELS) (S/P)
8	352090	TIMER, BLOCK DISCONNECT <b>DESCONTINUADO</b>
9	352089	TIMER, BLOCK DISCONNECT (BLACK) (S/P)
10	62889	RECEPTACLE, TERMINAL (3-WAY) (S/P)
11	353424	PLUG, TERMINAL (3-WAY) (POWER CORD) (S/P)
12	62505	BLOCK, DISCONNECT (MOTOR 2 SPEED) (S/P)
13	3348075	BLOCK, DISCONNECT <b>DESCONTINUADO</b>
14	3347243	BLOCK, DISCONNECT (USE TERM. 352088) (S/P)
15	63523	PROTECTOR (S/P)
16	717252	CONNECTOR (2-WAY) (USE TERM. 94614) (S/P)
17	938329	PLUG, TERMINAL (4-WAY) <b>DESCONTINUADO</b>
18	3352944	CLIP, HARNESS (S/P)
19	3390423	BLOCK, DISCONNECT (12-WAY) (TIMER) (S/P)
20	3347730	RECEPTACLE (6-WAY) <b>DESCONTINUADO</b>
21	388818	PLUG, TERMINAL (12-WAY) (S/P)
22	3369366	TIMER, BLOCK DISCONNECT <b>DESCONTINUADO</b>
23	3349494	CONNECTOR, ETC (S/P)
24	60688	CONNECTOR, RELAY (USE TERM. 308569) (S/P)
25	3955728	CONTROL, ETC
26	3948617	CONNECTOR (T.P.A.) (3-CIRCUIT) (S/P)
27	3360056	CONNECTOR (T.P.A.) (3-CIRCUIT) (S/P)
28	3354925	BLOCK, CONNECTOR (COLD VALVE) (S/P)
29	3354926	BLOCK, CONNECTOR (HOT VALVE) (S/P)
30	3948615	CONNECTOR (T.P.A.) (6-CIRCUIT) (S/P)

**7MLSR8544JT0 FLECHA HUECA**





**7MLSR8544JT0 FLECHA HUECA**

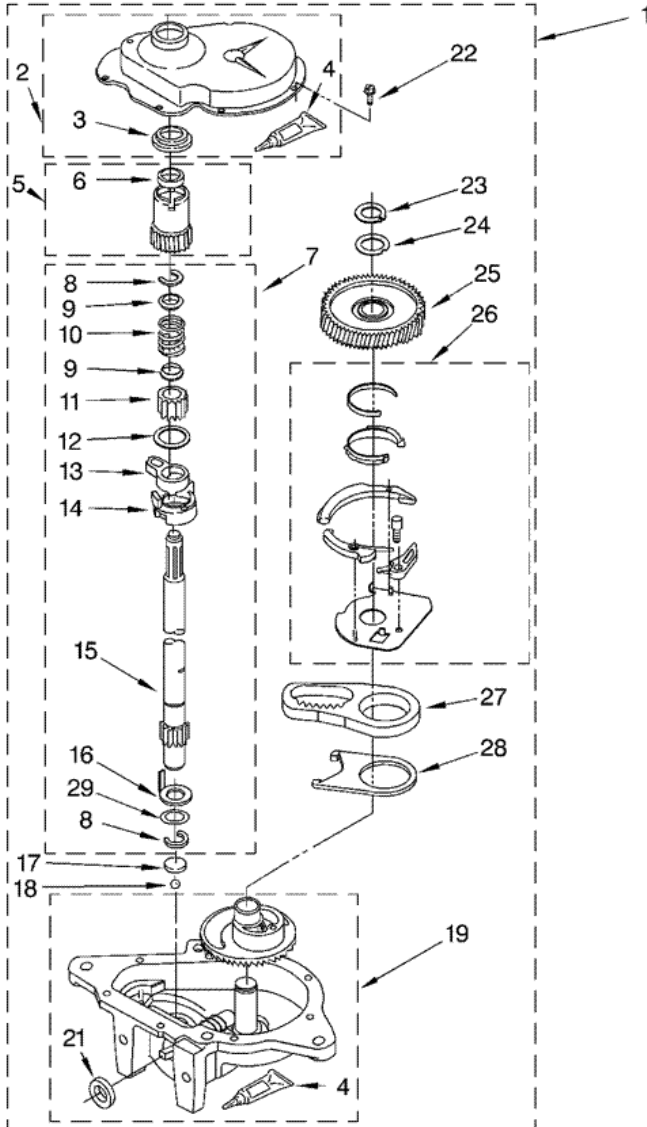
1	285792	BRAKE AND DRIVE TUBE (COMPLETE)
2	62658	RING, THRUST
3	91939	SEAL. OIL
4	356427	SEAL, DRIVE TUBE
5	356937	SPACER, DRIVE TUBE
6	64208	TUBE, BASKET DRIVE (INCLUDES ILLUS. 3, 4, 5, & 9)
7	64035	RING, RETAINING <b>(S/P)</b>
8	285438	SHOE, BRAKE
9	62703	``T`` BEARING, SPIN TUBE
10	285658	CAP, BRAKE SPRING (2) <b>(S/P)</b>
11	387806	SPRING, BRAKE
12	285658	SLEEVE, BRAKE SPRING <b>(S/P)</b>
13	661516	CAM, BRAKE RELEASE
14	63022	SLEEVE, CAM <b>DESCONTINUADO</b>
15	64194	DRIVER, BRAKE CAM
16	90368	RING, RETAINING
16	285208	LUBRICANT <b>(S/P)</b>

Distribuidor Autorizado

SurteRápido.com

Venta de Refacciones  
Electrodomesticas

# 7MLSR8544JT0 TRANSMISION



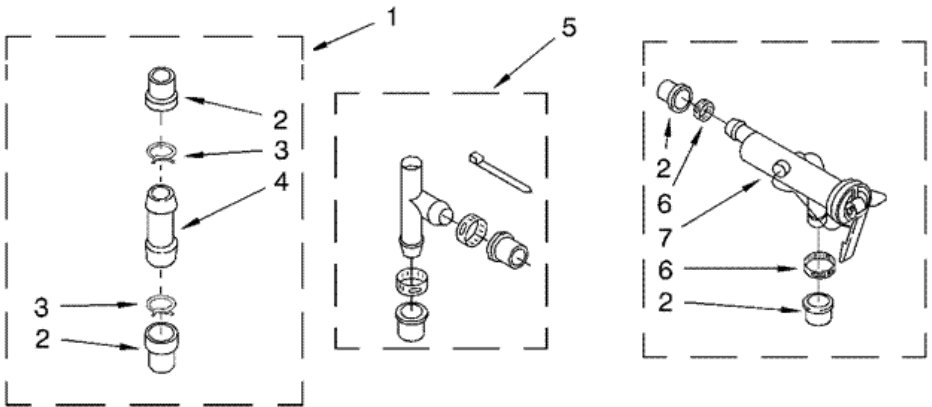




## 7MLSR8544JT0 TRANSMISION

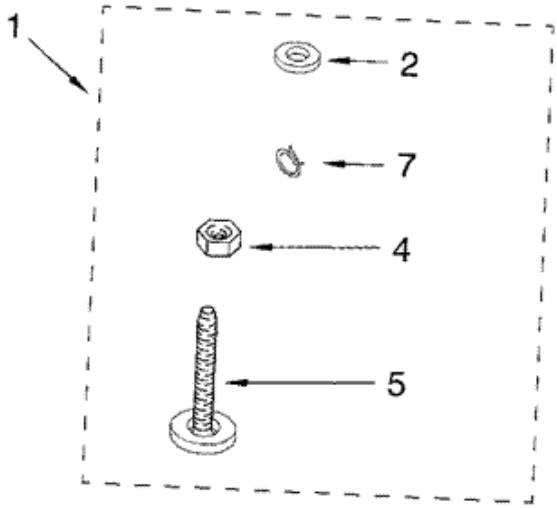
1	3360629	GEARCASE (COMPLETE)
2	285202	COVER, GEARCASE <b>(S/P)</b>
3	3349985	SEAL, GEARCASE COVER
4	285195	SEALER, GASKET (.20 FL. OZ.) (6 ML)
5	285362	PINION, SPIN (INCLUDES ILLUS. 25)
6	356427	SEAL, SPIN PINION
7	389387	SHAFT, AGITSTOR (COMPLETE) <b>(S/P)</b>
8	90369	RING, RETAINING (2)
9	62677	RETAINER, SPRING
10	62676	SPRING, AGITATOR <b>(S/P)</b>
11	285509	GEAR, AGITATE <b>DESCONTINUADO</b>
12	62619	WASHER, AGITATOR GEAR <b>(S/P)</b>
13	285206	CAM FOLLOWER (INCLUDES 14)
14	285206	CAM, AGITATE (INCLUDES 13)
15	285509	SHAFT, AGITATOR <b>DESCONTINUADO</b>
16	62618	WASHER, CAM THRUST
17	285205	BEARING, THRUST
18	285205	BALL, BEARING
19	285515	BOTTOM AND PINION, GEARCASE <b>(S/P)</b>
21	285352	SEAL, THRUST PLUG
22	3351614	SCREW, GEARCASE COVER, MOUNTING (8) <b>(S/P)</b>
23	285765	RING, RETAINING
24	285735	WASHER KIT, THRUST <b>(S/P)</b>
25	285362	GEAR, SPIN
26	388253	NEUTRAL ASSEMBLY
27	3949609	RACK, CONNECTING
28	62621	ACTUATOR, SHIFT
29	388815	WASHER, INTERMEDIATE <b>(S/P)</b>

**7MLSR8544JT0 SISTEMA DE AGUA**



1	285442	CONNECTOR KIT, PLASTIC DRAIN HOSE (S/P)
2	285321	SLEEVE KIT, (CONTAINS 2 SLEEVES) (S/P)
3	285655	CLAMP, HOSE (S/P)
4	16272	CONNECTOR, STRAIGHT (S/P)
5	285320	SIPHON BREAK KIT (NOT INCLUDED) (S/P)
6	285655	CLAMP, HOSE (S/P)
7	367031	DRAIN PROTECTOR (NOT INCLUDED) (S/P)

**7MLSR8544JT0 PATA**



1	285654	MISCELLANEOUS PARTS BAG <b>(S/P)</b>
2	16123	WASHER, INLET HOSE (1-1/16 X 5/8) (4) <b>(S/P)</b>
4	3359452	NUT, LOCK (3/8-16) <b>(S/P)</b>
5	389102	FOOT, FRONT (2)
7	3348675	SHIPPING KIT <b>DESCONTINUADO</b>