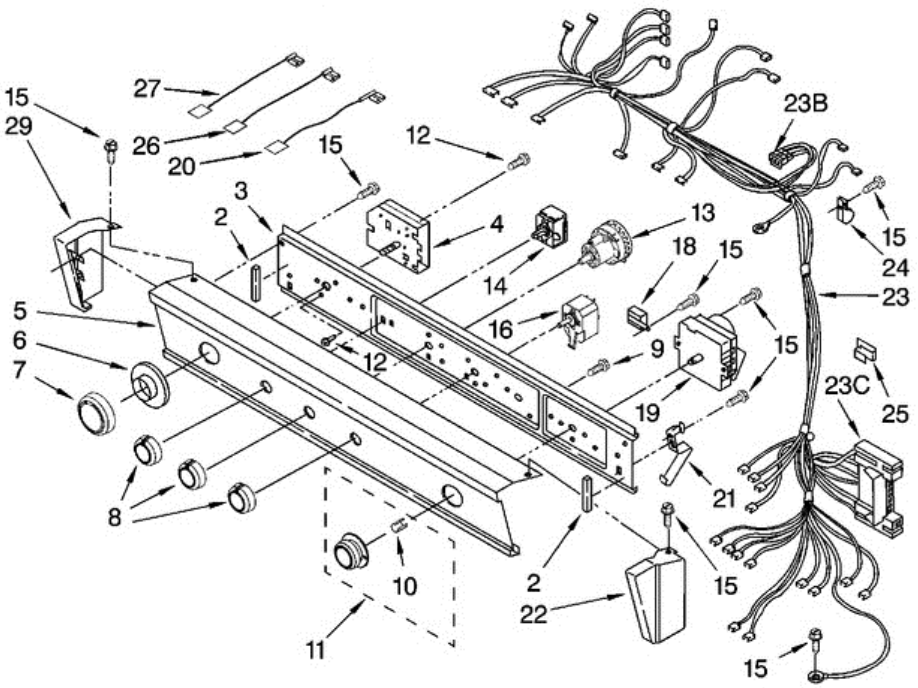


**7MLTG8234PQ1 TABLERO**

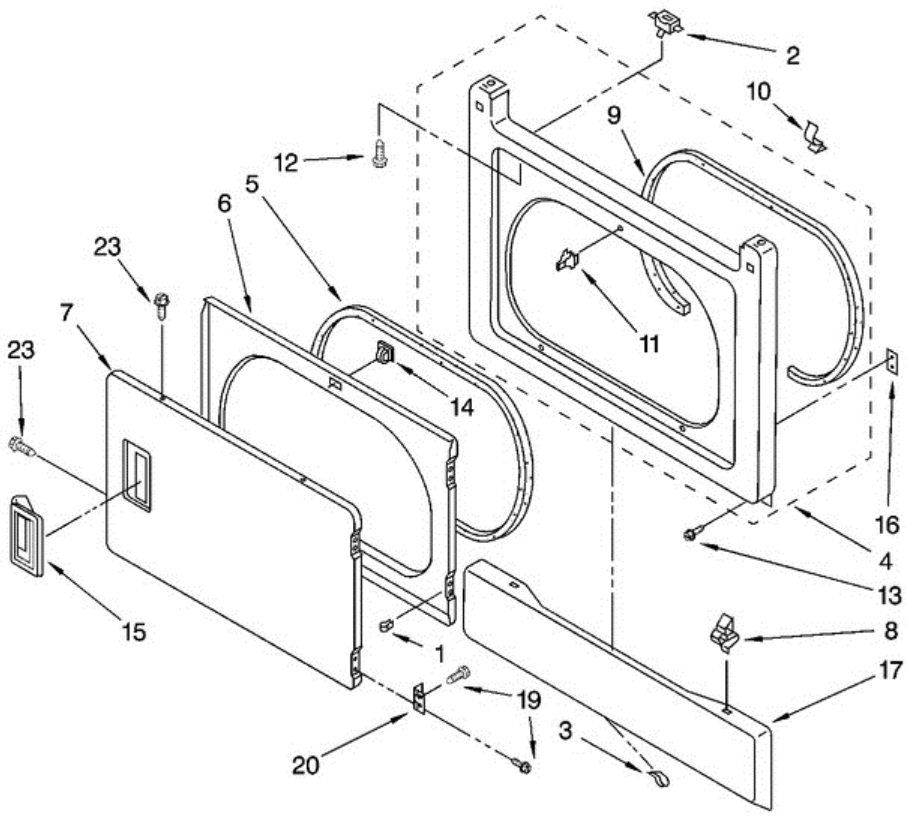




## 7MLTG8234PQ1 TABLERO

|     |         |                                      |
|-----|---------|--------------------------------------|
| 2   | 3390688 | SPACER- FOAM PAD (2)                 |
| 3   | 8528583 | BRACKET, CONTROL (INCLUDES ILLUS. 2) |
| 4   | 3948357 | TIMER, WASHER                        |
| 5   | 8565381 | PANEL, CONTROL                       |
| 6   | 3957845 | DIAL (WASHER)                        |
| 7   | 3957825 | KNOB, TIMER (WASHER)                 |
| 8   | 3957796 | KNOB, CONTROL (3)                    |
| 9   | 98139   | SCREW, GROUND                        |
| 10  | 688805  | SPRING CLIP, KNOB                    |
| 11  | 3957750 | KNOB, TIMER (DRYER)                  |
| 12  | 3400064 | SCREW 10-32 X 5/16                   |
| 13  | 8546175 | SWITCH, PRESSURE                     |
| 14  | 3405157 | SWITCH, TEMPERATURE                  |
| 15  | 90767   | SCREW, 8-18 X 3/8                    |
| 16  | 3404233 | SWITCH, PUSH-TO-START                |
| 18  | 694419  | BUZZER, MINI                         |
| 19  | 3976569 | TIMER, DRYER                         |
| 20  | 3393810 | JUMPER WIRE (PTS-TIMER)              |
| 21  | 3389453 | BRACKET, HINGE (2)                   |
| 22  | 8565379 | END CAP (RH)                         |
| 23  | 3398983 | HARNESS - DRYER                      |
| 23B | 2154470 | RECEPTACLE,                          |
| 23C | 3395683 | CONNECTOR (MOTOR-DRYER)              |
| 24  | 3390604 | CLAMP, HARNESS                       |
| 25  | 3390422 | CLIP, HARNESS (2)                    |
| 26  | 3401674 | JUMPER WIRE (BUZZER-TIMER)           |
| 27  | 3401684 | JUMPER, WIRE (BUZZER-PTS)            |
| 29  | 8565380 | END CAP (LH)                         |

**7MLTG8234PQ1 PUERTA**

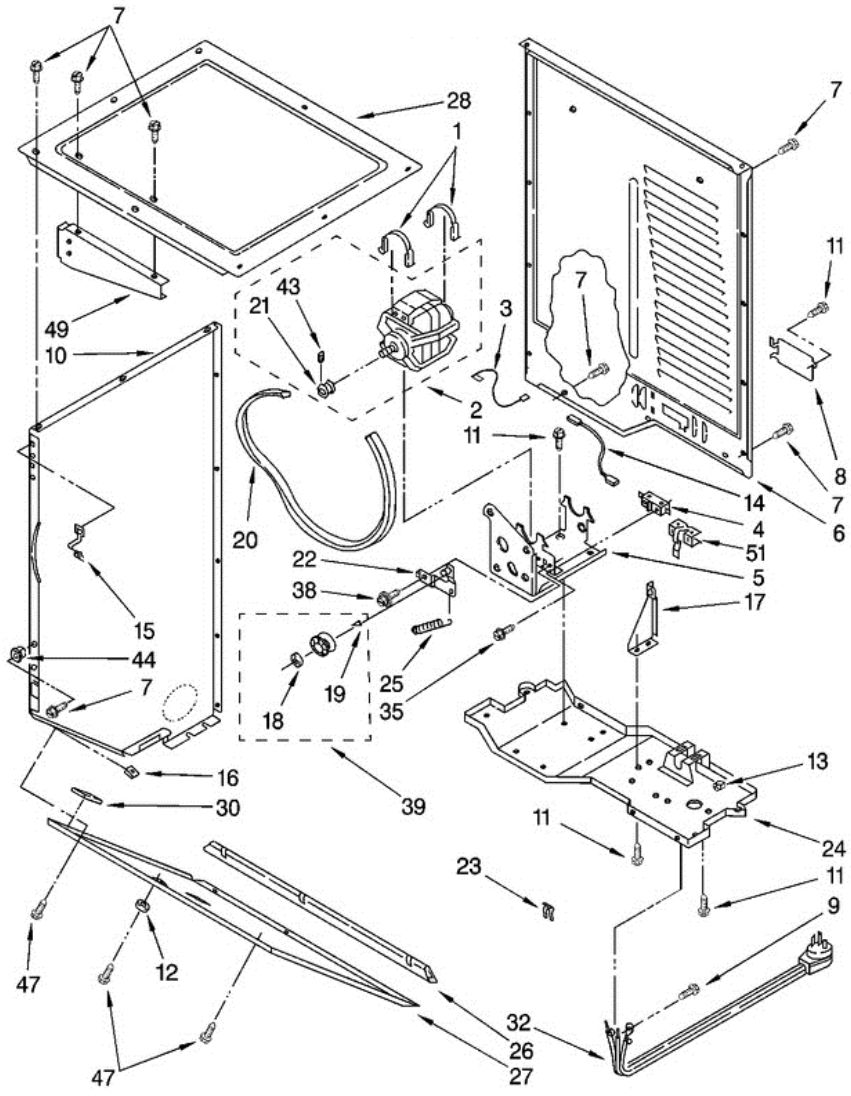




## 7MLTG8234PQ1 PUERTA

|    |         |                                 |
|----|---------|---------------------------------|
| 1  | 3389249 | NUT, PUSH (4)                   |
| 2  | 3391901 | SWITCH, DOOR                    |
| 3  | 98234   | CLIP, GROUND                    |
| 4  | 3392547 | PANEL, FRONT                    |
| 5  | 3390735 | SEAL, DOOR                      |
| 6  | 3392563 | DOOR, REAR                      |
| 7  | 3387872 | DOOR, FRONT                     |
| 8  | 3388229 | RETAINER, TOE PANEL (2)         |
| 9  | 3387242 | BEARING & SEAL                  |
| 10 | 3392602 | CLIP, HARNESS                   |
| 11 | 696144  | STRIKE, PANEL                   |
| 12 | 697773  | SCREW, DOOR SWITCH MOUNTING (2) |
| 13 | 3393008 | SCREW, 10-16 X 1/2              |
| 14 | 3392538 | CATCH, DOOR                     |
| 15 | 3389522 | HANDLE, DOOR                    |
| 16 | 3390902 | CLIP, DOOR HINGE (2)            |
| 17 | 3388958 | PANEL, TOE                      |
| 19 | 342055  | SCREW, 8-18 X 1/2               |
| 20 | 3389247 | HINGE & PIN, DOOR (2)           |
| 23 | 694091  | SCREW, 8-18 X 3/8               |

**7MLTG8234PQ1 MOTOR**





## 7MLTG8234PQ1 MOTOR

|    |         |                                |
|----|---------|--------------------------------|
| 1  | 660658  | CLAMP, MOTOR MOUNTING (2)      |
| 2  | 8538266 | MOTOR, MAIN DRIVE (60 HZ.)     |
| 3  | 3398948 | WIRE, JUMPER                   |
| 4  | 3394881 | SWITCH, BROKEN BELT            |
| 5  | 3388858 | BRACKET, MOTOR                 |
| 6  | 3389847 | PANEL, REAR                    |
| 7  | 343641  | SCREW, 10-16 X 1/2             |
| 8  | 3387673 | COVER, TERMINAL BLOCK          |
| 9  | 697776  | SCREW, 10-32 X 5/8             |
| 10 | 3389256 | PANEL, SIDE (R.H.)             |
| 10 | 3389264 | PANEL, SIDE (L.H.)             |
| 11 | 3390631 | SCREW, 10-16 X 3/8             |
| 12 | 3389431 | BUMPER, LID STOP               |
| 13 | 697438  | CLIP                           |
| 14 | 3394081 | WIRE, BROKEN BELT SWITCH       |
| 15 | 3389231 | CLIP, FRONT PANEL (2)          |
| 16 | 98234   | CLIP, GROUND                   |
| 17 | 3391639 | BRACKET, BULKHEAD              |
| 18 | 233520  | WASHER, THRUST                 |
| 19 | 690997  | TRI RING                       |
| 20 | 3387610 | BELT, DRIVE                    |
| 21 | 3391087 | PULLEY, MOTOR (60 HZ.)         |
| 22 | 3389332 | BRACKET, IDLER                 |
| 23 | 694415  | CLIP, STRAIN RELIEF            |
| 24 | 3391668 | BASE, DRYER                    |
| 25 | 3387374 | SPRING, IDLER                  |
| 26 | 3389683 | COVE, TRANSITION PANEL (BLACK) |
| 27 | 3389272 | PANEL, TRANSITION              |
| 28 | 3389537 | TOP, DRYER                     |
| 30 | 3389682 | SPACER (2)                     |
| 32 | 694018  | CORD, POWER                    |
| 35 | 98129   | SCREW, 6-20 X 1                |
| 38 | 3389420 | BOLT, SHOULDER                 |

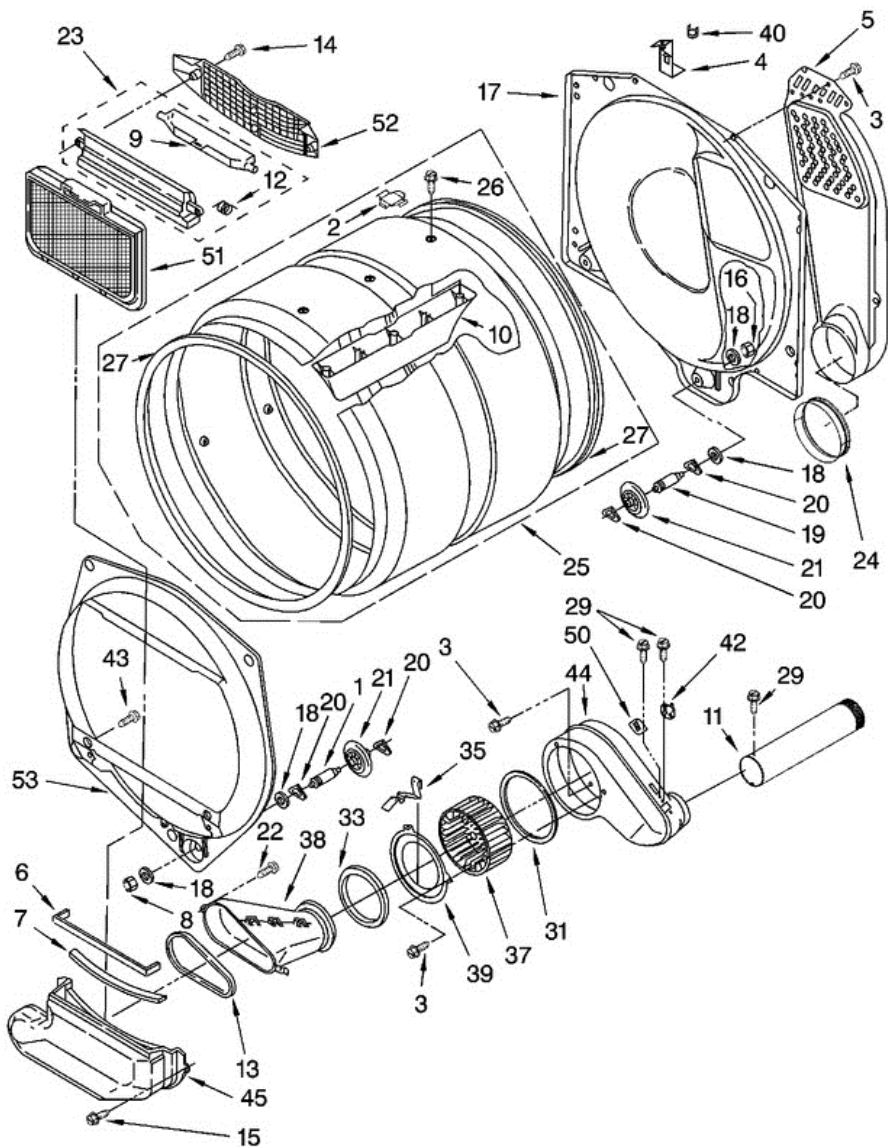
|    |         |                         |
|----|---------|-------------------------|
| 39 | 3388672 | PULLEY, IDLER           |
| 43 | 3394743 | PIN, ROLL               |
| 44 | 692400  | NUT, PUSH IN            |
| 47 | 693304  | SCREW AND WASHER        |
| 49 | 3390722 | SHIELD, CONSOLE TO DRUM |
| 51 | 8066120 | LEVER, SNAP SWITCH      |

Distribuidor Autorizado

SurteRápido.com

Venta de Refacciones  
Electrodomesticas

7MLTG8234PQ1 TAMBOR





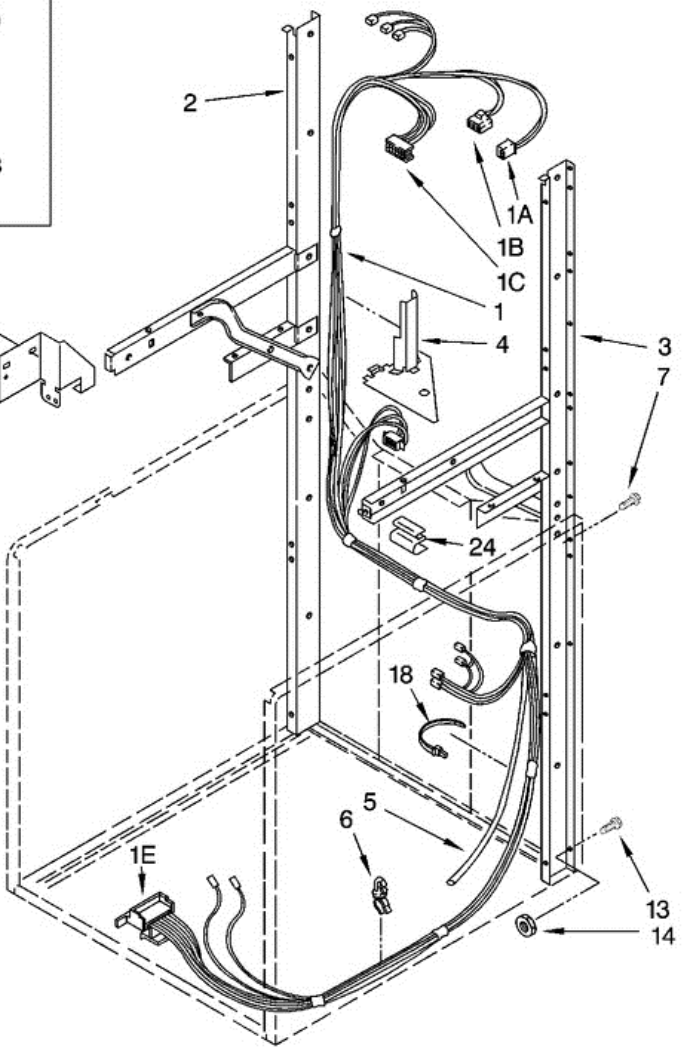
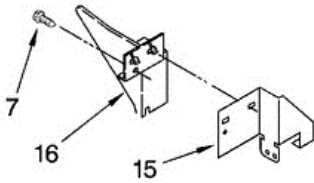
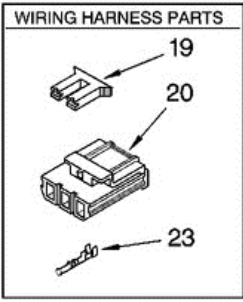


**7MLTG8234PQ1 TAMBOR**

|    |           |                                       |
|----|-----------|---------------------------------------|
| 1  | 8575324   | SHAFT, ROLLER (RH)                    |
| 2  | 8066086   | DRUM HOLE PLUG                        |
| 3  | 343641    | SCREW, 10-16 X 1/2                    |
| 4  | 3392226   | CLIP, THERMOSTAT                      |
| 5  | 3392157   | AIR DUCT ASSEMBLY                     |
| 6  | 697813    | SEAL, OUTLET HOUSING                  |
| 7  | 3391906   | SEAL, LINT DUCT                       |
| 8  | 3934666   | NUT                                   |
| 9  | 3394984   | DOOR, LINT SCREEN                     |
| 10 | 3389449   | BAFFLE, DRUM (3)                      |
| 11 | 8563748   | PIPE, EXHAUST                         |
| 12 | 3394986   | SPRING, LINT SCREEN DOOR              |
| 13 | 3391685   | SEAL, TRANSITION DUCT TO LINT DUCT    |
| 14 | 3357011   | SCREW, 10-16 X 1/2                    |
| 15 | 3390647   | SCREW, 8-18 X 1/2                     |
| 16 | W10001120 | NUT, HEX (2)                          |
| 17 | 3387809   | BULKHEAD, REAR                        |
| 18 | 3387459   | WASHER, SUPPORT                       |
| 19 | 8575325   | SHAFT, L.H. THREAD                    |
| 20 | 690997    | TRI RING                              |
| 21 | 8536973   | SUPPORT, ROLLER                       |
| 22 | 3387230   | SCREW, 10-16 X 3/4                    |
| 23 | 3394985   | HOUSING, OUTLET                       |
| 24 | 3387910   | COLLAR, AIR DUCT                      |
| 25 | 3389448   | ASSEMBLY, DRUM                        |
| 26 | 97787     | SCREW, 11-16 X 3/4                    |
| 27 | 697694    | SEAL, DRUM                            |
| 29 | 8533971   | SCREW, 8-18 X 3/8                     |
| 31 | 697770    | SEAL, COVER PLATE                     |
| 33 | 8566209   | SEAL, TRANSITION DUCT                 |
| 35 | 3390935   | CLIP, DUCT LOCATOR                    |
| 37 | 697772    | WHEEL, BLOWER                         |
| 38 | 3389445   | DUCT, TRANSITION (INCLUDES ILLUS. 33) |

|    |         |  |
|----|---------|--|
| 39 | 697366  | PLATE, BLOWER                                |
| 40 | 3388697 | FIXED, THERMOSTAT (205Â°F)                   |
| 42 | 3387134 | THERMOSTAT, INTERNAL-BIAS                    |
| 43 | 695240  | SCREW, 8-18 X 1/2                            |
| 44 | 8544363 | HOUSING, BLOWER                              |
| 45 | 3388909 | LINT DUCT ASSEMBLY (INCLUDES ILLUS. 7 & 13 ) |
| 50 | 3403607 | LIMITER, THERMAL                             |
| 51 | 3389644 | SCREEN, LINT                                 |
| 52 | 8299979 | GRILLE, OUTLET                               |
| 53 | 697557  | BULKHEAD, FRONT                              |

**7MLTG8234PQ1 HARNES**

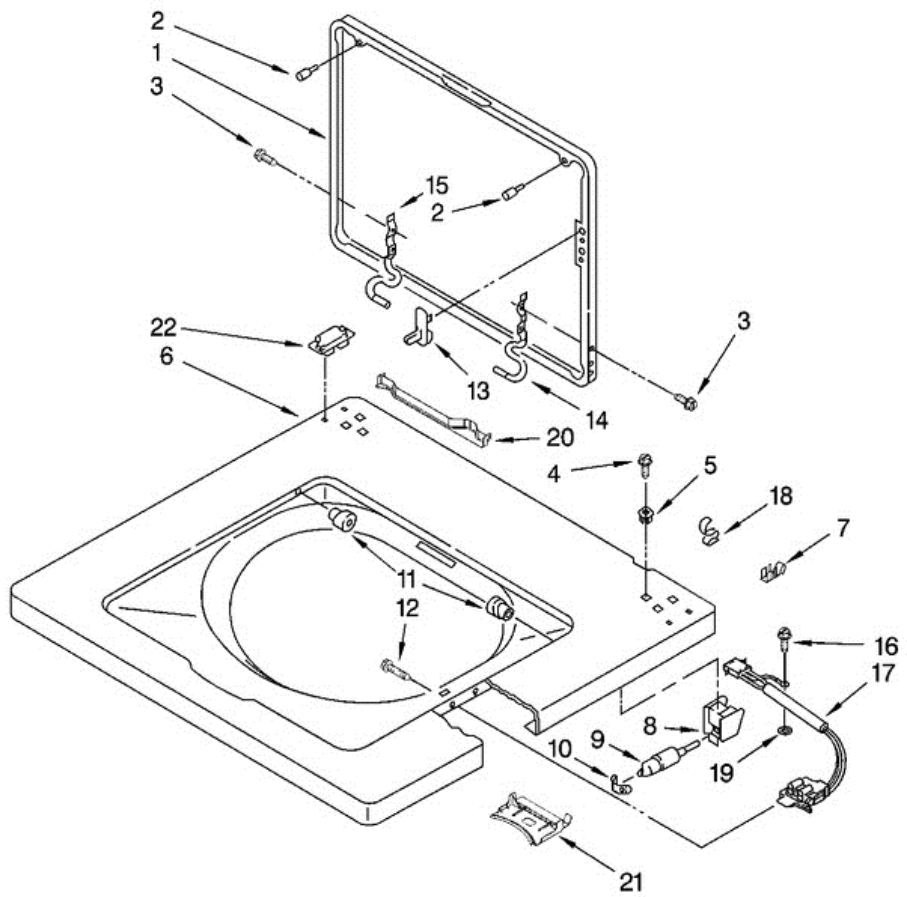




**7MLTG8234PQ1 HARNES**

|    |         |                                    |
|----|---------|------------------------------------|
| 1  | 8545439 | HARNESS - WASHER                   |
| 2  | 3388851 | CHANNEL ASSEMBLY (LEFT HAND SIDE)  |
| 3  | 3388850 | CHANNEL ASSEMBLY (RIGHT HAND SIDE) |
| 4  | 3390609 | SHIELD, HARNESS                    |
| 5  | 8545438 | HOSE, PRESSURE SWITCH              |
| 6  | 8281256 | CLIP, HARNESS                      |
| 7  | 343641  | SCREW, 10-16 X 1/2                 |
| 13 | 3400300 | BOLT, 5/16-18 X 1/2                |
| 14 | 3393930 | NUT, HEX (4)                       |
| 15 | 3392232 | SHIELD, FRONT                      |
| 16 | 3390336 | SHIELD, THERMOSTAT                 |
| 18 | 3391249 | CLIP, HARNESS (2)                  |
| 19 | 3354925 | CONNECTOR H-POD                    |
| 1A | 3350130 | PLUG, 3 WAY                        |
| 1B | 3347243 | CONNECTOR, 5 WAY                   |
| 1C | 352089  | BLOCK, DISCONNECT TIMER            |
| 1E | 62505   | BLOCK, DISCONNECT                  |
| 20 | 3360056 | CONNECTOR, PRESSURE SWITCH         |
| 23 | 94613   | TERMINAL, (MALE)                   |
| 23 | 94614   | TERMINAL (FEMALE)                  |
| 24 | 63523   | PROTECTOR, HARNESS                 |

**7MLTG8234PQ1 TAPA**





## 7MLTG8234PQ1 TAPA

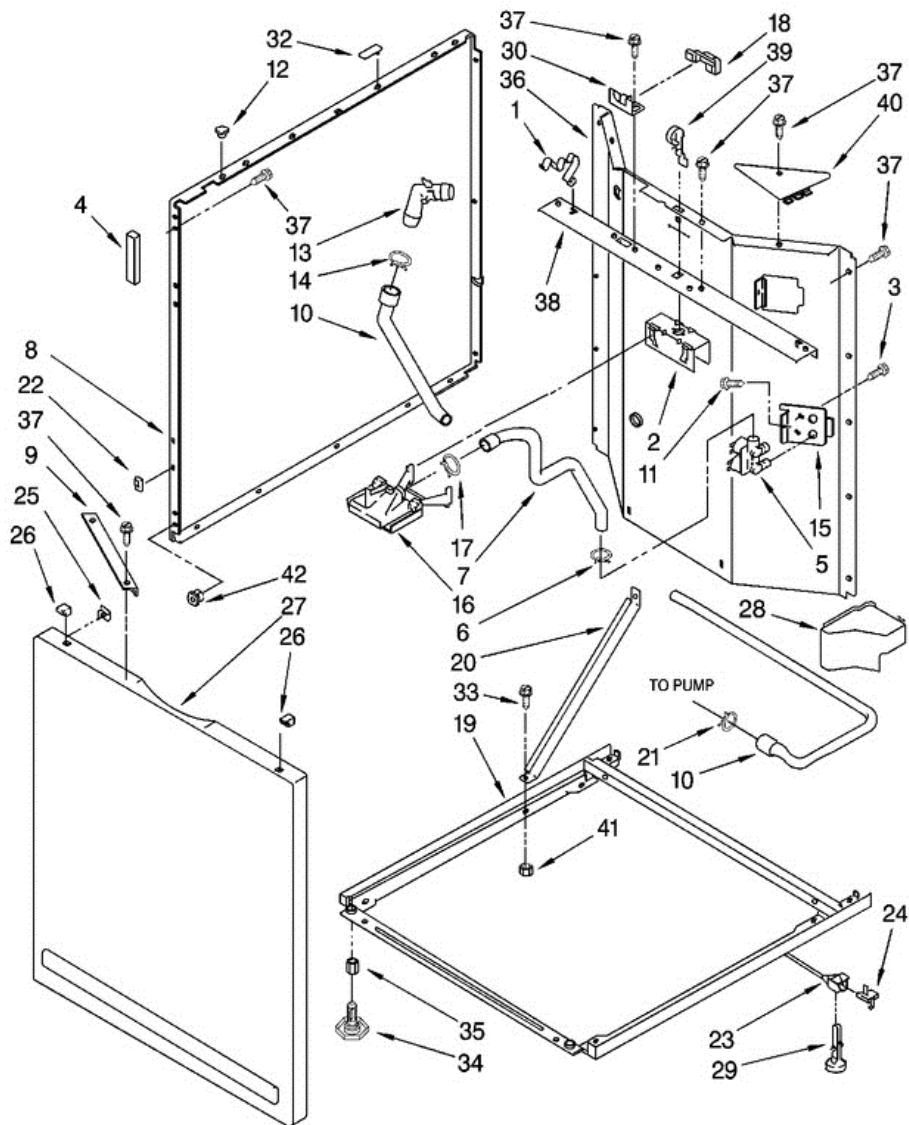
|    |         |                              |
|----|---------|------------------------------|
| 1  | 3351652 | LID                          |
| 2  | 9724509 | BUMPER, LID (2)              |
| 3  | 3351355 | SCREW AND WASHER             |
| 4  | 343641  | SCREW, 10-16 X 1/2           |
| 5  | 692400  | NUT, PUSH-IN (2)             |
| 6  | 3349798 | TOP, CONSOLE                 |
| 7  | 357572  | CLIP, GROUNDING              |
| 8  | 3354020 | BRACKET, MOUNTING            |
| 9  | 3350152 | RETAINER, LID ASSEMBLY       |
| 10 | 3350828 | CLIP, RETAINER               |
| 11 | 21258   | HINGE, BEARING (2)           |
| 12 | 3356311 | SCREW AND WASHER             |
| 13 | 358684  | STRIKE, LID                  |
| 14 | 3350101 | HINGE, R.H.                  |
| 15 | 3350102 | HINGE, L.H.                  |
| 16 | 3351614 | SCREW, GROUND                |
| 17 | 3355458 | SWITCH, LID                  |
| 18 | 90016   | CLIP, WIRE (4)               |
| 19 | 8533959 | NUT, 10-24                   |
| 20 | 3393467 | SHIELD, HARNESS (LID SWITCH) |
| 21 | 3353241 | SHIELD, LID SWITCH           |
| 22 | 3390481 | LOCATOR, TOP                 |

Distribuidor Autorizado

SurteRápido.com

Venta de Refacciones  
Electrodomesticas

## 7MLTG8234PQ1 GABINETE





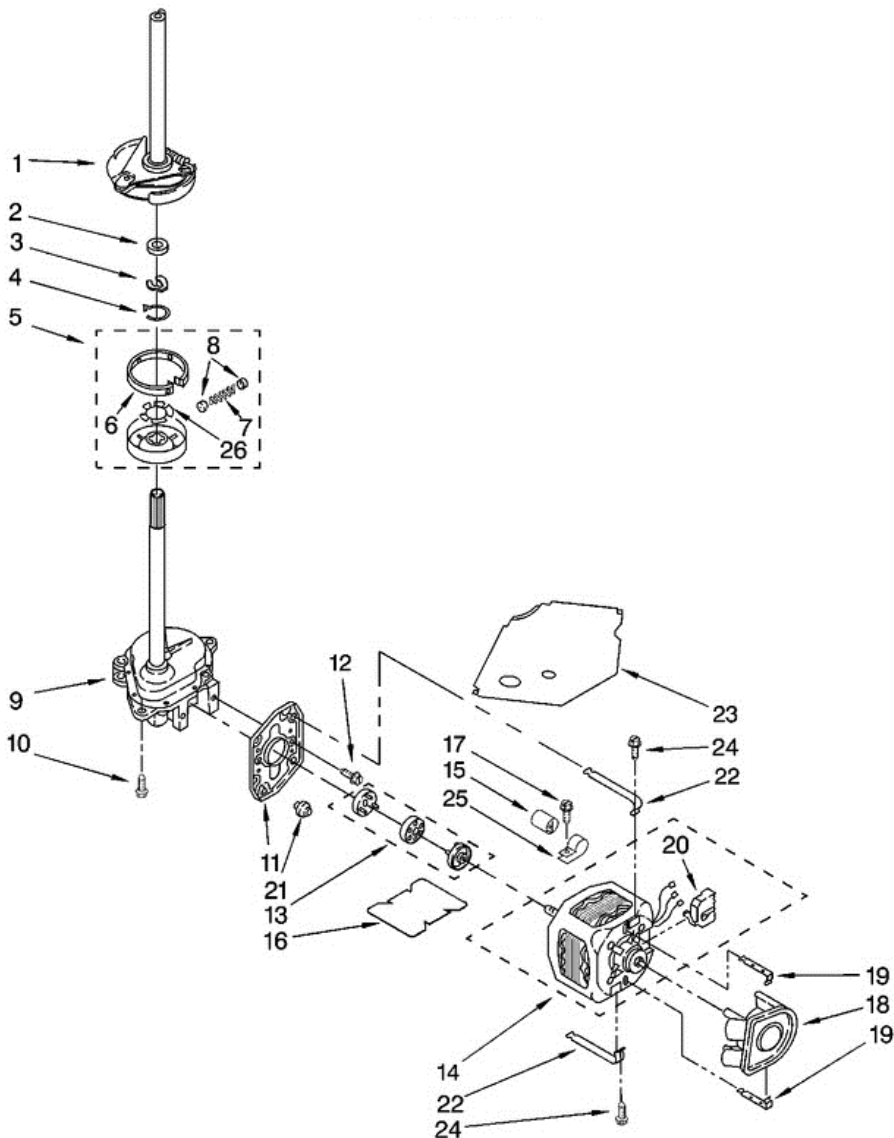
## 7MLTG8234PQ1 GABINETE

|    |         |  |
|----|---------|--|
| 1  | 3349770 | CLIP, SPRING TOP (2)                           |
| 2  | 3349768 | BRACKET, VACUUM                                |
| 3  | 62863   | SCREW, MIXING VALVE MOUNTING (2) (10-16 X 3/8) |
| 4  | 3350013 | FOAM   |
| 5  | 8546060 | VALVE, WATER MIXING                            |
| 6  | 370451  | CLAMP, HOSE                                    |
| 7  | 3352236 | HOSE, WATER INLET                              |
| 8  | 3349455 | PANEL, SIDE (2)                                |
| 9  | 3350745 | BRACE, FRONT PANEL                             |
| 10 | 3353841 | HOSE, DRAIN                                    |
| 11 | 9740848 | SCREW, 8-18 X 1/2                              |
| 12 | 660975  | PLUG, TOP TO CABINET (2)                       |
| 13 | 8557915 | CONNECTOR, HOSE                                |
| 14 | 356138  | CLAMP, HOSE                                    |
| 15 | 3349673 | BRACKET, VALVE                                 |
| 16 | 387606  | THERMISTER, INLET                              |
| 17 | 371503  | CLAMP, HOSE                                    |
| 18 | 3350145 | SHIELD, LID SWITCH                             |
| 19 | 3402724 | BASE, CABINET                                  |
| 20 | 3388857 | BRACKET, BASE                                  |
| 21 | 371507  | CLAMP, HOSE                                    |
| 22 | 3394083 | CLIP, FRONT PANEL (2)                          |
| 23 | 3349311 | LINK, LEVELING                                 |
| 24 | 359364  | CLIP, LEVELING MECHANISM (2)                   |
| 25 | 98234   | CLIP, GROUND                                   |
| 26 | 345670  | LOCK, TOP (2)                                  |
| 27 | 3349499 | PANEL, FRONT                                   |
| 28 | 3950571 | SHIELD, INLET                                  |
| 29 | 358594  | FOOT, REAR (2)                                 |
| 30 | 3350144 | BRACKET, LID SWITCH                            |
| 32 | 352292  | NUT, PUSH-IN (2)                               |
| 33 | 3400502 | SCREW, 5/16-18 X 1/2 (2)                       |
| 34 | 388094  | FOOT, FRONT (2)                                |



|    |         |                           |
|----|---------|---------------------------|
| 35 | 3400917 | NUT, JAM (2)              |
| 36 | 8564987 | PANEL, REAR (WASHER)      |
| 37 | 343641  | SCREW, 10-16 X 1/2        |
| 38 | 3349697 | RAIL, BACK TOP            |
| 39 | 3350135 | SPRING, LEVER BRACKET     |
| 40 | 3390608 | SHIELD, CORNER RIGHT REAR |
| 41 | 3393930 | NUT, HEX (2)              |
| 42 | 352292  | NUT, PUSH-IN (2)          |

**7MLTG8234PQ1 MOTOR**

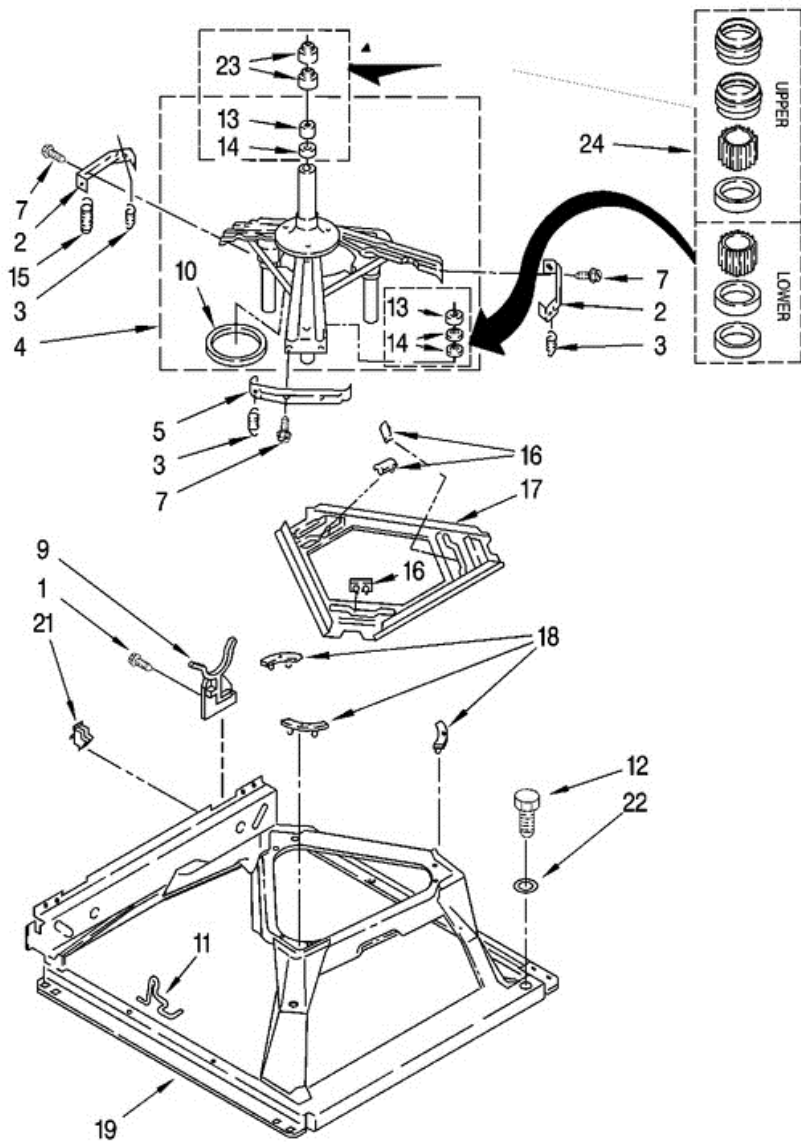




## 7MLTG8234PQ1 MOTOR

|    |         |   |
|----|---------|---|
| 1  | 388951  | BRAKE AND DRIVE TUBE (COMPLETE)         |
| 2  | 63292   | WASHER, SPIN TUBE THRUST                |
| 3  | 62697   | RING, SPIN TUBE SUPPORT                 |
| 4  | 63283   | RING, RETAINER                          |
| 5  | 3951311 | CLUTCH (COMPLETE)                       |
| 6  | 3951308 | BAND AND LINING (INCLUDES ILLUS. 7 & 8) |
| 7  | 3946792 | SPRING & DAMPER ASSEMBLY                |
| 8  | 62646   | CAP, CLUTCH SPRING (2)                  |
| 9  | 8532118 | GEARCASE (COMPLETE)                     |
| 10 | 3357334 | SCREW, (3) 5/16-24 X 3/16 (3)           |
| 11 | 62611   | PLATE, MOTOR MOUNT TO GEARCASE          |
| 12 | 3400516 | SCREW                                   |
| 13 | 3364003 | COUPLING, MOTOR & ISOLATING             |
| 14 | 661600  | MOTOR, MAIN DRIVE                       |
| 15 | 661606  | CAPACITOR, MOTOR START                  |
| 16 | 3946532 | SHIELD, MOTOR                           |
| 17 | 62863   | SCREW, 10-16 X 3/8                      |
| 18 | 3363892 | PUMP, COMPLETE                          |
| 19 | 8546127 | RETAINER, PUMP                          |
| 20 | 62850   | SWITCH, MAIN DRIVE MOTOR                |
| 21 | 62691   | GROMMET, MOTOR (4)                      |
| 22 | 3349637 | RETAINER, MOTOR (2)                     |
| 23 | 8316060 | SHIELD, TUB TO MOTOR                    |
| 24 | 3387485 | SCREW, 10-16 X 5/8                      |
| 25 | 357030  | CLAMP, CAPACITOR                        |
| 26 | 3355454 | CLIP, ANTI-RATTLE                       |

**7MLTG8234PQ1 BASE**

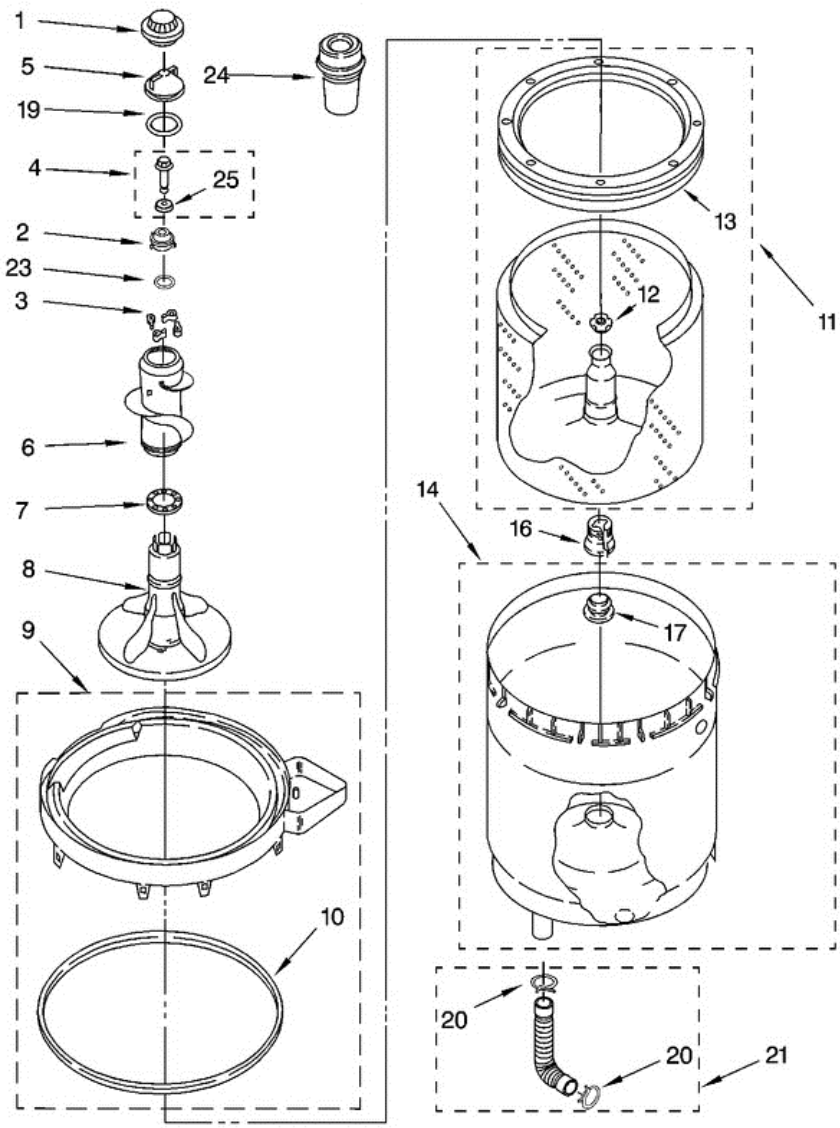




**7MLTG8234PQ1 BASE**

|    |         |   |
|----|---------|---|
| 1  | 343641  | SCREW, BRACKET MOUNTING (10-16 X 1/2)         |
| 2  | 64067   | BRACKET, SPRING OUTER (2)                     |
| 3  | 63907   | SPRING, SUSPENSION (3)                        |
| 4  | 8575214 | SUPPORT & BRAKE, TUB                          |
| 5  | 64065   | BRACKET, SPRING OUTER (L.F.)                  |
| 7  | 3400076 | SCREW, 10-32 X 5/8                            |
| 9  | 3350506 | RETAINER, HOSE                                |
| 10 | 63134   | RING, SOUND DEADENING                         |
| 11 | 63806   | RETAINER, SUSPENSION SPRING                   |
| 12 | 3400501 | SCREW, SHOULDER (2)                           |
| 13 | 3347047 | BEARING, CENTERPOST (2)                       |
| 14 | 357409  | SEAL, CENTERPOST (3)                          |
| 15 | 388492  | SPRING, COUNTERWEIGHT                         |
| 16 | 62568   | PAD, PLATE                                    |
| 17 | 3946509 | PLATE, SUSPENSION (INCLUDES ILLUS. 16)        |
| 18 | 3363660 | PAD, BASE                                     |
| 19 | 3349343 | BASE ASSEMBLY (INCLUDES ILLUS. 11 & 18)       |
| 21 | 3349749 | RESTRAINER, BASE                              |
| 22 | 3349340 | WASHER (2)                                    |
| 23 | 356934  | SEAL, CENTERPOST (2)                          |
| 24 | 285203  | CENTERPOST BEARING KIT (INCLUDES 13, 14 & 23) |

**7MLTG8234PQ1 TINAS**

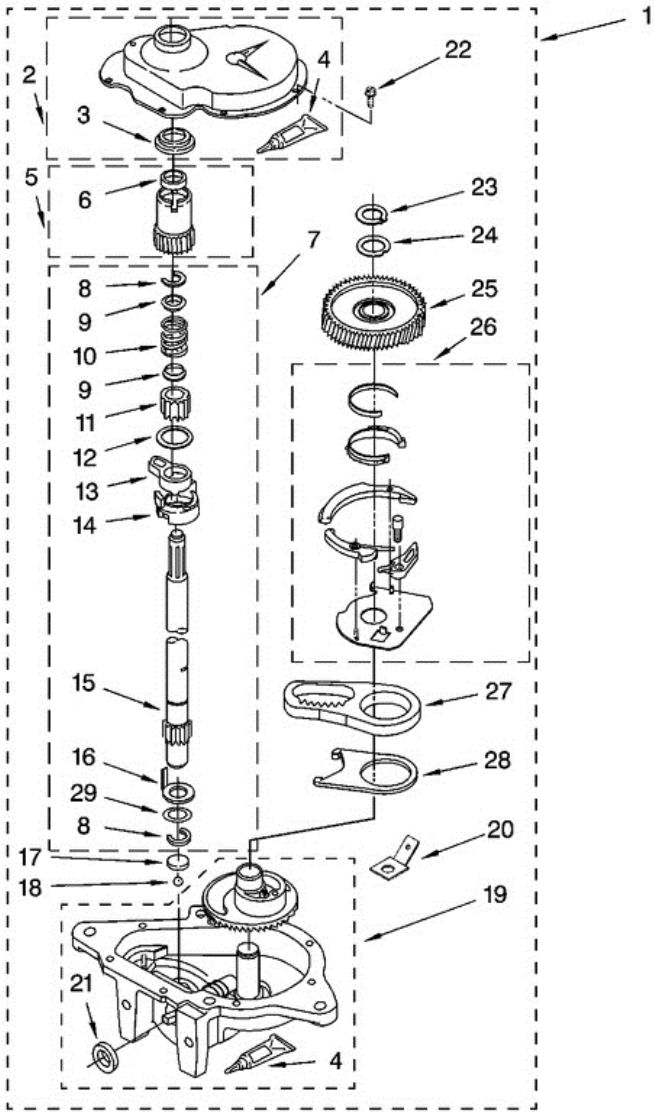




## 7MLTG8234PQ1 TINAS

|    |         |                        |
|----|---------|------------------------|
| 1  | 3355758 | CAP, AGITATOR          |
| 2  | 3947410 | CAM DRIVEN             |
| 3  | 3366877 | DOG, AGITATOR (4)      |
| 4  | 358237  | SCREW & WASHER         |
| 5  | 387094  | CAP, BARRIER           |
| 6  | 3349610 | MOVER, AGITATOR CLUTCH |
| 7  | 3351014 | SPACER, THRUST         |
| 8  | 3349578 | AGITATOR               |
| 9  | 8528150 | TUB RING               |
| 10 | 3976308 | GASKET, TUB RING       |
| 11 | 3979385 | BASKET                 |
| 12 | 21366   | NUT, SPANNER           |
| 13 | 8519788 | RING, BALANCE          |
| 14 | 3349292 | TUB                    |
| 16 | 389140  | BLOCK, DRIVE           |
| 17 | 383727  | GASKET, CENTERPOST     |
| 19 | 3348855 | SEAL-INNER CAP         |
| 20 | 3363366 | CLAMP, HOSE (2)        |
| 21 | 3951449 | HOSE & CLAMP ASSEMBLY  |
| 23 | 64002   | SEAL, AGITATOR         |
| 24 | 3350834 | DISPENSER              |
| 25 | 3949550 | WASHER                 |

**7MLTG8234PQ1 TRANSMISION**



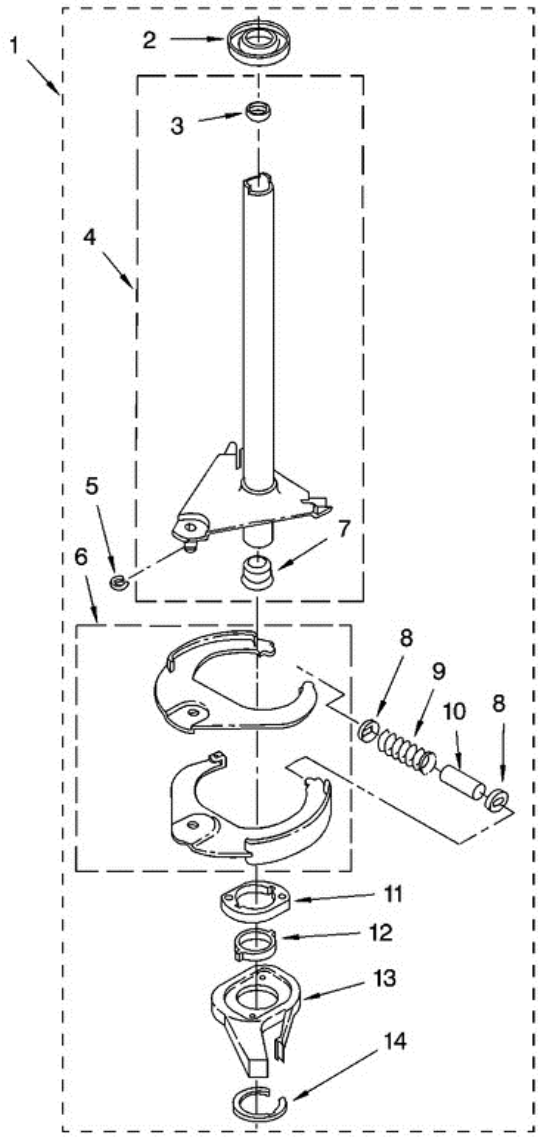




## 7MLTG8234PQ1 TRANSMISION

|    |         |                                     |
|----|---------|-------------------------------------|
| 1  | 8532118 | GEARCASE (COMPLETE)                 |
| 2  | 285202  | COVER, GEARCASE                     |
| 3  | 3349985 | SEAL, GEARCASE COVER                |
| 4  | 285195  | SEALER, GASKET (.20 FL. OZ.) (6 ML) |
| 5  | 63320   | PINION, SPIN (INCLUDES ITEM 25)     |
| 6  | 356427  | SEAL, SPIN PINION                   |
| 7  | 389387  | SHAFT, AGITATOR (COMPLETE)          |
| 8  | 90369   | RING, RETAINING (2)                 |
| 9  | 62677   | RETAINER, SPRING (2)                |
| 10 | 62676   | SPRING, AGITATE                     |
| 11 | 63273   | GEAR, AGITATE (INCLUDES 15 & 29)    |
| 12 | 62619   | WASHER, AGITATE GEAR                |
| 13 | 62580   | CAM FOLLOWER (INCLUDES 14)          |
| 14 | 62581   | CAM, AGITATE (INCLUDES 13)          |
| 15 | 285509  | SHAFT, AGITATOR (INCLUDES 11 & 29)  |
| 16 | 62618   | WASHER, CAM THRUST                  |
| 17 | 16018   | BEARING, THRUST (INCLUDES 18)       |
| 18 | 85529   | BALL, BEARING (INCLUDES 17)         |
| 19 | 389230  | BOTTOM AND PINION, GEARCASE         |
| 20 | 3949116 | BLOCK TAB, TERMINAL                 |
| 21 | 285352  | SEAL, THRUST PLUG                   |
| 22 | 3351614 | SCREW, GEARCASE COVER MOUNTING (8)  |
| 23 | 3362552 | RING, RETAINING                     |
| 24 | 285735  | WASHER KIT, THRUST                  |
| 25 | 62570   | GEAR, SPIN                          |
| 26 | 388253  | NEUTRAL ASSEMBLY                    |
| 27 | 3349296 | RACK, CONNECTING                    |
| 28 | 62621   | ACTUATOR, SHIFT                     |
| 29 | 388815  | WASHER, INTERMEDIATE                |

**7MLTG8234PQ1 FLECHA HUECA**

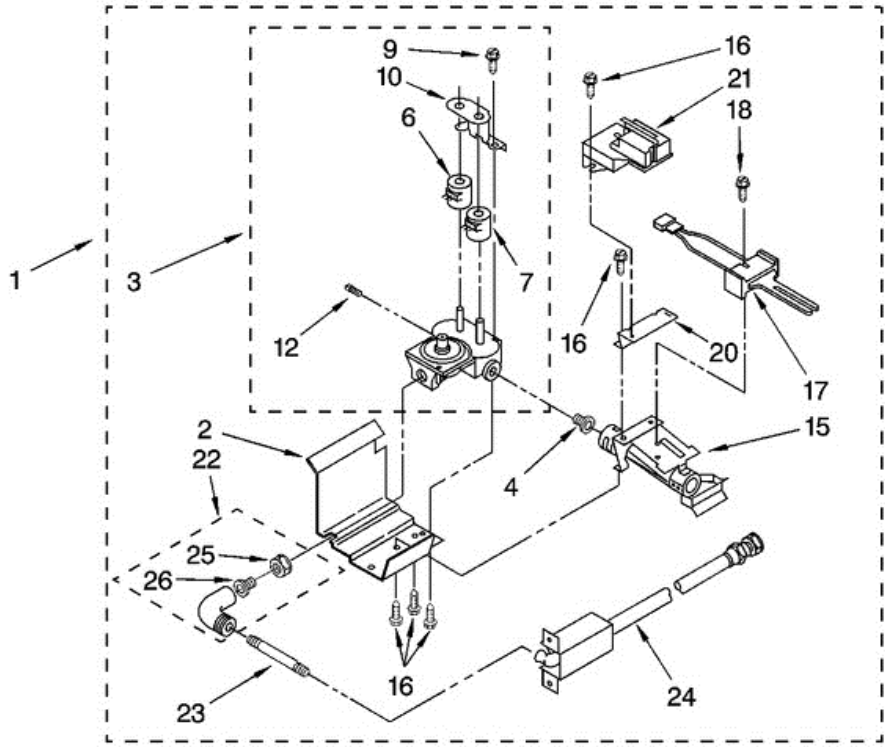




## 7MLTG8234PQ1 FLECHA HUECA

|    |         |  |
|----|---------|--|
| 1  | 388951  | BRAKE AND DRIVE TUBE (COMPLETE)                  |
| 2  | 62658   | RING, THRUST                                     |
| 3  | 356427  | SEAL, DRIVE TUBE                                 |
| 4  | 64027   | TUBE, BASKET DRIVE (INCLUDES ILLUS. 3, 4, 5 & 9) |
| 5  | 64035   | RING, RETAINING                                  |
| 6  | 64232   | SHOE, BRAKE (2)                                  |
| 7  | 62703   | ``T`` BEARING, SPIN TUBE                         |
| 8  | 3353956 | CAP, BRAKE SPRING (2)                            |
| 9  | 62647   | SPRING, BRAKE                                    |
| 10 | 3355360 | SLEEVE, BRAKE SPRING                             |
| 11 | 661516  | CAM, BRAKE RELEASE                               |
| 12 | 63022   | SLEEVE, CAM                                      |
| 13 | 64194   | DRIVER, BRAKE CAM                                |
| 14 | 285208  | LUBRICANT  |
| 14 | 90368   | RING, RETAINING                                  |

**7MLTG8234PQ1 QUEMADOR**





## 7MLTG8234PQ1 QUEMADOR

|    |         |   |
|----|---------|---|
| 1  | 3401795 | BURNER ASSEMBLY 60 HZ.                            |
| 2  | 3391699 | BASE, BURNER                                      |
| 3  | 3401776 | VALVE, 60 HZ.                                     |
| 4  | 15422   | ORIFICE (L.P. GAS)                                |
| 4  | 3394360 | ORIFICE, NATURAL GAS                              |
| 6  | 694539  | COIL, 60 HZ. (SPLIT)                              |
| 7  | 694540  | COIL, 60 HZ.                                      |
| 9  | 694421  | SCREW, 8-32                                       |
| 10 | 694538  | BRACKET, SHUNT                                    |
| 12 | 239822  | PIPE, PLUG  |
| 15 | 3392268 | BURNER  |
| 16 | 3387057 | SCREW, 8-18 X 3/8                                 |
| 17 | 686590  | IGNITOR   |
| 18 | 3393909 | SCREW AND WASHER 8-32 X 1                         |
| 20 | 697409  | BRACKET, SENSOR                                   |
| 21 | 338906  | SENSOR, RADIANT                                   |
| 22 | 3406051 | ELBOW UNION ASSEMBLY                              |
| 23 | 3391845 | NIPPLE, SHORT                                     |
| 24 | 3391118 | SUPPLY LINE (GAS)                                 |
| 25 | 233076  | NUT   |
| 26 | 3392235 | CONVERSION KIT (TYPE 1, 2 & 3) TO TYPE (4) L.P.G. |
| 26 | 3393767 | PIPE  |