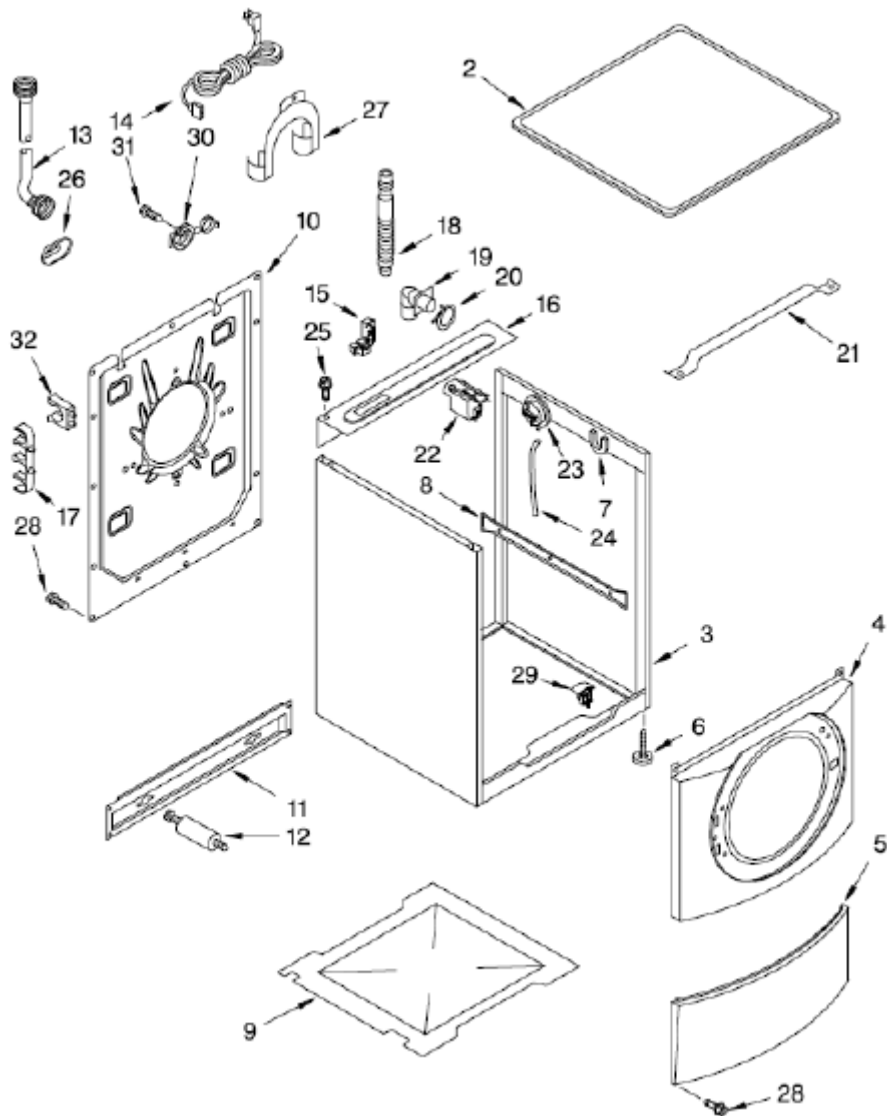


7MMFE8999SW0 GABINETE

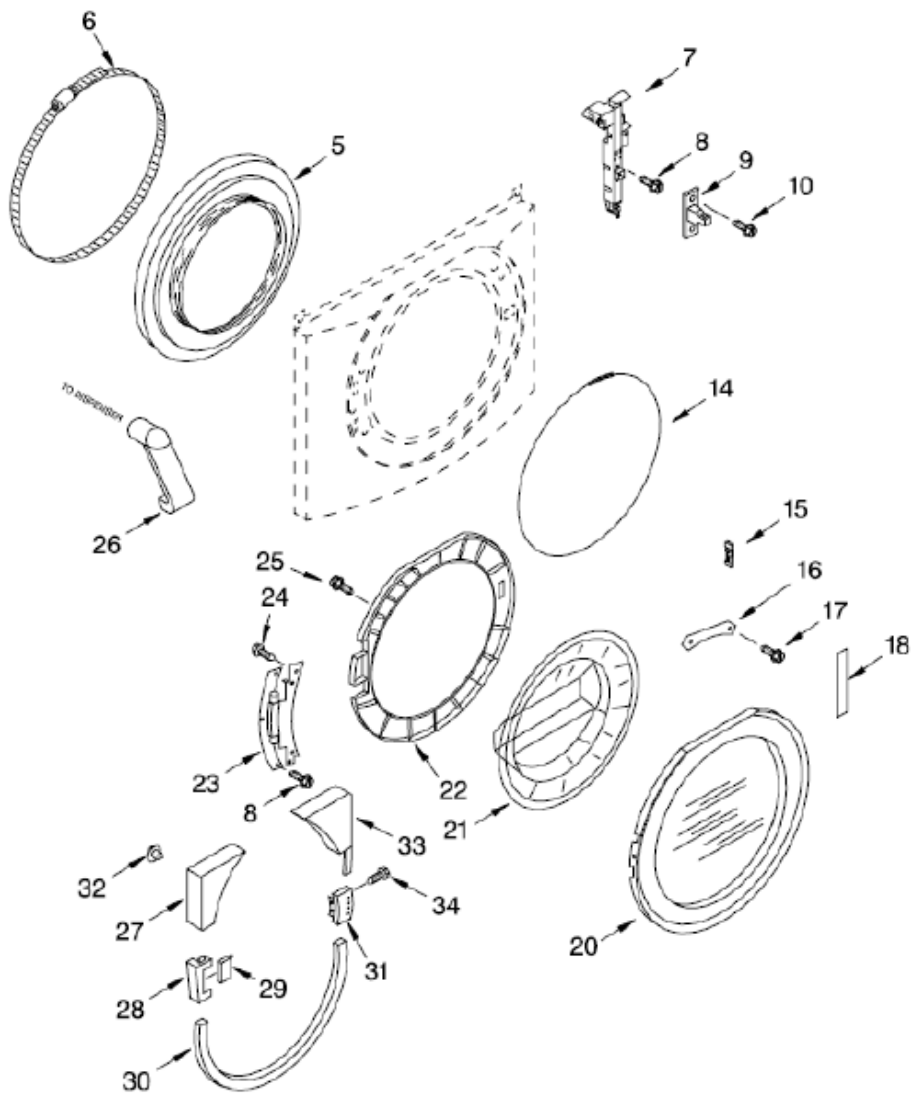




7MMFE8999SW0 GABINETE

2	8181641	TOP
3	8182609	CABINET
4	8182605	PANEL, FRONT
5	8181643	TOE PANEL
6	8181636	FOOT, LEVELING
7	8181763	BRACKET, SPRING
8	8183008	BRACE, SIDE PANEL
9	8181635	PAN, BOTTOM
10	8182698	PANEL, REAR
11	8182661	BRACE, TRANSPORT
12	8182797	BOLT, SHIPPING (UPPER)
	8182798	BOLT, SHIPPING (LOWER)
13	8182795	HOSE, WATER INLET (BLUE COUPLER)
	8182792	HOSE, WATER INLET (RED COUPLER)
14	8183009	CORD, POWER
15	8181690	STRAIN RELIEF
16	8182607	BRACE, REAR
17	8182701	CLIP, DRAIN HOSE
18	8181737	HOSE, DRAIN (OUTER)
19	8181738	CONNECTOR, DRAIN HOSE
20	8181752	CLAMP, HOSE
21	8181632	BRACE, TOP
22	8183019	FILTER, INTERFERENCE
23	8181695	SWITCH, PRESSURE
24	8181739	HOSE, PRESSURE SWITCH
25	8181691	SCREW
26	8182700	COVER, TRANSPORT
27	8181768	STORAGE, HOSE
28	8181828	SCREW
29	8182830	MICROSWITCH
30	8182699	SLEEVE, CORD SUPPORT
31	8182201	SCREW, 3 X 8 MM
32	8182702	CLIP, OUTER HOSE HOLDER

7MMFE8999SW0 PUERTA

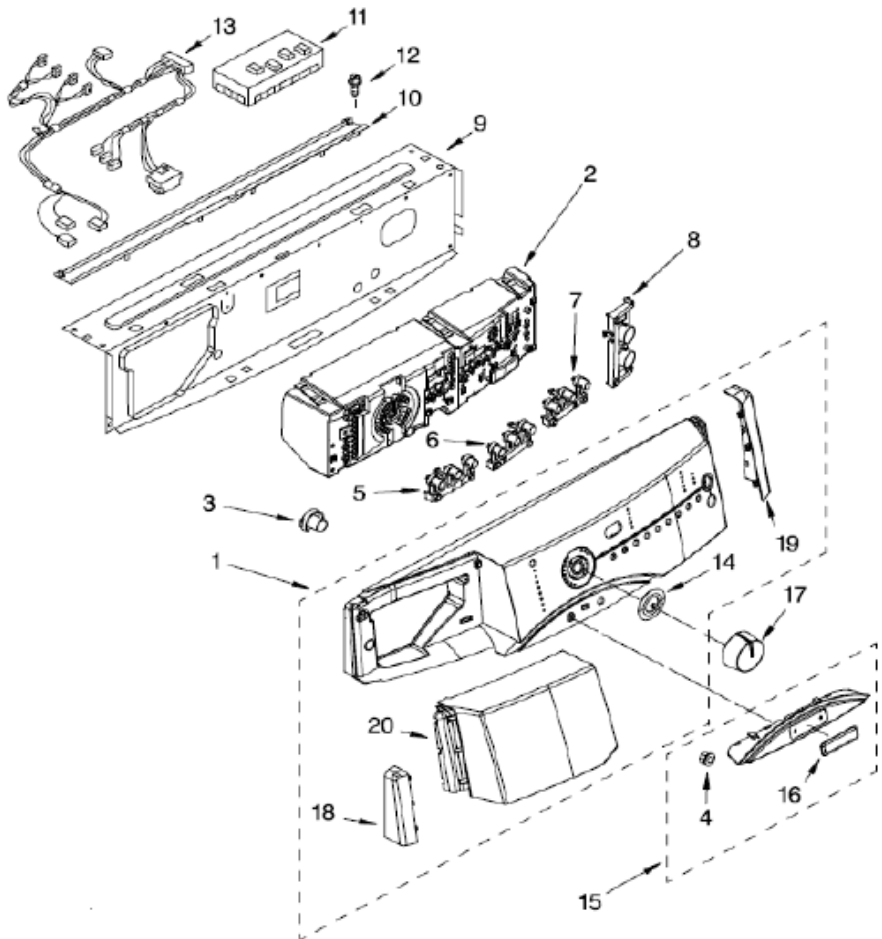




7MMFE8999SW0 PUERTA

5	8182119	BELLOW
6	8182210	CLAMP, BELLOW (REAR)
7	8182634	LOCK, DOOR
8	8181760	SCREW
9	8181651	HOOK, DOOR
10	8181758	SCREW
14	8182211	CLAMP, BELLOW (FRONT)
15	8181659	CLAMP, SUPPORT
16	8181650	CLAMP, GLASS
17	8181785	SCREW
18	8182153	FOAM, DOOR HANDLE
20	8182151	DOOR FRAME, ASSEMBLY
21	8181655	GLASS, DOOR
22	8182628	DOOR BACK SUPPORT
23	8181843	HINGE, DOOR
24	8181660	SCREW
25	8181661	SCREW
26	8181718	TUBE, DISPENSER TO BELLOW
27	8182592	TRIM, UPPER LEFT
28	8182595	COVER, HINGE (OUTER)
29	8182596	COVER, HINGE (INNER)
30	8182594	TRIM, LOWER
31	8182591	HANDLE, DOOR
32	8182779	CLIP, TRIM
33	8182593	TRIM, UPPER RIGHT
34	8181759	SCREW

7MMFE8999SW0 TABLERO





7MMFE8999SW0 TABLERO

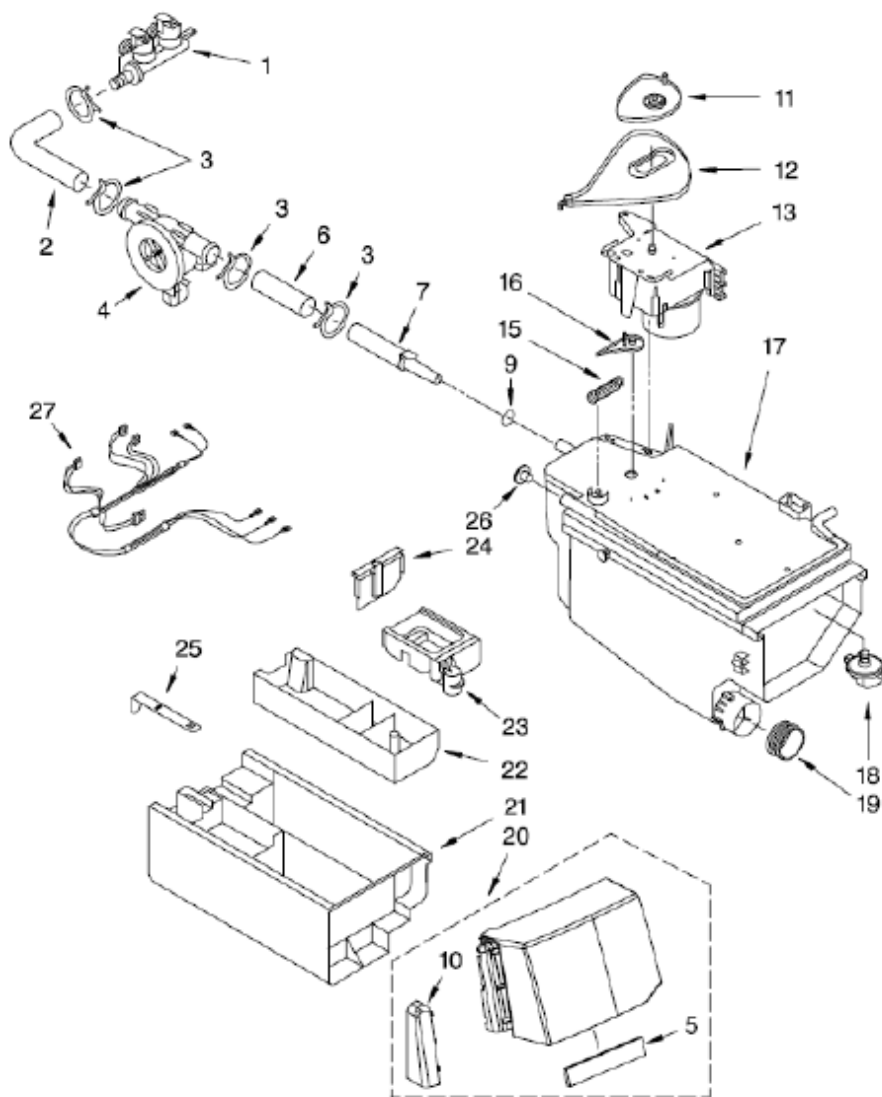
1	8183056	PANEL, CONTROL
2	8182150	USER INTERFACE
3	8182601	BUTTON, POWER
4	8182183	PAL-NUT
5	8182604	BUTTON SET, LEFT
6	8182603	BUTTON SET, MIDDLE
7	8182602	BUTTON SET, RIGHT
8	8182180	BUTTON SET, START
9	8182224	BRACE, FRONT TOP
10	8181640	CHANNEL, WATER
11	8182774	MICROCOMPUTER, MACHINE CONTROL
12	8181756	SCREW
13	8182212	HARNESS, WIRING (MAIN)
14	8182171	BEZEL, KNOB
15	8183058	OVERLAY, DOOR
16	8183059	MEDALLION
17	8182175	KNOB, CONTROL
18	8182599	ENDCAP, LEFT
19	8182600	ENDCAP, RIGHT
20	8183057	HANDLE, DRAWER

Distribuidor Autorizado

SurteRápido.com

Venta de Refacciones
Electrodomesticas

7MMFE8999SW0 DESPACHADOR

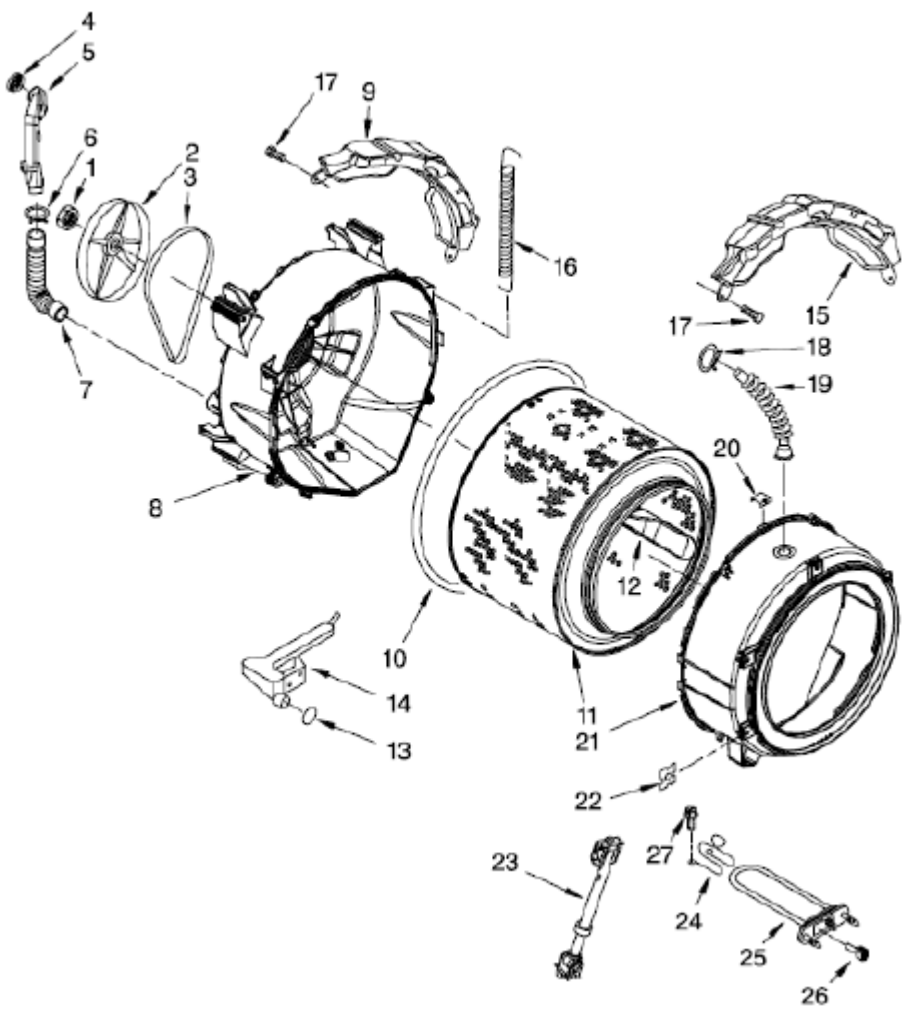




7MMFE8999SW0 DESPACHADOR

1	8182862	VALVE, INLET
2	8181710	HOSE, FLOWMETER (L-SHAPED)
3	8181751	CLAMP
4	8181696	FLOWMETER
5	8182173	CUSHION, HANDLE
6	8181708	HOSE, FLOWMETER
7	8183010	NOZZLE, INLET
9	8181714	O-RING
10	8182599	ENDCAP
11	8181726	CAM, ACTUATOR
12	8181725	LEVER, WATER DISTRIBUTION
13	8181723	ACTUATOR
15	8181727	SPRING, LEVER
16	8181724	CONNECTION, LEVER
17	8183032	DISPENSER
18	8181712	NOZZLE, DISTRIBUTION
19	8181747	SEAL
20	8183057	HANDLE, DRAWER
21	8181720	DRAWER, DETERGENT
22	8181722	CONTAINER, DETERGENT
23	8182665	SIPHON, BLEACH/SOFTENER
24	8181730	SEPARATOR
25	8181721	HOOK, DRAWER
26	8182123	CAP
27	8183022	HARNES, WIRING (INLET VALVE)

7MMFE8999SW0 TINAS

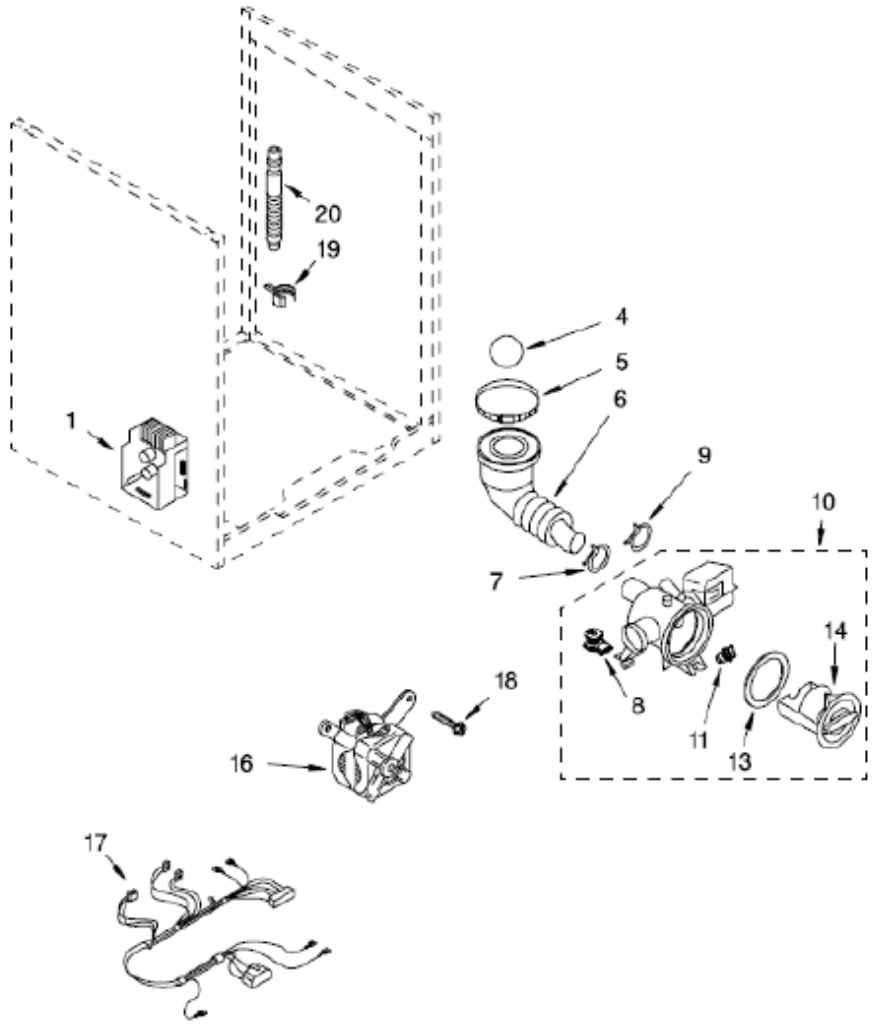




7MMFE8999SW0 TINAS

1	8182132	NUT, PULLEY
2	8182650	PULLEY
3	8182633	BELT
4	8183030	GRID, VENTILATION
5	8181744	PIPE, VENTILATION
6	8181746	CLAMP
7	8181743	HOSE, EXHAUST
8	8181666	TUB, REAR
9	8181644	COUNTERWEIGHT, REAR
10	8181673	GASKET, TUB
11	8182247	BASKET
12	8182233	BAFFLE, TUB
13	8181748	O-RING
14	8181731	AIRTRAP
15	8181645	COUNTERWEIGHT, FRONT
16	8182814	SPRING, SUSPENSION
17	8181647	BOLT
18	8181742	CLAMP
19	8181794	HOSE, TUB TO DISPENSER
20	8181667	CLAMP
21	8181665	TUB, FRONT
22	8181648	NUT, PUSH-IN
23	8182812	SHOCK ABSORBER
24	8181686	CLAMP, HEATING ELEMENT
25	8182666	ELEMENT, HEATING
26	8181705	NTC
27	8181687	SCREW

7MMFE8999SW0 BOMBA / MOTOR





7MMFE8999SW0 BOMBA / MOTOR

1	8182706	MOTOR CONTROL UNIT
4	8181733	BALL
5	8181734	CLAMP
6	8181732	HOSE, TUB TO PUMP
7	8181753	CLAMP
8	8182820	GROMMET, DAMPER (REAR)
9	8181752	CLAMP
10	8182821	PUMP (COMPLETE)
11	8182816	GROMMET, DAMPER (FRONT)
13	8181736	SEAL, FILTER CAP
14	8183027	CAP, FILTER
16	8182793	MOTOR
17	8183035	HARNESS, MOTOR
18	8181761	BOLT, MOTOR
19	8181755	RETAINER, DRAIN HOSE
20	8181740	DRAIN HOSE (INNER)