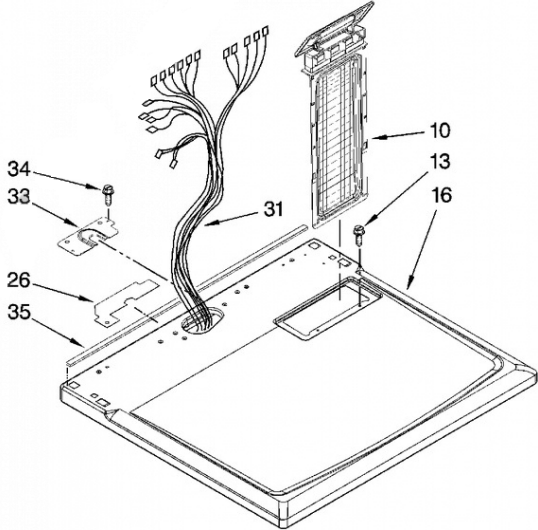
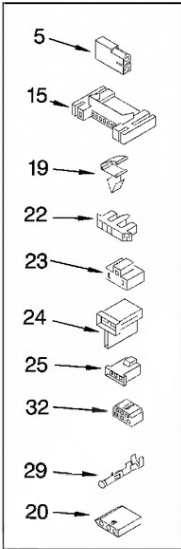
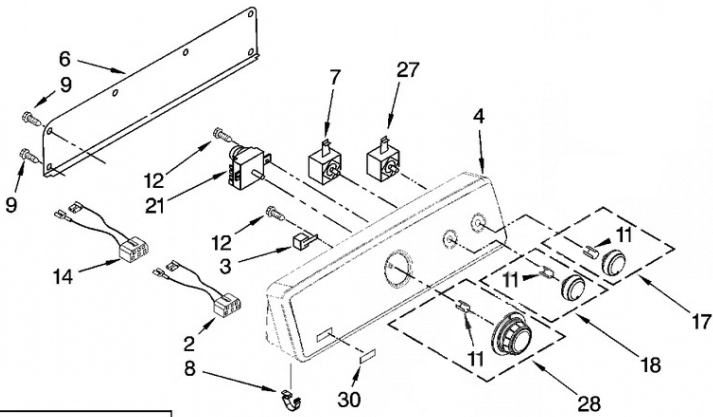


7MMGD6630TM0 TABLERO





7MMGD6630TM0 TABLERO

2	W10119078	WIRE, JUMPER MINI-BUZZER (S/P)
3	694419	BUZZER, MINI (S/P)
4	W10144637	CONSOLE & SHELL ASSEMBLY (S/P)
4	W10144635	CONSOLE & SHELL ASSEMBLY (S/P)
5	717252	PLUG, 2-WAY TERMINAL (S/P)
6	W10112576	PANEL, REAR CONSOLE (S/P)
7	3405152	SWITCH, WRINKLE GAURD (S/P)
8	8312709	CLIP-CONSOLE (2)
9	693995	SCREW, HEX WASHER HEAD DESCONTINUADO
10	8565972	SCREEN, LINT (S/P)
11	8536939	CLIP, SPRING (S/P)
12	8533971	SCREW, 8-18 X 5/16 (S/P)
13	688983	SCREW, 8-18 X 5/8 (S/P)
14	W10119077	WIRE, JUMPER GAURD ON/OFF (S/P)
15	3395683	CONNECTOR (MOTOR) (S/P)
16	W10112599	TOP (S/P)
17	W10110031	KNOB, PUSH-TO-START (S/P)
18	W10110029	KNOB, CONTROL (1) (S/P)
19	3394427	CLIP-HARNESS (S/P)
20	3936144	CONNECTOR (S/P)
21	3976584	TIMER ASSEMBLY (60 HZ.)
22	3397269	CONNECTOR-TIMER (S/P)
23	3401144	CONNECTOR, (PTS RELAY) (S/P)
24	3403499	CONNECTOR, 2-POSITION (GAS VALVE) (S/P)
25	3403498	CONNECTOR, 3-POSITION (GAS VALVE) (S/P)
26	W10118608	SEAL, HARNESS (S/P)
27	W10156101	SWITCH, PUSH-TO-START (S/P)
28	W10110030	TIMER-KNOB ASSEMBLY (S/P)
29	94614	TERMINAL, FEMALE (S/P)
30	W10203949	BADGE-ASSEMBLY (S/P)
31	W10119079	HARNESS, WIRING (S/P)
32	3347243	CONNECTOR 6-CIRCUIT (S/P)
33	8565981	BRACKET-HARNESS (S/P)

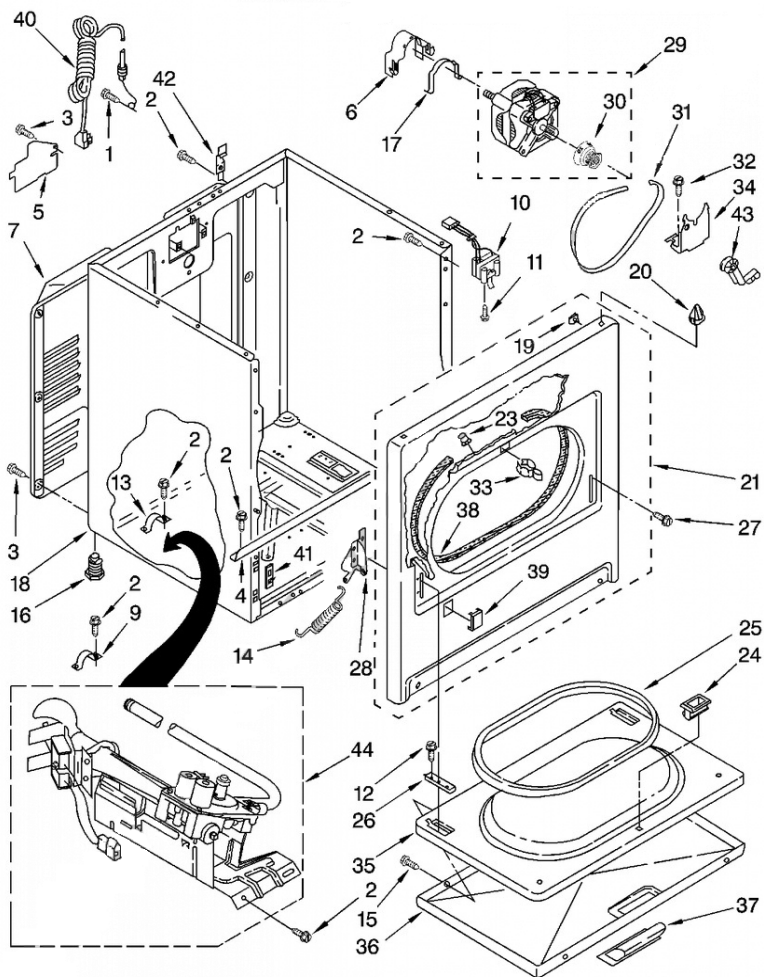
34	359625	SCREW, 8-18 X 3/4 (S/P)
35	W10112267	FOAM-SEAL CONTROL BRACKET (S/P)

Distribuidor Autorizado

SurteRápido.com

Venta de Refacciones
Electrodomesticas

7MMGD6630TM0 GABINETE





7MMGD6630TMO GABINETE

1	697776	SCREW, 10-32 X 5/8 (EXTERNAL GROUND) (S/P)
2	343641	SCREW, 10-16 X 1/2 (S/P)
3	693995	SCREW, HEX HEAD DESCONTINUADO
4	8541400	BRACKET, CABINET (S/P)
5	3396795	COVER, BLOCK (S/P)
6	3404162	CLAMP, MOTOR (W/SHIELD) (S/P)
7	280043	PANEL, REAR (S/P)
9	3980175	CLAMP-ELBOW (S/P)
10	3406107	DOOR SWITCH ASSEMBLY
11	697773	SCREW, 6-20 X 7/8 (S/P)
12	694091	SCREW, 8-18 X 3/8 (S/P)
13	341029	CLAMP, PIPE (S/P)
14	W10041960	SPRING-DOOR (2) (S/P)
15	3357011	SCREW, 10-16 X 1/2 (S/P)
16	279810	FOOT-OPTIONAL (EXTENDED LENGTH) (S/P)
16	3392100	FOOT, DRYER
17	343481	CLAMP, MOTOR (S/P)
18	8533643	CABINET (INCLUDES ILLUS. 4) (S/P)
19	98234	CLIP, GROUND (2) (S/P)
20	18776	LOCK, FRONT TOP (2)
21	279740	PANEL FRONT (S/P)
23	279220	CLIP, FELT PAD (2) (S/P)
24	3389441	CATCH, DOOR ASSEMBLY (S/P)
25	3390731	SEAL, DOOR
26	337189	HINGE-CLIP (S/P)
27	342043	SCREW, 10-32 X 3/8 (S/P)
28	8066057	HINGE DOOR (HINGE, L.H.) (S/P)
28	8066056	HINGE DOOR (HINGE, R.H.) (S/P)
29	279827	MOTOR ASSEMBLY
30	8066184	PULLEY-60 HZ. (S/P)
31	341241	BELT, DRIVE
32	3400500	BOLT, 5/16-18 X 3/4 (S/P)
33	279570	STRIKE, PANEL

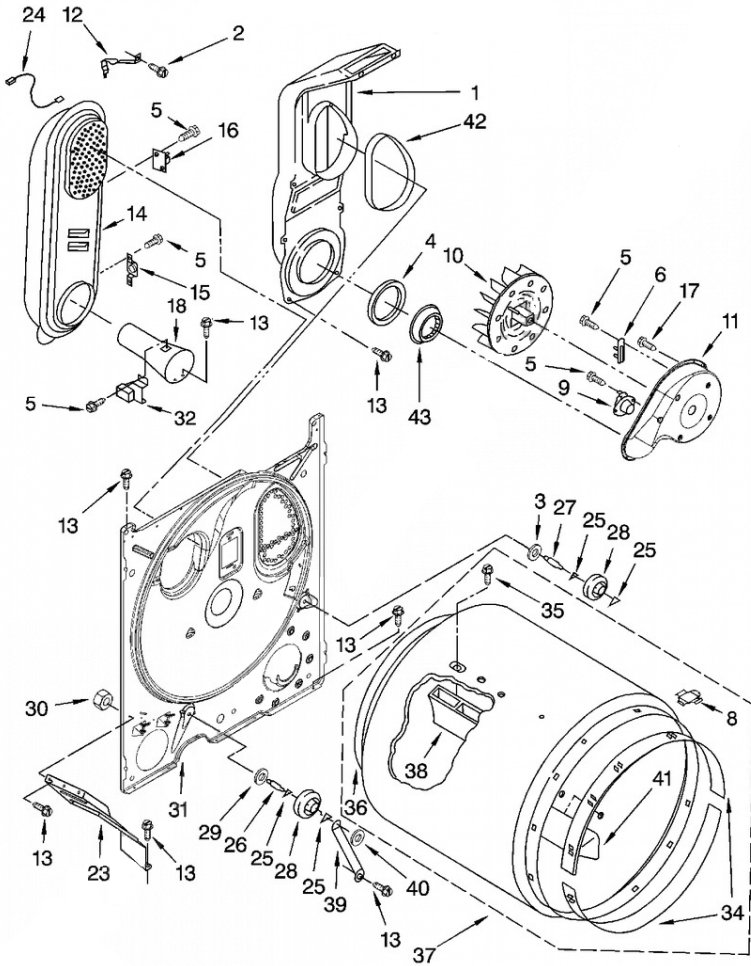
34	348780	BASE, MOTOR (S/P)
35	695737	DOOR, REAR (S/P)
36	3393549	DOOR, FRONT (S/P)
37	W10116360	HANDLE, DOOR (S/P)
38	3406129	SEAL & BEARING ASSEMBLY
39	3394975	PLUG, FRONT PANEL (S/P)
40	3401402	CORD, POWER (S/P)
41	3394083	CLIP, FRONT PANEL
42	8066217	HINGE, TOP (2) (S/P)
43	691366	IDLER & PULLEY ASSEMBLY
44	279990	BURNER ASSEMBLY, 60 HZ. (S/P)

Distribuidor Autorizado

SurteRápido.com

Venta de Refacciones
Electrodomesticas

7MMGD6630TM0 TAMBOR



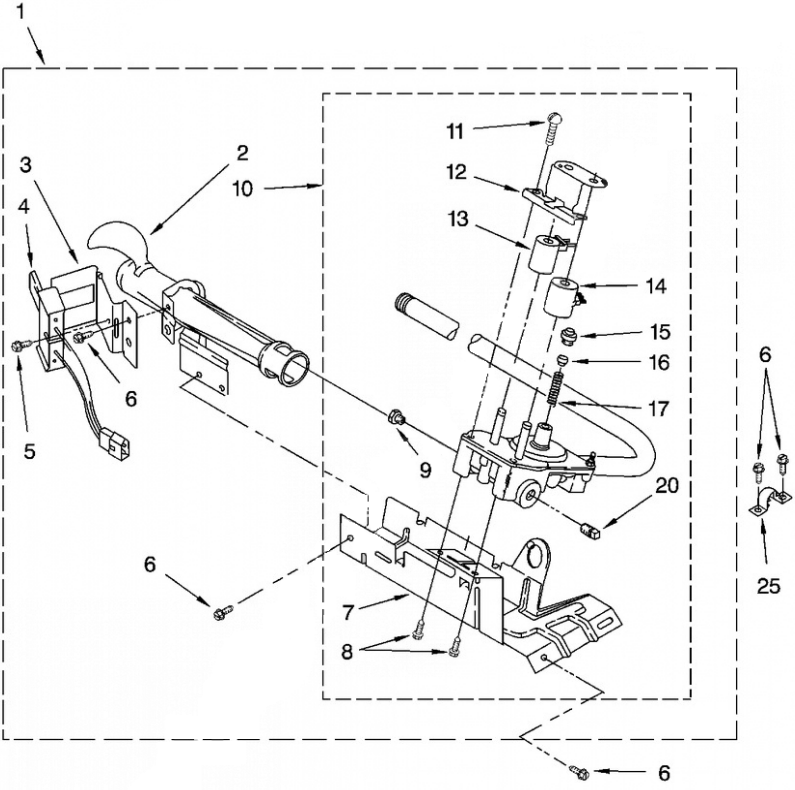


7MMGD6630TM0 TAMBOR

1	3396352	LINT CHUTE ASSEMBLY (S/P)
2	489463	SCREW, 8-18 X 5/8 (S/P)
3	3388703	WASHER-SUPPORT (S/P)
4	347139	SEAL, LINT CHUTE (S/P)
5	90767	SCREW, 8-18 X 3/8 (S/P)
6	3392519	THERMAL-FUSE (91 C)
8	8066086	DRUM HOLE PLUG (S/P)
9	3387134	THERMOSTAT, INTERNAL-BIAS
10	694089	WHEEL, BLOWER
11	8577230	HOUSING, BLOWER (S/P)
12	8066155	CLIP (S/P)
13	343641	SCREW, 10-16 X 1/2 (S/P)
14	279980	BOX, HEATER (S/P)
15	3403140	THERMOSTAT, 205 F (96 C)
16	279769	KIT, THERMAL CUT-OFF (INCLUDES ILLUS. 15)
17	3390647	SCREW, 8-18 X 1/2 (S/P)
18	8066049	FUNNEL, BURNER (S/P)
23	3406022	BRACKET, BULKHEAD (S/P)
24	3401707	WIRE, JUMPER (S/P)
25	690997	RING, TRI (S/P)
26	3399506	SHAFT, L.H.
27	339489	SHAFT, R.H.
28	349241	ROLLER, SUPPORT
29	348197	WASHER, SUPPORT (S/P)
30	3359452	NUT, 3/8-16 (S/P)
31	279796	BULKHEAD (S/P)
32	338906	SENSOR, RADIANT
34	279441	RING, BEARING
35	W10109200	SCREW, 11-16 X 3/4 (S/P)
36	279857	SEAL, REAR DRUM
37	695587	DRUM ASSEMBLY (S/P)
38	692490	BAFFLE, DRUM (2) (S/P)
39	3976434	BRACKET, SUPPORT (S/P)

40	90296	CLIP (S/P)
41	3403636	BAFFLE, DRUM (1) (S/P)
42	339956	SEAL (S/P)
43	696302	SHIELD, EXHAUST (S/P)

7MMGD6630TM0 QUEMADOR





7MMGD6630TM0 QUEMADOR

1	8318272	BURNER ASSEMBLY 60 HZ. (TYPE 1) (S/P)
2	688617	TUBE, BURNER (S/P)
3	694298	BRACKET, IGNITOR (S/P)
4	WE4X750	IGNITOR
5	3393909	SCREW & WASHER (8-32 X 5/8) (S/P)
6	343641	SCREW, 10-16 X 1/2 (S/P)
7	693986	BASE, BURNER DESCONTINUADO
8	3387057	SCREW, 8-18 X 3/8 (S/P)
9	229742	ORIFICE, BURNER (TYPE 4 (BUTANE)) (S/P)
9	234826	ORIFICE, BURNER (TYPE 1) (S/P)
9	234868	ORIFICE, BURNER (TYPE 4 (PROPANE)) (S/P)
10	8318277	VALVE, 60 HZ. (INCLUDES PIPE & ILLUS. 7)
11	694421	SCREW, 8-32 X 1/2 (2) (S/P)
12	694538	BRACKET, COIL (S/P)
13	694540	COIL, 60 HZ. (2 TERMINAL) (MAIN) (S/P)
14	694539	COIL, 60 HZ. (SPLIT) (3 TERMINAL) (S/P)
15	694424	LEAK LIMITER (S/P)
16	694423	SCREW, REGULATOR ADJUSTMENT (S/P)
17	694422	SPRING, REGULATOR (S/P)
20	239822	PLUG, PIPE (S/P)
25	341029	CLAMP, PIPE (S/P)
25	694572	CONVERSION KIT (TYPE 1) TO TYPE (4) L.P.G.