

EXPLOSIONADO DE PARTES

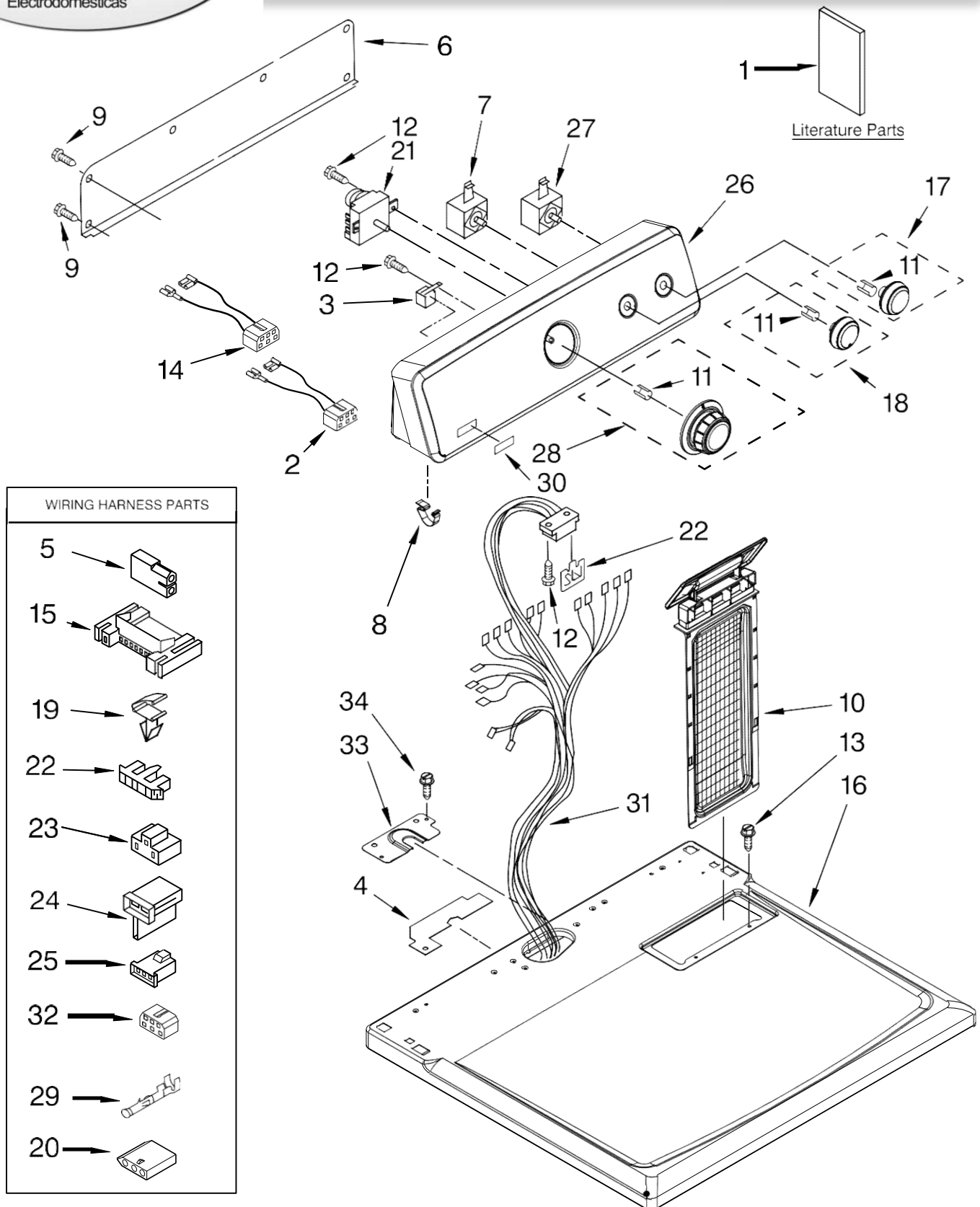


SECADORAS DE IMPORTACION

Modelo

7MMGD6630TM1

SECADORA 7MMGD6630TM1



FOR ORDERING INFORMATION REFER TO PARTS PRICE LIST

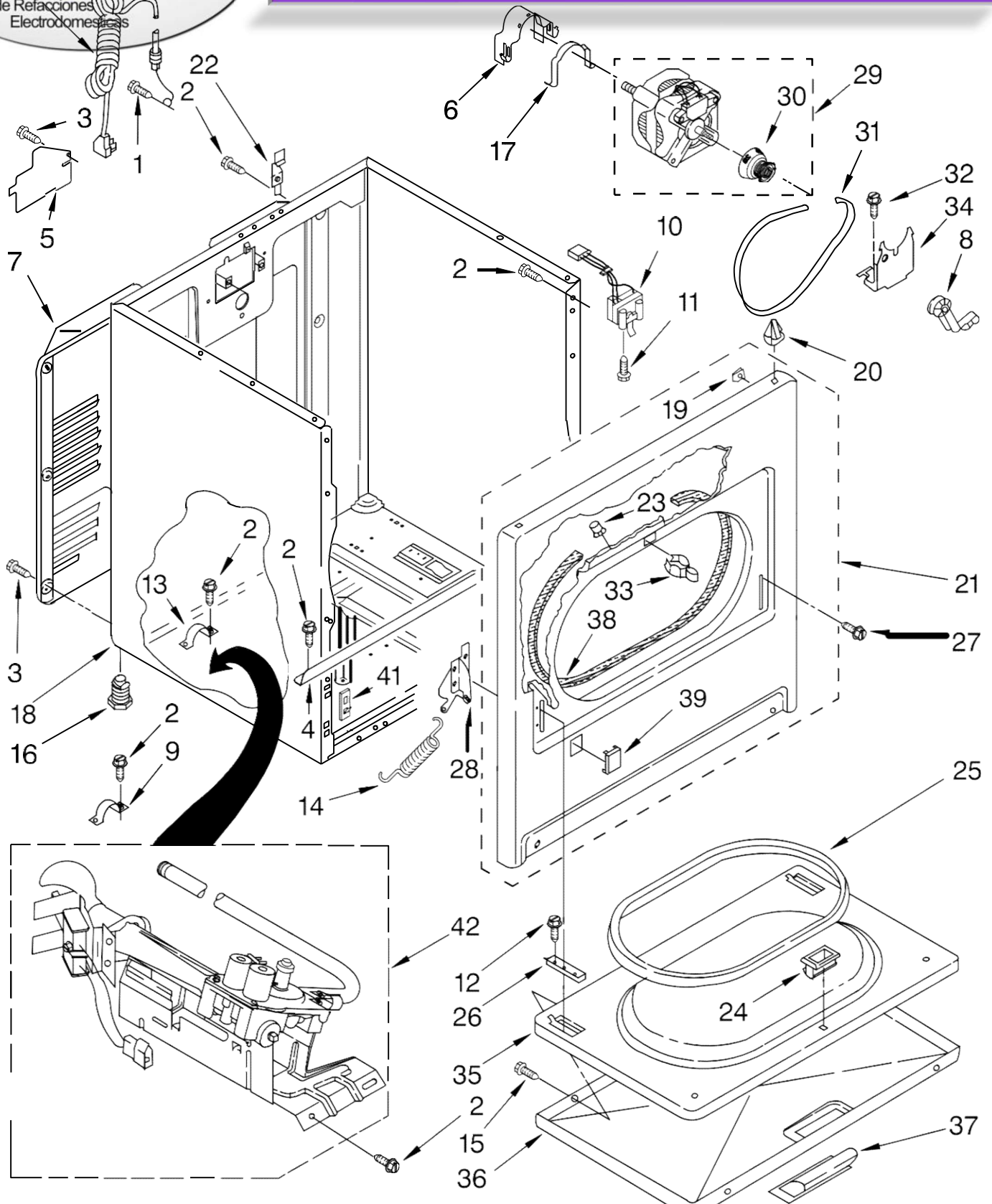
SECADORA 7MMGD6630TM1

Illus. No.	Part No.	DESCRIPTION
1		Literature Parts
	W10118198	Use & Care Guide
	8576793	Wiring Diagram
	W10118199	Sheet, Cycle Feature
2	W10119078	Wire, Jumper
		Mini-Buzzer
3	694419	Buzzer, Mini
4	W10112603	Seal-Harness
5	717252	Plug, 2-Way
		Terminal
6	W10112577	Panel, Rear
		Console
7	3405152	Switch, Wrinkle Gaurd
8	8312709	Clip-Console (2)
9	693995	Screw, Hex
		Washer Head
10	8565972	Screen, Lint
11	8536939	Clip, Spring
12	8533971	Screw, 8-18 x 5/16

Illus. No.	Part No.	DESCRIPTION
13	688983	Screw, 8-18 x 5/8
14	W10119077	Wire, Jumper
		Gaurd On/Off
15	3395683	Connector
		(Motor)
16	W10112597	Top
17	W10110031	Knob,
		Push-To-Start
18	W10110029	Knob, Control (1)
19	3394427	Clip-Harness
20	3936144	Connector
21	3976584	Timer Assembly
		(60 Hz.)
22	3397269	Connector-Timer
23	3401144	Connector,
		(PTS Relay)
24	3403499	Connector,
		2-Position
		(Gas Valve)

Illus. No.	Part No.	DESCRIPTION
25	3403498	Connector,
		3-Position
		(Gas Valve)
26		Console & Control
		Panel Assembly
		(Includes,
		Illus. 8 & 30)
	W10116404	White
	W10116403	White / Metallic
27	3977456	Switch,
		Push-To-Start
28	W10110030	Timer-Knob
		Assembly
29	94614	Terminal, Female
30	W10112569	Badge-Assembly
31	W10129558	Harness, Wiring
32	3347243	Connector
		6-Circuit
33	W10112578	Bracket-Harness
34	359625	Screw, 8-18 x 3/4

SECADORA 7MMGD6630TM1



FOR ORDERING INFORMATION REFER TO PARTS PRICE LIST

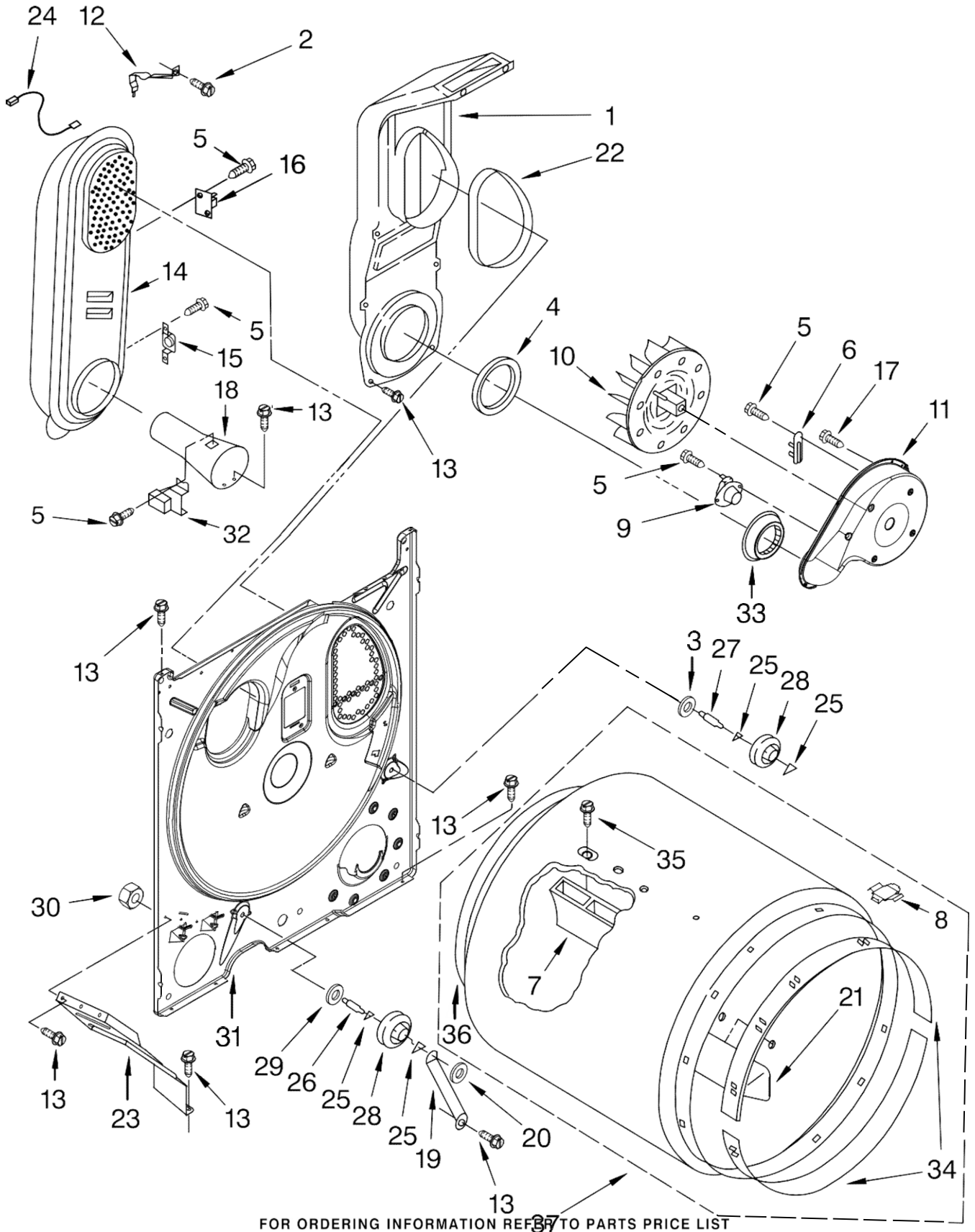
SECADORA 7MMGD6630TM1

Illus. No.	Part No.	DESCRIPTION
1	697776	Screw, 10-32 x 5/8 (External Ground)
2	343641	Screw, 10-16 x 1/2
3	693995	Screw, Hex Head
4	8541400	Bracket, Cabinet
5	3396795	Cover, Block
6	3404162	Clamp, Motor (W/Shield)
7	3396805	Panel, Rear
8	691366	Idler & Pulley Assembly
9	3980175	Clamp-Elbow
10	3406109	Door Switch Assembly
11	697773	Screw, 6-20 x 7/8
12	694091	Screw, 8-18 x 3/8
13	341029	Clamp, Pipe
14	W10041960	Spring-Door (2)
15	3357011	Screw, 10-16 x 1/2

Illus. No.	Part No.	DESCRIPTION
16	3392100	Foot, Dryer
	279810	Foot-Optional (Extended Length) (Package of 2) (Not Included.)
17	660658	Clamp, Motor
18	8530603	Cabinet (Includes Illus. 4)
19	98234	Clip, Ground (2)
20	690363	Lock, Front Top (2)
21	3395197	Panel Front
22	8066217	Hinge, Top (2)
23	685203	Clip, Felt Pad (2)
24	3389441	Catch, Door Assembly
25	3390731	Seal, Door
26	337189	Hinge-Clip
27	342043	Screw, 10-32 x 3/8
28		Hinge Door
	8066056	Hinge, R.H.
	8066057	Hinge, L.H.

Illus. No.	Part No.	DESCRIPTION
29	8066206	Motor Assembly
30	8066184	Pulley-60 Hz.
31	8066065	Belt, Drive
32	3400500	Bolt, 5/16-18 x 3/4
33	696144	Strike, Panel
34	348780	Base, Motor
35	695737	Door, Rear
36	3393549	Door, Front
37	W10116360	Handle, Door
38	3406129	Seal & Bearing Assembly
39	3394975	Plug, Front Panel
40	344020	Cord, Power
41	3394083	Clip, Front Panel
42	8318272	Burner Assembly, 60 Hz. (See Pages 7 & 8 For Further Burner Breakdown)

SECADORA 7MMGD6630TM1



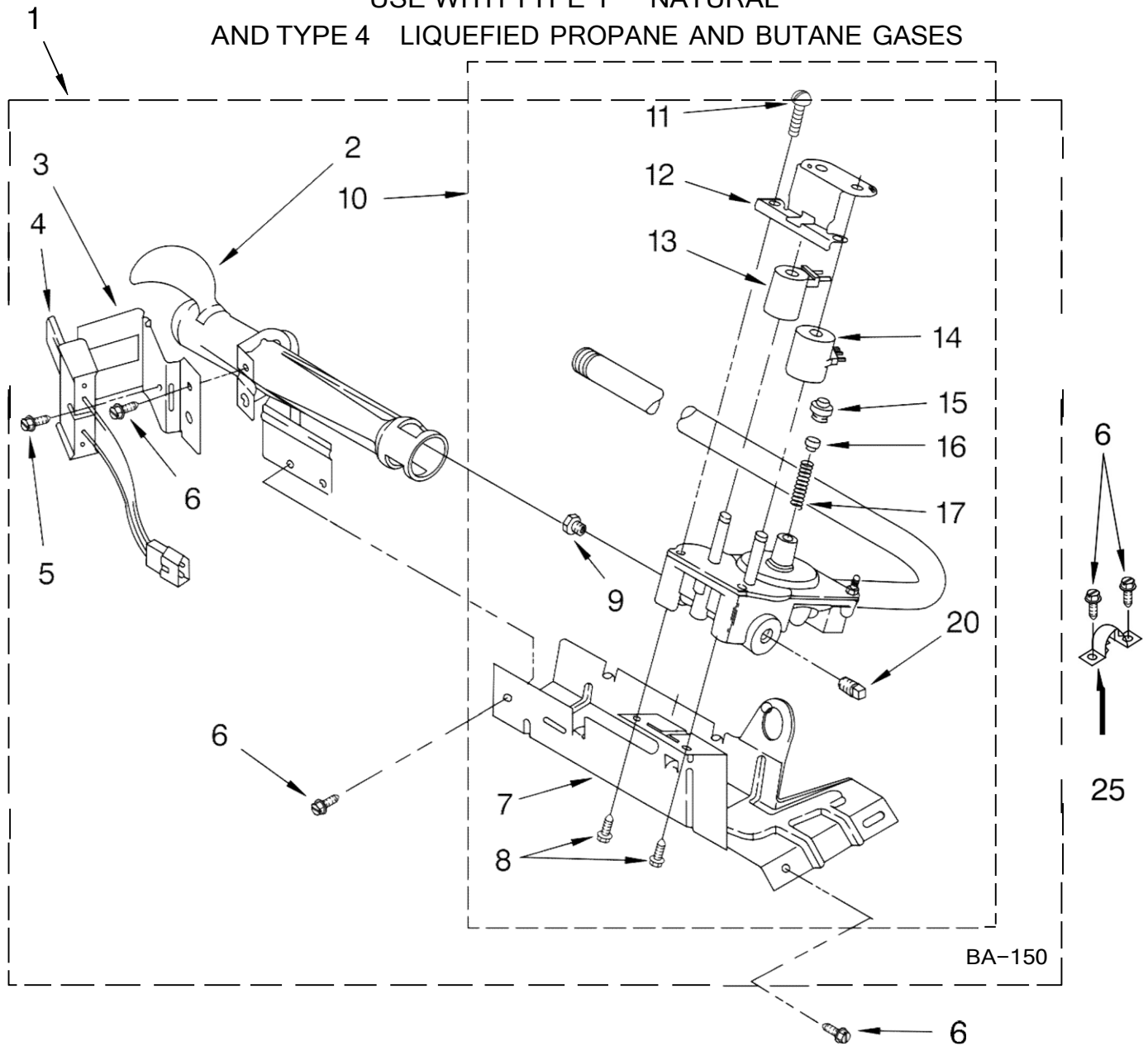
FOR ORDERING INFORMATION REFER TO PARTS PRICE LIST

SECADORA 7MMGD6630TM1

Illus. No.	Part No.	DESCRIPTION
1	348368	Lint Chute Assembly
2	489463	Screw, 8-18 x 5/8
3	3388703	Washer-Support
4	347139	Seal, Lint Chute
5	90767	Screw, 8-18 x 3/8
6	3392519	Thermal-Fuse (91°C)
7	692490	Baffle, Drum (2)
8	8066086	Drum Hole Plug
9	3387134	Thermostat, Internal-Bias
10	694089	Wheel, Blower
11	8577230	Housing, Blower
12	8066155	Clip, Heater Box
13	343641	Screw, 10-16 x 1/2
14	8530285	Box, Heater
15	3403140	Thermostat, 205 F (96°C)
16	280010	Kit, Thermal Cut-Off (Includes Illus. 15)
17	3390647	Screw, 8-18 x 1/2
18	8066049	Funnel, Burner
19	3976434	Bracket, Support
20	90296	Clip
21	3403636	Baffle, Drum (1)
22	339956	Seal
23	3406022	Bracket, Bulkhead
24	3401707	Wire, Jumper
25	690997	Ring, Tri 26
	3399506	Shaft, L.H.
27	3399507	Shaft, R.H.
28	3397590	Roller, Support
29	348197	Washer, Support
30	3359452	Nut, 3/8-16
31	3403491	Bulkhead
32	338906	Sensor, Radiant
33	696302	Shield, Exhaust
34	692526	Ring, Bearing
35	W10109200	Screw, 11-16 x 3/4
36	3406130	Seal, Rear Drum
37	695587	Drum Assembly

SECADORA 7MMGD6630TM1

USE WITH TYPE 1 - NATURAL
AND TYPE 4 LIQUEFIED PROPANE AND BUTANE GASES



FOR ORDERING INFORMATION REFER TO PARTS PRICE LIST

SECADORA 7MMGD6630TM1

USE WITH TYPE 1 – NATURAL
AND TYPE 4 LIQUEFIED PROPANE AND BUTANE GASES

Illus. No.	Part No.	DESCRIPTION
1	8318272	Burner Assembly 60 Hz. (Type 1) (White Rodgers)
2	688617	Tube, Burner
3	694298	Bracket, Ignitor
4	686590	Ignitor
5	3393909	Screw & Washer (8-32 x 5/8)
6	343641	Screw, 10-16 x 1/2
7	693986	Base, Burner
8	3387057	Screw, 8-18 x 3/8
9		Orifice, Burner
	234826	Type 1
	229742	Type 4 (Butane)
	234868	Type 4 (Propane)
10	8318277	Valve, 60 Hz. (Includes Pipe & Illus. #7)
11	694421	Screw, 8-32 x 1/2 (2)
12	694538	Bracket, Coil
13	694540	Coil, 60 Hz. (2 Terminal) (Main)
14	694539	Coil, 60 Hz. (Split) (3 Terminal) (Pilot Position)
15	694424	Leak Limiter
16	694423	Screw, Regulator Adjustment
17	694422	Spring, Regulator
20	239822	Plug, Pipe
25	341029	Clamp, Pipe

Following Parts Not Illustrated

694572 Conversion Kit
(Type 1)
to Type (4) L.P.G.

BA-150

FOR ORDERING INFORMATION REFER TO PARTS PRICE LIST

SI USTED NECESITA COMPRAR REFACCIONES

PIDA LA REFACCIÓN POR CÓDIGO DE NÚMERO DE PARTE
O LLAME AL TELÉFONO DE VENTA DE REFACCIONES: