

EXPLOSIONADO DE PARTES

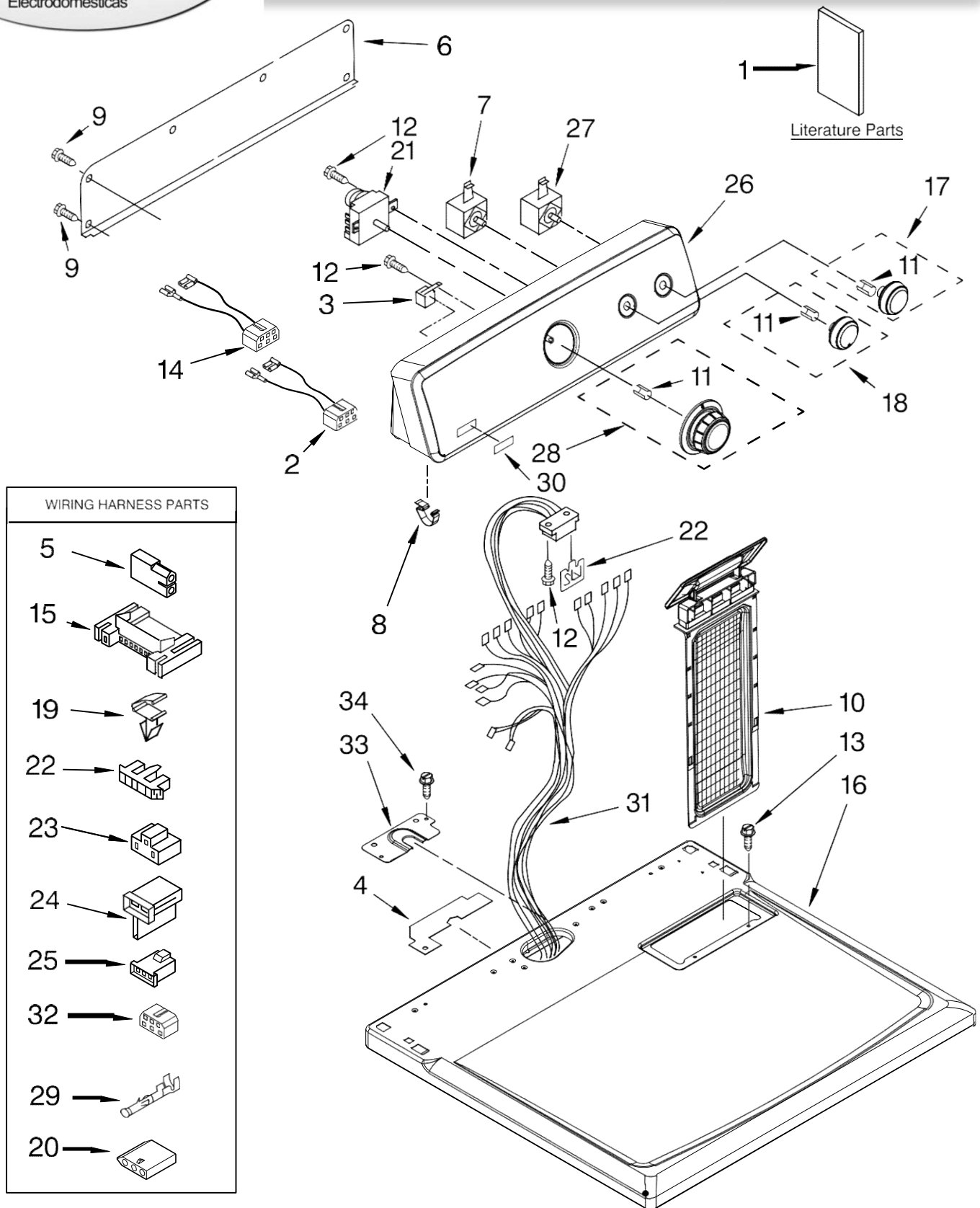


SECADORAS DE IMPORTACION

Modelo

7MMGD6630TQ1

SECADORA 7MMGD6630TQ1



FOR ORDERING INFORMATION REFER TO PARTS PRICE LIST

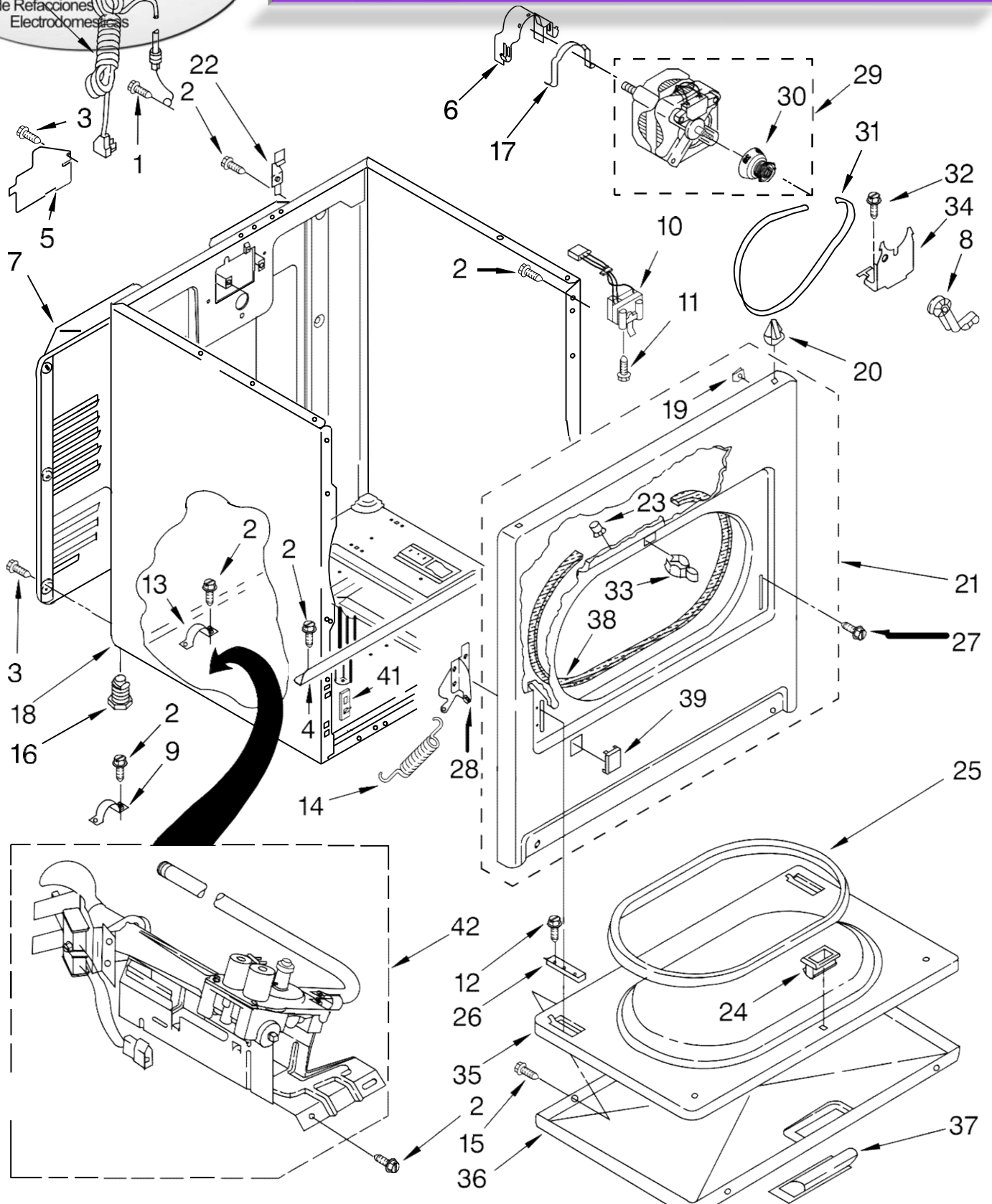
SECADORA 7MMGD6630TQ1

Illus. No.	Part No.	DESCRIPTION
1		Literature Parts
	W10118198	Use & Care Guide
	8576793	Wiring Diagram
	W10118199	Sheet, Cycle Feature
2	W10119078	Wire, Jumper
		Mini-Buzzer
3	694419	Buzzer, Mini
4	W10112603	Seal-Harness
5	717252	Plug, 2-Way Terminal
6	W10112577	Panel, Rear Console
7	3405152	Switch, Wrinkle Gaurd
8	8312709	Clip-Console (2)
9	693995	Screw, Hex Washer Head
10	8565972	Screen, Lint
11	8536939	Clip, Spring
12	8533971	Screw, 8-18 x 5/16

Illus. No.	Part No.	DESCRIPTION
13	688983	Screw, 8-18 x 5/8
14	W10119077	Wire, Jumper Gaurd On/Off
15	3395683	Connector (Motor)
16	W10112597	Top
17	W10110031	Knob, Push-To-Start
18	W10110029	Knob, Control (1)
19	3394427	Clip-Harness
20	3936144	Connector
21	3976584	Timer Assembly (60 Hz.)
22	3397269	Connector-Timer
23	3401144	Connector, (PTS Relay)
24	3403499	Connector, 2-Position (Gas Valve)

Illus. No.	Part No.	DESCRIPTION
25	3403498	Connector, 3-Position (Gas Valve)
26		Console & Control Panel Assembly (Includes, Illus. 8 & 30)
	W10116404	White
	W10116403	White / Metallic
27	3977456	Switch, Push-To-Start
28	W10110030	Timer-Knob Assembly
29	94614	Terminal, Female
30	W10112569	Badge-Assembly
31	W10129558	Harness, Wiring
32	3347243	Connector 6-Circuit
33	W10112578	Bracket-Harness
34	359625	Screw, 8-18 x 3/4

SECADORA 7MMGD6630TQ1

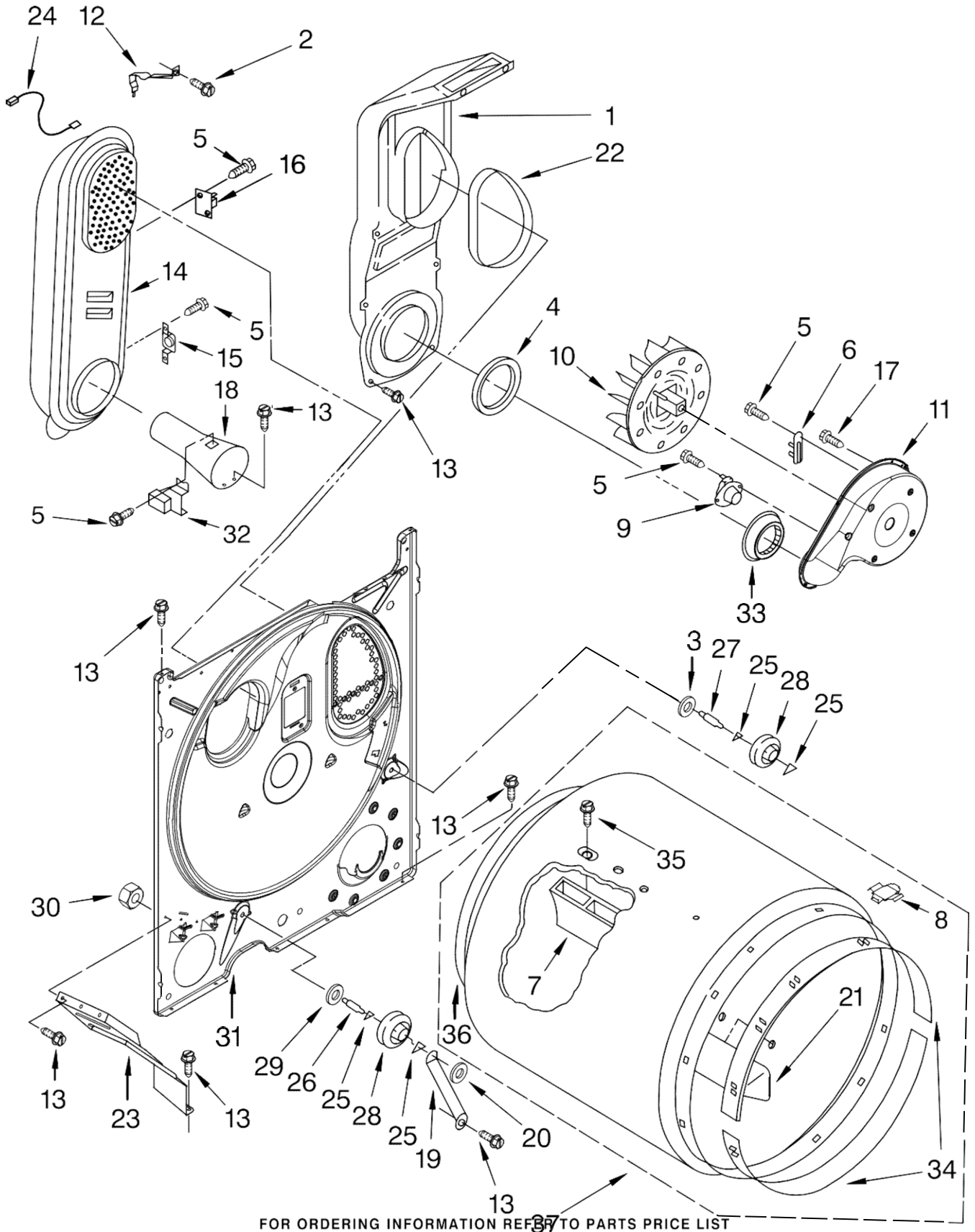


FOR ORDERING INFORMATION REFER TO PARTS PRICE LIST

SECADORA 7MMGD6630TQ1

Illus. No.	Part No.	DESCRIPTION	Illus. No.	Part No.	DESCRIPTION	Illus. No.	Part No.	DESCRIPTION
1	697776	Screw, 10-32 x 5/8 (External Ground)	16	3392100	Foot, Dryer	29	8066206	Motor Assembly
2	343641	Screw, 10-16 x 1/2		279810	Foot-Optional (Extended Length)	30	8066184	Pulley-60 Hz.
3	693995	Screw, Hex Head			(Package of 2)	31	8066065	Belt, Drive
4	8541400	Bracket, Cabinet			(Not Included.)	32	3400500	Bolt, 5/16-18 x 3/4
5	3396795	Cover, Block	17	660658	Clamp, Motor	33	696144	Strike, Panel
6	3404162	Clamp, Motor (W/Shield)	18	8530603	Cabinet (Includes Illus. 4)	34	348780	Base, Motor
7	3396805	Panel, Rear	19	98234	Clip, Ground (2)	35	695737	Door, Rear
8	691366	Idler & Pulley Assembly	20	690363	Lock, Front Top (2)	36	3393549	Door, Front
9	3980175	Clamp-Elbow	21	3395197	Panel Front	37	W10116360	Handle, Door
10	3406109	Door Switch Assembly	22	8066217	Hinge, Top (2)	38	3406129	Seal & Bearing Assembly
11	697773	Screw, 6-20 x 7/8	23	685203	Clip, Felt Pad (2)	39	3394975	Plug, Front Panel
12	694091	Screw, 8-18 x 3/8	24	3389441	Catch, Door Assembly	40	344020	Cord, Power
13	341029	Clamp, Pipe	25	3390731	Seal, Door	41	3394083	Clip, Front Panel
14	W10041960	Spring-Door (2)	26	337189	Hinge-Clip	42	8318272	Burner Assembly, 60 Hz. (See Pages 7 & 8 For Further Burner Breakdown)
15	3357011	Screw, 10-16 x 1/2	27	342043	Screw, 10-32 x 3/8			
			28		Hinge Door			
				8066056	Hinge, R.H.			
				8066057	Hinge, L.H.			

SECADORA 7MMGD6630TQ1



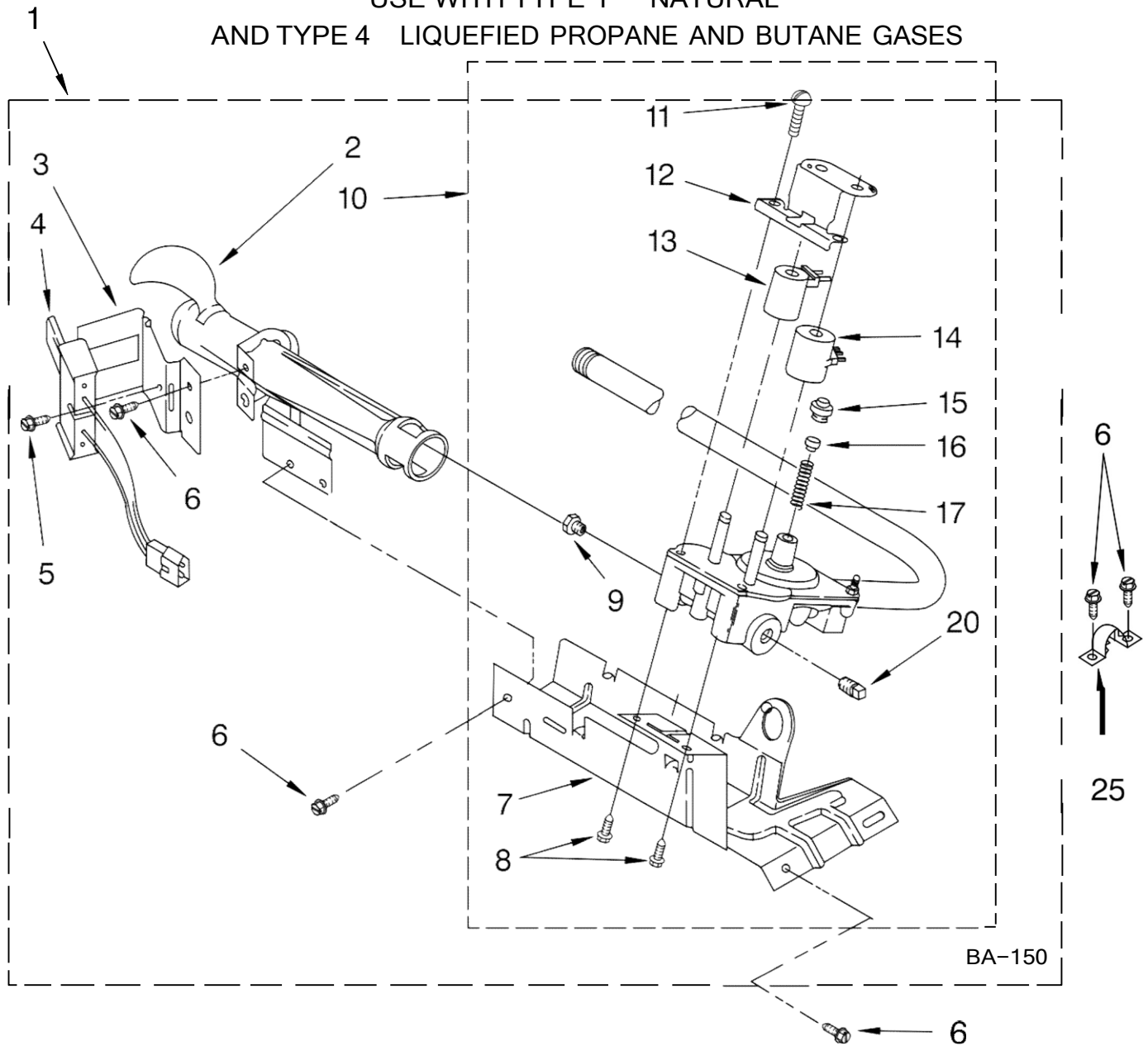
FOR ORDERING INFORMATION REFER TO PARTS PRICE LIST

SECADORA 7MMGD6630TQ1

Illus. No.	Part No.	DESCRIPTION
1	348368	Lint Chute Assembly
2	489463	Screw, 8-18 x 5/8
3	3388703	Washer-Support
4	347139	Seal, Lint Chute
5	90767	Screw, 8-18 x 3/8
6	3392519	Thermal-Fuse (91°C)
7	692490	Baffle, Drum (2)
8	8066086	Drum Hole Plug
9	3387134	Thermostat, Internal-Bias
10	694089	Wheel, Blower
11	8577230	Housing, Blower
12	8066155	Clip, Heater Box
13	343641	Screw, 10-16 x 1/2
14	8530285	Box, Heater
15	3403140	Thermostat, 205 F (96°C)
16	280010	Kit, Thermal Cut-Off (Includes Illus. 15)
17	3390647	Screw, 8-18 x 1/2
18	8066049	Funnel, Burner
19	3976434	Bracket, Support
20	90296	Clip
21	3403636	Baffle, Drum (1)
22	339956	Seal
23	3406022	Bracket, Bulkhead
24	3401707	Wire, Jumper
25	690997	Ring, Tri 26
	3399506	Shaft, L.H.
27	3399507	Shaft, R.H.
28	3397590	Roller, Support
29	348197	Washer, Support
30	3359452	Nut, 3/8-16
31	3403491	Bulkhead
32	338906	Sensor, Radiant
33	696302	Shield, Exhaust
34	692526	Ring, Bearing
35	W10109200	Screw, 11-16 x 3/4
36	3406130	Seal, Rear Drum
37	695587	Drum Assembly

SECADORA 7MMGD6630TQ1

USE WITH TYPE 1 - NATURAL
AND TYPE 4 LIQUEFIED PROPANE AND BUTANE GASES



FOR ORDERING INFORMATION REFER TO PARTS PRICE LIST

SECADORA 7MMGD6630TQ1

USE WITH TYPE 1 – NATURAL
AND TYPE 4 LIQUEFIED PROPANE AND BUTANE GASES

Illus. No.	Part No.	DESCRIPTION
1	8318272	Burner Assembly 60 Hz. (Type 1) (White Rodgers)
2	688617	Tube, Burner
3	694298	Bracket, Ignitor
4	686590	Ignitor
5	3393909	Screw & Washer (8-32 x 5/8)
6	343641	Screw, 10-16 x 1/2
7	693986	Base, Burner
8	3387057	Screw, 8-18 x 3/8
9		Orifice, Burner
	234826	Type 1
	229742	Type 4 (Butane)
	234868	Type 4 (Propane)
10	8318277	Valve, 60 Hz. (Includes Pipe & Illus. #7)
11	694421	Screw, 8-32 x 1/2 (2)
12	694538	Bracket, Coil
13	694540	Coil, 60 Hz. (2 Terminal) (Main)
14	694539	Coil, 60 Hz. (Split) (3 Terminal) (Pilot Position)
15	694424	Leak Limiter
16	694423	Screw, Regulator Adjustment
17	694422	Spring, Regulator
20	239822	Plug, Pipe
25	341029	Clamp, Pipe

Following Parts Not Illustrated

694572 Conversion Kit
(Type 1)
to Type (4) L.P.G.

BA-150

SI USTED NECESITA COMPRAR REFACCIONES

PIDA LA REFACCIÓN POR CÓDIGO DE NÚMERO DE PARTE
O LLAME AL TELÉFONO DE VENTA DE REFACCIONES: