



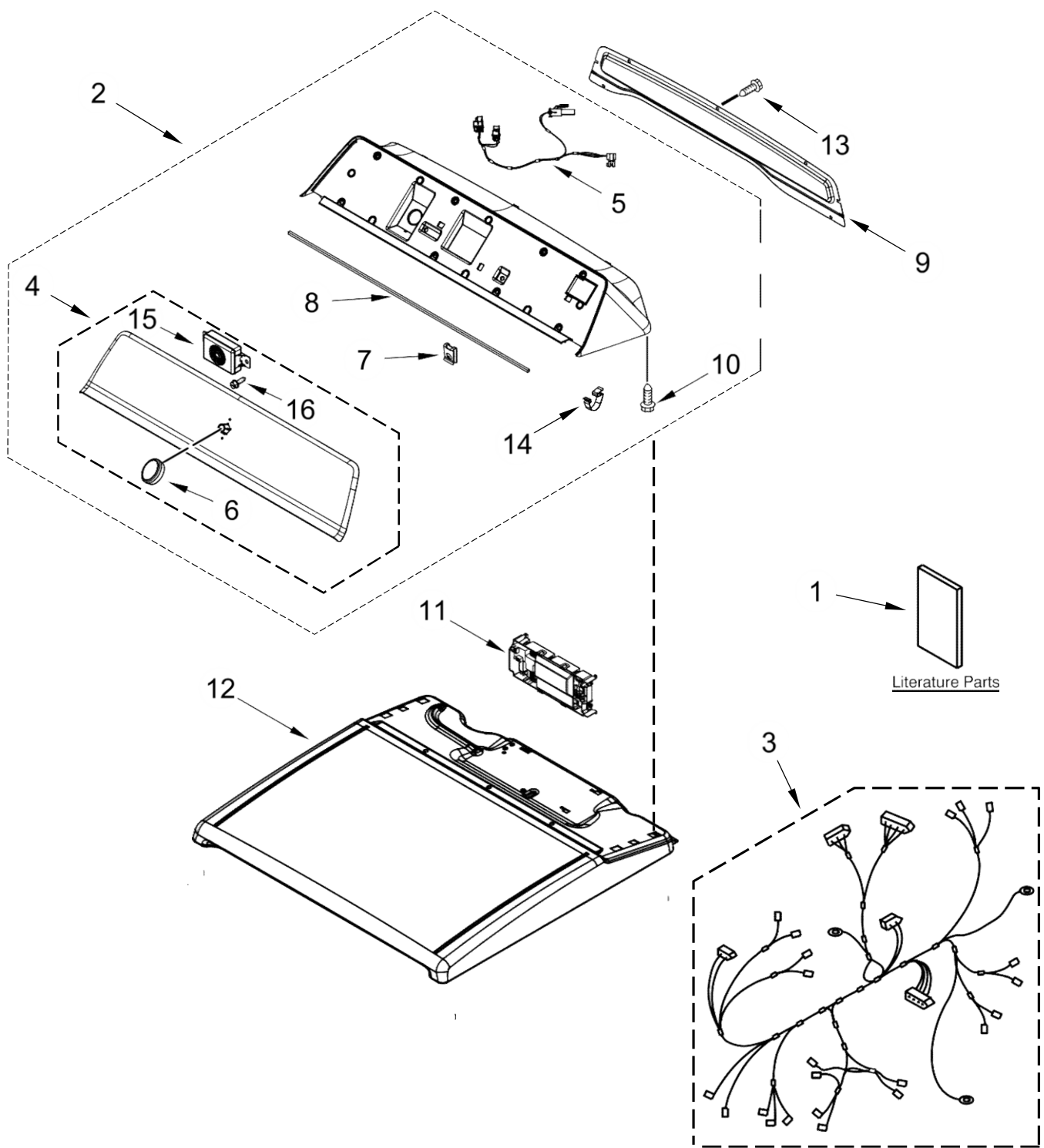
GAS DRYER

MODELS:

7MMGDB835EW2 (White)



SECADORA 7MMGDB835EW2



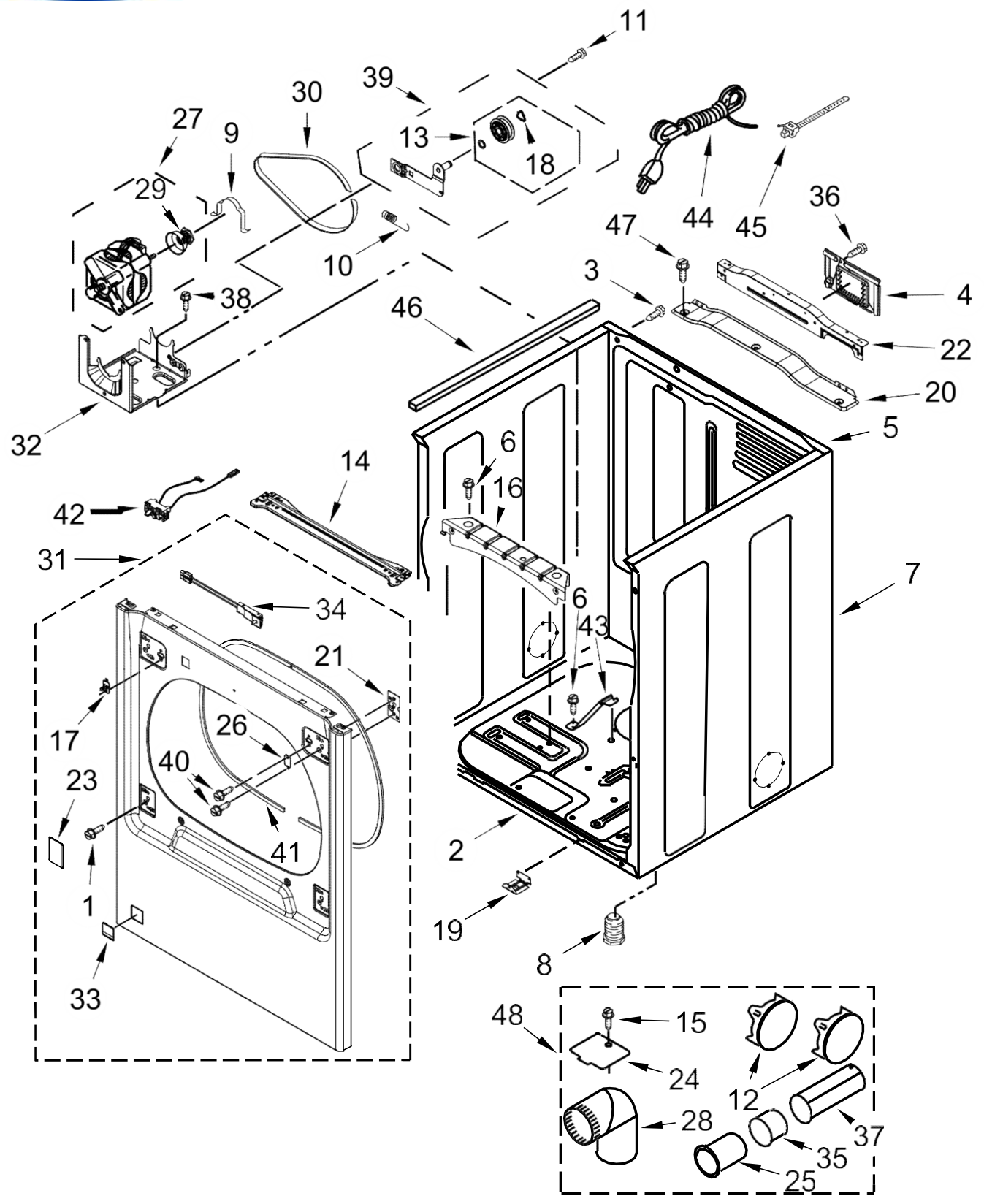


SECADORA 7MMGDB835EW2

| <u>Illus. No.</u> | <u>Part No.</u> | <u>Description</u> | <u>Illus. No.</u> | <u>Part No.</u> | <u>Description</u> | <u>Illus. No.</u> | <u>Part No.</u> | <u>Description</u> |
|-------------------|-----------------|-----------------------------|-------------------|-----------------|-------------------------|-------------------|-----------------|---------------------|
| 1 | | Literature Parts | 4 | W10791328 | Fascia | 11 | W10771992 | Control, Electronic |
| | W10807523 | Installation Instructions | 5 | W10593673 | Harness, User Interface | 12 | | Top |
| | W10810364 | Use and Care Guide | 6 | | Assembly, Control Knob | | W10508981 | White |
| | W10777449 | Tech Sheet | | W10727011 | Chrome | 13 | W10704731 | Screw |
| | W10810385 | Quickstart Guide | 7 | W10298336 | Nut, "U" | 14 | 8312709 | Clip, Console |
| 2 | | Console Assembly (Complete) | 8 | W10726632 | Seal, Console | 15 | W10568405 | Assembly, Speaker |
| | W10806898 | White | 9 | W10622402 | Panel, Rear Console | 16 | 9740849 | Screw |
| 3 | W10777444 | Wiring Harness | 10 | 9740848 | Screw | | | |



SECADORA 7MMGDB835EW2





SECADORA 7MMGDB835EW2

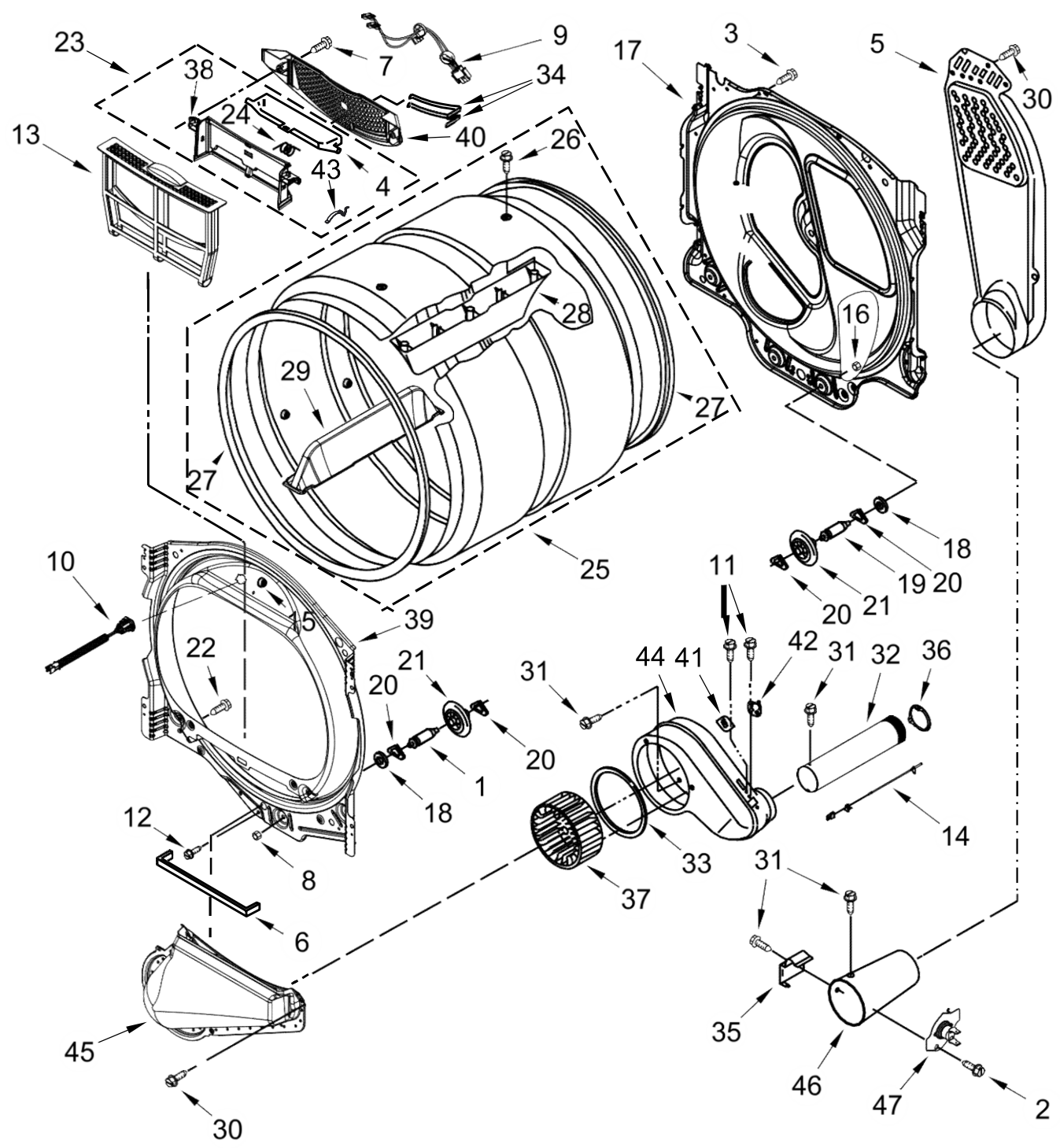
| <u>Illus. No.</u> | <u>Part No.</u> | <u>Description</u> |
|-------------------|-----------------|--|
| 1 | 6-920119 | Screw |
| 2 | W10613683 | Base, Cabinet |
| 3 | W10636208 | Screw |
| 4 | 8317339 | Cover, Terminal Block |
| 5 | W10824895 | Panel, Rear |
| 6 | 693995 | Screw |
| 7 | | Panel, Side |
| | W10645768 | White (With Cutout) |
| | W10633648 | White (Without Cutout) |
| 8 | 3392100 | Foot, Dryer |
| | 279810 | Foot, Optional (Extended Length Package Of 2) (Not Included) |
| 9 | W10121316 | Clamp, Motor Mount |
| 10 | W10446781 | Spring, Idler |
| 11 | 3389420 | Screw |
| 12 | | Plug, Multivent |
| | 49252 | White |
| 13 | W10468057 | Assembly, Pulley |
| 14 | W10722502 | Brace, Cab and Seal Assembly |
| 15 | W10718190 | Screw |
| 16 | W10632348 | Spacer Bracket, Upper |

| <u>Illus. No.</u> | <u>Part No.</u> | <u>Description</u> |
|-------------------|-----------------|------------------------------|
| 17 | W10778071 | Strike |
| 18 | W10512946 | Washer, Tri Ring |
| 19 | W10632347 | Spacer Bracket, Lower |
| 20 | | Bulkhead Bracket, Rear Panel |
| | W10672088 | White |
| 21 | W10596959 | Bracket, Hinge |
| 22 | W10622391 | Bracket, Rear Panel Upper |
| 23 | | Plug, Hinge |
| | W10590953 | White |
| 24 | 3394331 | Plate, Cover |
| 25 | 8563747 | Pipe, Exhaust (Medium) |
| 26 | W10111888 | Plug, Strike |
| 27 | W10806761 | Motor Assembly |
| 28 | 49026 | Elbow |
| 29 | W10669447 | Pulley, Motor |
| 30 | W10610886 | Belt, Drive |
| 31 | | Panel, Front |
| | W10861063 | White |
| 32 | W10578053 | Bracket, Motor Mounting |

| <u>Illus. No.</u> | <u>Part No.</u> | <u>Description</u> |
|-------------------|-----------------|---|
| 33 | | Plug, Front Panel |
| | 8564457 | White |
| 34 | W10459026 | Switch, Door |
| 35 | 8563750 | Pipe, Exhaust (Short) |
| 36 | W10567155 | Screw |
| 37 | 8563749 | Pipe, Exhaust (Long) |
| 38 | 343641 | Screw |
| 39 | W10547287 | Assembly, Idler |
| 40 | 3400805 | Screw (Zinc) |
| 41 | 3387242 | Seal, Front Panel |
| 42 | W10774832 | Switch, Broken Belt |
| 43 | 8529757 | Bracket, Burner |
| 44 | W10706056 | Cord, Power |
| 45 | W10155270 | Cable Tie |
| 46 | W10316616 | Seal, Foam |
| 47 | 8281212 | Screw |
| 48 | | Optional Parts Not Included Dryer Exhaust Kit (For Side & Bottom Venting) |
| | W10323246 | Kit, 4-Way Vent |



SECADORA 7MMGDB835EW2



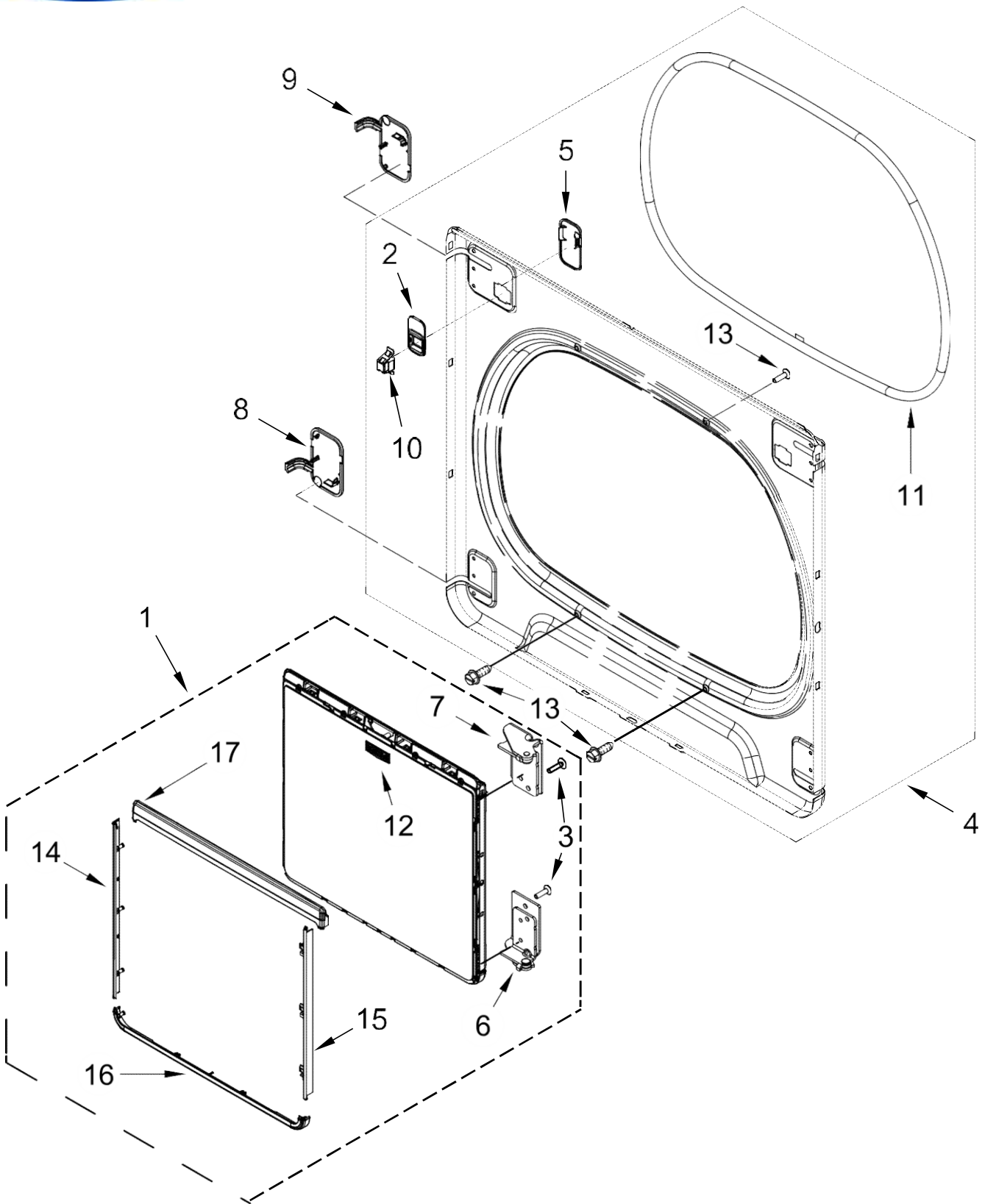


SECADORA 7MMGDB835EW2

| <u>Illus.</u> <u>No.</u> | <u>Part No.</u> | <u>Description</u> | <u>Illus.</u> <u>No.</u> | <u>Part No.</u> | <u>Description</u> | <u>Illus.</u> <u>No.</u> | <u>Part No.</u> | <u>Description</u> |
|-----------------------------|-----------------|--|-----------------------------|-----------------|---------------------------------------|-----------------------------|-----------------|--------------------------|
| 1 | W10359271 | Shaft, Drum Roller - Right Hand Thread | 16 | W10001120 | Nut, Hex (Left Hand Thread) | 32 | W10608817 | Pipe, Exhaust |
| 2 | 489463 | Screw | 17 | W10638203 | Bulkhead, Rear | 33 | 697770 | Seal, Plate Cover |
| 3 | 3390647 | Screw | 18 | 3387459 | Washer | 34 | W10608814 | Sensor, Electrode |
| 4 | W10608808 | Door, Lint Screen | 19 | W10359272 | Shaft, Drum Roller - Left Hand Thread | 35 | 338906 | Sensor, Radiant |
| 5 | W10834203 | Duct, Inlet Assembly | 20 | W10512946 | Washer, Tri Ring | 36 | W10344699 | Collar, Duct |
| 6 | W10701355 | Seal, Housing Outlet to Lint Duct | 21 | W10314171 | Roller, Support | 37 | 697772 | Wheel, Blower |
| 7 | 3387230 | Screw | 22 | W10718190 | Screw | 38 | W10608806 | Housing, Outlet |
| 8 | 3934666 | Nut, Hex | 23 | W10608812 | Assembly, Outlet Housing | 39 | W10861007 | Bulkhead, Front |
| 9 | W10657328 | Sensor Jumper, Moisture | 24 | W10219015 | Spring, Lint Screen Door | 40 | W10608813 | Grille, Outlet |
| 10 | W10629046 | Assembly, Drum Light | 25 | W10626460 | Assembly, Drum | 41 | 3391912 | Thermostat, Hi Limit |
| 11 | 693995 | Screw | 26 | W10219342 | Screw | 42 | 8577274 | Thermistor |
| 12 | 3357011 | Screw | 27 | W10664120 | Seal, Drum | 43 | W10608815 | Spring Clip, Lint Screen |
| 13 | | Screen, Lint | 28 | W10767074 | Baffle, Drum High | 44 | W10667717 | Housing, Blower |
| | W10608811 | White | 29 | W10767090 | Baffle, Drum Low | 45 | W10868982 | Lint Duct Assembly |
| 14 | W10651569 | Thermistor, Gas Inlet | 30 | W10773242 | Screw | 46 | 8573824 | Funnel, Burner |
| 15 | 359702 | Cap | 31 | 90767 | Screw | 47 | 8573713 | Cut-Off, Thermal |



SECADORA 7MMGDB835EW2





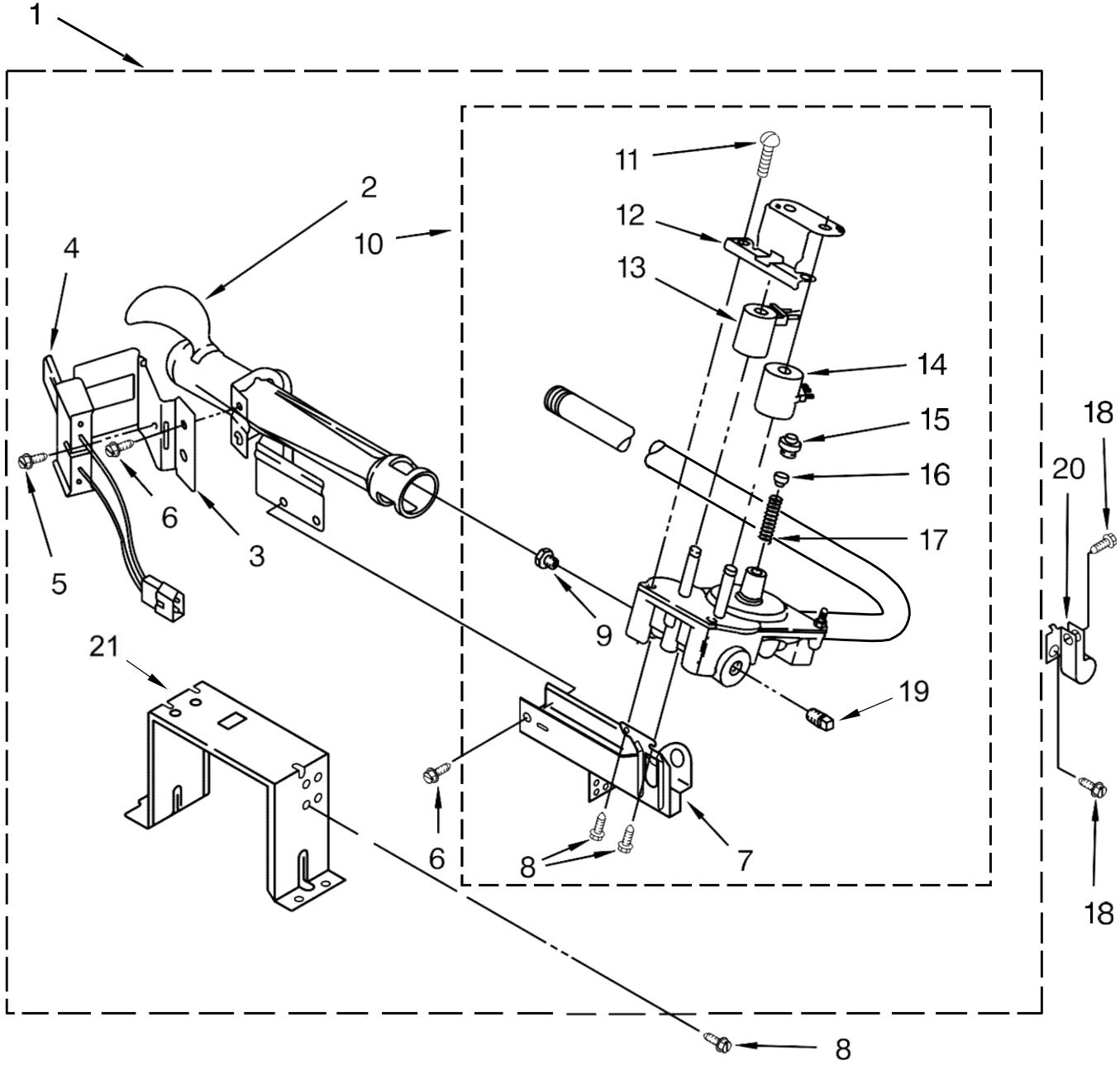
SECADORA 7MMGDB835EW2

| <u>Illus. No.</u> | <u>Part No.</u> | <u>Description</u> | <u>Illus. No.</u> | <u>Part No.</u> | <u>Description</u> | <u>Illus. No.</u> | <u>Part No.</u> | <u>Description</u> |
|-------------------|-----------------|----------------------|-------------------|-----------------|----------------------|-------------------|-----------------|--------------------|
| 1 | | Assembly, Outer Door | 6 | W10783755 | Door, Hinge (Lower) | 13 | 342055 | Screw |
| | W10631405 | White | 7 | W10783754 | Door, Hinge (Upper) | 14 | W10631407 | Trim, Hinge Side |
| 2 | | Bezel, Door Catch | 8 | | Hinge Cover, Bottom | 15 | W10631408 | Trim, Side |
| | W10631401 | White | | W10631396 | White | 16 | W10631409 | Trim, Bottom |
| 3 | 9742177 | Screw | 9 | | Hinge Cover, Top | 17 | W10608739 | Trim, Top |
| 4 | | Assembly, Inner Door | | W10631395 | White | | | |
| | W10614997 | White | 10 | W10610880 | Assembly, Door Catch | | | |
| 5 | | Cover, Door Catch | 11 | W10763835 | Seal, Door | | | |
| | W10631410 | White | 12 | W10612925 | Badge | | | |



SECADORA 7MMGDB835EW2

USE WITH TYPE 1 - NATURAL,
AND TYPE 4 - LIQUEFIED PROPANE AND BUTANE GASES





SECADORA 7MMGDB835EW2

| <u>Illus.</u> <u>No.</u> | <u>Part No.</u> | <u>Description</u> | <u>Illus.</u> <u>No.</u> | <u>Part No.</u> | <u>Description</u> | <u>Illus.</u> <u>No.</u> | <u>Part No.</u> | <u>Description</u> |
|-----------------------------|-----------------|------------------------------|-----------------------------|-----------------|---|-----------------------------|-----------------|--|
| 1 | W10608838 | Burner Assembly | 11 | 694421 | Screw, Coil | 20 | 3978770 | Bracket, Gas Pipe |
| 2 | 688617 | Tube, Burner | 12 | 694538 | Bracket, Coil | 21 | 3389889 | Bracket, Support |
| 3 | 694298 | Bracket, Ignitor | 13 | 694540 | Coil, 60 Hz. (2 Terminal) (Main) | 22 | W10641312 | Pipe, Gas Supply Following Parts Not Illustrated |
| 4 | 686590 | Ignitor | | | | | | |
| 5 | W10366705 | Screw | 14 | 694539 | Coil, 60 Hz (Split) (3 Terminal) (Pilot Position) | | 8576846 | Conversion Kit (Type 1 to Type 4 LPG) |
| 6 | 343641 | Screw | | | | | | |
| 7 | 3389871 | Base, Burner | 15 | 694424 | Leak, Limiter | | | |
| 8 | 3387057 | Screw | 16 | 694423 | Screw, Regulator Adjustment | | | |
| 9 | | Orifice, Burner | | | | | | |
| | 15418 | Type 1 (Natural) | 17 | 694422 | Spring, Regulator | | | |
| | 15422 | Type 4 (Butane) | | | | | | |
| | 234867 | Type 4 (Propane) | 18 | 3390647 | Screw | | | |
| 10 | W10118312 | Valve, Gas 60 Hz. (Complete) | 19 | 239822 | Plug, Pipe | | | |

OPTIONAL PARTS (NOT INCLUDED)

PAINT, TOUCH-UP (1/2OZ.)

| <u>Illus.</u> <u>No.</u> | <u>Part No.</u> | <u>Description</u> |
|-----------------------------|-----------------|--------------------|
| | 72017 | White |
| | W10446202 | Chrome Shadow |

PAINT, PRESSURIZED SPRAY (12 OZ.)

| <u>Illus.</u> <u>No.</u> | <u>Part No.</u> | <u>Description</u> |
|-----------------------------|-----------------|--------------------|
| | 350930 | White |
| | 350938 | Gray Primer |

PAINT, BULK (1 QT.)

| <u>Illus.</u> <u>No.</u> | <u>Part No.</u> | <u>Description</u> |
|-----------------------------|-----------------|--------------------|
| | 799344 | White (Uncut) |

ACCESSORY PARTS|THE FOLLOWING POWER CORD CAN BE ORDERED. IMPORTANT: CHECK LOCAL WIRING CODE REQUIREMENTS TO SEE IF ONE OF THESE MEETS YOUR NEEDS.

| <u>Illus.</u> <u>No.</u> | <u>Part No.</u> | <u>Description</u> |
|-----------------------------|-----------------|--------------------------------|
| | PT220L | 4', 30 Amp, 3 Wire, Dryer Cord |
| | PT400L | 4', 30 Amp, 4 Wire, Dryer Cord |
| | PT600L | 6', 30 Amp, 4 Wire, Dryer Cord |

ACCESSORY PARTS

| <u>Illus.</u> <u>No.</u> | <u>Part No.</u> | <u>Description</u> |
|-----------------------------|-----------------|-------------------------|
| | W10636192 | Dry Rack |
| | 346764 | Kit, Hold Down |
| | 80047 | Kit, Dryer Repair |
| | 8522199 | Kit, Dryer Vent Testing |
| | W10439655 | Hose, Inlet (2') |
| | 3976300 | Washer, Inlet Hose |
| | W10336486 | Connector, Hose -"Y" |
| | W10242307 | Washer, Hose |