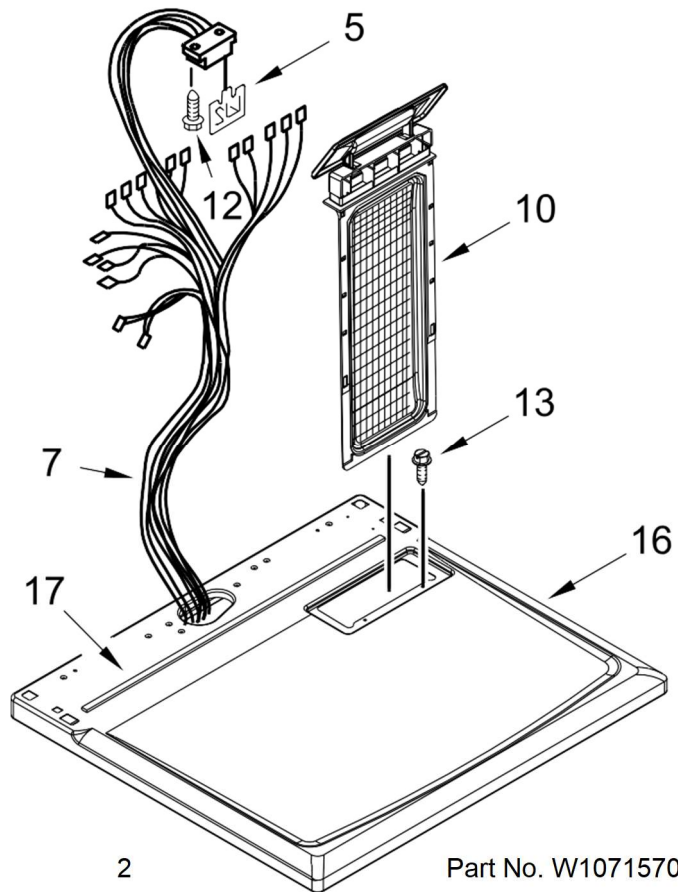
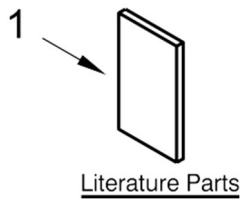
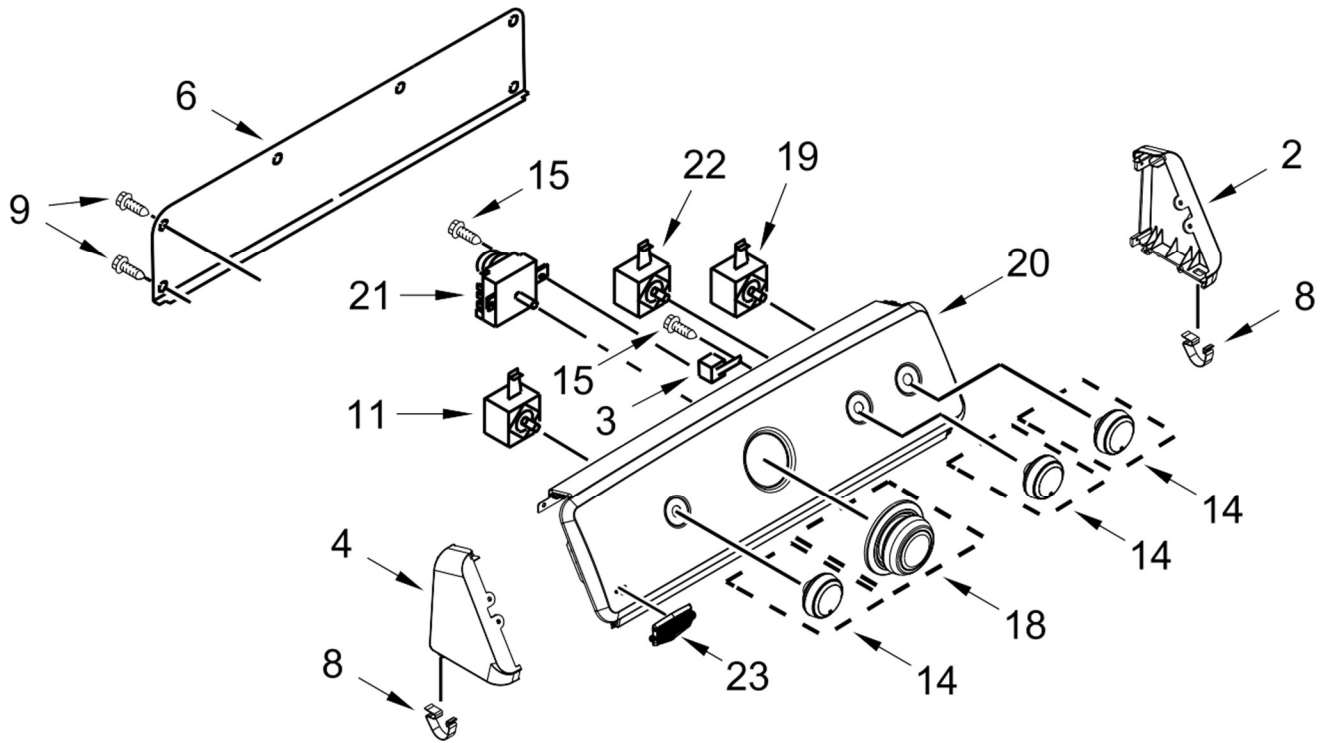


Secadora Maytag 7MMGDC300DW1





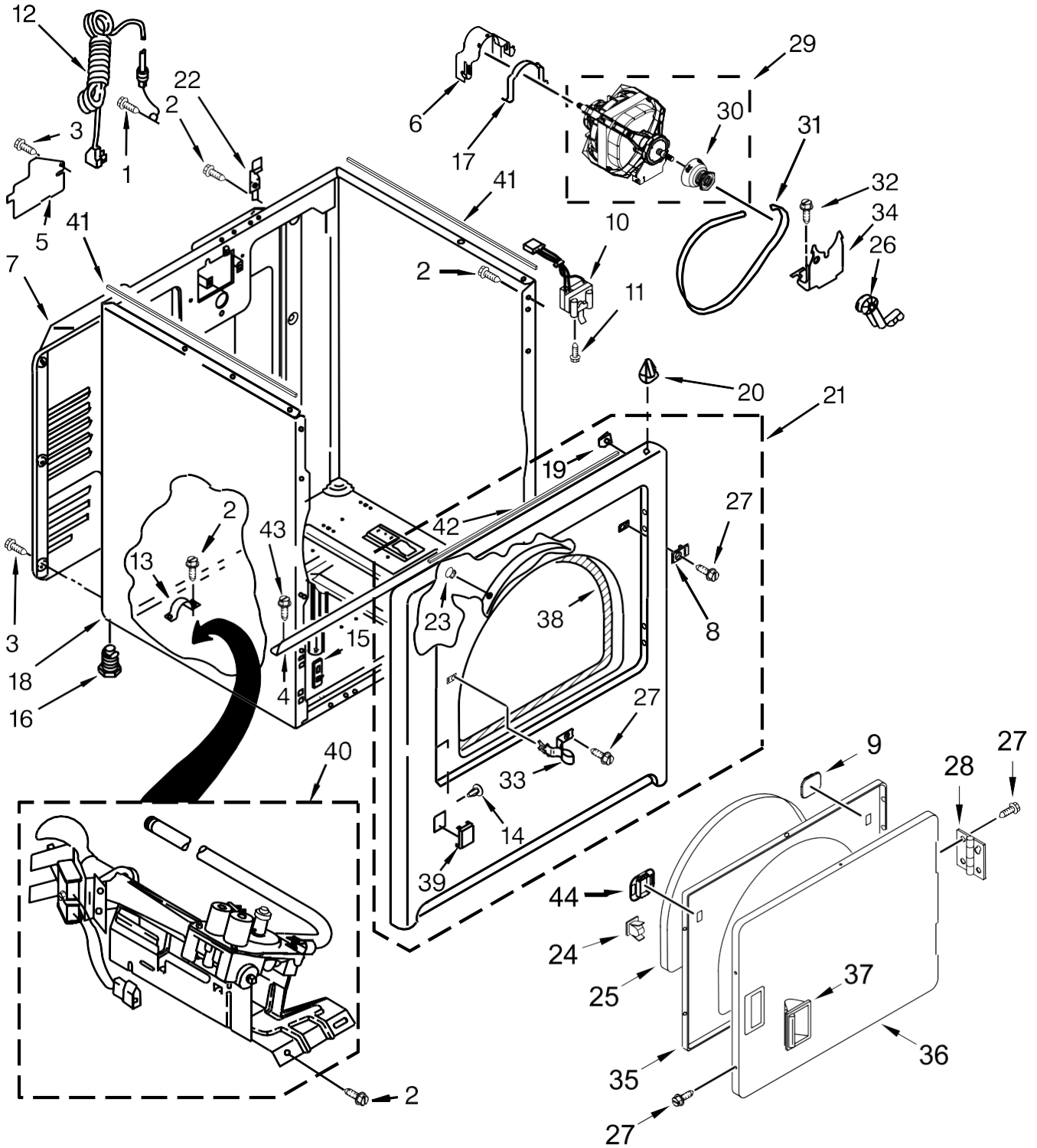
Secadora Maytag 7MMGDC300DW1

<u>Illus. No.</u>	<u>Part No.</u>	<u>Description</u>
1		Literature Parts
	W10652554	Use and Care Guide
	W10658640	Installation Instructions
	W10663990	Diagram, Wiring
2		End Cap (Right)
	W10193821	White
3	694419	Buzzer, Mini
4		End Cap (Left)
	W10193824	White
5	W10476828	Control, Electronic
6	W10103406	Panel, Rear (Console)
7	W10640710	Harness, Wiring

<u>Illus. No.</u>	<u>Part No.</u>	<u>Description</u>
8	8312709	Clip, Console
9	693995	Screw
10		Screen, Lint
	W10717210	White
11	3405156	Switch, Wrinkle Guard
12	8533971	Screw
13	688983	Screw
14		Assembly, Control Knob
	W10562155	Grey
15	3348629	Screw
16		Top
	W10225059	White
17	W10316616	Seal, Foam

<u>Illus. No.</u>	<u>Part No.</u>	<u>Description</u>
18		Assembly, Timer Knob
	W10558463	Grey
19	W10117655	Switch, Push To Start
20		Console
	W10643298	White
21	W10185992	Timer Assembly (60 Hz.)
22	8530169	Switch, Rotary
		Temperature
23	W10199708	Badge

Secadora Maytag 7MMGDC300DW1

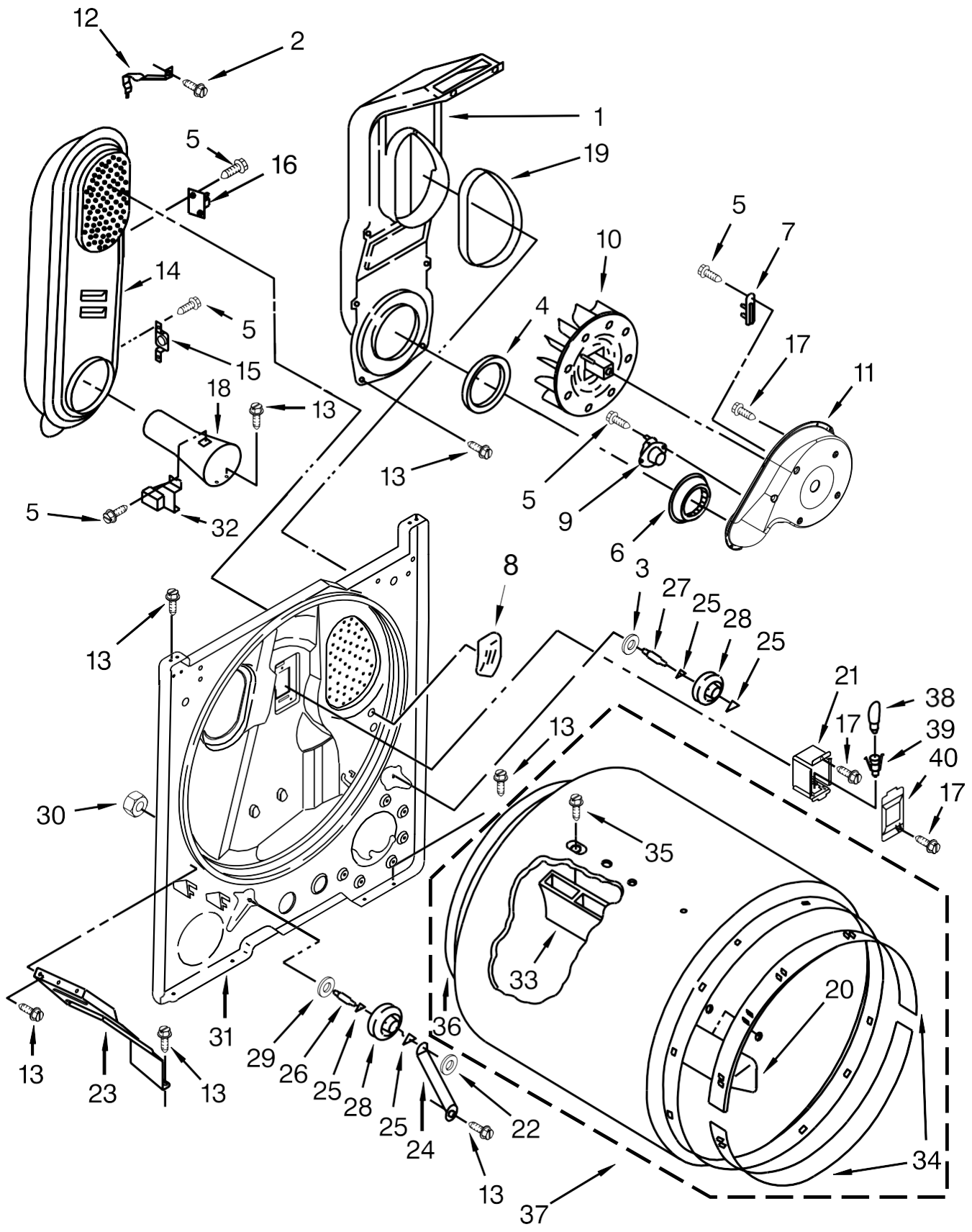




Secadora Maytag 7MMGDC300DW1

<u>Illus.</u> <u>No.</u>	<u>Part No.</u> <u>Description</u>	<u>Illus.</u> <u>No.</u>	<u>Part No.</u> <u>Description</u>	<u>Illus.</u> <u>No.</u>	<u>Part No.</u> <u>Description</u>
1	3390631 Screw	18	W10224934 Cabinet (Includes Foam Seals)	34	348780 Base, Motor
2	343641 Screw	19	98234 Clip, Ground	35	W10463967 Door, Inner
3	693995 Screw	20	8066092 Lock, Front Top	36	Door, Front
4	W10236073 Bracket, Cabinet	21	Panel, Front		3402335 White
5	3396795 Cover, Terminal Block		W10224855 White	37	Handle, Door
6	W10121316 Clamp, Motor Mount	22	8066217 Hinge, Top		W10549553 White
7	W10571724 Panel, Rear	23	685203 Clip, Felt Pad	38	W10663510 Assembly, Seal and Bearing
8	W10567345 Plug, Strike	24	W10610880 Assembly, Door Catch	39	Plug, Front Panel
9	W10529198 Cover, Door Catch	25	W10730752 Seal, Door		8564457 White
10	W10569603 Switch, Door	26	691366 Idler Assembly	40	8318272 Burner Assembly (60 Hz) (Type 1) (White Rodgers)
11	697773 Screw	27	342055 Screw	41	W10316529 Seal, Foam
12	344020 Cord, Power	28	W10362431 Assembly, Hinge and Pin	42	W10316619 Seal, Spill Guard
13	341029 Clamp, Pipe	29	W10396032 Assembly, Motor	43	3390647 Screw
14	3404413 Plug, Hole	30	8066184 Pulley, Motor	44	W10529197 Bezel, Door Catch
15	3394083 Clip, Front Panel	31	W10198086 Belt, Drive		
16	W10561321 Foot, Dryer	32	3400500 Bolt		
17	3404162 Clamp, Motor (With Shield)	33	3403431 Strike, Door		

Secadora Maytag 7MMGDC300DW1





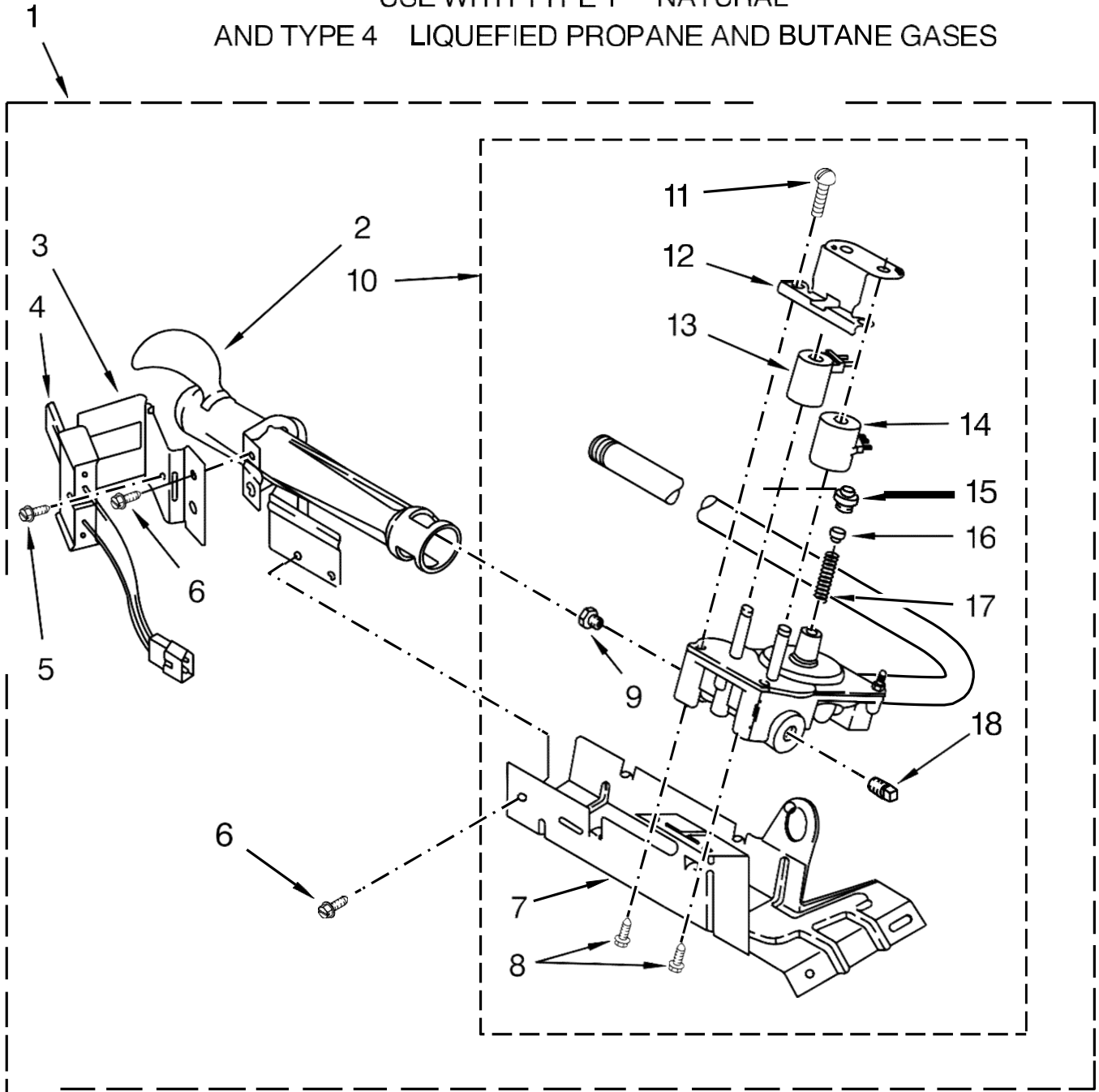
Secadora Maytag 7MMGDC300DW1

<u>Illus. No.</u>	<u>Part No.</u>	<u>Description</u>
1	348368	Assembly, Lint Chute
2	489463	Screw
3	3388703	Washer
4	347139	Seal, Lint Chute
5	90767	Screw
6	W10389567	Shield, Exhaust
7	3392519	Fuse, Thermal (91C)
8	3976479	Pad, Sensor
9	8318268	Thermostat
10	694089	Wheel, Blower
11	8577230	Housing, Blower
12	3398161	Clip, Heater Box
13	343641	Screw
14	8530285	Box, Heater (96C)
15	W10423382	Thermostat H.L SPST (180F)
16	3977394	Thermal Cut-Off

<u>Illus. No.</u>	<u>Part No.</u>	<u>Description</u>
17	3390647	Screw
18	8066049	Funnel, Burner Light
19	339956	Seal
20	3403636	Baffle, Drum (Short)
21	3977373	Bracket, Drum Light
22	90296	Nut, Push On
23	3406022	Bracket, Bulkhead Chute
24	3976434	Bracket, Support
25	W10512946	Washer, Tri Ring
26	W10359270	Shaft, Drum Roller - Left Hand Thread
27	W10359269	Shaft, Drum Roller - Right Hand Thread
28	W10314171	Roller, Support
29	348197	Washer
30	W10298789	Nut, Hex
31	3403414	Bulkhead

<u>Illus. No.</u>	<u>Part No.</u>	<u>Description</u>
32	338906	Sensor, Radiant
33	692490	Baffle, Drum (Long)
34	692526	Bearing, Ring
35	W10219342	Screw
36	W10663495	Seal, Rear Drum
37	W10389436	Assembly, Drum (Complete)
38	3406124	Bulb, Light
39	W10214261	Socket, Light
40	3402841	Lens, Drum Light

USE WITH TYPE 1 - NATURAL
 AND TYPE 4 LIQUEFIED PROPANE AND BUTANE GASES





Secadora Maytag 7MMGDC300DW1

<u>Illus.</u> <u>No.</u>	<u>Part No.</u> <u>Description</u>	<u>Illus.</u> <u>No.</u>	<u>Part No.</u> <u>Description</u>	<u>Illus.</u> <u>No.</u>	<u>Part No.</u> <u>Description</u>
1	8318272 Burner Assembly (60 Hz) (Type 1) (White Rodgers)	9	Orifice, Burner	15	694424 Leak, Limiter
2	688617 Tube, Burner		234826 Type 1 (Natural)	16	694423 Screw, Regulator Adjustment
3	694298 Bracket, Ignitor		229742 Type 4 (Butane)	17	694422 Spring, Regulator
4	686590 Ignitor	10	234868 Type 4 (Propane)	18	239822 Plug, Pipe
5	W10366705 Screw	11	8318277 Valve, Gas (60 Hz)		Following Parts Not Illustrated
6	343641 Screw	12	694421 Screw, Coil		694572 Conversion Kit (Type 1 and 2) to Type (4) L.P.G.
7	693986 Base, Burner	13	694538 Bracket, Coil		
8	3387057 Screw	14	694540 Coil, 60 Hz. (2 Terminal) (Main)		
			694539 Coil, 60 Hz (Split) (3 Terminal) (Pilot Position)		

OPTIONAL PARTS (NOT INCLUDED)

ACCESSORY PARTS

<u>Illus.</u> <u>No.</u>	<u>Part No.</u>	<u>Description</u>
	279948	Kit, Dryer Repair
	346764	Kit, Hold Down
	8522199	Kit, Dryer Vent Testing
	3406839	Dry Rack

PAINT, TOUCH-UP (1/2OZ.)

<u>Illus.</u> <u>No.</u>	<u>Part No.</u>	<u>Description</u>
-----------------------------	-----------------	--------------------

72017 White

PAINT, BULK (1 QT.)

<u>Illus.</u> <u>No.</u>	<u>Part No.</u>	<u>Description</u>
-----------------------------	-----------------	--------------------

799344 White

PAINT, PRESSURIZED SPRAY (12 OZ.)

<u>Illus.</u> <u>No.</u>	<u>Part No.</u>	<u>Description</u>
-----------------------------	-----------------	--------------------

350930 White

350938 Gray Primer