



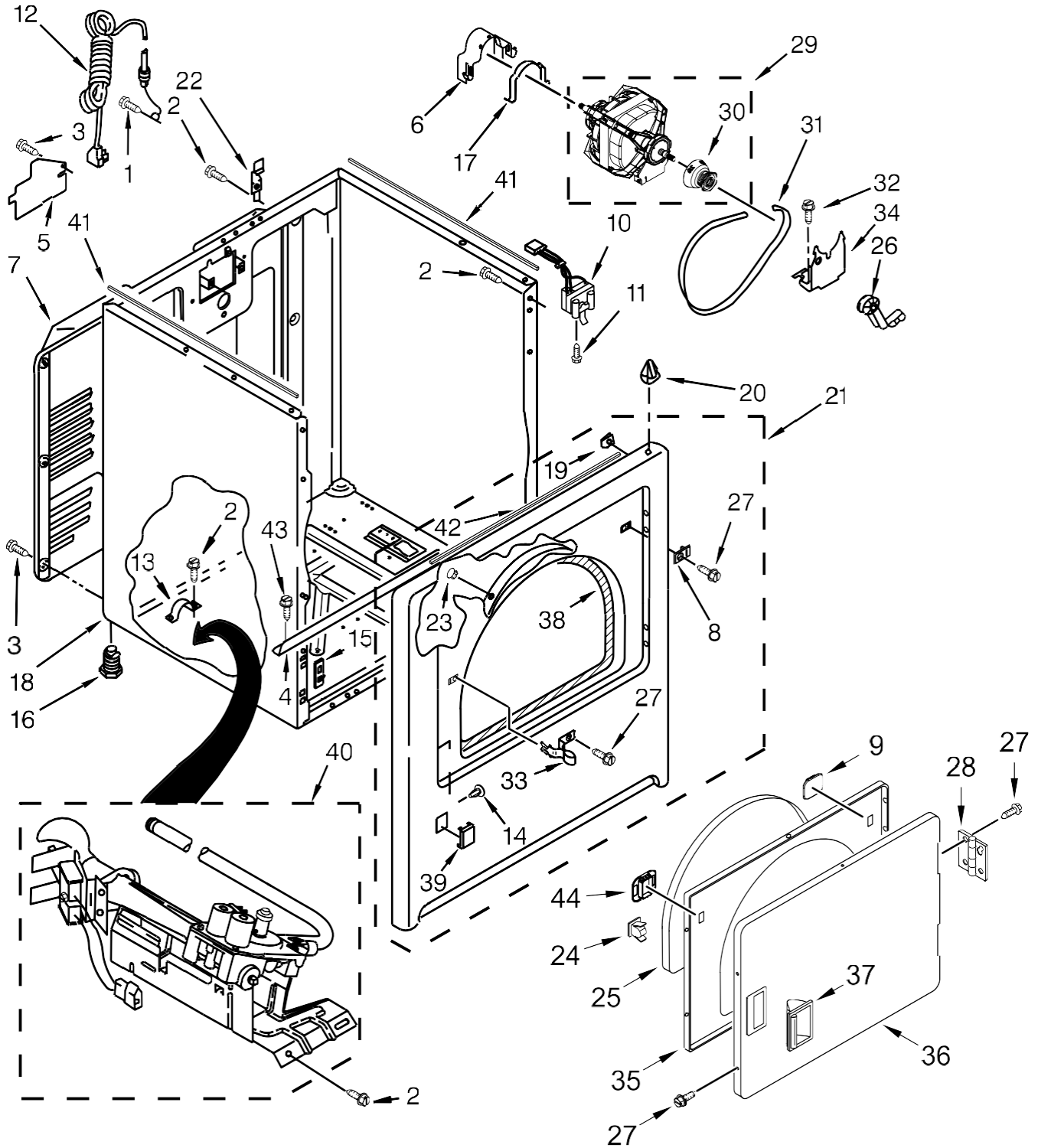
Secadora Maytag 7MMGDC300DW2

<u>Illus.</u> <u>No.</u>	<u>Part No.</u>	<u>Description</u>
1	Literature Parts W10652554	Use and Care Guide
	W10658640	Installation Instructions
	W10663990	Diagram, Wiring
2	End Cap (Right) W10193821	White
3	694419	Buzzer, Mini
4	End Cap (Left) W10193824	White
5	W10476828	Control, Electronic
6	W10103406	Panel, Rear(Console)
7	W10640710	Harness, Wiring

<u>Illus.</u> <u>No.</u>	<u>Part No.</u>	<u>Description</u>
8	8312709	Clip, Console
9	693995	Screw
10		Lint Screen
	W10717210	White
11	3405156	Switch, Wrinkle Guard
12	8533971	Screw
13	688983	Screw
14		Assembly, Control Knob
	W10562155	Grey
15	3348629	Screw
16		Top
	W10225059	White
17	W10316616	Seal, Foam

<u>Illus.</u> <u>No.</u>	<u>Part No.</u>	<u>Description</u>
18		Assembly, Timer Knob
	W10558463	Grey
19	W10117655	Switch, Push ToStart
20		Console
	W10643298	White
21	W10185992	Timer Assembly (60 Hz.)
22	8530169	Switch, Rotary
		Temperature
23	W10199708	Badge

Secadora Maytag 7MMGDC300DW2





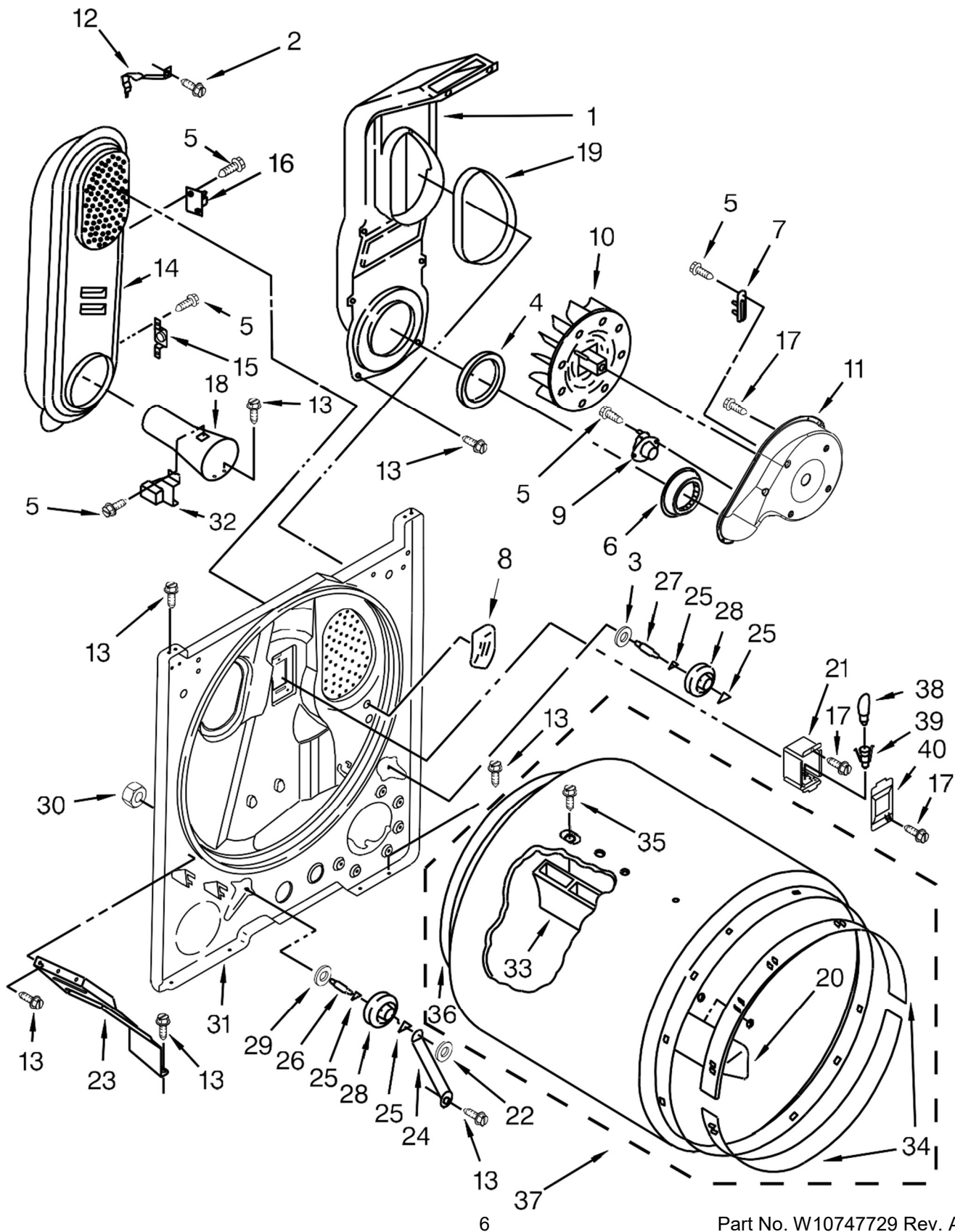
Secadora Maytag 7MMGDC300DW2

<u>Illus. No.</u>	<u>Part No.</u>	<u>Description</u>
1	3390631	Screw
2	343641	Screw
3	8533974	Screw
4	W10236073	Bracket, Cabinet
5	3396795	Cover, Terminal Block
6	W10121316	Clamp, Motor Mount
7	W10571724	Panel, Rear
8	W10567345	Plug, Strike
9	W10529198	Cover, Door Catch
10	W10569603	Switch, Door
11	697773	Screw
12	344020	Cord, Power
13	341029	Clamp, Pipe
14	3404413	Plug, Hole
15	3394083	Clip, Front Panel
16	W10561321	Foot, Dryer

<u>Illus. No.</u>	<u>Part No.</u>	<u>Description</u>
17	3404162	Clamp, Motor (With Shield)
18	W10224934	Cabinet (Includes Foam Seals)
19	98234	Clip, Ground
20	8066092	Lock, Front Top
21		Panel, Front
	W10224855	White
22	8066217	Hinge, Top
23	685203	Clip, Felt Pad
24	W10610880	Assembly, Door Catch
25	W10730752	Seal, Door
26	691366	Idler Assembly
27	342055	Screw
28	W10362431	Assembly, Hinge and Pin
29	W10396032	Assembly, Motor
30	8066184	Pulley, Motor
31	W10198086	Belt, Drive

<u>Illus. No.</u>	<u>Part No.</u>	<u>Description</u>
32	3400500	Bolt
33	3403431	Strike, Door
34	348780	Base, Motor
35	W10463967	Door, Inner
36		Door, Front
	3402335	White
37		Handle, Door W10861225
		White
38	W10663510	Assembly, Seal and Bearing
39		Plug, Front Panel
	8564457	White
40	W10336852	Burner Assembly (60 Hz) (Type 1 and 2)
41	W10316529	Seal, Foam
42	W10316619	Seal, Spill Guard
43	3390647	Screw
44	W10529197	Bezel, Door Catch

Secadora Maytag 7MMGDC300DW2





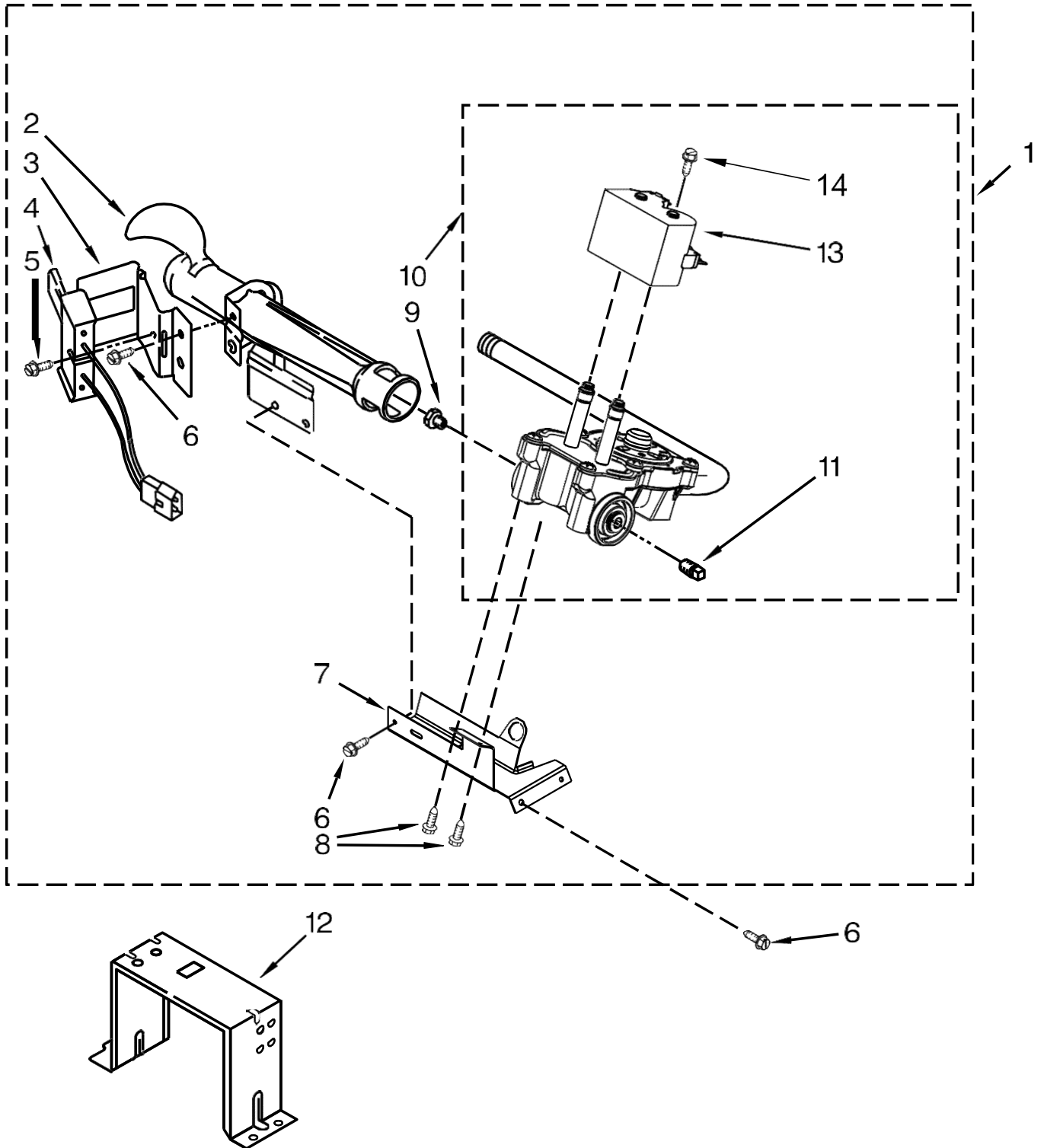
Secadora Maytag 7MMGDC300DW2

<u>Illus. No.</u>	<u>Part No.</u>	<u>Description</u>
1	348368	Assembly, Lint Chute
2	489463	Screw
3	3388703	Washer
4	347139	Seal, Lint Chute
5	90767	Screw
6	W10389567	Shield, Exhaust
7	3392519	Fuse, Thermal (91C)
8	3976479	Pad, Sensor
9	8318268	Thermostat
10	694089	Wheel, Blower
11	8577230	Housing, Blower
12	3398161	Clip, Heater Box
13	3393008	Screw
14	8530285	Box, Heater (96C)
15	W10423382	Thermostat H.L SPST (180F)
16	3977394	Thermal Cut-Off

<u>Illus. No.</u>	<u>Part No.</u>	<u>Description</u>
17	3390647	Screw
18	8066049	Funnel, Burner Light
19	339956	Seal
20	3403636	Baffle, Drum (Short)
21	3977373	Bracket, Drum Light
22	90296	Nut, Push On
23	3406022	Bracket, Bulkhead Chute
24	3976434	Bracket, Support
25	W10512946	Washer, Tri Ring
26	W10359270	Shaft, Drum Roller -Left Hand Thread
27	W10359269	Shaft, Drum Roller - Right Hand Thread
28	W10314171	Roller, Support
29	348197	Washer
30	W10298789	Nut, Hex
31	3403414	Bulkhead

<u>Illus. No.</u>	<u>Part No.</u>	<u>Description</u>
32	338906	Sensor, Radiant
33	692490	Baffle, Drum (Long)
34	692526	Bearing, Ring
35	W10219342	Screw
36	W10663495	Seal, Rear Drum
37	W10389436	Assembly, Drum (Complete)
38	3406124	Bulb, Light
39	W10214261	Socket, Light
40	3402841	Lens, Drum Light

USE WITH TYPE 1 - NATURAL, TYPE 2 - MIXED,
 TYPE 4 - LIQUEFIED PROPANE AND BUTANE GASES





Secadora Maytag 7MMGDC300DW2

<u>Illus.</u> <u>No.</u>	<u>Part No.</u>	<u>Description</u>
1	W10336852	Burner Assembly (60 Hz) (Type 1 and 2)
2	688617	Tube, Burner
3	694298	Bracket, Ignitor
4	686590	Ignitor
5	W10366705	Screw
6	343641	Screw

<u>Illus.</u> <u>No.</u>	<u>Part No.</u>	<u>Description</u>
7	693986	Base, Burner
8	3387057	Screw
9		Orifice, Burner 234826 Type 1 (Natural)
10	W10304604	Valve, Gas (60 Hz)
11	W10295523	Pipe Plug

<u>Illus.</u> <u>No.</u>	<u>Part No.</u>	<u>Description</u>
12	3389889	Bracket, Support
13	W10328463	Coil (60 Hz)
14	326049536	Screw
		Following Parts Not Illustrated
	W10307153	Conversion Kit (Type 1 and 2) to Type (4) L.P.G.

