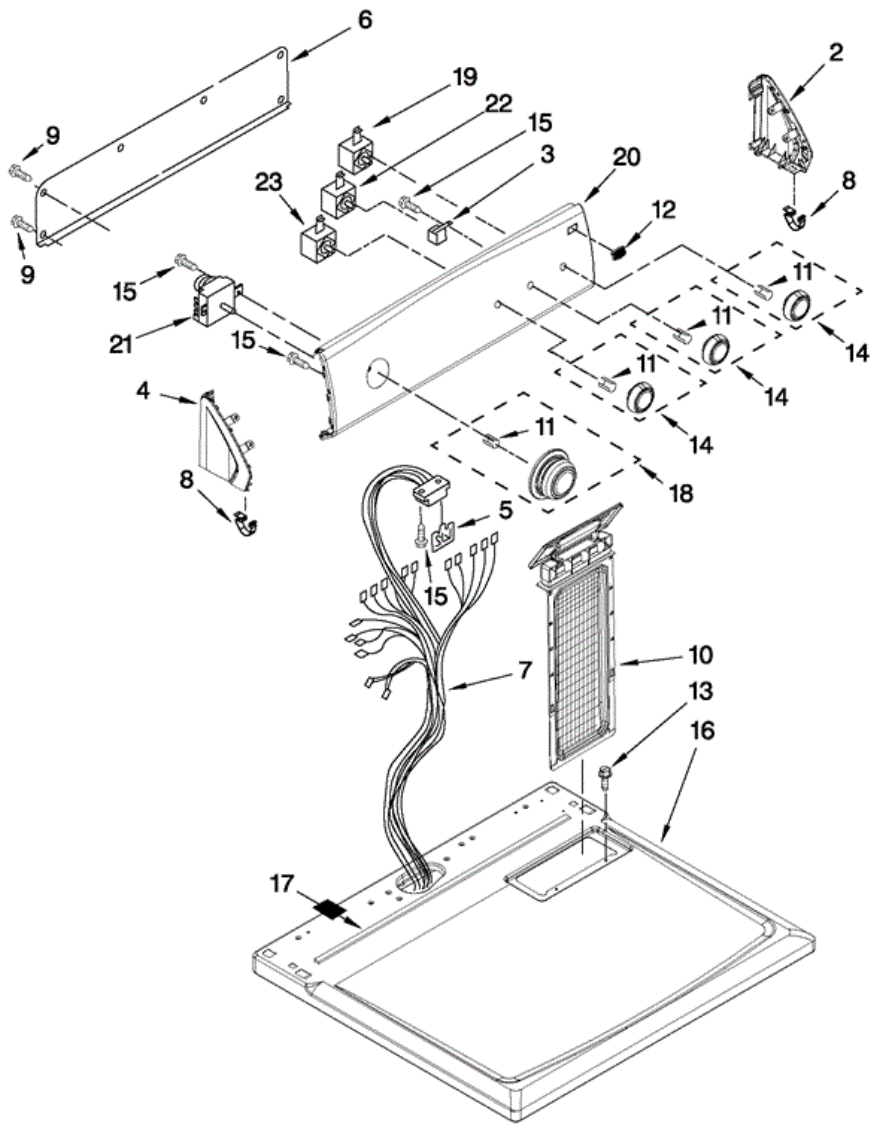


7MMGDC300YW0 TABLERO





7MMGDC300YW0 TABLERO

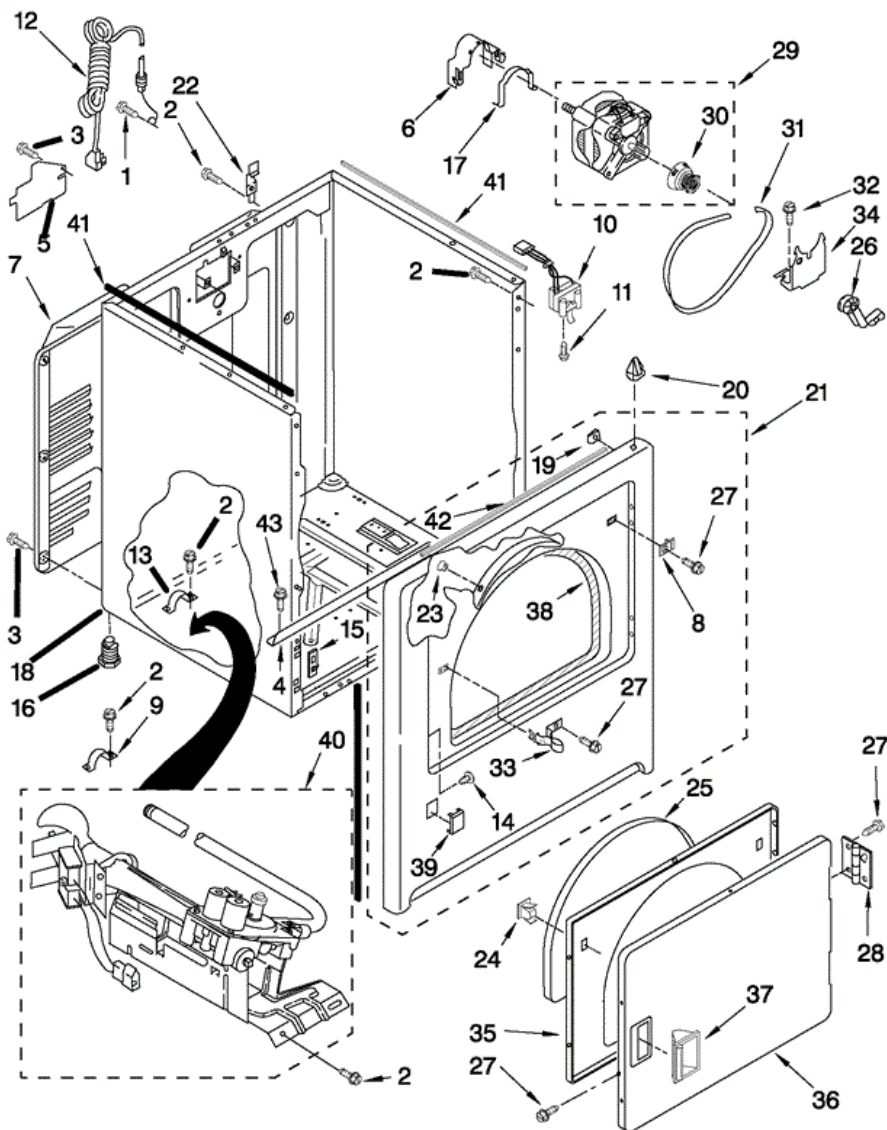
2	W10251355	ENDCAP (R.H.)
3	694419	BUZZER, MINI
4	W10251358	ENDCAP (L.H.)
5	8558178	C-VERSION CONTROL
6	8274261	PANEL, REAR CONSOLE
7	W10328032	HARNESS, WIRING
8	8312709	CLIP-CONSOLE (2)
9	693995	SCREW, HEX WASHER HEAD
10	8565972	SCREEN, LINT
11	8536939	CLIP, SPRING
12	W10199708	BADGE, MAYTAG
13	688983	SCREW, 8-18 X 5/8
14	W10327523	KNOB, CONTROLS
15	3348629	SCREW, 8-18 X 3/8
16	W10225059	TOP & SEAL ASSEMBLY
17	W10316616	FOAM SEAL TOP
18	W10327522	KNOB, TIMER ASSEMBLY
19	W10117655	SWITCH, PUSH TO START
20	W10354027	CONSOLE PANEL & BRACKET ASSEMBLY (INCL.8)
21	W10337521	TIMER ASSEMBLY (60 HZ.)
22	3399639	SWITCH, ROTARY TEMPERATURE
23	3405156	SWITCH, ROTARY

Distribuidor Autorizado

SurteRápido.com

Venta de Refacciones
Electrodomesticas

7MMGDC300YW0 GABINETE





7MMGDC300YW0 GABINETE

1	3390631	SCREW, 10-16 X 3/8 (EXTERNAL GROUND)
2	343641	SCREW, 10-16 X 1/2
3	693995	SCREW, HEX HEAD
4	W10236073	BRACKET, CABINET
5	3396795	COVER, BLOCK
6	3404162	CLAMP, MOTOR (W/SHIELD)
7	3396805	PANEL, REAR
8	3403630	CLIP,
9	3980175	CLAMP-ELBOW
10	3406107	DOOR SWITCH ASSEMBLY
11	697773	SCREW, 6-20 X 7/8
12	344020	CORD, POWER
13	341029	CLAMP, PIPE
14	3404413	PLUG-HOLE
15	3394083	CLIP, FRONT PANEL
16	3392100	FOOT, DRYER
17	W10121316	CLAMP, MOTOR
18	W10224934	CABINET (INCLUDES ILLUS. 4)
19	98234	CLIP, GROUND (2)
20	690363	LOCK, FRONT TOP (2)
21	W10224857	PANEL FRONT & SEAL ASSEMBLY
22	8066217	HINGE, TOP (2)
23	685203	CLIP, FELT PAD (2)
24	3389441	CATCH, DOOR ASSEMBLY
25	3405246	SEAL, DOOR
26	691366	IDLER & PULLEY ASSEMBLY
27	342055	SCREW, 8-18 X 1/2
28	W10362431	HINGE, DOOR
29	8066206	MOTOR ASSEMBLY
30	8066184	PULLEY, 60 HZ.
31	W10198086	BELT, DRIVE
32	3400500	BOLT, 5/16-18 X 3/4
33	3403431	STRIKE, PANEL

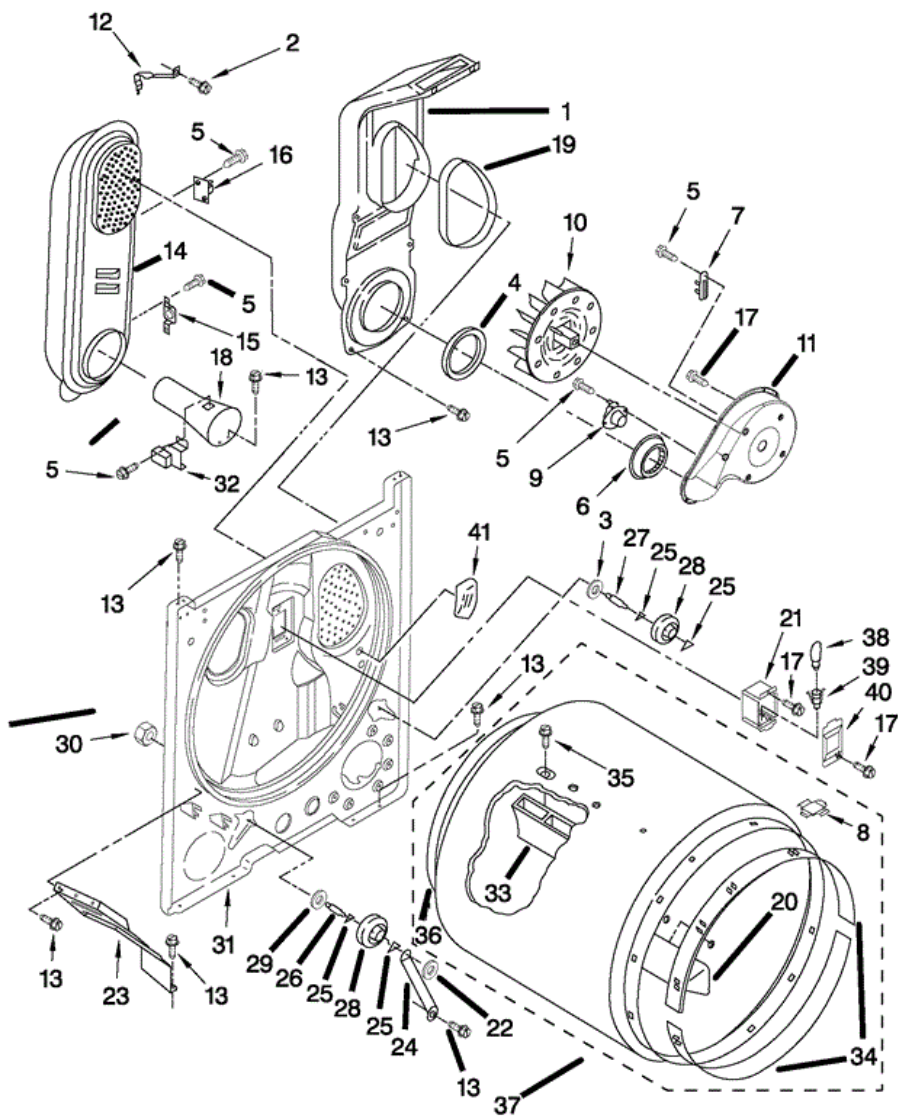
34	348780	BASE, MOTOR
35	3402341	DOOR, REAR
36	3402335	DOOR FRONT
37	8565970	HANDLE, DOOR
38	3406129	SEAL & BEARING ASSEMBLY
39	8564457	PLUG, FRONT PANEL
40	8318272	BURNER ASSEMBLY, 60 HZ.
41	W10316529	SEAL, SPILL GAURD FOAM
42	W10316619	SEAL, SPILL GUARD FOAM
43	3390647	SCREW,8-18 X ½
NI	279810	FOOT - OPTIONAL

Distribuidor Autorizado

SurteRápido.com

Venta de Refacciones
Electrodomesticas

7MMGDC300YW0 TAMBOR



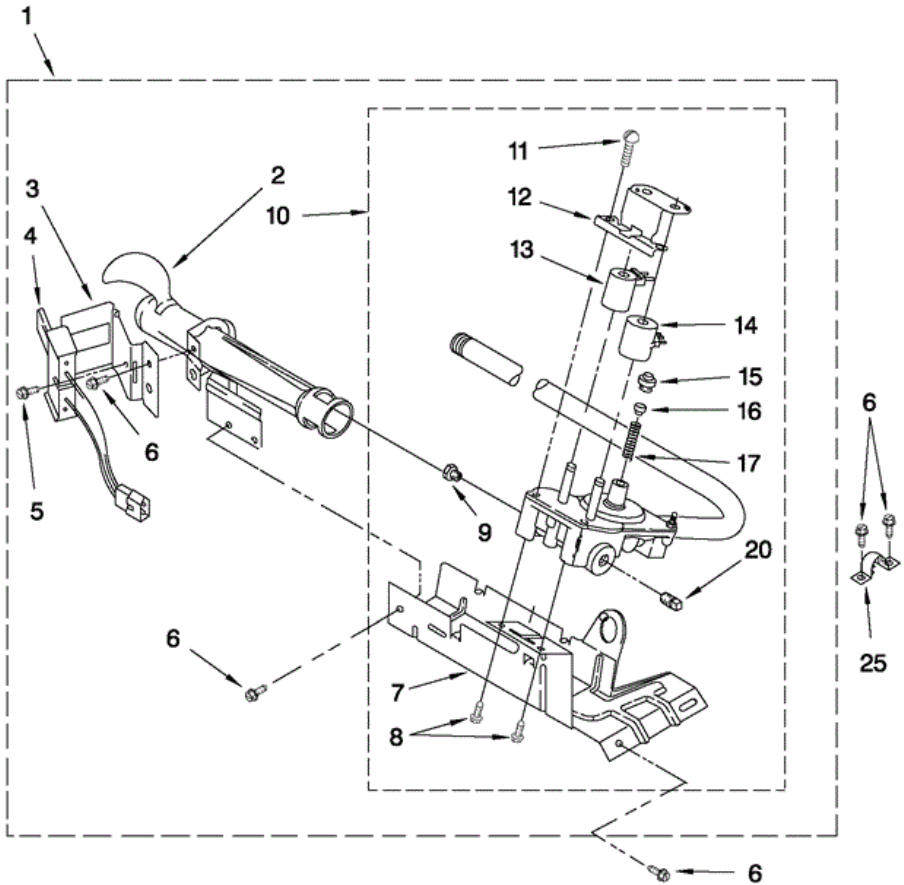


7MMGDC300YW0 TAMBOR

1	348368	LINT CHUTE ASSEMBLY
2	489463	SCREW, 8-18 X 5/8
3	3388703	WASHER-SUPPORT
4	347139	SEAL, LINT CHUTE
5	90767	SCREW, 8-18 X 3/8
6	696302	SHIELD, EXHAUST
7	3392519	THERMAL FUSE (91Å°C)
8	8066086	DRUM HOLE PLUG
9	8318268	THERMOSTAT, INTERNAL-BIAS
10	694089	WHEEL, BLOWER
11	8577230	HOUSING, BLOWER
12	8066155	CLIP
13	343641	SCREW, 10-16 X 1/2
14	8530285	BOX, HEATER
15	3403140	THERMOSTAT, 205 F (96C)
16	280010	KIT, THERMAL CUT-OFF (INCLUDES ILLUS. 15)
17	3390647	SCREW, 8-18 X 1/2
18	8066049	FUNNEL, BURNER
19	339956	SEAL
20	3403636	BAFFLE, DRUM
21	3977373	BRACKET, LIGHT
22	90296	CLIP
23	3406022	BRACKET, BULKHEAD
24	3976434	BRACKET, SUPPORT
25	690997	RING, TRI
26	W10359270	SHAFT, DRUM ROLLER (L.H.) THREADS
27	W10359269	SHAFT, DRUM ROLLER (R.H.) THREADS
28	W10314171	ROLLER, SUPPORT
29	348197	WASHER, SUPPORT
30	W10298789	NUT, 3/8-16
31	3403494	BULKHEAD
32	338906	SENSOR, RADIANT
33	692490	BAFFLE, DRUM

34	692526	RING, BEARING
35	W10219342	SCREW, 8-16X 1/2
36	W10352407	SEAL, REAR DRUM
37	695587	DRUM ASSEMBLY
38	3406124	BULB, LIGHT
39	W10136369	SOCKET ASSEMBLY LIGHT
40	3402841	LENS, DRUM LIGHT
41	3976479	PAD, SENSOR

7MMGDC300YW0 QUEMADOR





7MMGDC300YW0 QUEMADOR

1	8318272	BURNER ASSY. 60 HZ. (TYPE 1) (WHITE RODGERS)
2	688617	TUBE, BURNER
3	694298	BRACKET, IGNITOR
4	686590	IGNITOR
5	3393909	SCREW & WASHER (8-32 X 5/8)
6	343641	SCREW, 10-16 X 1/2
7	693986	BASE, BURNER
8	3387057	SCREW, 8-18 X 3/8
9	229742	ORIFICE, BURNER (TYPE 4 (BUTANE))
9	234826	ORIFICE, BURNER TYPE 1
9	234868	ORIFICE, BURNER (TYPE 4 (PROPANE))
10	8318277	VALVE, 60 HZ.(INCLUDES PIPE & ILLUS. NO.7)
11	694421	SCREW, 8-32 X 1/2 (2)
12	694538	BRACKET, COIL
13	694540	COIL, 60 HZ. 2 TERMINAL) (MAIN)
14	694539	COIL, 60 HZ. (SPLIT) (3 TERMINAL) (PILOT POSITION)
15	694424	LEAK, LIMITER
16	694423	SCREW, REGULATOR ADJUSTMENT
17	694422	SPRING, REGULATOR
20	239822	PLUG, PIPE
25	341029	CLAMP, PIPE
NI	694572	CONVERSION KIT (TYPE 1) TO TYPE (4) L.P.G.