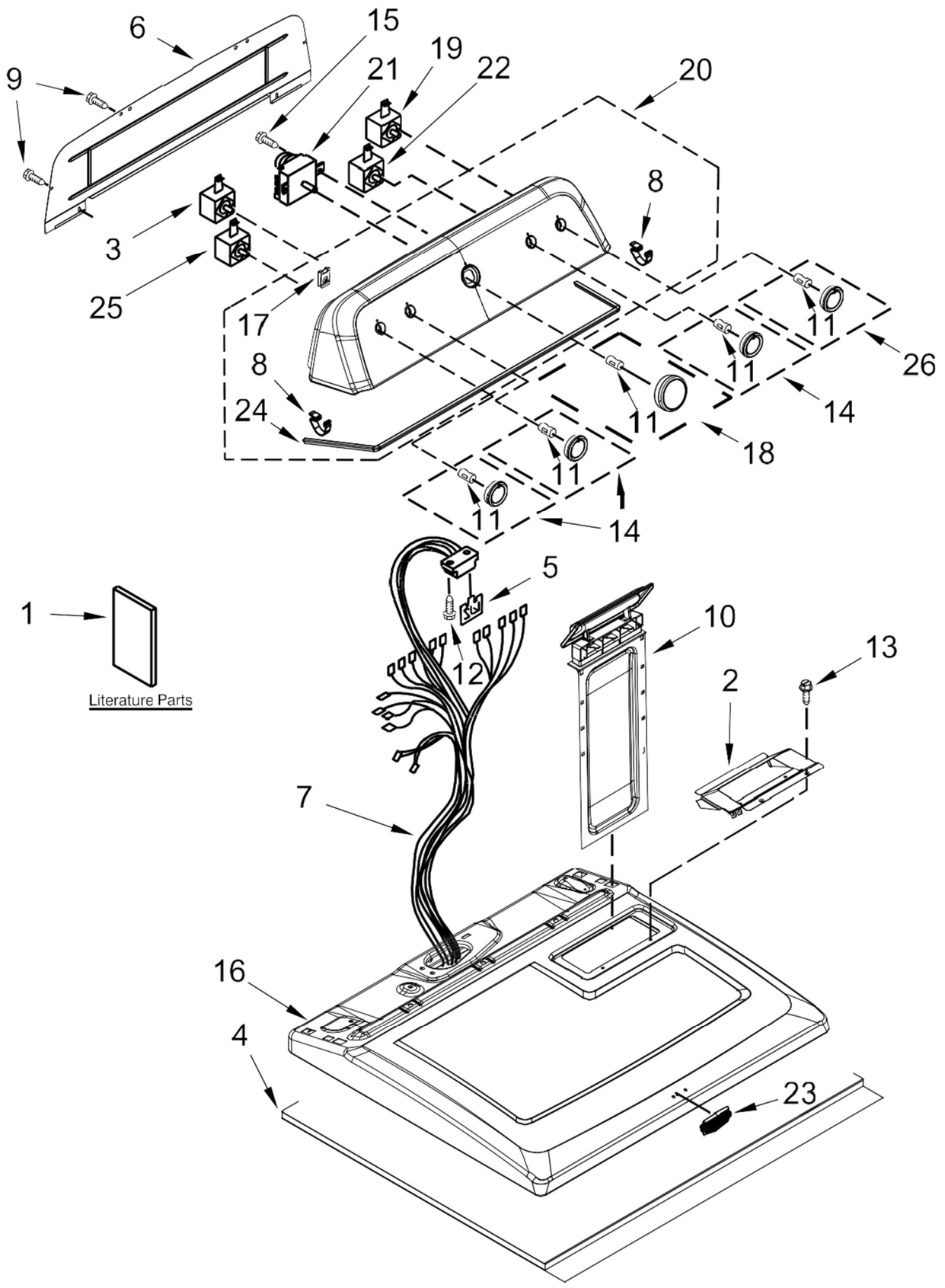


Secadora Maytag 7MMGDC400DW2



Literature Parts



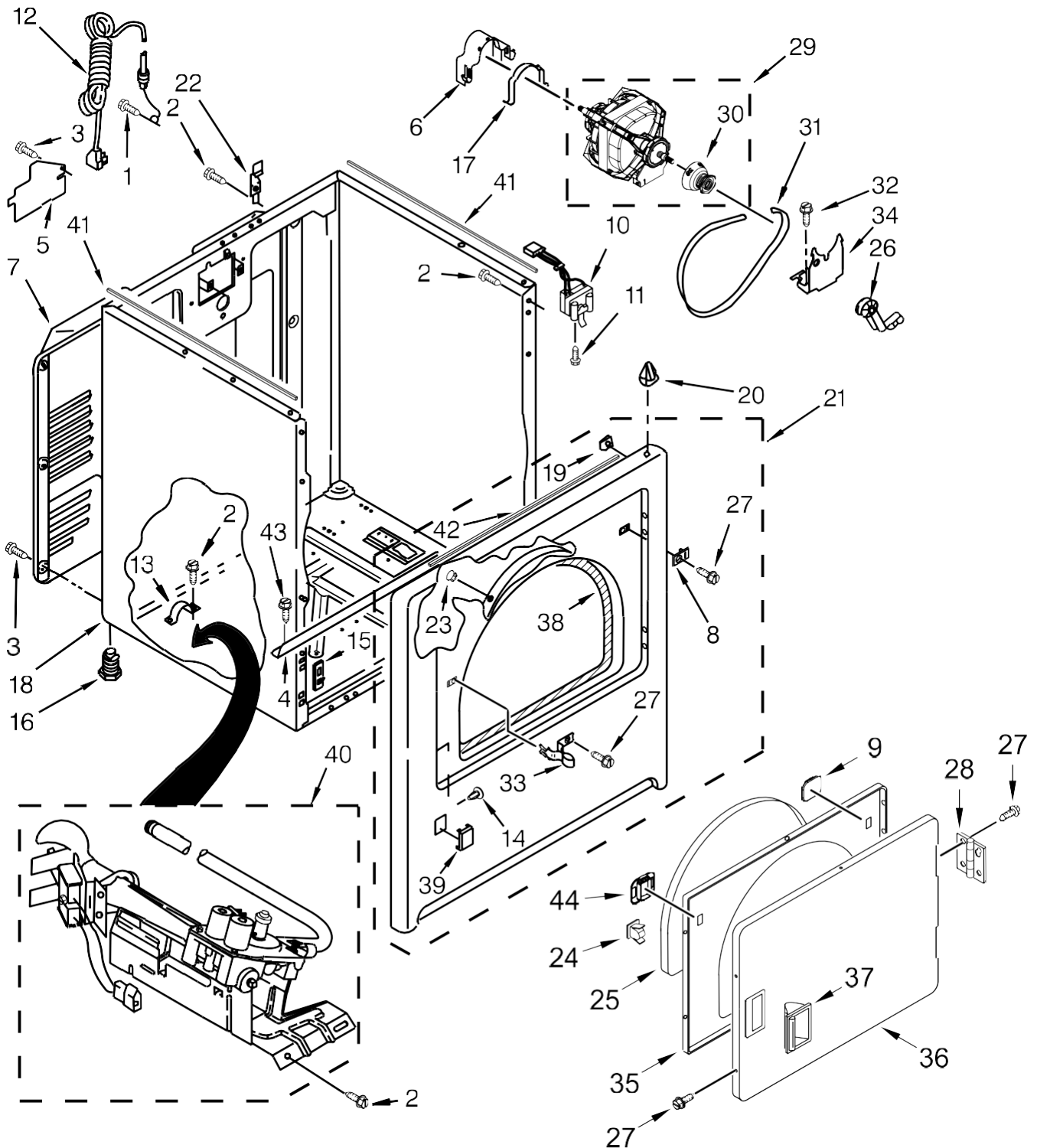
Secadora Maytag 7MMGDC400DW2

<u>Illus.</u> <u>No.</u>	<u>Part No.</u>	<u>Description</u>
1	Literature Parts W10652705 Use and Care Guide	
	W10658641	Installation Instructions
	W10663990	Diagram, Wiring
2	W10662472	Collar, LintChute
3	W10627711	Switch, Rotary(Signal)
4	W10123956	Panel, Dampening
5	W10476828	Control, Electronic
6	W10416486	Panel, Rear Console
7	W10640712	Harness, Main
8	8312709	Clip, Console
9	693995	Screw

<u>Illus.</u> <u>No.</u>	<u>Part No.</u>	<u>Description</u>
10	W10508973	Assembly, LintScreen
11	8536939	Clip, Spring
12	3393008	Screw
13	688983	Screw
14		Assembly, Control Knob
	W10562155	Grey
15	3348629	Screw
16		Top
	W10513432	White
17	W10298336	Nut, "U"
18		Assembly, TimerKnob
	W10558463	Grey
19	W10563095	Switch, Rotary (Push To Start)

<u>Illus.</u> <u>No.</u>	<u>Part No.</u>	<u>Description</u>
20	Assembly, ConsoleW10652553	
		White
21	W10642928	Assembly, Timer
22	W10562713	Switch, Rotary (Temperature)
23	W10492808	Badge
24	W10588162	Seal, Console
25	W10563094	Switch, Rotary (Wrinkle Control)
26	Knob, Push To StartW10565871	
		Grey

Secadora Maytag 7MMGDC400DW2



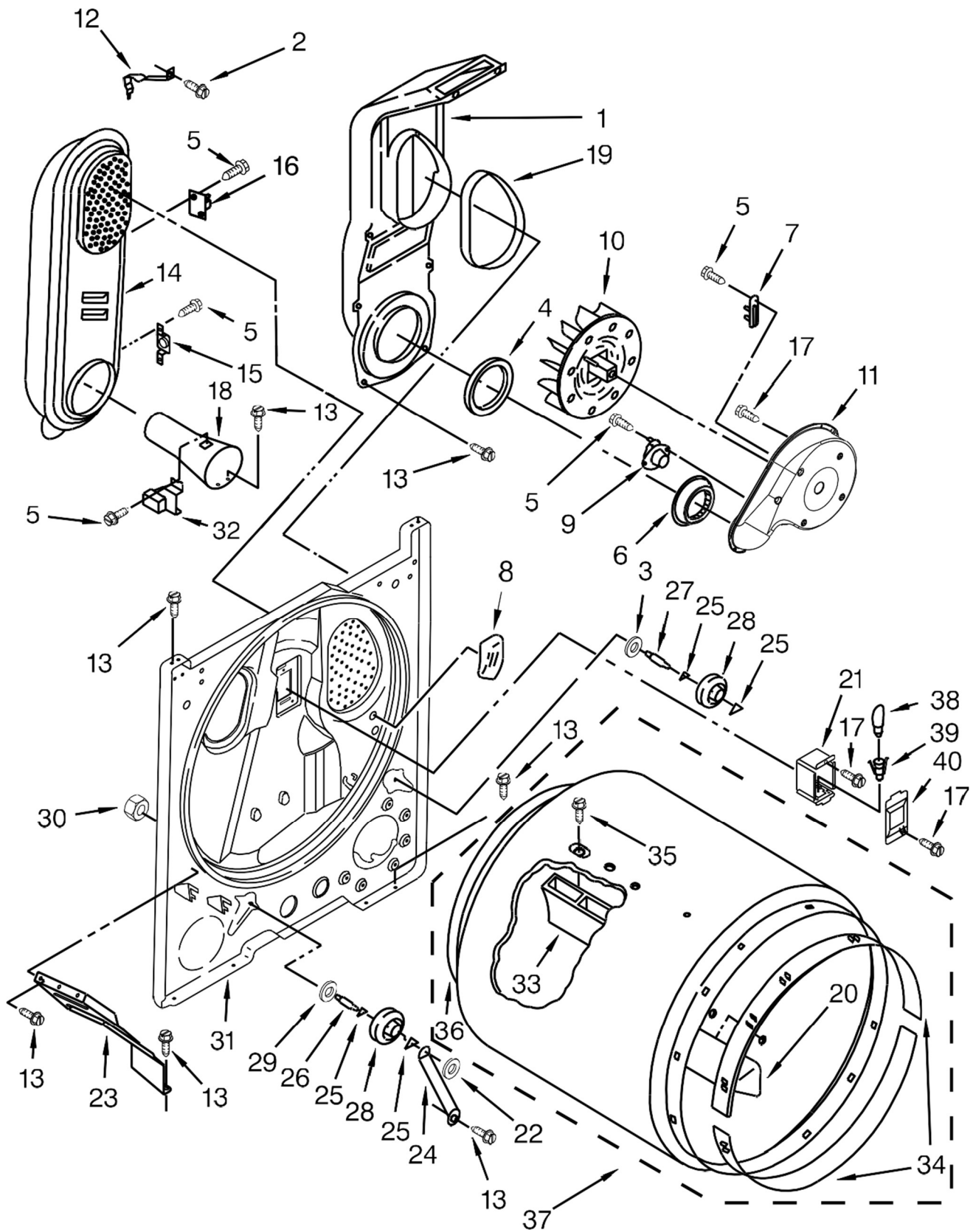


Secadora Maytag 7MMGDC400DW2

<u>Illus. No.</u>	<u>Part No.</u>	<u>Description</u>
1	3390631	Screw
2	343641	Screw
3	693995	Screw
4	W10236073	Bracket, Cabinet
5	3396795	Cover, TerminalBlock
6	W10121316	Clamp, MotorMount
7	W10571724	Panel, Rear
8	W10567345	Plug, Strike
9	W10529198	Cover, Door Catch
10	W10569603	Switch, Door
11	697773	Screw
12	344020	Cord, Power
13	341029	Clamp, Pipe
14	3404413	Plug, Hole
15	3394083	Clip, Front Panel
16	W10561321	Foot, Dryer
17	3404162	Clamp, Motor (With Shield)

<u>Illus. No.</u>	<u>Part No.</u>	<u>Description</u>
18		Cabinet
	W10224934	White
19	98234	Clip, Ground
20	8066092	Lock, Front Top
21		Panel, Front
	W10224855	White
22	8066217	Hinge, Top
23	685203	Clip, Felt Pad
24	W10610880	Assembly, DoorCatch
25	W10730752	Seal, Door
26	691366	Idler Assembly
27	342055	Screw
28	W10362431	Assembly, Hinge and Pin
29	W10396032	Assembly, Motor
30	8066184	Pulley, Motor
31	W10198086	Belt, Drive
32	3400500	Bolt
33	3403431	Strike, Door

<u>Illus. No.</u>	<u>Part No.</u>	<u>Description</u>
34	348780	Base, Motor
35	W10463967	Door, Inner
36		Door, Front
	3402335	White
37	Handle, Door W10861225	White
38	W10663510	Assembly, Seal and Bearing
39		Plug, Front Panel
	8564457	White
40	W10336852	Burner Assembly (60 Hz) (Type 1 and 2)
41	W10316529	Seal, Foam
42	W10316619	Seal, Spill Guard
43	3390647	Screw
44	W10529197	Bezel, Door Catch





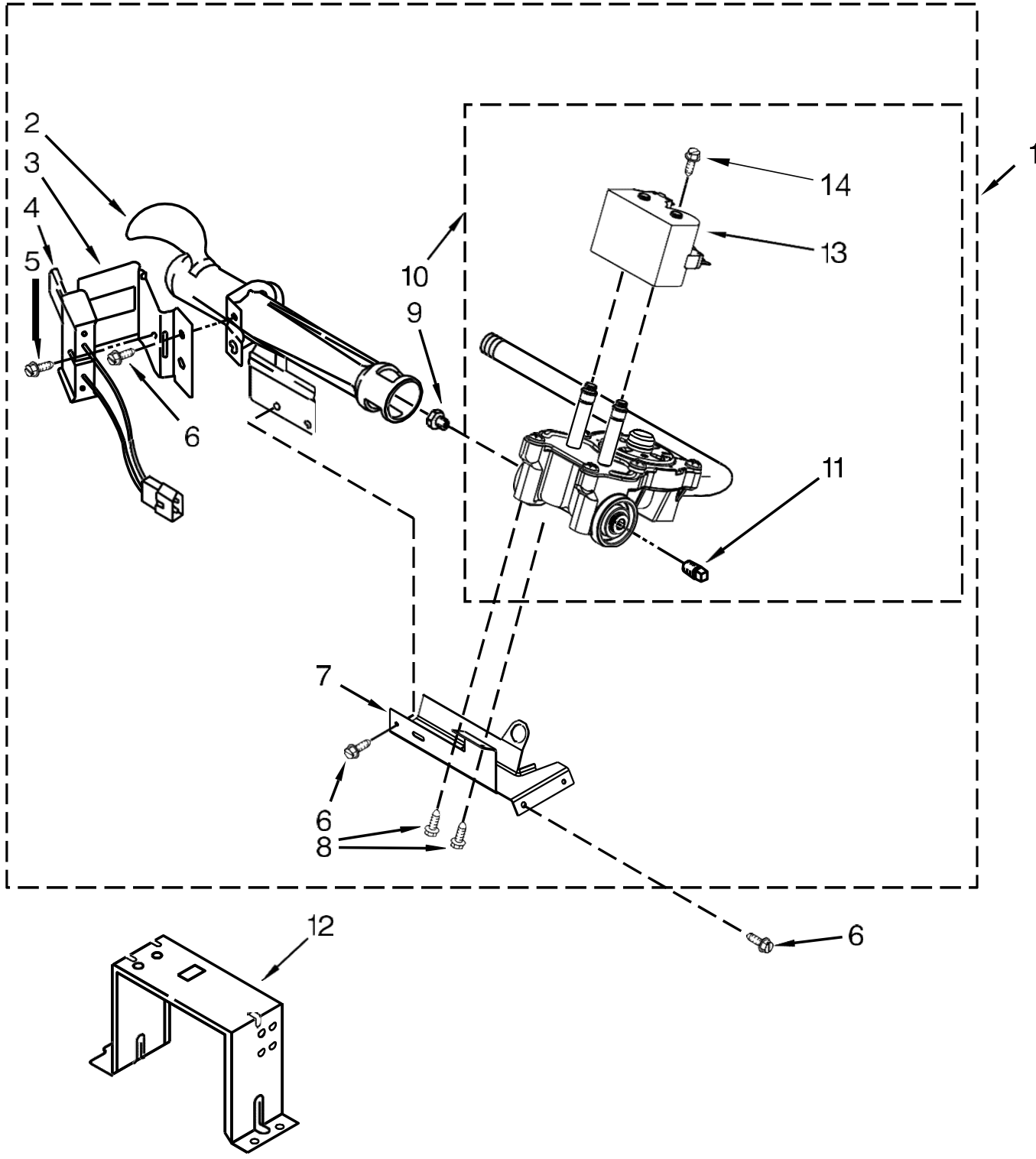
Secadora Maytag 7MMGDC400DW2

<u>Illus. No.</u>	<u>Part No.</u>	<u>Description</u>
1	348368	Assembly, Lint Chute
2	489463	Screw
3	3388703	Washer
4	347139	Seal, Lint Chute
5	90767	Screw
6	W10389567	Shield, Exhaust
7	3392519	Fuse, Thermal (91C)
8	3976479	Pad, Sensor
9	8318268	Thermostat
10	694089	Wheel, Blower
11	8577230	Housing, Blower
12	3398161	Clip, Heater Box
13	343641	Screw
14	8530285	Box, Heater (96C)
15	W10423382	Thermostat, High Limit SPST (180F)
16	3977394	Thermal Cut-Off

<u>Illus. No.</u>	<u>Part No.</u>	<u>Description</u>
17	3390647	Screw
18	8066049	Funnel, Burner Light
19	339956	Seal
20	3403636	Baffle, Drum (Short)
21	3977373	Bracket, Drum Light
22	90296	Nut, Push On
23	3406022	Bracket, Bulkhead Chute
24	3976434	Bracket, Support
25	W10512946	Washer, Tri Ring
26	W10359270	Shaft, Drum Roller -Left Hand Thread
27	W10359269	Shaft, Drum Roller - Right Hand Thread
28	W10314173	Roller, Support
29	348197	Washer
30	W10298789	Nut, Hex
31	3403414	Bulkhead

<u>Illus. No.</u>	<u>Part No.</u>	<u>Description</u>
32	338906	Sensor, Radiant
33	692490	Baffle, Drum (Long)
34	692526	Bearing, Ring
35	W10219342	Screw
36	W10663495	Seal, Rear Drum
37	W10389436	Assembly, Drum (Complete)
38	3406124	Bulb, Light
39	W10214261	Socket, Light
40	3402841	Lens, Drum Light

USE WITH TYPE 1 - NATURAL, TYPE 2 - MIXED,
 TYPE 4 - LIQUEFIED PROPANE AND BUTANE GASES





Secadora Maytag 7MMGDC400DW2

<u>Illus.</u>	<u>No.</u>	<u>Part No.</u>	<u>Description</u>
	1	W10336852	Burner Assembly (60 Hz) (Type 1 and 2)
	2	688617	Tube, Burner
	3	694298	Bracket, Ignitor
	4	686590	Ignitor
	5	W10366705	Screw
	6	343641	Screw

<u>Illus.</u>	<u>No.</u>	<u>Part No.</u>	<u>Description</u>
	7	693986	Base, Burner
	8	3387057	Screw
	9		Orifice, Burner
		234826	Type 1 (Natural)
	10	W10304604	Valve, Gas (60 Hz)
	11	W10295523	Pipe Plug

<u>Illus.</u>	<u>No.</u>	<u>Part No.</u>	<u>Description</u>
	12	3389889	Bracket, Support
	13	W10328463	Coil (60 Hz)
	14	326049536	Screw
			Following Parts Not Illustrated
		W10307153	Conversion Kit (Type 1 and 2) to Type (4) L.P.G.



Secadora Maytag 7MMGDC400DW2

ACCESSORY PARTS

<u>Illus.</u> <u>No.</u>	<u>Part No.</u> <u>Description</u>
	279948 Kit, Dryer Repair
	346764 Kit, Hold Down
	8522199 Kit, Dryer Vent Testing
	3406839 Dry Rack
W10676169	BAG ASSEMBLY, INCLUDES THE FOLLOWING:
W10439655	Hose, Inlet (2')
3976300	Washer, Inlet Hose
W10336486	Connector, Hose -"Y"

PAINT, TOUCH-UP (1/2OZ.)

<u>Illus.</u> <u>No.</u>	<u>Part No.</u> <u>Description</u>
	72017 White

PAINT, BULK (1 QT.)

<u>Illus.</u> <u>No.</u>	<u>Part No.</u> <u>Description</u>
	799344 White

PAINT, PRESSURIZED SPRAY (12 OZ.)

<u>Illus.</u> <u>No.</u>	<u>Part No.</u> <u>Description</u>
	350930 White
	350938 Gray Primer