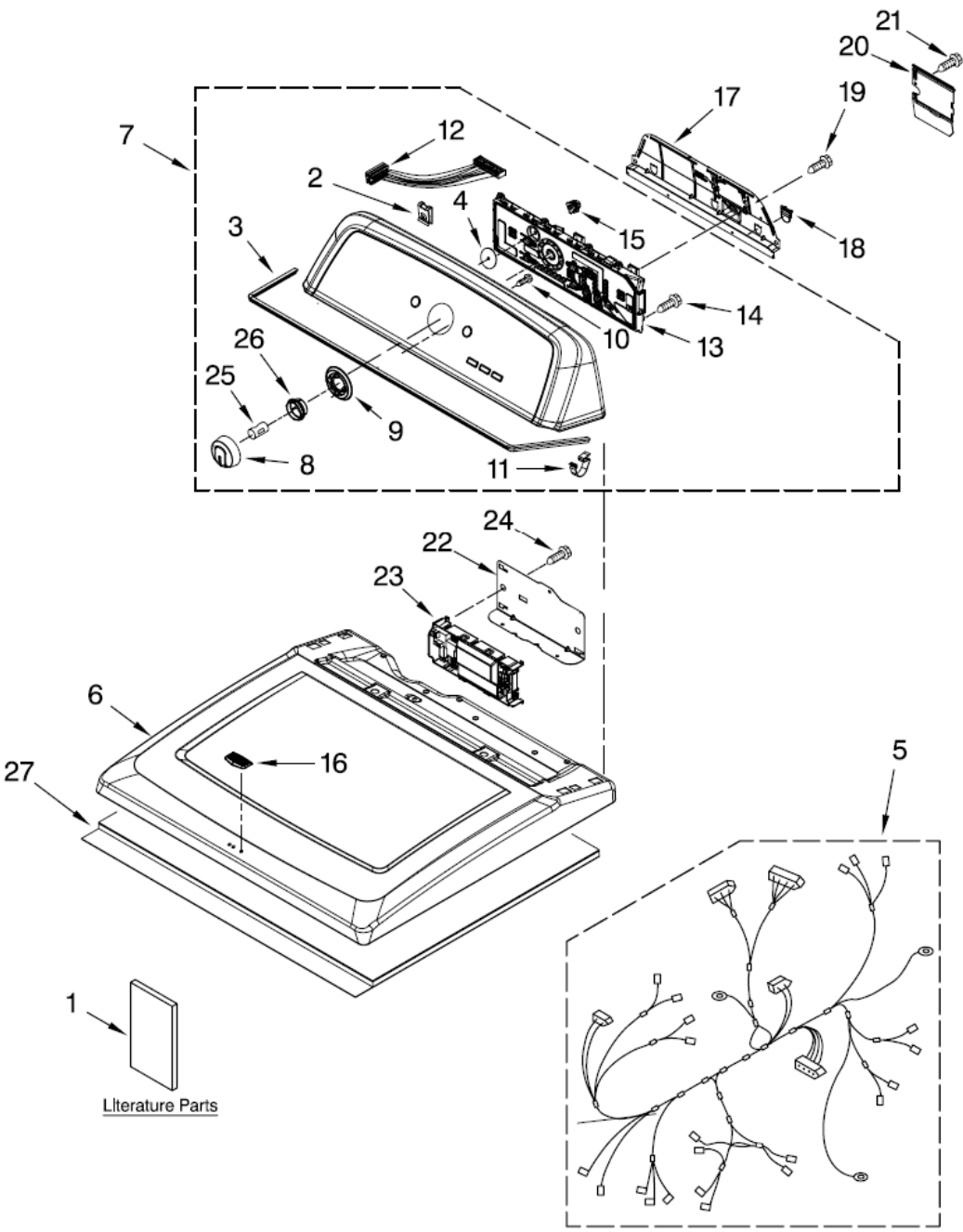


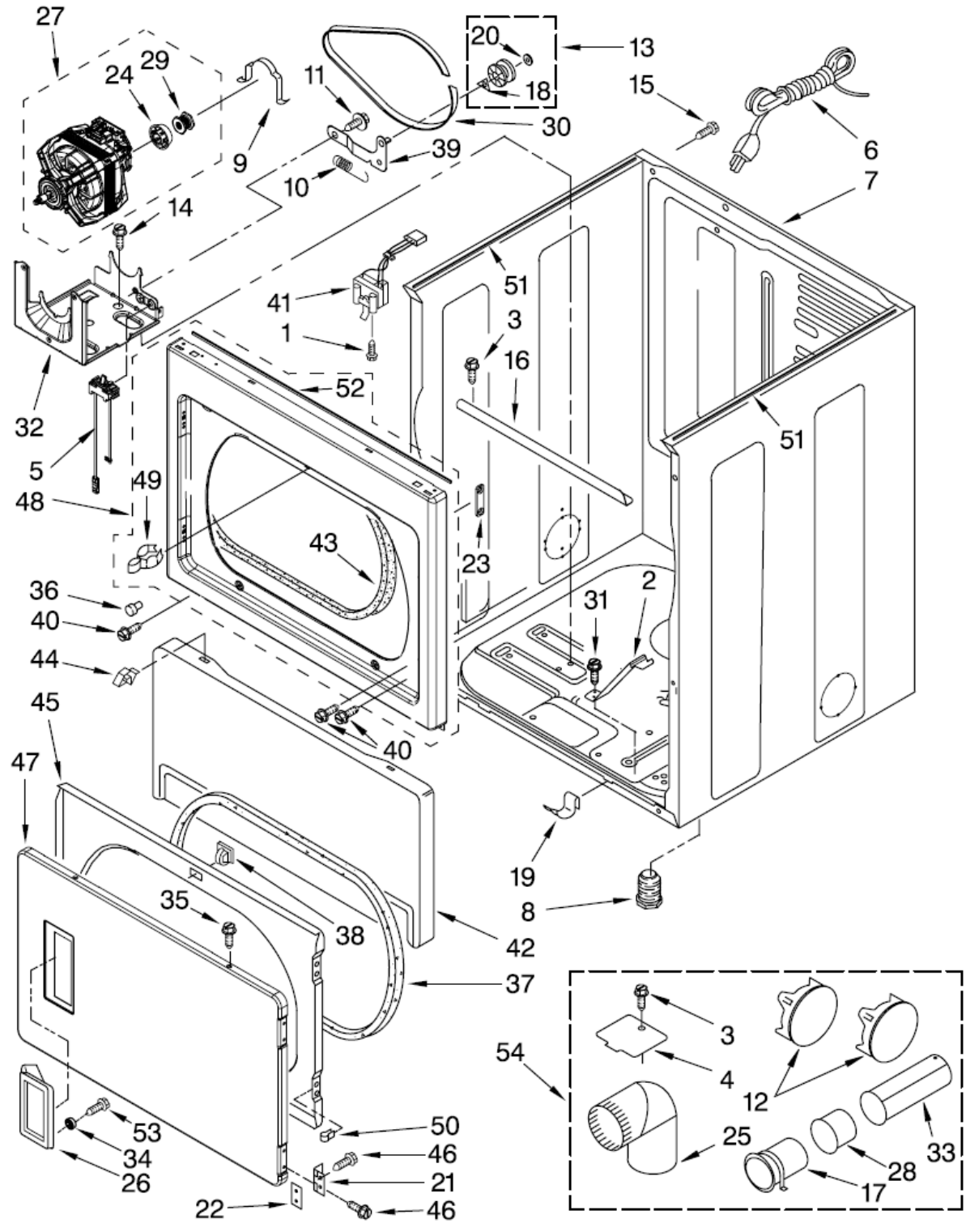
SECADORA 7MMGDX550XW



- | | | |
|----|-----------|-----------------------------|
| 1 | W10259284 | Literature Parts |
| | W10329762 | Wiring Diagram |
| | W10329763 | Guide, Use & Care |
| | | Installation, Instruction |
| | W10097035 | Tech Sheet |
| 2 | W10298336 | Nut, 8-18 U-Type |
| 3 | W10280079 | Seal, Console |
| 4 | W10323092 | Seal, UI |
| 5 | W10253982 | Main Harness |
| 6 | W10268730 | Top |
| 7 | W10329789 | Console Assembly (Complete) |
| 8 | W10251381 | Knob Assembly |
| 9 | W10305134 | Bezel, Cycle Trim |
| 10 | 3196172 | Screw, 6-19 X .375 |
| 11 | 8312709 | Clip, Console |
| 12 | W10285495 | Cable-UI |
| 13 | W10272635 | User Interface Assembly |
| 14 | W10219342 | Screw, 8-16 X .750 |
| 15 | W10274524 | Fascia, Tensioner |
| 16 | W10323735 | Maytag Badge |
| 17 | W10096969 | Panel, Rear |
| 18 | W10279552 | Plug-Upper Rear Panel |
| 19 | 3390647 | Screw, 8-18 x 5/16 |
| 20 | W10338363 | Cover, Terminal Block |
| 21 | 3390814 | Screw, 8-18 x 3/8 |
| 22 | W10271580 | Bracket, Motor Control |
| 23 | W10317638 | CCU-Control |
| 24 | 342055 | Screw, 8-18 x 5/8 |
| 25 | 8536939 | Spring, Clip Knob |
| 26 | W10326923 | Spacer, Knob |
| 27 | W10123956 | Dampening Panel |

Literature Parts

SECADORA 7MMGDX550XW





SECADORA 7MMGDX550XW

| Illus. No. | Part No. | DESCRIPTION |
|------------|-----------|---|
| 1 | 697773 | Screw, 6-20 x 7/8 |
| 2 | 8529757 | Bracket, Burner |
| 3 | 3390647 | Screw, 8-18 x 5/16 |
| 4 | 3394331 | Plate, Cover |
| 5 | W10246525 | Switch, Broken Belt |
| 6 | 344020 | Cord, Power |
| 7 | 8310656 | Cabinet |
| 8 | 3392100 | Foot, Dryer |
| | 279810 | Foot - Optional (Extended Length Package Of 2) (Not Included) |
| 9 | 660658 | Clamp, Motor (2) |
| 10 | 3387374 | Spring, Idler |
| 11 | 3389420 | Retainer, Idler |
| 12 | 49252 | Plug, Multivent |
| 13 | 3388672 | Pulley Assembly |
| 14 | 343641 | Screw, 10-16 x 1/2 |
| 15 | 8533971 | Screw, Ground |
| 16 | W10236068 | Bracket, Cabinet |
| 17 | 8563747 | Exhaust Pipe & Bracket |
| 18 | 690997 | Tri Ring |
| 19 | W10291934 | Retainer, Toe Kick (Lower) |

| Illus. No. | Part No. | DESCRIPTION |
|------------|-----------|------------------------|
| 20 | W10121334 | Washer |
| 21 | 3389247 | Hinge & Pin Assembly |
| 22 | 3390902 | Clip, Door Hinge |
| 23 | W10191265 | Plug-Hinge Screw |
| 24 | 3393657 | Restrainer, Belt |
| 25 | 49026 | 4" - 90° Elbow |
| 26 | W10284182 | Handle, Door |
| 27 | W10281085 | Motor, Assembly 60 HZ. |
| 28 | 8563750 | Exhaust Pipe (Short) |
| 29 | 3389729 | Pulley, Motor |
| 30 | W10112954 | Belt, Drive |
| 31 | 693995 | Screw, 8-18 x 3/8 |
| 32 | W10242878 | Bracket, Motor |
| 33 | 8563749 | Exhaust Pipe (Long) |
| 34 | W10294344 | Spacer, Handle Mount |
| 35 | 694091 | Screw, 8-18 x 5/16 |
| 36 | 693152 | Bumper |
| 37 | 3390735 | Door Seal |
| 38 | 3392538 | Catch, Door Assembly |

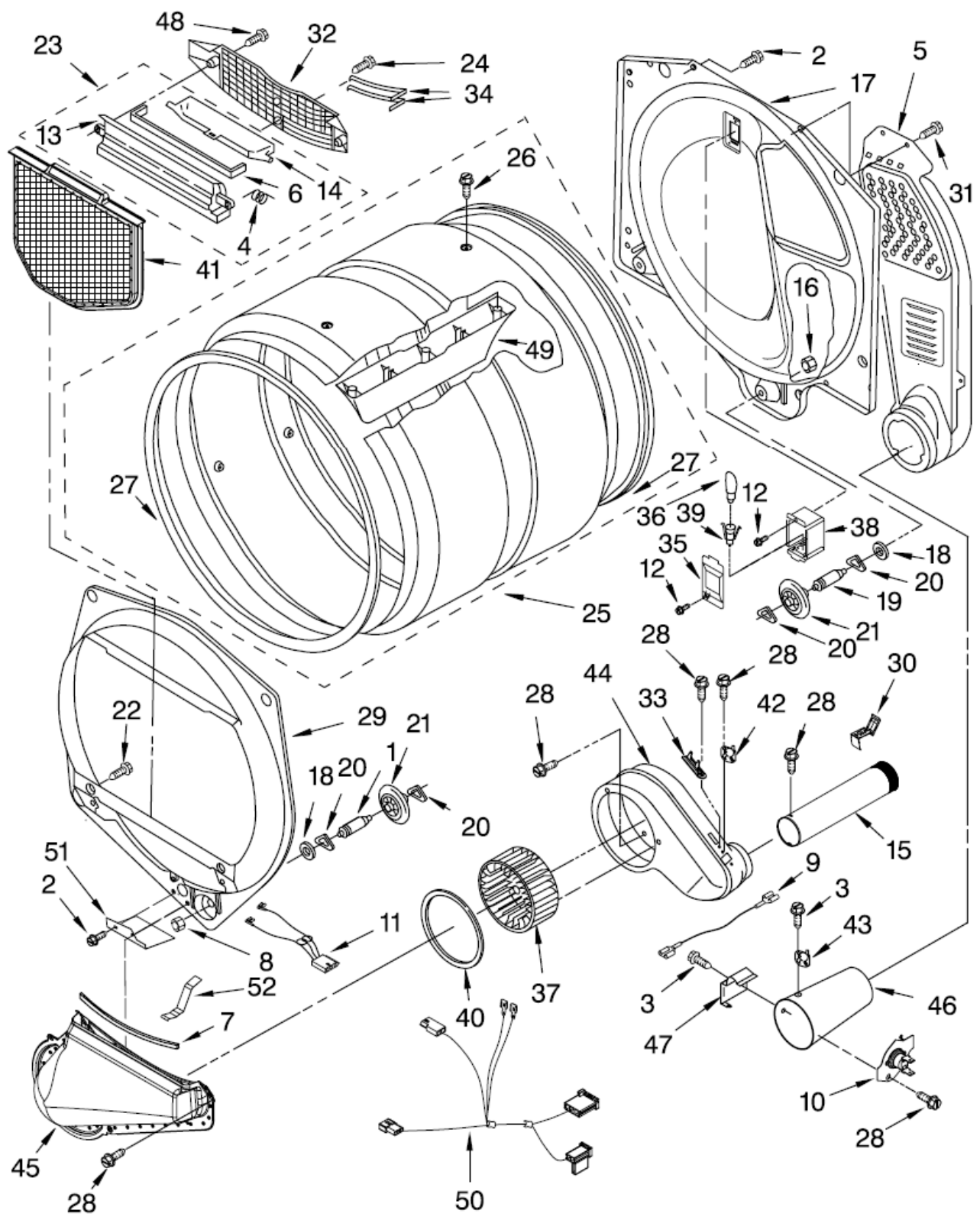
| Illus. No. | Part No. | DESCRIPTION |
|------------|-----------|--------------------------------|
| 39 | 3388674 | Idler Bracket |
| 40 | 3357011 | Screw, 10-16 x 1/2 |
| 41 | 3406107 | Door Switch Assembly |
| 42 | 697215 | Toe, Panel (Includes Item. 36) |
| 43 | 3387242 | Seal, Front Panel |
| 44 | 3388229 | Retainer, Toe Panel |
| 45 | 3392563 | Door, Inner |
| 46 | 342055 | Screw, 8-18 x 3/8 |
| 47 | W10279721 | Door, Outer |
| 48 | W10115218 | Front Panel |
| 49 | 696144 | Strike, Door |
| 50 | 3389249 | Nut, Inner |
| 51 | W10336128 | Seal, Cabinet |
| 52 | W10312811 | Foam Seal |
| 53 | W10192860 | Screw, 6-19 x 1/2 |

Optional Parts Not Included

**Dryer Exhaust Kit
(For Side & Bottom Venting)**

54 W10331132 White

SECADORA 7MMGDX550XW





SECADORA 7MMGDX550XW

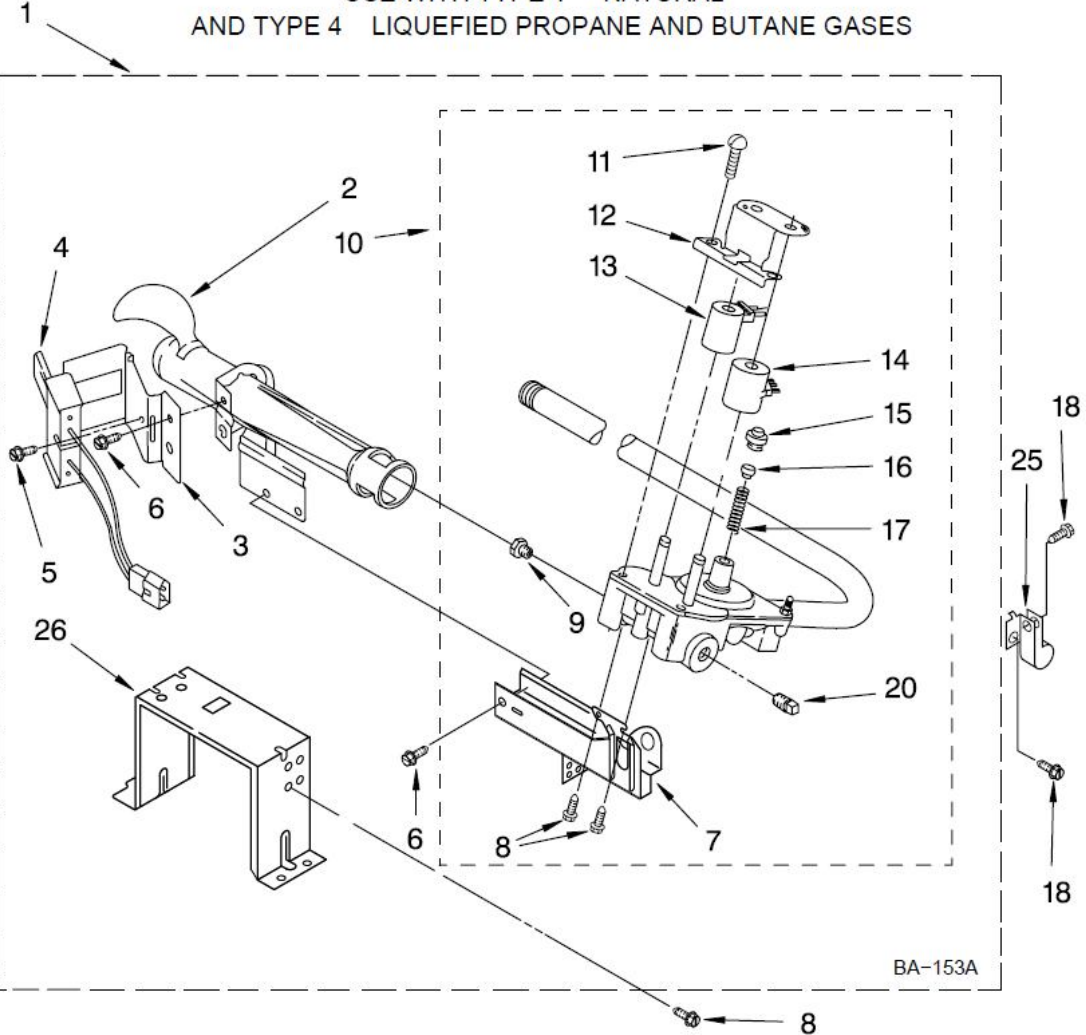
| Illus. No. | Part No. | DESCRIPTION |
|------------|-----------|----------------------------------|
| 1 | W10359271 | Shaft, Drum Roller (R.H.) Thread |
| 2 | 3390647 | Screw, 8-18 x 1/2 |
| 3 | 90767 | Screw, 8-18 x 3/8 |
| 4 | 3394986 | Spring, Lint Screen Door |
| 5 | W10293765 | Air Duct Assembly |
| 6 | 697813 | Seal, Outlet Housing |
| 7 | 697814 | Seal, Drum Front |
| 8 | 3934666 | Nut, 3/8 x 16 (R.H.) |
| 9 | 3401707 | Jumper, TCO Hi-Limit |
| 10 | 8573713 | Thermal, Cut-Off |
| 11 | W10298258 | Harness, Sensor |
| 12 | 487909 | Screw, 8-15 x 1/2 |
| 13 | W10153414 | Housing, Outlet |
| 14 | W10153413 | Door, Lint Screen |
| 15 | 8066224 | Exhaust Pipe |

| Illus. No. | Part No. | DESCRIPTION |
|------------|-----------|----------------------------------|
| 16 | W10001120 | Nut, 3/8-16 (L.H.) |
| 17 | 8520836 | Bulkhead, Rear |
| 18 | 3387459 | Washer, Support |
| 19 | W10359272 | Shaft, Drum Roller (L.H.) Thread |
| 20 | 690997 | Ring, Tri |
| 21 | W10314171 | Roller, Support |
| 22 | 342055 | Screw, 8-18 x 1/2 |
| 23 | W10153423 | Outlet Housing Assembly |
| 24 | 359625 | Screw, 8-18 x 1/2 |
| 25 | 8318215 | Complete Drum Assembly |
| 26 | W10219342 | Screw, 11-16 x 3/4 |
| 27 | W10166807 | Seal, Drum |
| 28 | 8533971 | Screw |
| 29 | 697557 | Bulkhead, Front |
| 30 | 8572105 | Clip, Exhaust |
| 31 | 489463 | Screw |
| 32 | W10153412 | Grille, Outlet |
| 33 | 3392519 | Thermal Fuse |

| Illus. No. | Part No. | DESCRIPTION |
|------------|-----------|------------------------------|
| 34 | 3387223 | Electrode, Sensor |
| 35 | 3402841 | Lens, Drum Light |
| 36 | 3406124 | Bulb, Light |
| 37 | 697772 | Wheel, Blower |
| 38 | 8578825 | Bracket, Light |
| 39 | W10214261 | Socket, Assembly |
| 40 | 697770 | Seal, Cover Plate |
| 41 | W10049370 | Screen, Lint |
| 42 | 8577274 | Thermister |
| 43 | 3391912 | Thermostat, High-Limit 255°F |
| 44 | 8544362 | Housing, Blower |
| 45 | 8066168 | Lint Duct Assembly |
| 46 | 8573824 | Funnel, Bumer |
| 47 | 338906 | Sensor, Radiant |
| 48 | 3387230 | Screw, 10-16 x 13/16 |
| 49 | 697693 | Baffle, Drum |
| 50 | W10305870 | Harness, Gas |
| 51 | W10128629 | Shield, Blower |
| 52 | 8066208 | Clip, Spring |

SECADORA 7MMGDX550XW

USE WITH TYPE 1 - NATURAL
 AND TYPE 4 LIQUEFIED PROPANE AND BUTANE GASES



| Illus. No. | Part No. | DESCRIPTION |
|------------|-----------|---|
| 1 | 8576353 | Burner Assembly 60 Hz. (Type 1) (White Rodgers) |
| 2 | 688617 | Tube, Burner |
| 3 | 694298 | Bracket, Ignitor |
| 4 | 686590 | Ignitor |
| 5 | 3393909 | Screw & Washer (8-32 x 7/8) |
| 6 | 343641 | Screw, 10-16 x 1/2 |
| 7 | 3389871 | Base, Burner |
| 8 | 3387057 | Screw, 8-18 x 3/8 |
| 9 | | Orifice, Burner |
| | 15418 | Type 1 |
| | 15422 | Type 4 (Butane) |
| | 234867 | Type 4 (Propane) |
| 10 | W10118347 | Valve, Gas 60 Hz. (Complete) (Includes Pipe & Illus. #7). |
| 11 | 694421 | Screw, 8-32 x 1 1/2 (2) |
| 12 | 694538 | Bracket, Coil |
| 13 | 694540 | Coil, 60 Hz. (2 Terminal) (Main) |
| 14 | 694539 | Coil, 60 Hz. (Split) (3 Terminal) (Pilot Position) |
| 15 | 694424 | Leak, Limiter |
| 16 | 694423 | Screw, Regulator Adjustment |
| 17 | 694422 | Spring, Regulator |
| 18 | 3390647 | Screw, 8-18 x 1/2 |
| 20 | 239822 | Plug, Pipe |
| 25 | 3387561 | Clamp, Pipe |
| 26 | 3389889 | Bracket, Support |

Following Parts Not Illustrated

- 8576846 Conversion Kit (Type 1) to Type (4) LPG).