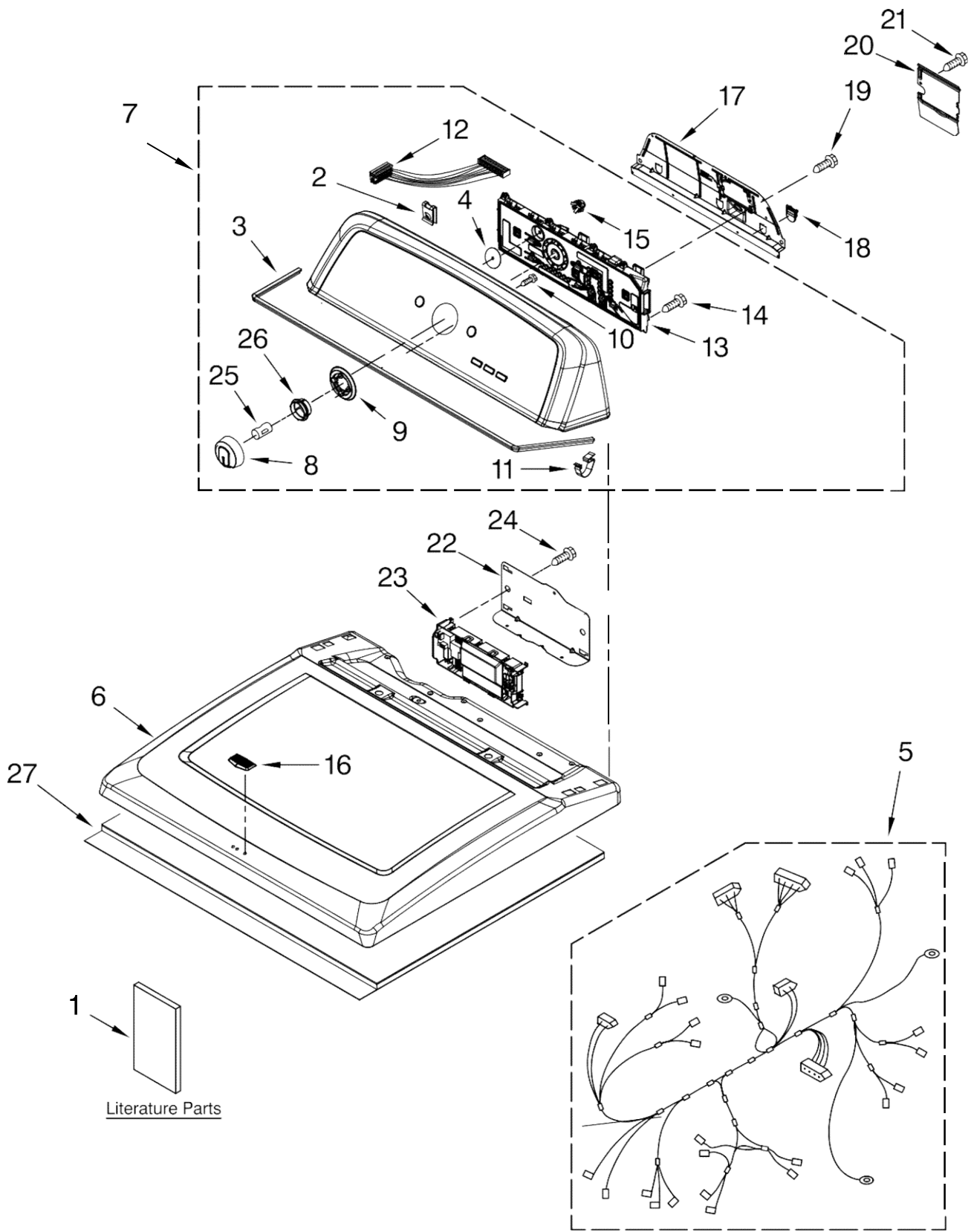


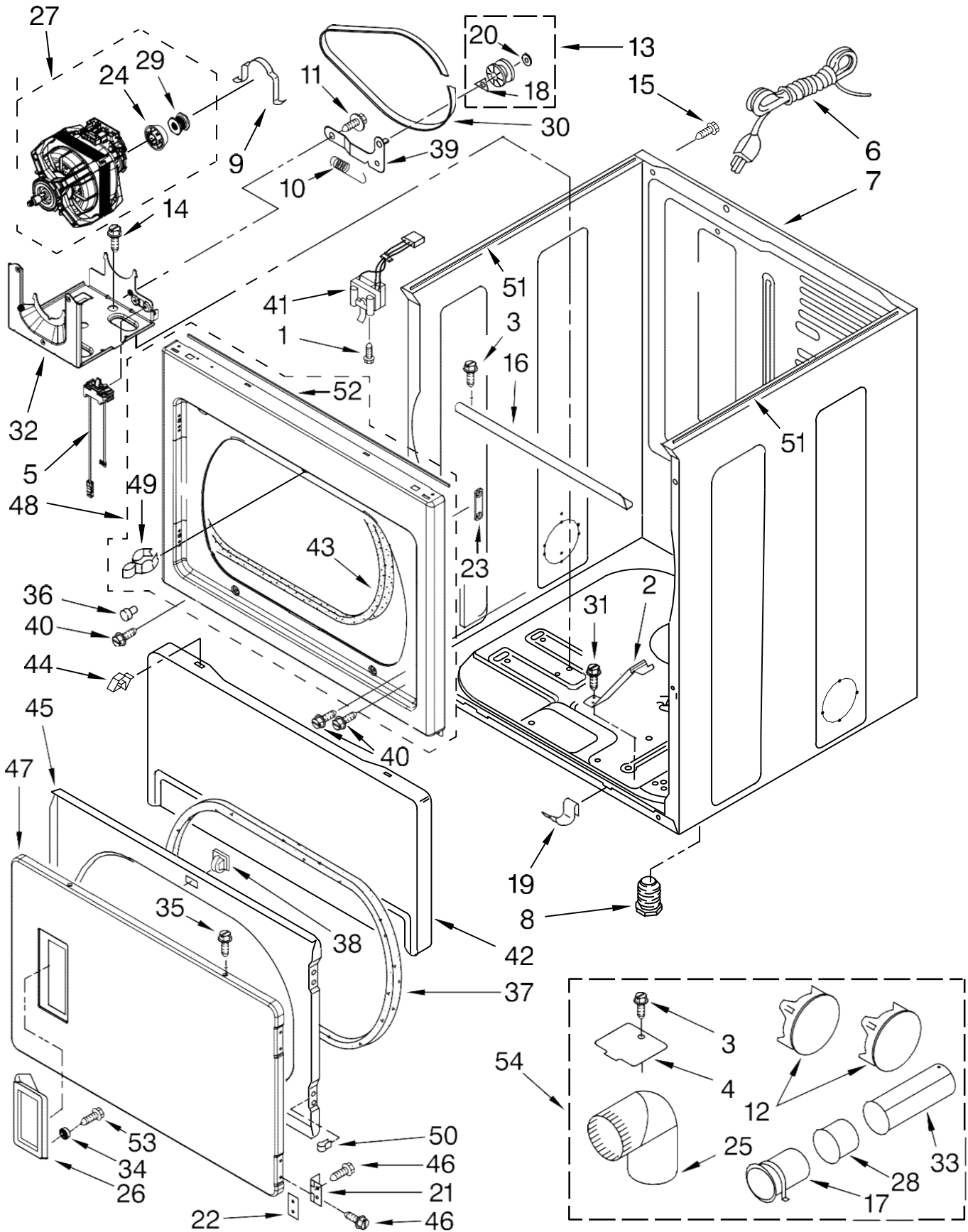
Secadora Maytag 7MMGDX550XW0





Secadora Maytag 7MMGDX550XW0

Illus. No.	Part No.	DESCRIPTION
1		Literature Parts
	W10259284	Wiring Diagram
	W10329762	Guide, Use & Care
	W10329763	Installation, Instruction
	W10097035	Tech Sheet
2	W10298336	Nut, 8-18 U-Type
3	W10280079	Seal, Console
4	W10323092	Seal, UI
5	W10253982	Main Harness
6	W10268730	Top
7	W10329789	Console Assembly (Complete)
8	W10251381	Knob Assembly
9	W10305134	Bezel, Cycle Trim
10	3196172	Screw, 6-19 X .375
11	8312709	Clip, Console
12	W10285495	Cable-UI
13	W10272635	User Interface Assembly
14	W10219342	Screw, 8-16 X .750
15	W10274524	Fascia, Tensioner
16	W10323735	Maytag Badge
17	W10096969	Panel, Rear
18	W10279552	Plug-Upper Rear Panel
19	3390647	Screw, 8-18 x 5/16
20	W10338363	Cover, Terminal Block
21	3390814	Screw, 8-18 x 3/8
22	W10271580	Bracket, Motor Control
23	W10317638	CCU-Control
24	342055	Screw, 8-18 x 5/8
25	8536939	Spring, Clip Knob
26	W10326923	Spacer, Knob
27	W10123956	Dampening Panel

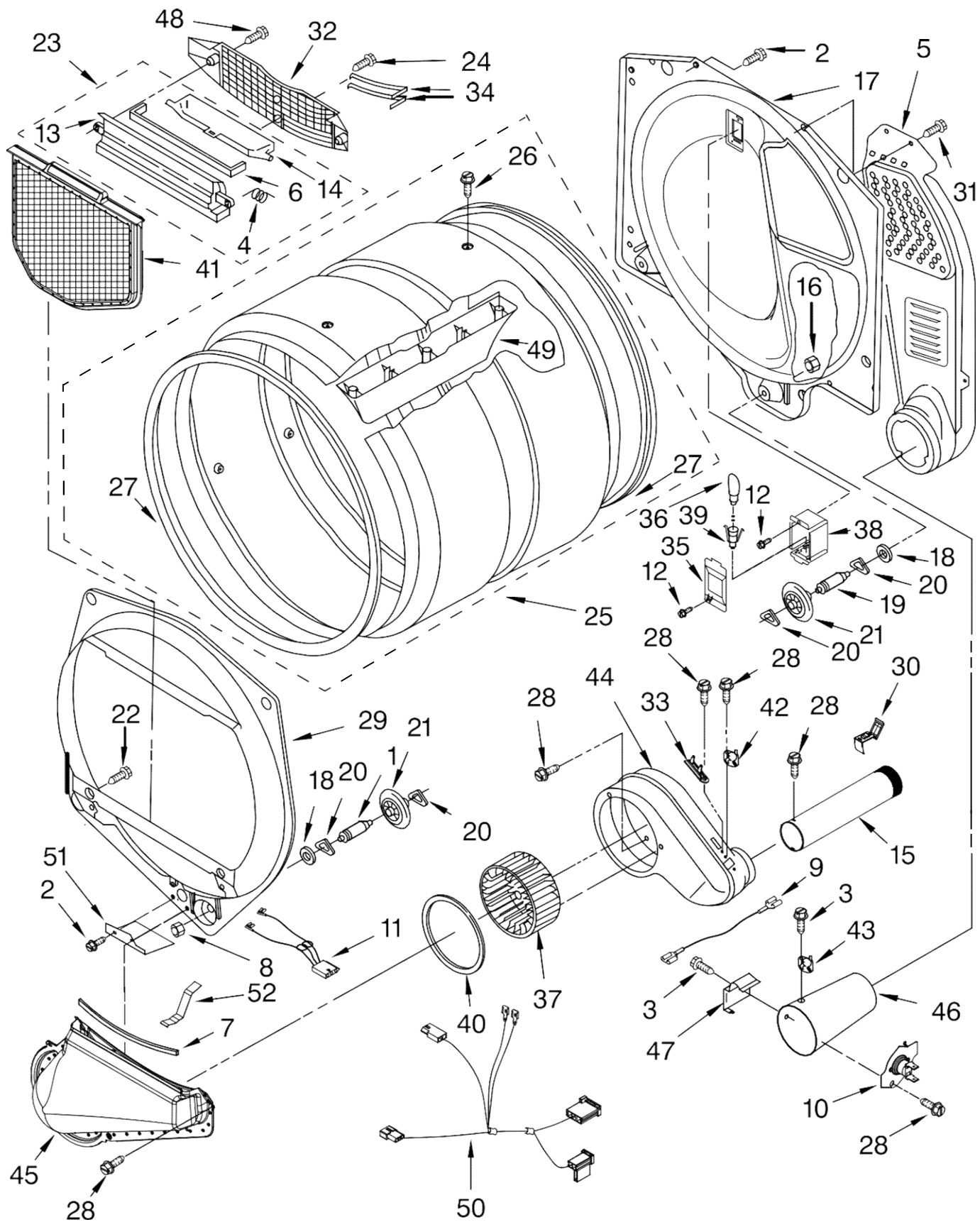


FOR ORDERING INFORMATION REFER TO PARTS PRICE LIST



Secadora Maytag 7MMGDx550XW0

Illus. No.	Part No.	DESCRIPTION	Illus. No.	Part No.	DESCRIPTION	Illus. No.	Part No.	DESCRIPTION
1	697773	Screw, 6-20 x 7/8	20	W10121334	Washer	39	3388674	Idler Bracket
2	8529757	Bracket, Burner	21	3389247	Hinge & Pin Assembly	40	3357011	Screw, 10-16 x 1/2
3	3390647	Screw, 8-18 x 5/16	22	3390902	Clip, Door Hinge	41	3406107	Door Switch Assembly
4	3394331	Plate, Cover	23	W10191265	Plug-Hinge Screw	42	697215	Toe, Panel (Includes Item. 36)
5	W10246525	Switch, Broken Belt	24	3393657	Restrainer, Belt	43	3387242	Seal, Front Panel
6	344020	Cord, Power	25	49026	4" - 90°Elbow	44	3388229	Retainer, Toe Panel
7	8310656	Cabinet	26	W10284182	Handle, Door	45	3392563	Door, Inner
8	3392100	Foot, Dryer	27	W10281085	Motor, Assembly	46	342055	Screw, 8-18 x 3/8
	279810	Foot - Optional (Extended Length Package Of 2) (Not Included)	28	8563750	Exhaust Pipe (Short)	47	W10279721	Door, Outer
9	660658	Clamp, Motor (2)	29	3389729	Pulley, Motor	48	W10115218	Front Panel
10	3387374	Spring, Idler	30	W10112954	Belt, Drive	49	696144	Strike, Door
11	3389420	Retainer, Idler	31	693995	Screw, 8-18 x 3/8	50	3389249	Nut, Inner
12	49252	Plug, Multivent	32	W10242878	Bracket, Motor	51	W10336128	Seal, Cabinet
13	3388672	Pulley Assembly	33	8563749	Exhaust Pipe (Long)	52	W10312811	Foam Seal
14	343641	Screw, 10-16 x 1/2	34	W10294344	Spacer, Handle Mount	53	W10192860	Screw, 6-19 x 1/2
15	8533971	Screw, Ground	35	694091	Screw, 8-18 x 5/16	<hr/> Optional Parts Not Included <hr/>		
16	W10236068	Bracket, Cabinet	36	693152	Bumper	<hr/> Dryer Exhaust Kit <hr/> (For Side & Bottom Venting) <hr/>		
17	8563747	Exhaust Pipe & Bracket	37	3390735	Door Seal	54 W10331132 White		
18	690997	Tri Ring	38	3392538	Catch, Door Assembly			
19	W10291934	Retainer, Toe Kick (Lower)						



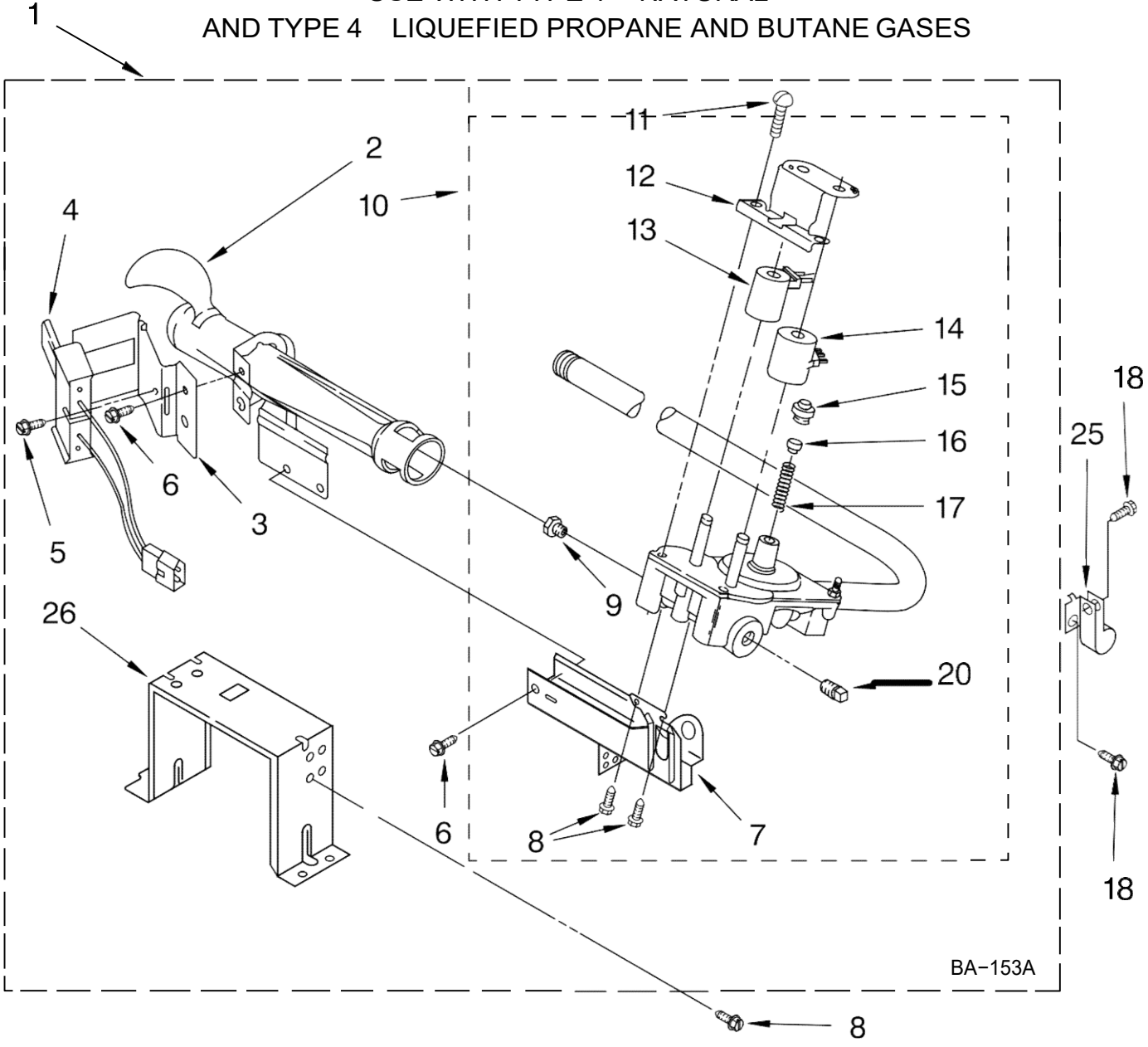
FOR ORDERING INFORMATION REFER TO PARTS PRICE LIST



Secadora Maytag 7MMGDx550XW0

Illus. No.	Part No.	DESCRIPTION	Illus. No.	Part No.	DESCRIPTION	Illus. No.	Part No.	DESCRIPTION
1	W10359271	Shaft, Drum Roller (R.H.) Thread	16	W10001120	Nut, 3/8-16 (L.H.)	34	3387223	Electrode, Sensor
2	3390647	Screw, 8-18 x 1/2	17	8520836	Bulkhead, Rear	35	3402841	Lens, Drum Light
3	90767	Screw, 8-18 x 3/8	18	3387459	Washer, Support	36	3406124	Bulb, Light
4	3394986	Spring, Lint Screen Door	19	W10359272	Shaft, Drum Roller (L.H.) Thread	37	697772	Wheel, Blower
5	W10293765	Air Duct Assembly	20	690997	Ring, Tri	38	8578825	Bracket, Light
6	697813	Seal, Outlet Housing	21	W10314171	Roller, Support	39	W10214261	Socket, Assembly
7	697814	Seal, Drum Front	22	342055	Screw, 8-18 x 1/2	40	697770	Seal, Cover Plate
8	3934666	Nut, 3/8 x 16 (R.H.)	23	W10153423	Outlet Housing Assembly	41	W10049370	Screen, Lint
9	3401707	Jumper, TCO Hi-Limit	24	359625	Screw, 8-18 x 1/2	42	8577274	Thermister
10	8573713	Thermal, Cut-Off	25	8318215	Complete Drum Assembly	43	3391912	Thermostat, High-Limit 255°F
11	W10298258	Harness, Sensor	26	W10219342	Screw, 11-16 x 3/4	44	8544362	Housing, Blower
12	487909	Screw, 8-15 x 1/2	27	W10166807	Seal, Drum	45	8066168	Lint Duct Assembly
13	W10153414	Housing, Outlet	28	8533971	Screw	46	8573824	Funnel, Burner
14	W10153413	Door, Lint Screen	29	697557	Bulkhead, Front	47	338906	Sensor, Radiant
15	8066224	Exhaust Pipe	30	8572105	Clip, Exhaust	48	3387230	Screw, 10-16 x 13/16
			31	489463	Screw	49	697693	Baffle, Drum
			32	W10153412	Grille, Outlet	50	W10305870	Harness, Gas
			33	3392519	Thermal Fuse	51	W10128629	Shield, Blower
						52	8066208	Clip, Spring

USE WITH TYPE 1 - NATURAL
 AND TYPE 4 LIQUEFIED PROPANE AND BUTANE GASES



FOR ORDERING INFORMATION REFER TO PARTS PRICE LIST



Secadora Maytag 7MMGDX550XW0

USE WITH TYPE 1 – NATURAL
AND TYPE 4 LIQUEFIED PROPANE AND BUTANE GASES

Illus. No.	Part No.	DESCRIPTION
1	8576353	Burner Assembly 60 Hz. (Type 1) (White Rodgers)
2	688617	Tube, Burner
3	694298	Bracket, Ignitor
4	686590	Ignitor
5	3393909	Screw & Washer (8-32 x 7/8)
6	343641	Screw, 10-16 x 1/2
7	3389871	Base, Burner
8	3387057	Screw, 8-18 x 3/8
9		Orifice, Burner Type 1 15418 Type 4 (Butane) 15422 Type 4 (Propane) 234867
10	W10118347	Valve, Gas 60 Hz. (Complete) (Includes Pipe & Illus. #7).
11	694421	Screw, 8-32 x 1/2 (2)
12	694538	Bracket, Coil
13	694540	Coil, 60 Hz. (2 Terminal) (Main)
14	694539	Coil, 60 Hz. (Split) (3 Terminal) (Pilot Position)
15	694424	Leak, Limiter
16	694423	Screw, Regulator Adjustment
17	694422	Spring, Regulator
18	3390647	Screw, 8-18 x 1/2
20	239822	Plug, Pipe
25	3387561	Clamp, Pipe
26	3389889	Bracket, Support

Following Parts Not Illustrated

8576846 Conversion Kit
(Type 1)
to Type (4) LPG).

BA-153A

FOR ORDERING INFORMATION REFER TO PARTS PRICE LIST



Secadora Maytag 7MMGDX550XW0

Illus. No.	Part No.	DESCRIPTION
-------------------	-----------------	--------------------

ACCESSORY PARTS

	80047	Kit, Dryer Repair
	8522199	Kit, Dryer Vent Testing
	346764	Kit, Hold-Down (Gas Dryer Mobile Home Installation)
	W10071550A	Dry Rack

PAINT, TOUCH-UP (1/2oz.)

	72017	White
--	-------	-------

PAINT, PRESSURIZED SPRAY (12 oz.)

	350930	White
	350938	Primer, Gray

PAINT, BULK (1 qt.)

	799344	White (Uncut)
--	--------	---------------

FOR ORDERING INFORMATION REFER TO PARTS PRICE LIST