

## EXPLOSIONADO DE PARTES



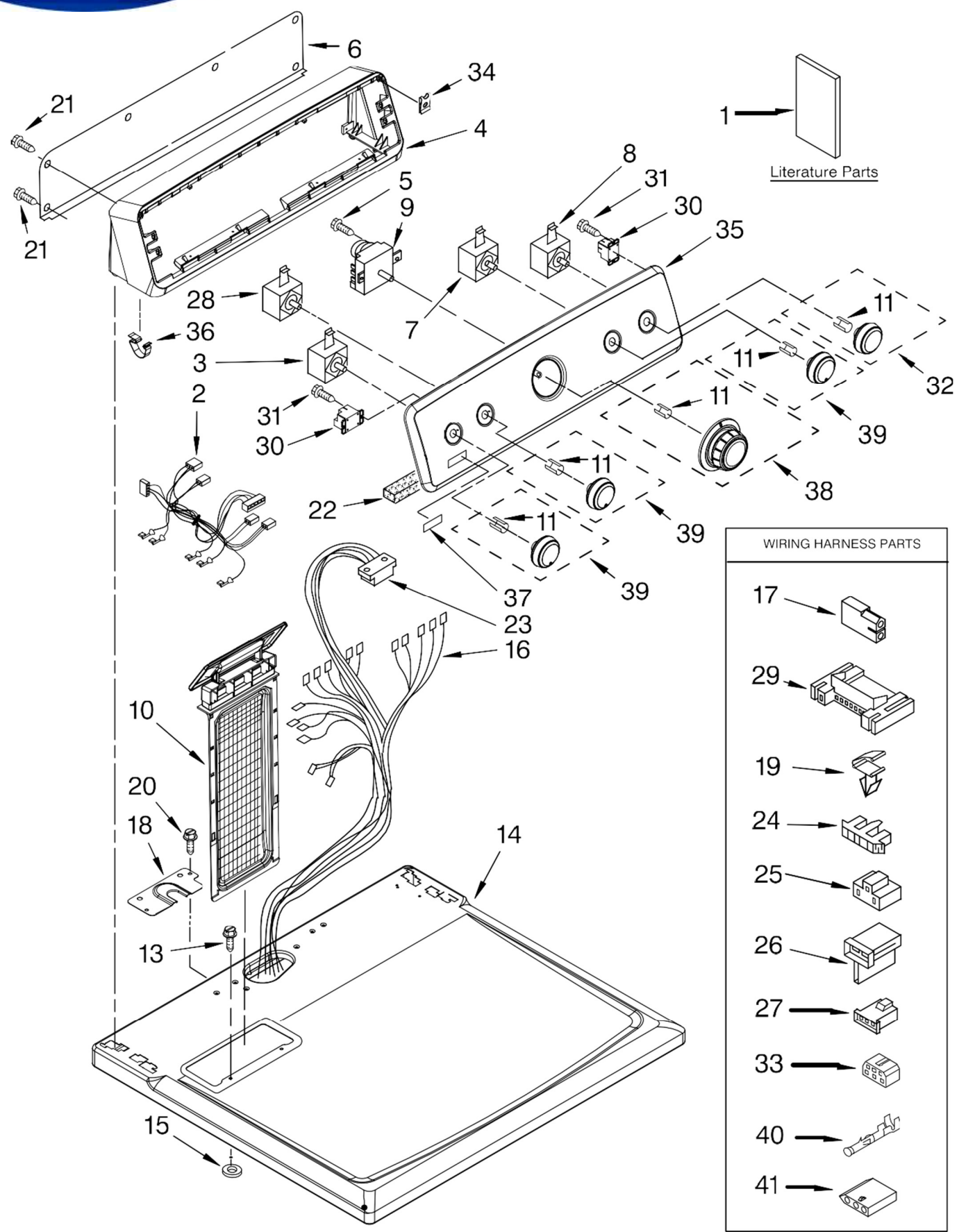
## SECADORAS DE IMPORTACIÓN

**Modelo:**

**7MMGE7973TW0**



# SECADORA 7MMGE7973TW0





# SECADORA 7MMGE7973TW0

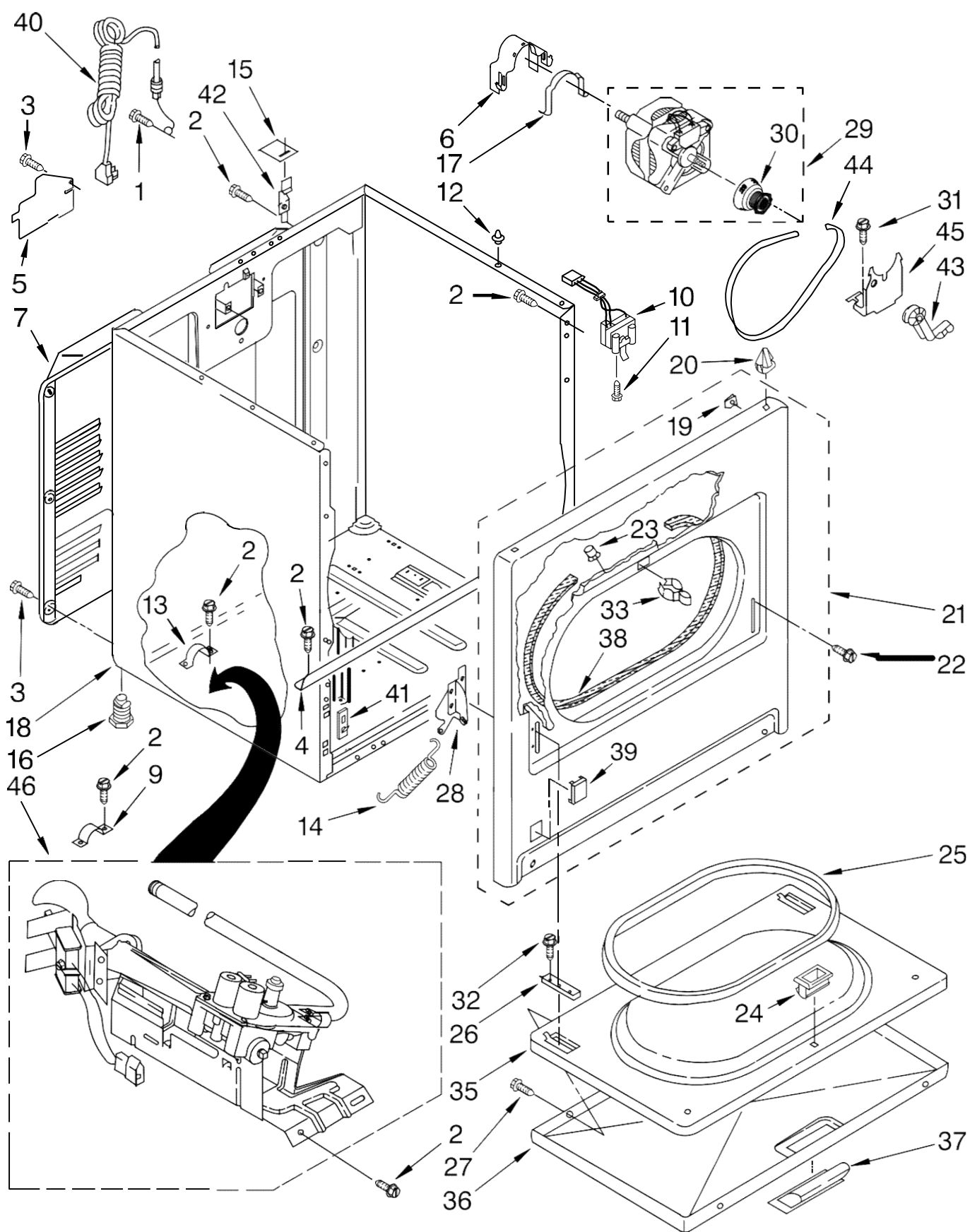
Illus. No.	Part No.	DESCRIPTION
1		Literature Parts W10118202 Tech, Sheet W10118198 Use & Care Guide W10118201 Dryer, Cycle Sheet
2	W10111088	Harness, Center Control
3	3405151	Switch, End of Cycle
4	8579716	Shell, Console (Includes Item: 36)
5	8533971	Screw, 8-18 x 5/8
6	W10112576	Panel, Rear Console
7	8299970	Switch, Temperature
8	3977456	Switch, Push-To-Start
9	8299771	Timer Assembly 60 HZ.

Illus. No.	Part No.	DESCRIPTION
10		Screen, Lint 8565972 White
11	8536939	Clip, Spring
13	688983	Screw, 8-18 x 5/8
14	8579698	Top
15	237446	Washer (Top/chute)
16	W10110878	Harness, Wiring
17	717252	Plug, 2-way
18	8565981	Bracket-Harness
19	3394427	Clip-Harness
20	337686	Screw, 8-18 x 3/4
21	693995	Screw, Hex
22	W10112267	Foam-Seal Control Bracket Washer Head
23	3391885	Connector, Edge
24	3397269	Connector-Timer
25	3401144	Connector, (PTS Relay)
26	3403499	Connector, 2-Position (Gas Valve)

Illus. No.	Part No.	DESCRIPTION
27	3403498	Connector, 3-Position (Gas Valve)
28	3405152	Switch, Wrinkle Gaurd
29	3395683	Connector, Motor
30	3405281	Power Relay
31	3388228	Screw, 6-20 x 1/32
32	W10112574	Knob, Push-To-Start
33	3347243	Connector 6-Circuit
34	W10123148	Nut, U-Type
35	W10116406	Panel, Control (Includes: Item: & 37)
36	8312709	Clip-Console
37	W10112569	Badge Assembly
38	W10112573	Timer Knob Assembly
39	W10112572	Knob, Control (3)
40	94614	Terminal, Female
41	3936144	Connector



# SECADORA 7MMGE7973TW0





# SECADORA 7MMGE7973TW0

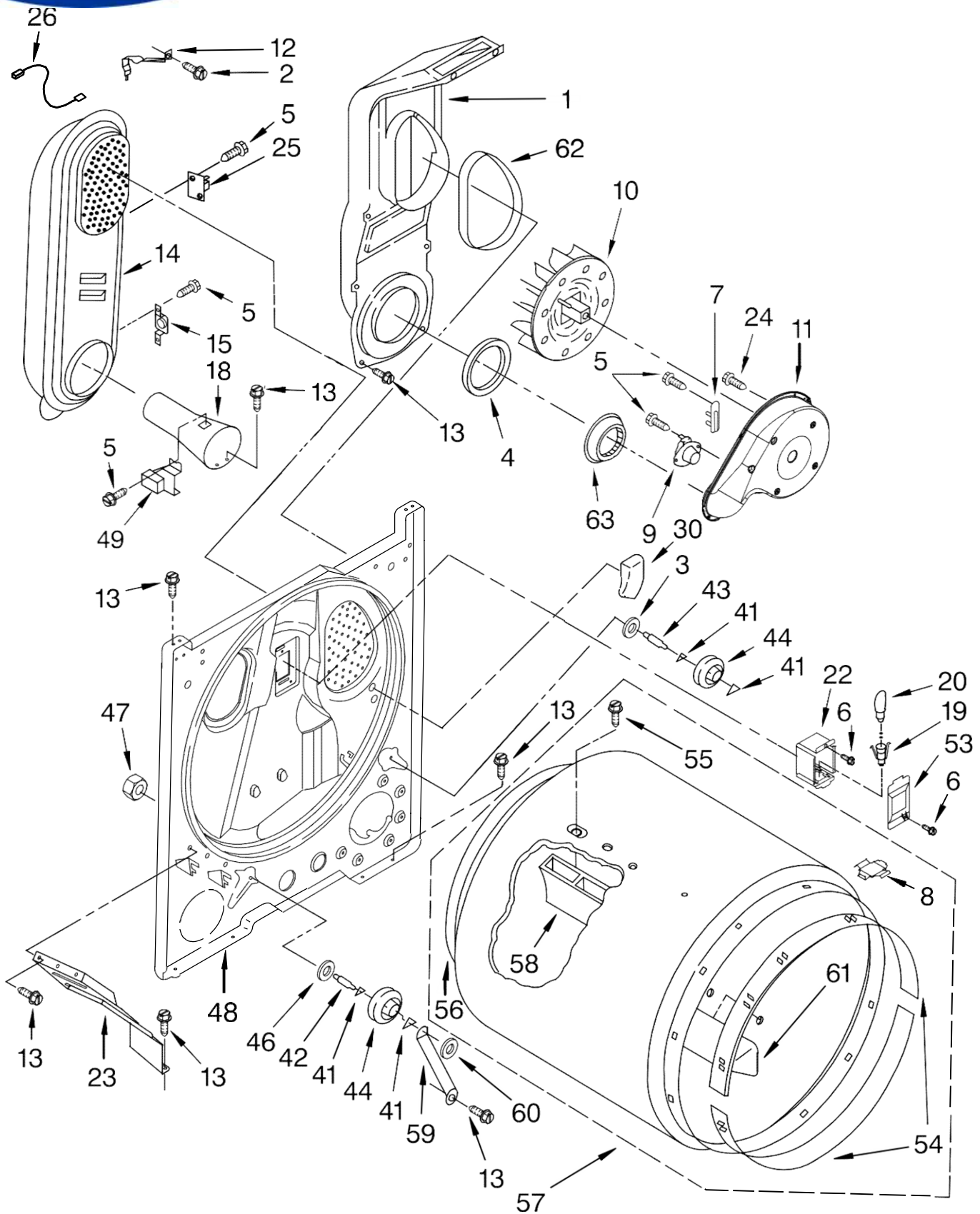
Illus. No.	Part No.	DESCRIPTION
1	697776	Screw, 10-32 x 5/8 (External Ground)
2	343641	Screw, 10-16 x 1/2
3	693995	Screw, Hex Head
4	8541400	Bracket, Cabinet
5	3396795	Cover, Block
6	3404162	Clamp, Motor (W/Shield)
7	3396805	Panel, Rear
9	3980175	Clamp-Elbow
10	3406107	Door Switch Assembly
11	697773	Screw, 6-20 x 7/8
12	98669	Locator, Top
13	341029	Clamp-Pipe
14	W10041960	Spring Door (2)
15	18849	Pad, Top Hinge
16	3392100	Foot, Dryer
	279810	Foot-Optional (Extended Length) (Package of 2) (Not Included.)

Illus. No.	Part No.	DESCRIPTION
17	660658	Clamp, Motor
18	8530603	Cabinet (Includes Illus. 4)
19	98234	Clip, Ground (2)
20	18776	Lock, Front Top (2)
21	3395197	Panel Front
22	342043	Screw, 10-32 x 3/8
23	685203	Clip, Felt Pad (2)
24	3389441	Catch, Door Assembly
25	3390731	Seal, Door
26	337189	Hinge-Clip (2)
27	694091	Screw, 8-18 x 3/8
28		Hinge, Assembly
	8066056	Hinge, R.H.
	8066057	Hinge, L.H.
29	8066206	Motor Assembly 60 HZ.
30	8066184	Pulley 60 Hz.
31	3400500	Bolt, 5/16-18 x 3/4

Illus. No.	Part No.	DESCRIPTION
32	3357011	Screw, 10-16 x 1/2
33	696144	Strike, Panel
35	695737	Door, Rear
36	3393549	Door, Front
37	W10116360	Handle, Door
38	3406129	Seal & Bearing Assembly
39	3394975	Plug, Front Panel
40	344020	Cord, Power
41	3394083	Clip, Front Panel
42	8066217	Hinge, Top (2)
43	691366	Idler & Pulley Assembly
44	8066065	Belt, Drive
45	348780	Base, Motor
46	8318272	Burner Assembly, 60 Hz. (See Pages 7 & 8 For Further Burner Breakdown)



# SECADORA 7MMGE7973TW0

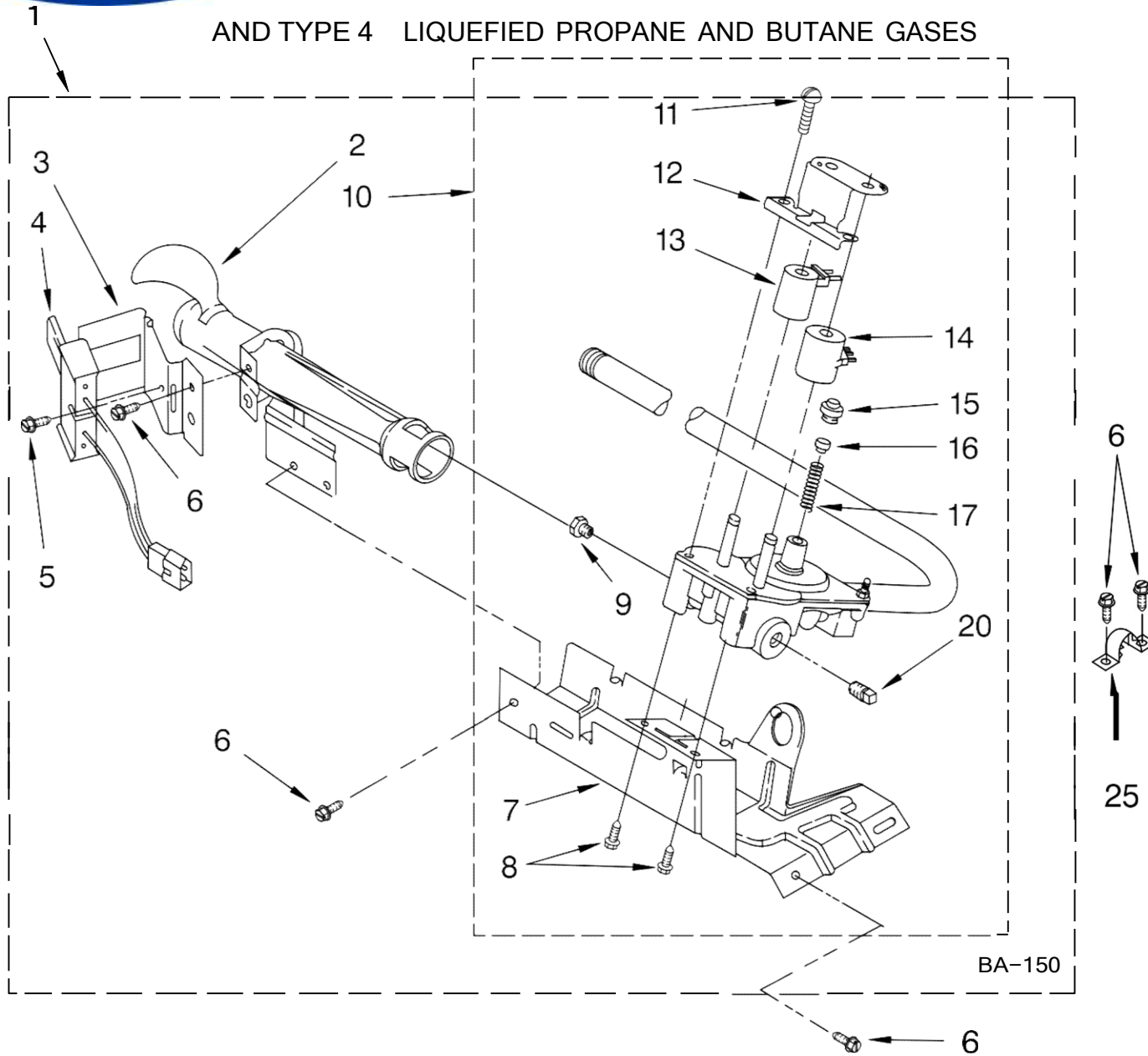


Illus. No.	Part No.	DESCRIPTION	Illus. No.	Part No.	DESCRIPTION	Illus. No.	Part No.	DESCRIPTION
1	348368	Lint Chute Assembly	15	3403140	Thermostat, 205 F (96°C)	43	3399507	Shaft, R.H.
2	489463	Screw, 8-18 x 5/8	18	8066049	Funnel, Burner	44	3397590	Roller, Support
3	3388703	Washer-Support	19	3403634	Socket Assembly	46	348197	Washer, Support
4	347139	Seal, Lint Chute	20	3406126	Bulb	47	3359452	Nut, 3/8-16
5	90767	Screw, 8-18 x 3/8	22	3977373	Bracket, Drum Light	48	3403414	Bulkhead
6	487909	Screw, 8-15 x 1/2	23	3406022	Bracket, Bulkhead	49	338906	Sensor, Radiant
7	3390719	Thermal-Fuse	24	3390647	Screw, 8-18 x 1/2	53	3402841	Lens, Drum Light
8	8066086	Drum Hole Plug	25	280010	Kit, Thermal Cut-Off (Includes Illus. 15)	54	692526	Ring, Bearing
9	8577274	Thermostat, Internal-Bias	26	3401707	Wire, Jumper	55	W10109200	Screw, 11-16 x 3/4
10	694089	Wheel, Blower	30	3976479	Pad, Sensor	56	3406130	Seal, Rear Drum
11	8577231	Housing, Blower	41	690997	Ring, Tri	57	695587	Drum Assembly
12	3398161	Clip	42	3399506	Shaft, L.H.	58	692490	Baffle, Drum (2)
13	343641	Screw, 10-16 x 1/2				59	3976434	Bracket, Support
14	8530285	Box, Heater				60	90296	Clip
						61	3403636	Baffle, Drum (1)
						62	339956	Seal
						63	696302	Shield, Exhaust



# SECADORA 7MMGE7973TW0

AND TYPE 4 LIQUEFIED PROPANE AND BUTANE GASES







# SECADORA 7MMGE7973TW0

USE WITH TYPE 1 –  
NATURAL  
AND TYPE 4 LIQUEFIED PROPANE AND BUTANE GASES

Illus. No.	Part No.	DESCRIPTION
1	8318272	Burner Assembly 60 Hz. (Type 1) (White Rodgers)
2	688617	Tube, Burner
3	694298	Bracket, Ignitor
4	686590	Ignitor
5	3393909	Screw & Washer (8–32 x 5/8)
6	343641	Screw, 10–16 x 1/2
7	693986	Base, Burner
8	3387057	Screw, 8–18 x 3/8
9		Orifice, Burner 234826 Type 1 229742 Type 4 (Butane) 234868 Type 4 (Propane)
10	8318277	Valve, 60 Hz. (Includes Pipe & Illus. #7)
11	694421	Screw, 8–32 x 1/2 (2)
12	694538	Bracket, Coil
13	694540	Coil, 60 Hz. (2 Terminal) (Main)
14	694539	Coil, 60 Hz. (Split) (3 Terminal) (Pilot Position)
15	694424	Leak Limiter
16	694423	Screw, Regulator Adjustment
17	694422	Spring, Regulator
20	239822	Plug, Pipe
25	341029	Clamp, Pipe

---

#### Following Parts Not Illustrated

---

694572 Conversion Kit  
(Type 1)  
to Type (4) L.P.G.