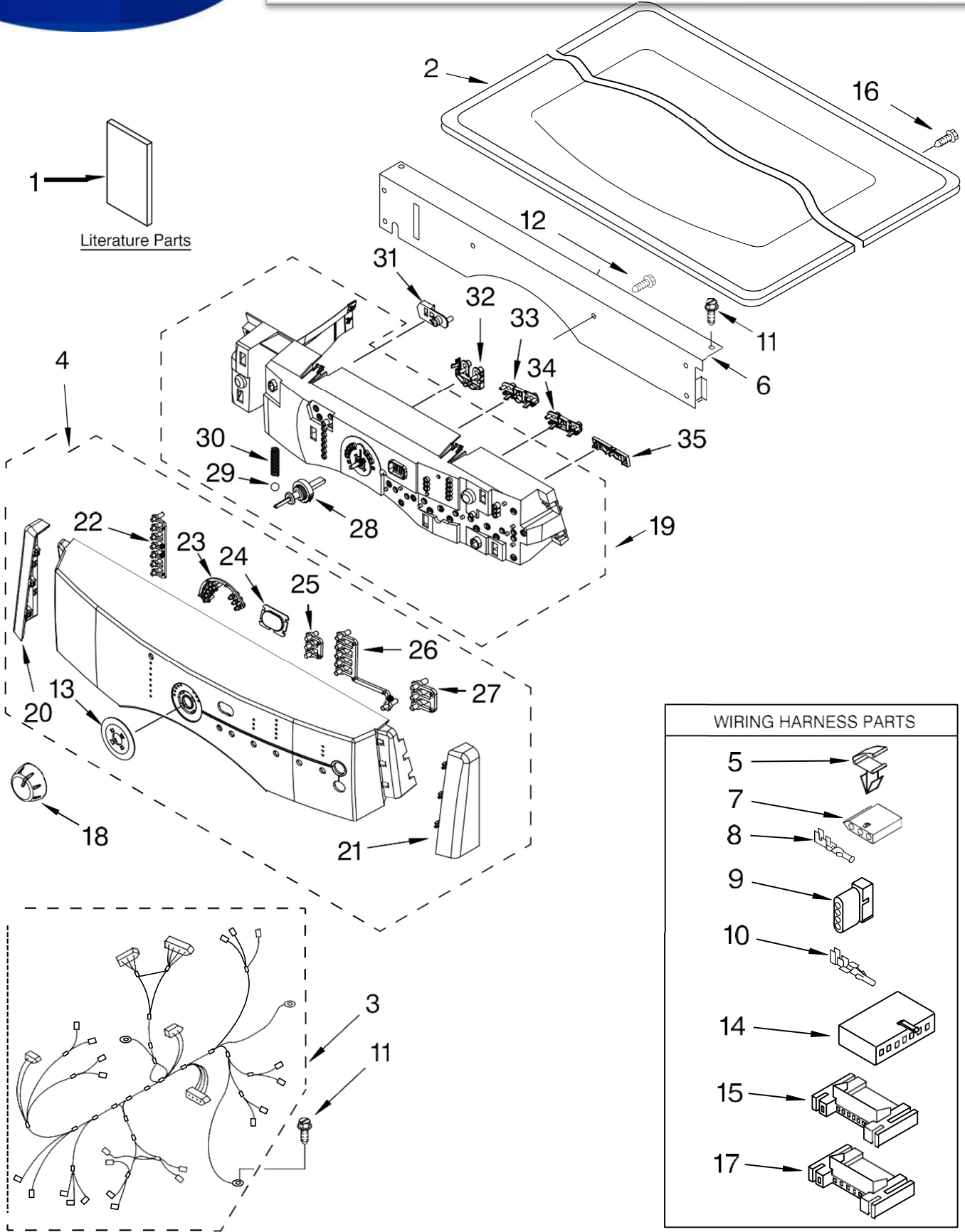




SECADORA 7MMGE9959TW0



Literature Parts

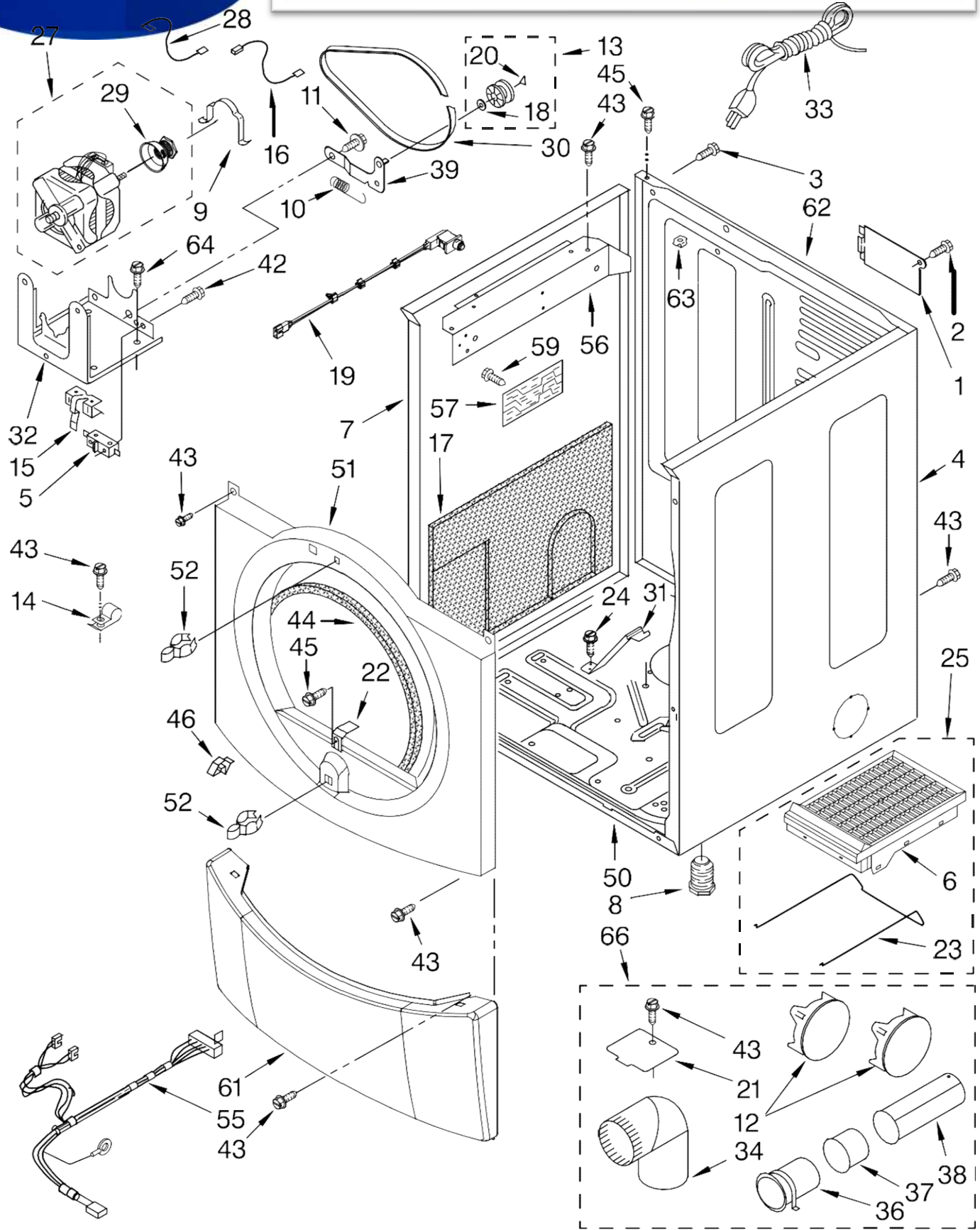
WIRING HARNESS PARTS

- 5 → [connector]
- 7 → [connector]
- 8 → [connector]
- 9 → [connector]
- 10 → [connector]
- 14 → [connector]
- 15 → [connector]
- 17 → [connector]

Illus. No.	Part No.	DESCRIPTION	Illus. No.	Part No.	DESCRIPTION	Illus. No.	Part No.	DESCRIPTION
1		Literature Parts	14	3936150	Connector, 7-Circuit	28	8542717	Shaft, Cycle Selector
	W10115138	Use & Care Guide	15	3395683	Connector, (Motor)	29	8542716	Bearing, Knob
	W10115139	Tech Sheet	16	8281225	Screw, 8-18 x 1/2	30	8542715	Spring, Knob
	W10115137	Guide, Quick Start	17	2203186	Connector, 5-Circuit	31		Pushbutton, (Control)
2		Top	18	8580139	Knob, Assembly		8562606	Silver (For White Model)
	8519251	White	19	8558455	User Interface (Includes Illus. 28, 29 & 30)		8580140	Silver (For Black Model)
	8579997	Black	20		EndCap (LH)	32		Pushbutton, (Drytime)
3	8299950	Harness, Main		8562598	White		W10100390	White
4		Panel, Console (Includes Bezel, Light Indicators & Endcaps)		8580135	Black		8579989	Silver
	W10098940	White	21		EndCap (RH)	33		Pushbutton, (Dryness/Temp)
	W10098960	Black		8562597	White		8562604	White
5	3394427	Clip, Harness		8580134	Black		8579991	Silver
6	8519271	Bracket, Console	22	8542682	Light Indicator (Status)	34		Pushbutton, (XCare/EOC)
7	353424	Connector, Sensor	23	8542683	Light Indicator (Cycle)		8562605	White
8	94614	Terminal	24	8542691	Lens, Display		8579993	Silver
9	3936144	Plug, Terminal	25	8542684	Light Indicator (Dryness Level)	35		Pushbutton, (Start/Cancel)
10	94613	Terminal	26	8542685	Light Indicator (Temperature)		8558454	Silver (For White Model)
11	3390647	Screw, 8-18 x 1/2	27	8542686	Light Indicator (XCare/EOC)		8579994	Silver (For Black Model)
12	488886	Screw, 8-18 x 1/2						
13	8542690	Bezel, Cycle						



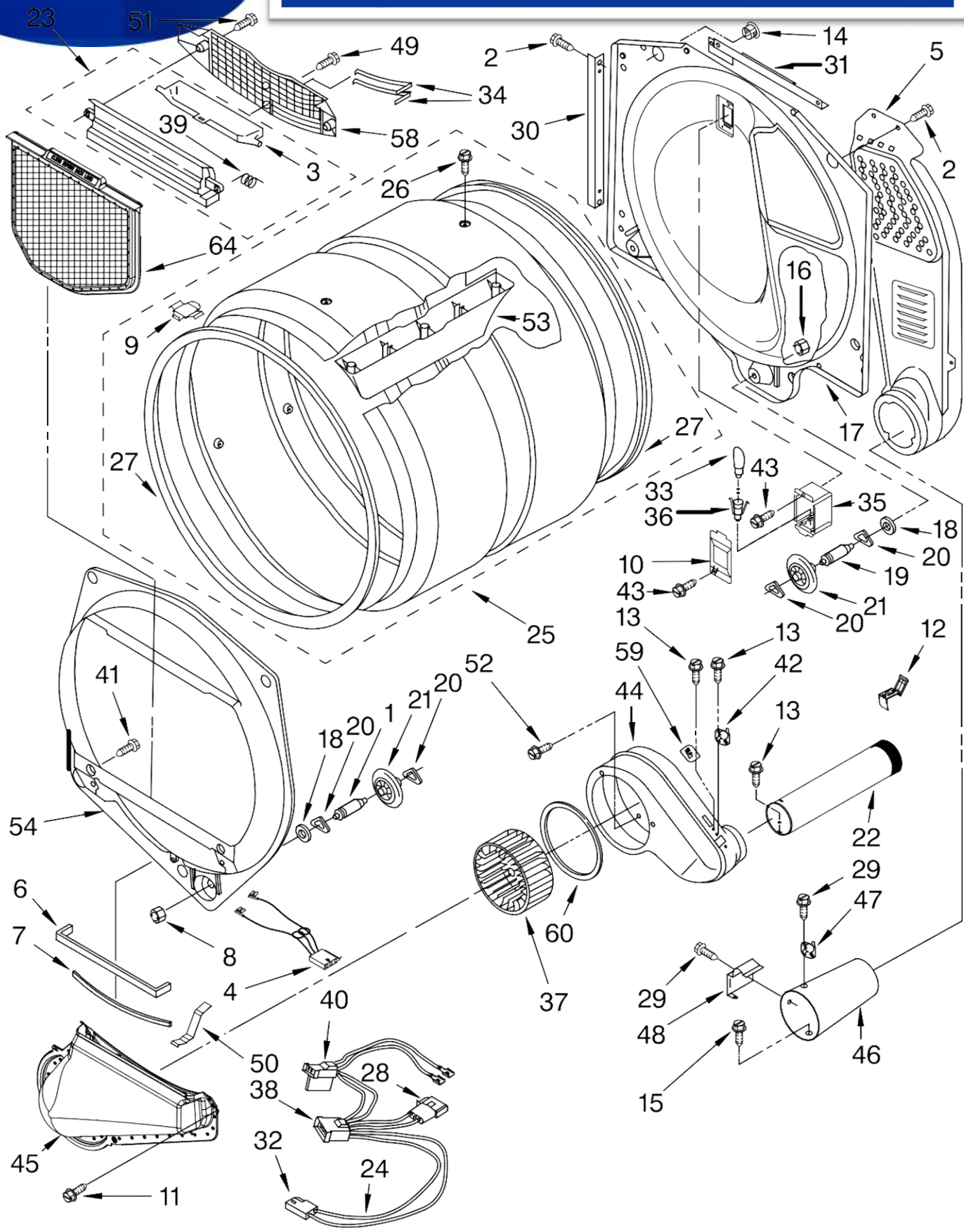
SECADORA 7MMGE9959TW0



Illus. No.	Part No.	DESCRIPTION	Illus. No.	Part No.	DESCRIPTION	Illus. No.	Part No.	DESCRIPTION
1	8317340	Cover, Terminal Block	16	3394081	Wire, Belt Switch	44	3387242	Seal, Front Panel
2	3390814	Screw, 8-18 x 3/8	17	8564132	Sound Panel	45	3393008	Screw, 10-16 x 1/2
3	697776	Screw, 10-32 x 5/8 (Ground)	18	233520	Washer, Thrust	46	8519459	Clip, Toe Panel
4		Panel, Side (R.H.)	19	8574875	Assembly, Door Switch	50	8519207	Base, Cabinet
	8578450	White	20	690997	Tri Ring	51		Front Panel (Includes Illus. 44)
	8579971	Black	21	8066115	Cover-Plate		8565907	White
5	3394881	Switch, Broken Belt	22	8529053	Ramp, Door		8579974	Black
6	8521959	Dry Rack (Top)	23	8521961	Dry Rack Support	52	696144	Strike, Door (2)
7		Panel, Side (L.H.)	24	693995	Screw, 8-18 x 3/8	55	8299929	Harness, Digital Interface
	8578437	White	25	8521957	Dry Rack Assembly	56	8519273	Bracket, Control
	8579970	Black	27	8538263	Motor Assembly 60 HZ.	57	8546219	Control Board
8	3392100	Foot, Dryer	28	3398948	Wire, Jumper (Broken Belt Switch)	59	3400826	Screw, 8-18 x 3/4
	279810	Foot - Optional (Extended Length Package Of 2) (Not Included)	29	8578220	Pulley 60 HZ.	61		Toe, Panel
9	660658	Clamp, Motor (2)	30	3387610	Belt, Drive		W10116271	White
10	3387374	Spring, Idler	31	8529757	Bracket, Burner		W10116273	Black
11	3389420	Retainer, Idler	32	3387118	Bracket, Motor	62	8519219	Panel, Rear
12		Plug, Multivent	33	3401401	Cord, Power	63	692400	Nut, Push-In
	697750	White	34	49026	4" - 90 Elbow	64	343641	Screw, 10-16 x 1/2
	8557570	Meteorite	36	8563747	Exhaust Pipe & Bracket	<hr/> Optional Parts Not Included <hr/>		
	3388309	Black	37	8563750	Exhaust Pipe (Short)	<hr/> Dryer Exhaust Kit <hr/> (For Side & Bottom Venting) <hr/>		
13	3388672	Pulley Assembly	38	8563749	Exhaust Pipe (Long)			
14	3978776	Bracket, Gas Pipe	39	3388674	Idler Bracket	66	279818	White
15	8066120	Lever, Snap Switch	42	98129	Screw, 6-20 x 1 1/16		279820	Black
			43	3390647	Screw, 8-18 x 1/2			

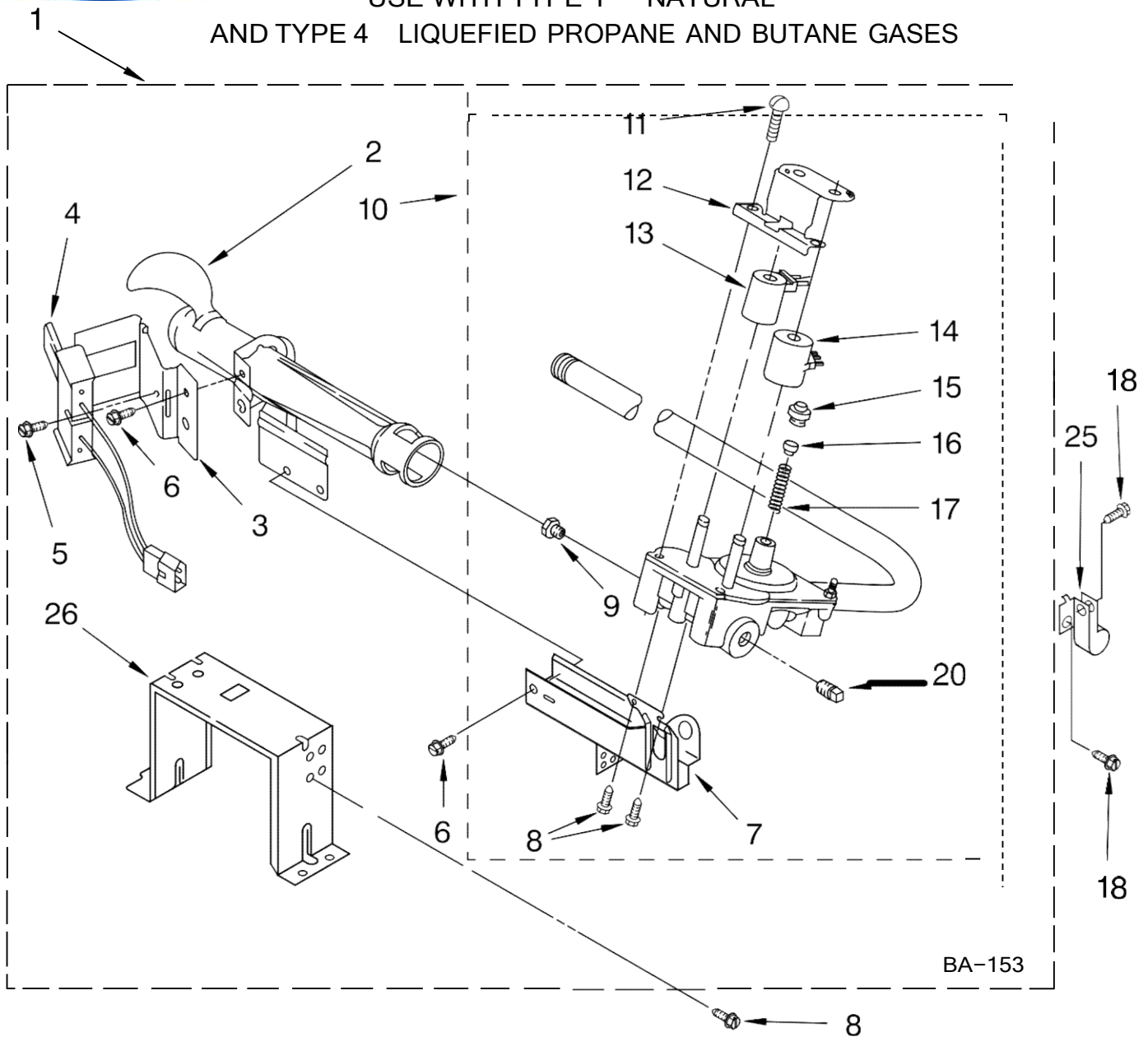


SECADORA 7MMGE9959TW0



Illus. No.	Part No.	DESCRIPTION	Illus. No.	Part No.	DESCRIPTION	Illus. No.	Part No.	DESCRIPTION
1	8575324	Shaft, R.H. Thread	19	8575325	Shaft, L.H. Thread	39	3394986	Spring, Lint Screen Door
2	3390647	Screw, 8-18 x 1/2	20	690997	Ring, Tri	40	3403499	Connector, 2-Position
3	3394984	Door, Lint Screen	21	8536973	Roller, Support	41	695240	Screw, 8-18 x 1/2
4	3406653	Harness, Sensor	22	8563745	Exhaust Pipe	42	8577274	Thermistor
5	3394346	Air Duct Assembly	23	3394985	Housing, Outlet	43	487909	Screw, 8-15 x 1/2
6	697813	Seal, Outlet Housing	24	3401850	Harness, Gas	44	8544362	Housing, Blower
7	697814	Seal, Drum Front & 3934666 Nut, 3/8 x 16(R.H.)	25	W10113138	Complete Drum Assembly	45	8066168	Lint Duct Assembly
9	8066086	Drum Hole Plug	26	W10109200	Screw, 11-16 x 3/4	46	8066047	Funnel, Burner
10	3402841	Lens, Drum Light	27	697694	Seal, Drum	47	8573028	Thermostat, High-Limit 203F (96°C)
11	489463	Screw, 8-18 x 5/8	28	353424	Plug, 3-Way	48	338906	Sensor, Radiant
12	8572105	Clip, Exhaust Pipe	29	90767	Screw, 8-18 x 3/8	49	3357011	Screw, 10-16 x 1/2
13	8533971	Screw, 8-18 x 5/16	30	8519221	Channel Bracket, Rear Bulkhead (2)	50	8066208	Clip-Spring
14	8529007	Plug, Rear Bulkhead	31	8571651	Bracket, Upper Rear Bulkhead	51	3387230	Screw, 10-16 x 1
15	693995	Screw, 8-18 x 3/8	32	717252	Plug, 2-Way	52	359625	Screw, 8-18 x 1/2
16	W10001120	Nut, 3/8-16 (L.H.)	33	3406124	Bulb, Light	53	W10113136	Baffle, Drum
17	8520836	Bulkhead, Rear	34	3387223	Electrode, Sensor	54	8519245	Bulkhead, Front
18	3387459	Washer, Support	35	3977373	Bracket, Drum Light	58	8299979	Grill, Outlet
			36	3403634	Socket Assembly	59	3392519	Thermal Fuse
			37	697772	Wheel, Blower	60	697770	Seal, Cover Plate
			38	3403498	Connector, 3-Position	64	W10049370	Lint, Screen

USE WITH TYPE 1 - NATURAL
AND TYPE 4 LIQUEFIED PROPANE AND BUTANE GASES

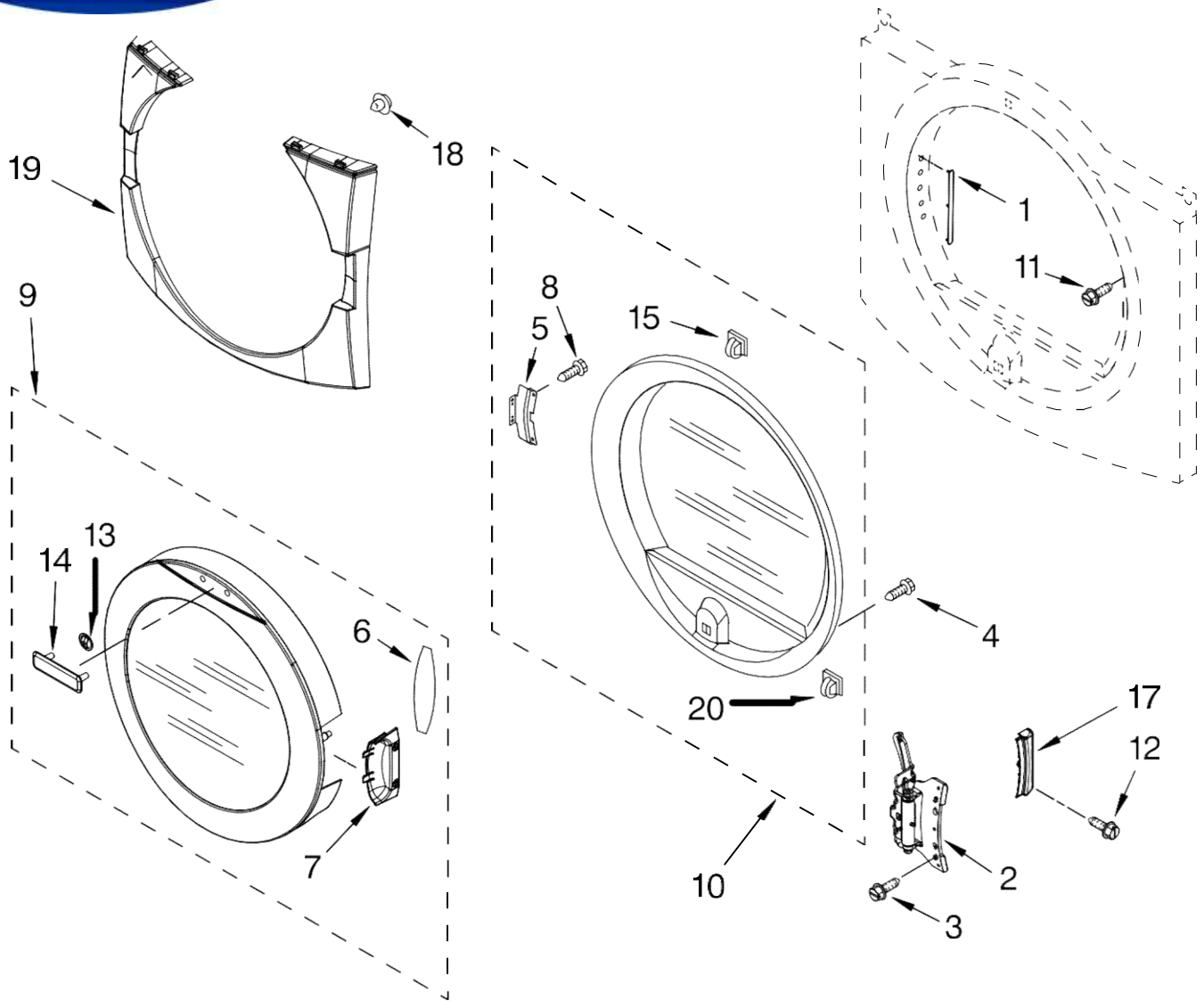


USE WITH TYPE 1 – NATURAL
AND TYPE 4 LIQUEFIED PROPANE AND BUTANE GASES

Illus. No.	Part No.	DESCRIPTION
1	8576353	Burner Assembly 60 Hz. (Type 1) (White Rodgers)
2	688617	Tube, Burner
3	694298	Bracket, Ignitor
4	686590	Ignitor
5	3393909	Screw & Washer (8–32 x 7/8)
6	343641	Screw, 10–16 x 1/2
7	3389871	Base, Burner
8	3387057	Screw, 8–18 x 3/8
9		Orifice, Burner
	15418	Type 1
	15422	Type 4 (Butane)
	234867	Type 4 (Propane)
10	8281914	Valve, Gas 60 Hz. (Complete) (Includes Pipe & Illus. #7).
11	694421	Screw, 8–32 x 1/2 (2)
12	694538	Bracket, Coil
13	694540	Coil, 60 Hz. (2 Terminal) (Main)
14	694539	Coil, 60 Hz. (Split) (3 Terminal) (Pilot Position)
15	694424	Leak, Limiter
16	694423	Screw, Regulator Adjustment
17	694422	Spring, Regulator
18	3390647	Screw, 8–18 x 1/2
20	239822	Plug, Pipe
25	3387561	Clamp, Pipe
26	3389889	Bracket, Support

Following Parts Not Illustrated

8576846 Conversion Kit
(Type 1)
to Type (4) LPG).



Illus. No.	Part No.	DESCRIPTION
1	8563855	Plug, Strip
2	W10111141	Door Hinge Assembly
3	W10017850	Screw, 10-24 x 3/64
4	9742177	Screw, 8-18 x 5/8
5	8529539	Bracket, Handle
6	8541011	Pad, Door Handle
7	8557268	White Handle, Door
	8580137	Black
8	3393008	Screw, 10-16 x 1/2

Illus. No.	Part No.	DESCRIPTION
9		Door & Window Assembly (Includes Illus. 6, 7, 13 & 14)
	W10098830	White
	W10098840	Black
10	8557501	Inner Door Assembly (Includes Illus. 5, 8, 15 & 20)
11	355515	Screw, 8-18 x 11/16
12	3400859	Screw, 8-18 x 7/32

Illus. No.	Part No.	DESCRIPTION
13	8558182	Nut, Push-On (2)
14	W10116209	Medallion
15	690081	Catch, Door Assembly (1)
17		Cover-Hinge, Rotating
	8566486	White
	8579980	Black
18	8547091	Clip, Trim Panel
19		Trim & Clip Assembly
	8562596	White
	8579981	Black
20	3389441	Catch, Door Assembly (1)

OPTIONAL PARTS (NOT INCLUDED)

For Model: 7MMGE9959TW0, 7MMGE9959TB0
(White) (Black)

Illus. No.	Part No.	DESCRIPTION
-------------------	-----------------	--------------------

PAINT, TOUCH-UP (1/2oz.)

72017 White
4396603 Meteorite
72032 Black

PAINT, PRESSURIZED SPRAY (12 oz.)

350930 White
350938 Primer, Gray
786020 Black

ACCESSORY PARTS

8529894 Kit,
Hold Down
8541503 Kit,
Stack Assembly
8522199 Kit, Dryer
Vent Testing
80047 Kit,
Dryer Repair