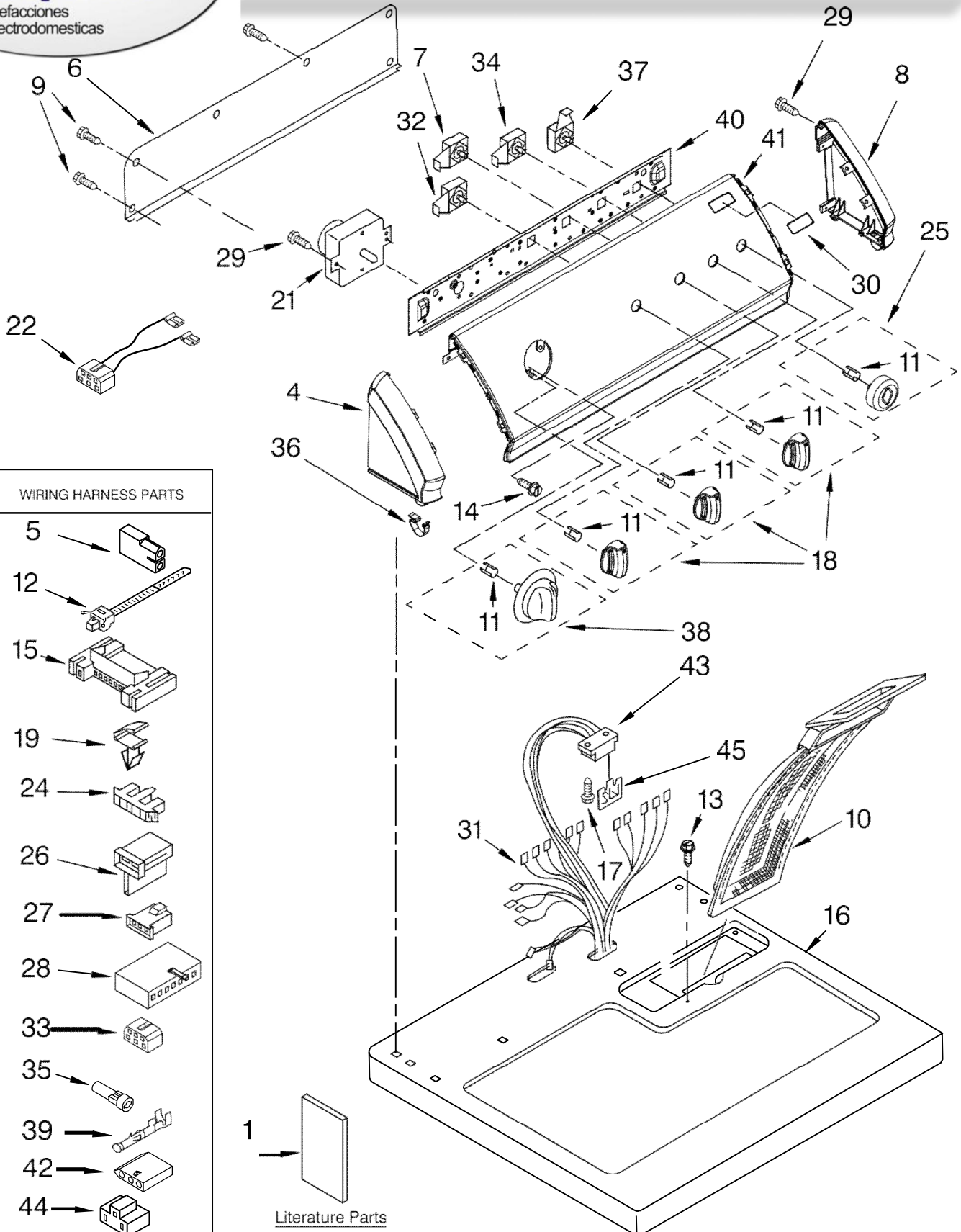


SECADORA 7MMGM0110WW0



WIRING HARNESS PARTS

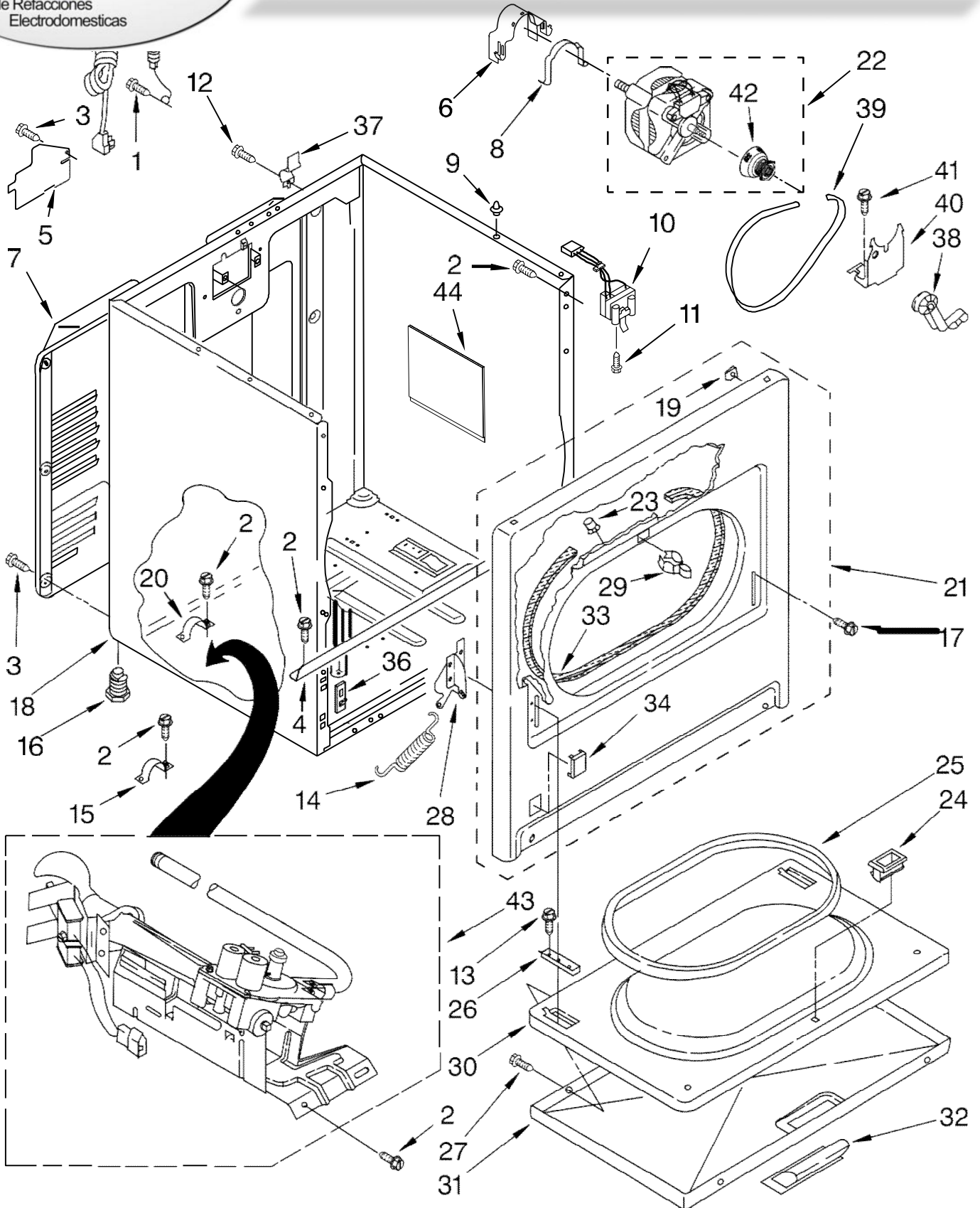
- 5 → [Part 5]
- 12 → [Part 12]
- 15 → [Part 15]
- 19 → [Part 19]
- 24 → [Part 24]
- 26 → [Part 26]
- 27 → [Part 27]
- 28 → [Part 28]
- 33 → [Part 33]
- 35 → [Part 35]
- 39 → [Part 39]
- 42 → [Part 42]
- 44 → [Part 44]

Literature Parts
FOR ORDERING INFORMATION REFER TO PARTS PRICE LIST

SECADORA 7MMGM0110WW0

| Illus. No. | Part No. | DESCRIPTION | Illus. No. | Part No. | DESCRIPTION | Illus. No. | Part No. | DESCRIPTION |
|------------|-----------|------------------------------|------------|-----------|-----------------------------------|------------|-----------|-----------------------|
| 1 | | Literature Parts | 15 | 3395683 | Connector (Motor) | 30 | W10153170 | Assembly, Badge |
| | W10118198 | Installation Instructions | 16 | 8559800 | Top | 31 | 8299891 | Harness, Wiring |
| | W10246604 | Sheet, Cycle Feature | 17 | 343641 | Screw | 32 | 3405155 | Switch, Temperature |
| | 8299791 | Wiring Diagram | 18 | W10192636 | Knob, control | 33 | 3347243 | Connector 6-Circuit |
| 4 | 8559502 | Cap, End (L.H.) | 19 | 3394427 | Clip-Harness | 34 | 3398093 | Switch, Signal |
| 5 | 717252 | Plug, 2-Way Terminal | 21 | 3406725 | Timer Assembly | 35 | 351297 | Plug, Harness |
| | | | 22 | 3401668 | Jumper, Wire | 36 | 8312709 | Clip-Console (2) |
| | | | 24 | 3397269 | Connector-Timer | 37 | 3398094 | Switch, Push-To-Start |
| 6 | 8274261 | Panel, Rear Console | 25 | W10192635 | Knob, Push-To-Start | 38 | W10169851 | Timer Knob Assembly |
| | | | 26 | 3403499 | Connector, 2-Position (Gas Valve) | 39 | 94614 | Terminal, Female |
| 7 | 3405154 | Switch, Rotary (Twist Mount) | 27 | 3403498 | Connector, 3-Position (Gas Valve) | 40 | 8559772 | Bracket, Control |
| 8 | 8559501 | Cap, End (R.H.) | 28 | 3936150 | Connector, 7-Circuit | 41 | W10244065 | Panel, Control |
| 9 | 693995 | Screw, Hex Washer Head | 29 | 8533971 | Screw | 42 | 3936144 | Connector |
| 10 | 8559787 | Screen, Lint | | | | 43 | 3391885 | Connector, Edge |
| 11 | 8536939 | Clip, Spring | | | | 44 | 3401144 | Connector, PTS Relay |
| 12 | 3391249 | Tie, Cable | | | | 45 | 8558178 | Control, Electronic |
| 13 | 688983 | Screw, 8-18 x 5/8 | | | | | | |
| 14 | 8533951 | Screw, Grounding | | | | | | |

SECADORA 7MMGM0110WW0

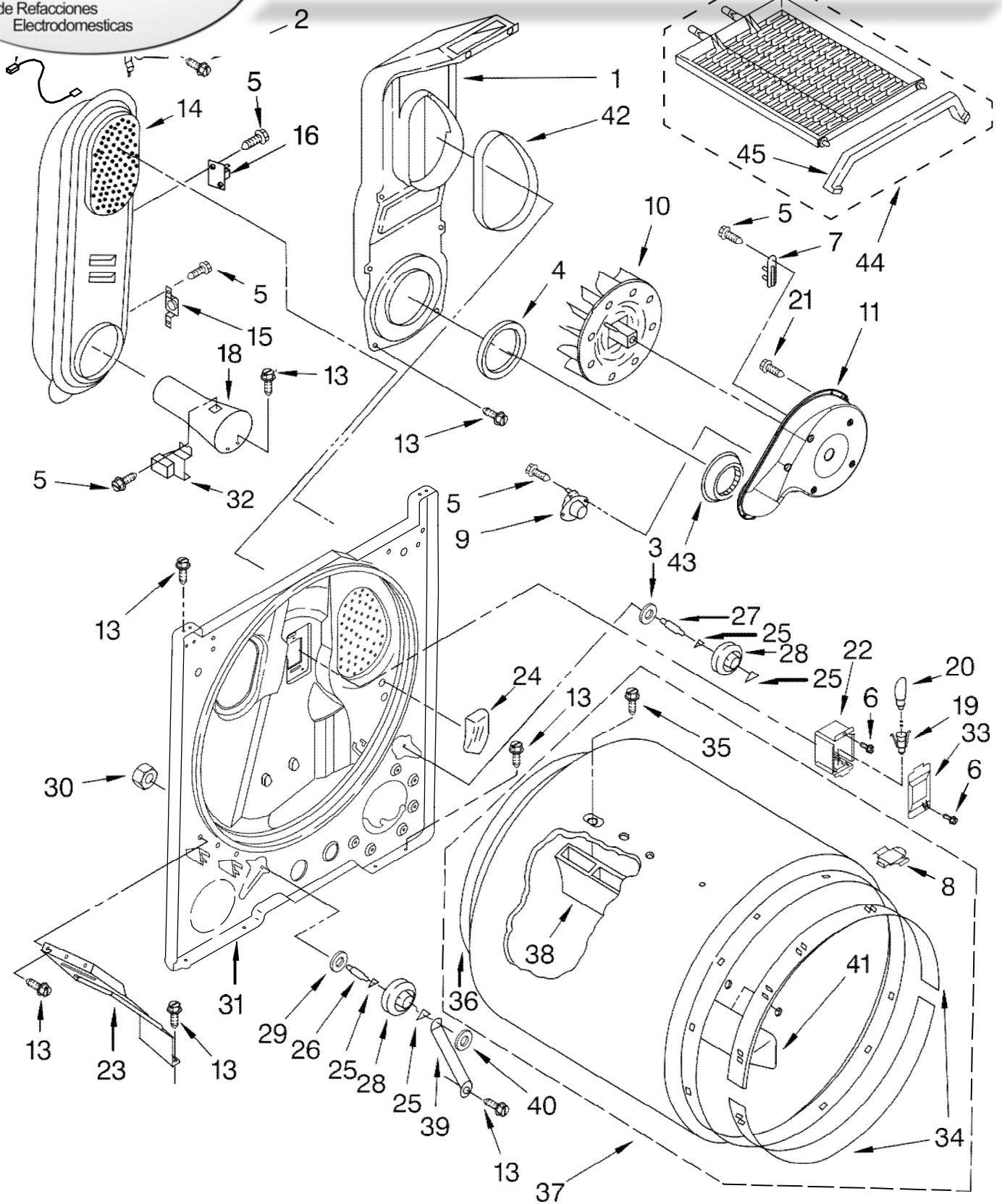


FOR ORDERING INFORMATION REFER TO PARTS PRICE LIST

SECADORA 7MMGM0110WW0

| Illus. No. | Part No. | DESCRIPTION | Illus. No. | Part No. | DESCRIPTION | Illus. No. | Part No. | DESCRIPTION |
|------------|-----------|--|------------|----------|-----------------------------|------------|-----------|--|
| 1 | 697776 | Screw, 10-32 x 5/8 (External Ground) | 17 | 342043 | Screw, 10-32 x 3/8 | 32 | 8559777 | Handle, Door |
| 2 | 343641 | Screw, 10-16 x 1/2 | 18 | 8530603 | Cabinet (Includes Illus. 4) | 33 | 3406129 | Seal & Bearing Assembly |
| 3 | 693995 | Screw, Hex Head | 19 | 98234 | Clip, Ground (2) | 34 | 3394975 | Plug, Front Panel |
| 4 | 8541400 | Bracket, Cabinet | 20 | 341029 | Clamp, Pipe | 35 | 344020 | Cord, Power |
| 5 | 3396795 | Cover, Block | 21 | 8563641 | Panel Front | 36 | 3394083 | Clip, Front Panel (2) |
| 6 | 3404162 | Clamp, Motor (W/Shield) | 22 | 8066206 | Motor Assembly 60 Hz. | 37 | 8066217 | Hinge, Top (2) |
| 7 | 3396805 | Panel, Rear | 23 | 685203 | Clip, Felt Pad (2) | 38 | 691366 | Idler & Pulley Assembly |
| 8 | W10121316 | Clamp, Motor | 24 | 3389441 | Catch, Door Assembly | 39 | W10131364 | Belt, Drive |
| 9 | 690363 | Locator, Top | 25 | 3390731 | Seal, Door | 40 | 348780 | Base, Motor |
| 10 | 3406107 | Door Switch Assembly | 26 | 337189 | Clip, Hinge (2) | 41 | 3400500 | Bolt, 5/16-18 x 3/4 |
| 11 | 697773 | Screw, 6-20 x 7/8 | 27 | 694091 | Screw, 8-18 x 3/8 | 42 | 8066184 | Pulley, 60 Hz. |
| 12 | 359625 | Screw, 8-18 x 1/2 | 28 | 8066056 | Hinge, R.H. | 43 | 8318272 | Burner Assembly, 60 Hz. (See Pages 7 & 8 For Further Burner Breakdown) |
| 13 | 3357011 | Screw, 10-16 x 1/2 | 28 | 8066057 | Hinge, L.H. | | | |
| 14 | W10041960 | Spring, Door (2) | 29 | 696144 | Strike, Panel | | | |
| 15 | 3980175 | Clamp-Elbow | 30 | 695737 | Door, Rear | | | |
| 16 | 3392100 | Foot, Dryer | 31 | 3393549 | Door, Front | 44 | W10123956 | Panel, Sound(3) |
| | 279810 | Foot-Optional (Extended Length) (Package of 2) (Not Included.) | | | | | | |

SECADORA 7MMGM0110WW0



FOR ORDERING INFORMATION REFER TO PARTS PRICE LIST

SECADORA 7MMGM0110WW0

| Illus. No. | Part No. | DESCRIPTION |
|------------|-----------|---|
| 1 | 348368 | Lint Chute Assembly |
| 2 | 489463 | Screw, 8-18 x 5/8 |
| 3 | 3388703 | Washer-Support |
| 4 | 347139 | Seal, Lint Chute |
| 5 | 90767 | Screw, 8-18 x 3/8 |
| 6 | 487909 | Screw, 8-15 x 1/2 |
| 7 | 3392519 | Fuse, Thermal |
| 8 | 8066086 | Drum Hole Plug |
| 9 | 8318268 | Thermistor |
| 10 | 694089 | Wheel, Blower |
| 11 | 8577230 | Housing, Blower |
| 12 | 3398161 | Clip |
| 13 | 343641 | Screw, 10-16 x 1/2 |
| 14 | 8530285 | Box, Heater |
| 15 | 3403140 | Thermostat, 205 F (96°C) |
| 16 | 280010 | Kit, Thermal Cut-Off (Includes Illus. 15) |
| 17 | 3401707 | Wire, Jumper |
| 18 | 8066049 | Funnel, Burner |
| 19 | W10136369 | Socket Assembly |
| 20 | 3406124 | Bulb |
| 21 | 3390647 | Screw, 8-18 x 1/2 |
| 22 | 3977373 | Bracket, Drum Light |
| 23 | 3406022 | Bracket, Bulkhead |
| 24 | 3976479 | Pad, Sensor |
| 25 | 690997 | Ring, Tri 26 |
| | 3399506 | Shaft, L.H. |
| 27 | 3399507 | Shaft, R.H. |
| 28 | 3397590 | Roller, Support |
| 29 | 348197 | Washer, Support |
| 30 | 3359452 | Nut, 3/8-16 |
| 31 | 3403414 | Bulkhead |
| 32 | 338906 | Sensor, Radiant |
| 33 | 3402841 | Lens, Drum Light |
| 34 | 692526 | Ring, Bearing |
| 35 | W10219342 | Screw, 11-16 x 3/4 |
| 36 | 3406130 | Seal, Rear Drum |
| 37 | 695587 | Drum Assembly |
| 38 | 692490 | Baffle, Drum (2) |
| 39 | 3976434 | Bracket, Support |
| 40 | 90296 | Clip |
| 41 | 3403636 | Baffle, Drum (1) |
| 42 | 339956 | Seal |
| 43 | 696302 | Shield, Exhaust |
| 44 | 3406839 | Dry Rack, Assembly |
| 45 | 692989 | Bracket, Dry Rack |

Distribuidor Autorizado

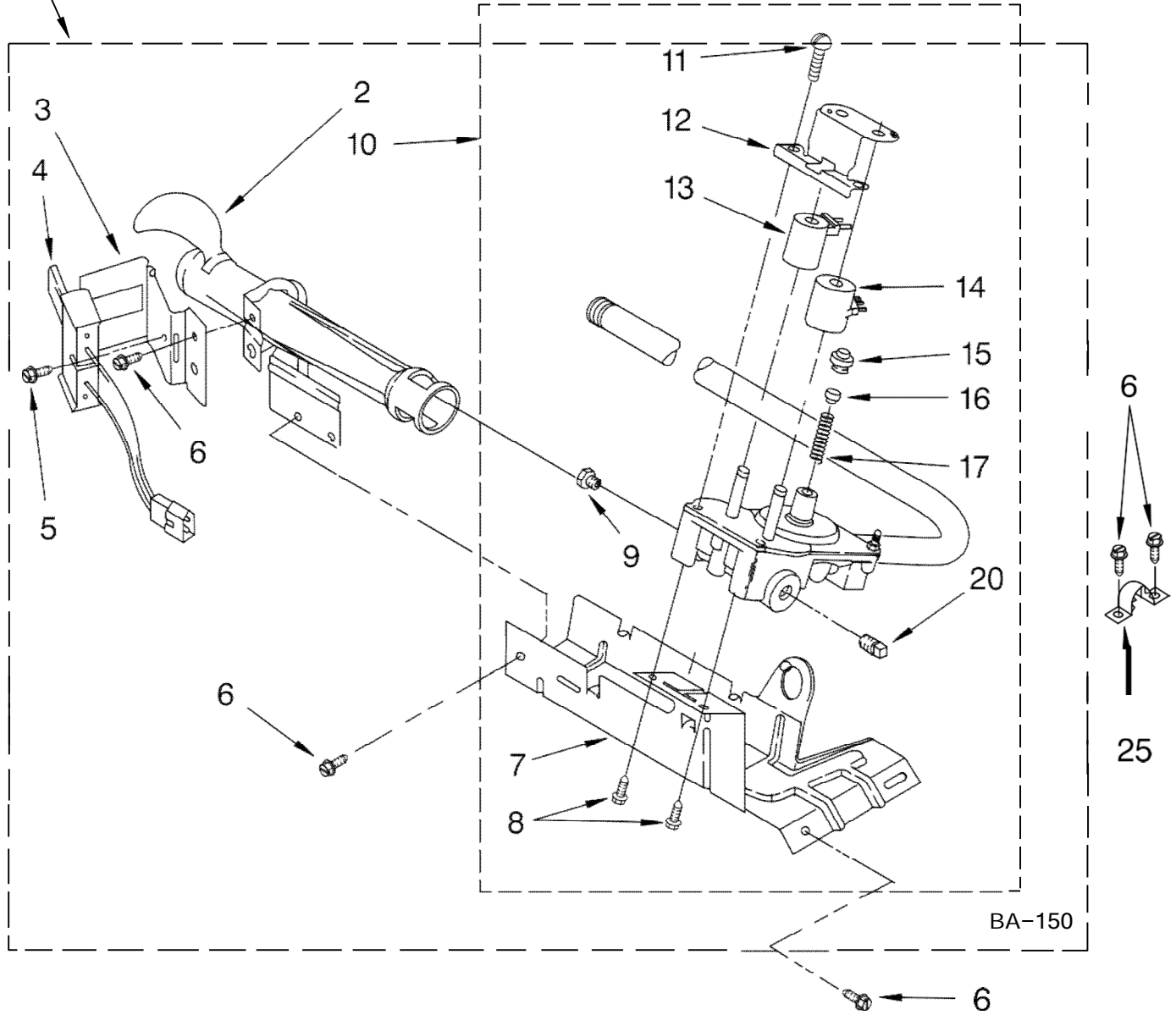
SurteRápido.com

Venta de Refacciones
Electrodomesticas

SECADORA 7MMGM0110WW0

USE WITH TYPE 1 - NATURAL

AND TYPE 4 LIQUEFIED PROPANE AND BUTANE GASES



FOR ORDERING INFORMATION REFER TO PARTS PRICE LIST



SECADORA 7MMGM0110WW0

USE WITH TYPE 1 – NATURAL
AND TYPE 4 LIQUEFIED PROPANE AND BUTANE GASES

| Illus. No. | Part No. | DESCRIPTION |
|------------|----------|---|
| 1 | 8318272 | Burner Assembly 60 Hz. (Type 1) (White Rodgers) |
| 2 | 688617 | Tube, Burner |
| 3 | 694298 | Bracket, Ignitor |
| 4 | 686590 | Ignitor |
| 5 | 3393909 | Screw & Washer (8-32 x 5/8) |
| 6 | 343641 | Screw, 10-16 x 1/2 |
| 7 | 693986 | Base, Burner |
| 8 | 3387057 | Screw, 8-18 x 3/8 |
| 9 | | Orifice, Burner |
| | 234826 | Type 1 |
| | 229742 | Type 4 (Butane) |
| | 234868 | Type 4 (Propane) |
| 10 | 8318277 | Valve, 60 Hz. (Includes Pipe & Illus. #7) |
| 11 | 694421 | Screw, 8-32 x 1/2 (2) |
| 12 | 694538 | Bracket, Coil |
| 13 | 694540 | Coil, 60 Hz. (2 Terminal) (Main) |
| 14 | 694539 | Coil, 60 Hz. (Split) (3 Terminal) (Pilot Position) |
| 15 | 694424 | Leak Limiter |
| 16 | 694423 | Screw, Regulator Adjustment |
| 17 | 694422 | Spring, Regulator |
| 20 | 239822 | Plug, Pipe |
| 25 | 341029 | Clamp, Pipe |

Following Parts Not Illustrated

694572 Conversion Kit
(Type 1)
to Type (4) L.P.G.

BA-150

FOR ORDERING INFORMATION REFER TO PARTS PRICE LIST

OPTIONAL PARTS (NOT INCLUDED)

For Models: 7MMGM0110WW0
(Silver/White)

| Illus. No. | Part No. | DESCRIPTION |
|-------------------|-----------------|--------------------|
|-------------------|-----------------|--------------------|

ACCESSORY PARTS

| | | |
|--|---------|---|
| | 279948 | Kit, Dryer Repair |
| | 346764 | Kit, Hold-Down (Gas Dryer Mobile Home Installation) |
| | 3406839 | Dry Rack |
| | 8522199 | Kit, Dryer Vent Testing |

PAINT, TOUCH-UP (1/2oz.)

| | | |
|--|---------|---------|
| | 72017 | White |
| | 4392899 | Biscuit |

PAINT, PRESSURIZED SPRAY (12 oz.)

| | | |
|--|---------|--------------|
| | 350930 | White |
| | 4392901 | Biscuit |
| | 350938 | Primer, Gray |

PAINT, BULK (1 qt.)

| | | |
|--|---------|----------------|
| | 799344 | White (Uncut) |
| | 4392900 | Biscuit(Uncut) |

FOR ORDERING INFORMATION REFER TO PARTS PRICE LIST