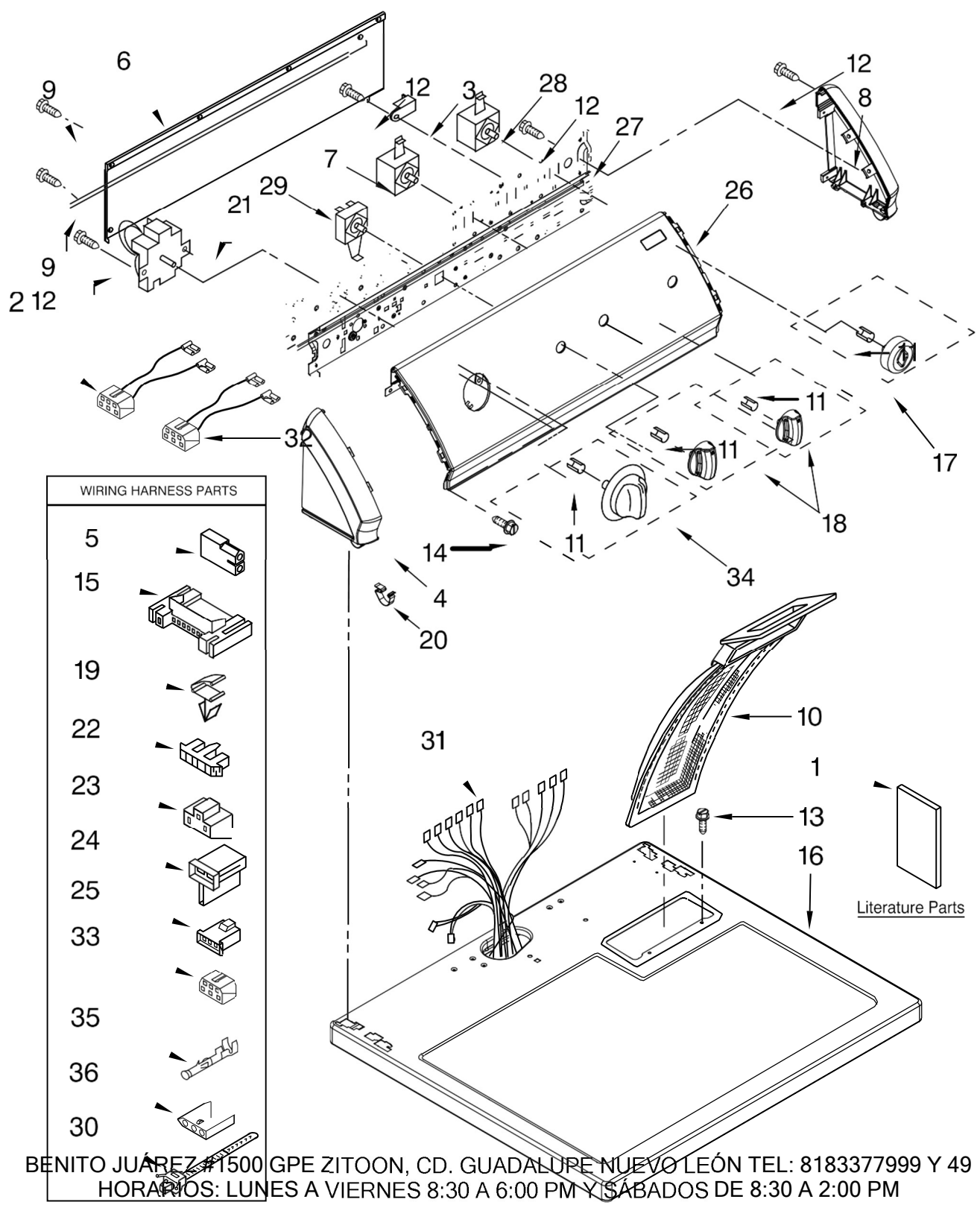


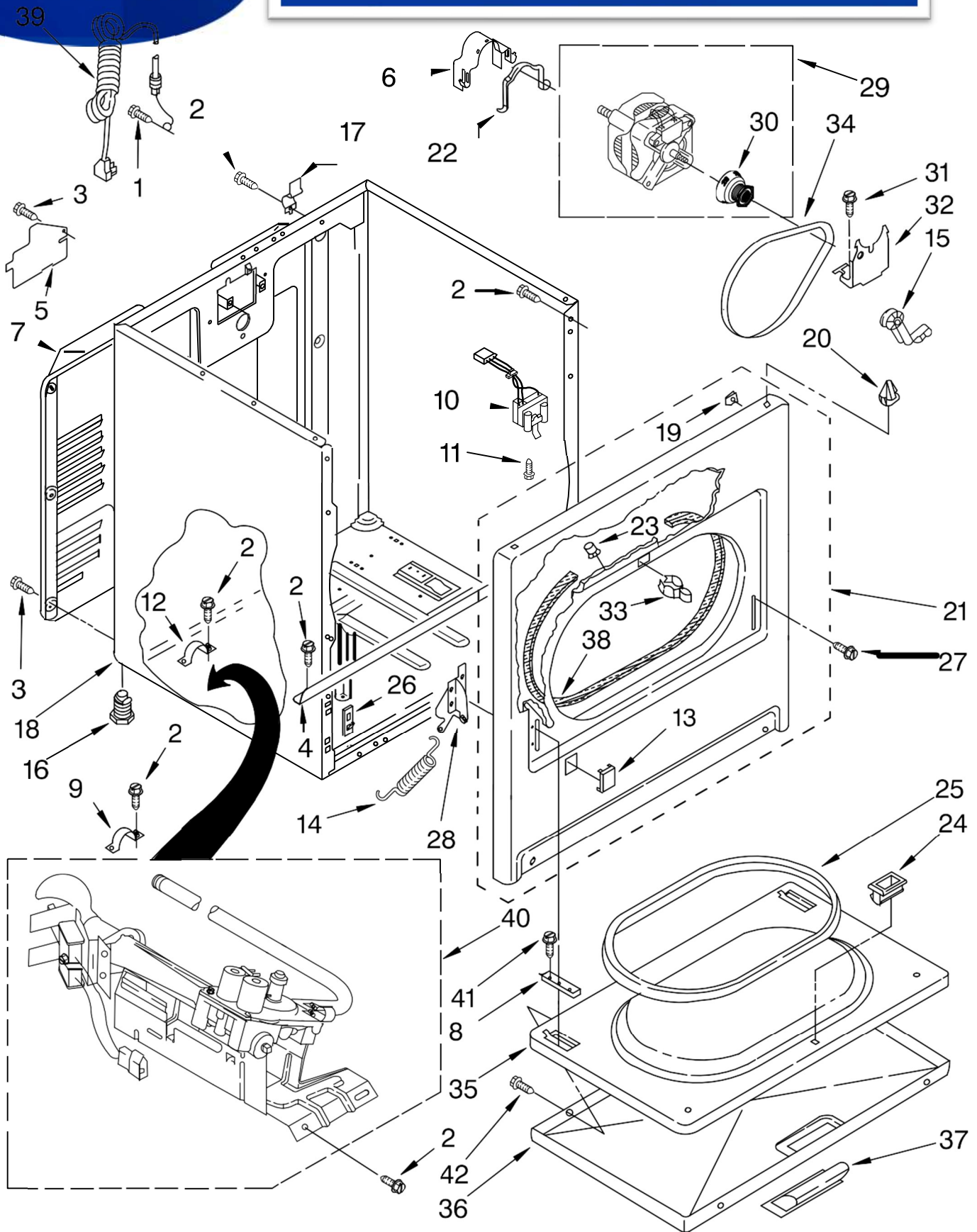


# SECADORA 7MMGP0070VM0

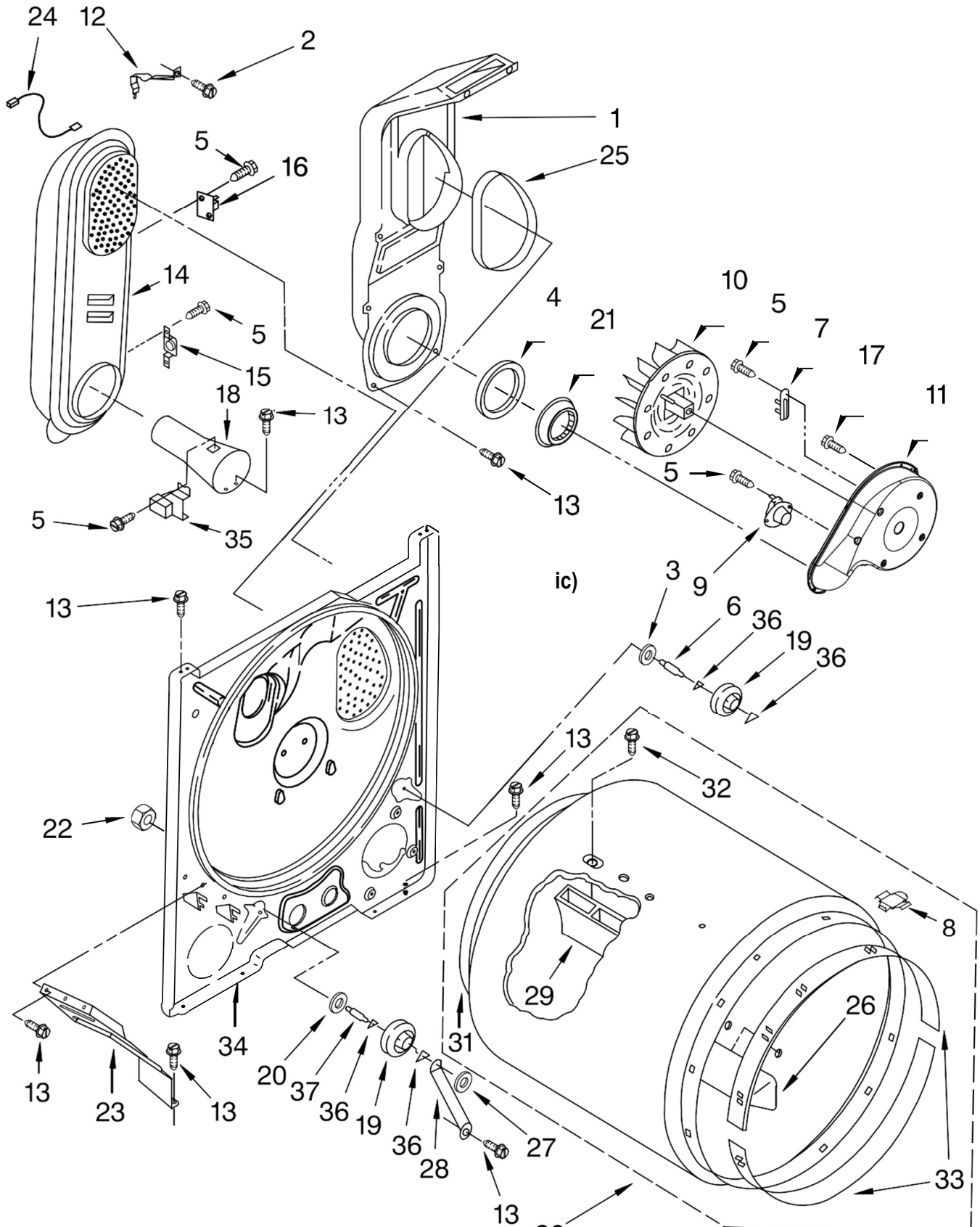


BENITO JUÁREZ #1500 GPE ZITON, CD. GUADALUPE NUEVO LEÓN TEL: 8183377999 Y 49  
 HORARIOS: LUNES A VIERNES 8:30 A 6:00 PM Y SÁBADOS DE 8:30 A 2:00 PM  
 WEB: www.denek.com

Illus. No.	Part No.	DESCRIPTION	Illus. No.	Part No.	DESCRIPTION	Illus. No.	Part No.	DESCRIPTION
1		Literature Parts	10	8559787	Screen, Lint	25	3403498	Connector, 3-Position (Gas Valve)
	W10118198	Instructions, Installation	11	8536939	Clip, Spring			
	8578217	Wiring Diagram	12	8533971	Screw, 8-18 x 5/16	26	W10155415	Panel Control
	W10155425	Sheet, Cycle Feature	13	688983	Screw, 8-18 x 5/8	27	8559772	Bracket, Control
2	3401695	Wire, Jumper (Black)	14	8533951	Screw, Grounding	28	3398094	Switch, Push-To-Start
3	694419	Buzzer, Mini	15	3395683	Connector (Motor)	29	3405152	Switch, Wrinkle Guard
4	W10128464	Cap, End (L.H.)	16	8559800	Top	30	3391249	Tie, Cable
5	717252	Plug, 2-Way Terminal	17	3956790	Knob, Push-To-Start	31	8299878	Harness, Wiring
6	8274261	Panel, Rear Console	18	3956788	Knob, Control (2)	32	3396029	Wire, Jumper (Temperature)
7	3399639	Switch, Temperature	19	3394427	Clip-Harness	33	3347243	Connector
8	W10128463	Cap, End (R.H.)	20	W10129041	Clip, Console	34	8571409	Timer Knob Assembly
9	693995	Screw, Hex Washer Head	21	8299765	Timer Assembly (60 Hz.)	35	94614	Terminal, Female
			22	3397269	Connector-Timer	36	3936144	Connector
			23	3401144	Connector, (PTS Relay)			
			24	3403499	Connector, 2-Position (Gas Valve)			



Illus. No.	Part No.	DESCRIPTION	Illus. No.	Part No.	DESCRIPTION	Illus. No.	Part No.	DESCRIPTION
1	697776	Screw, 10-32 x 5/8 (External Ground)	17	8066217	Hinge, Top (2)	30	8066184	Pulley, 60 HZ.
2	343641	Screw, 10-16 x 1/2	18	8530603	Cabinet (Includes Illus. 4)	31	3400500	Bolt, 5/16 x 3/4
3	693995	Screw, Hex Head	19	98234	Clip, Ground (2)	32	348780	Base, Motor
4	8541400	Bracket, Cabinet	20	690363	Lock, Front Top (2)	33	696144	Strike, Panel
5	3396795	Cover, Block	21	8563641	Panel Front	34	W10131364	Belt, Drive
6	3404162	Clamp, Motor (W/Shield)	22	660658	Clamp-Motor	35	695737	Door, Rear
7	3396805	Panel, Rear	23	685203	Clip, Felt Pad (2)	36	3393549	Door, Front
8	337189	Clip, Hinge (2)	24	3389441	Catch, Door Assembly	37	8559777	Handle, Door
9	3980175	Clamp-Elbow	25	3390731	Seal, Door	38	3406129	Seal & Bearing Assembly
10	3406109	Door Switch Assembly	26	3394083	Clip, Front Panel	39	344020	Cord, Power
11	697773	Screw, 6-20 x 7/8	27	342043	Screw, 8-18 x 1/2	40	8318272	Burner, Assembly 60 Hz. (See Pages 7 & 8 For Further Burner Breakdown)
12	341029	Clamp-Pipe	28		Hinge, Door Assembly	41	694091	Screw, 8-18 x 3/8
13	3394975	Plug, Front Panel		8066056	Hinge, (R.H.)	42	3357011	Screw, 10-16 x 1/2
14	W10041960	Spring, Door (2)		8066057	Hinge, (L.H.)			
15	691366	Idler & Pulley Assembly	29	8066206	Motor, Assembly 60 HZ.			
16	3392100 279810	Foot, Dryer Foot-Optional (Extended Length) (Package of 2) (Not Included.)						





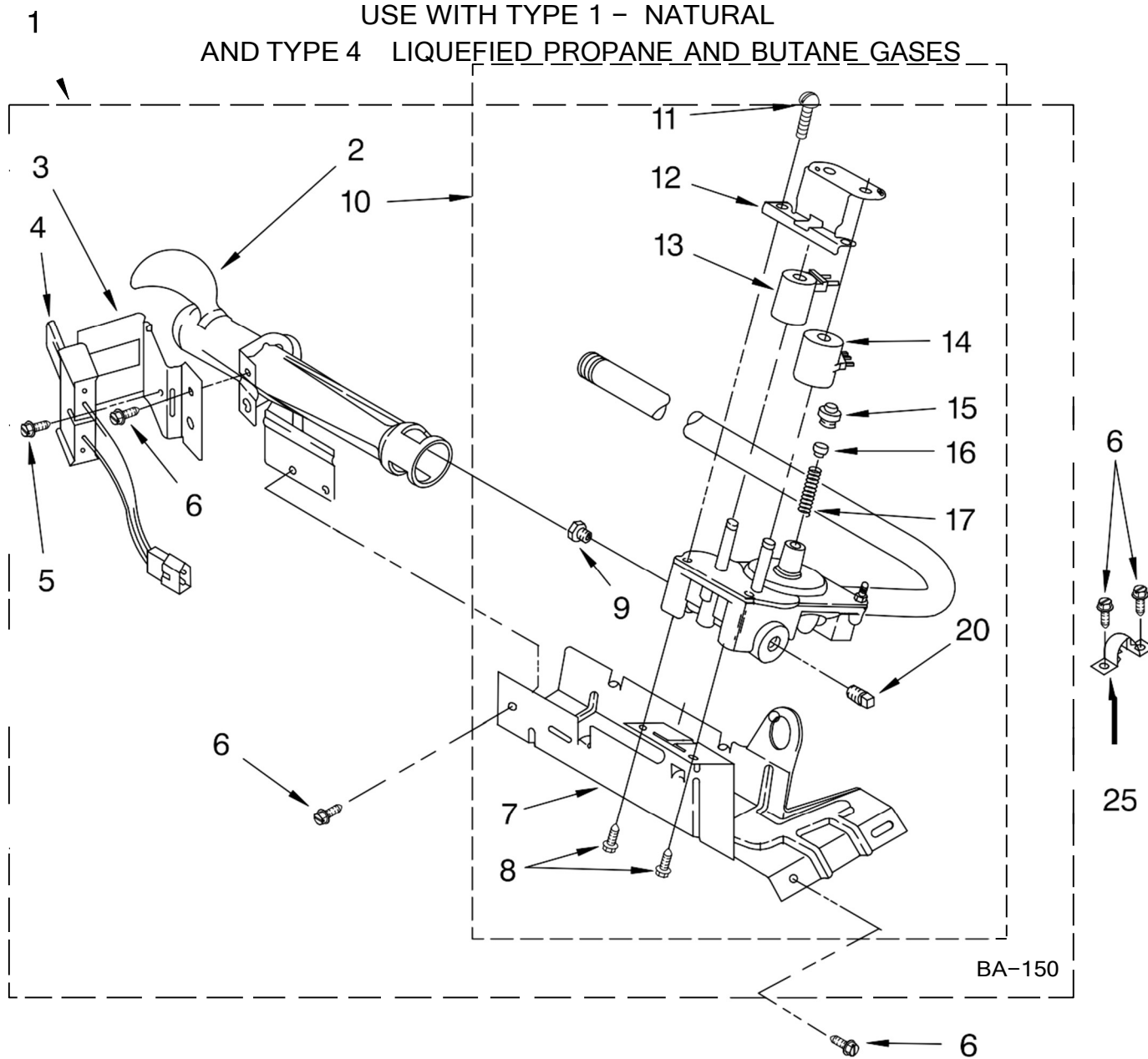
# SECADORA 7MMGP0070VM0

<b>Ilus. No.</b>	<b>Part No.</b>	<b>DESCRIPTION</b>
1	348368	Lint Chute Assembly
2	489463	Screw, 8-18 x 5/8
3	3388703	Washer-Support
4	347139	Seal, Lint Chute
5	90767	Screw, 8-18 x 3/8
6	3399507	Shaft, R.H.
7	3392519	Fuse, Thermal
8	8066086	Drum Hole Plug
9	3387134	Thermostat, Internal-Bias
10	694089	Wheel, Blower (Includes Illus. 21)
11	8577230	Housing, Blower
12	3398161	Clip
13	343641	Screw, 10-16 x 1/2
14	8530285	Box, Heater
15	3403140	Thermostat, 205 F (96°C)
16	280010	Kit, Thermal Cut-Off (Includes Illus. 15)
17	3390647	Screw, 8-18 x 1/2
18	8066049	Funnel, Burner
19	3397590	Roller, Support
20	348197	Washer, Support
21	696302	Shield, Exhaust
22	3359452	Nut, 3/8-16
23	3406022	Bracket, Bulkhead
24	3401707	Wire, Jumper
25	339956	Seal
26	3403636	Baffle, Drum (1)
27	90296	Clip
28	3976434	Bracket, Support
29	692490	Baffle, Drum (2)
30	695587	Drum, Assembly
31	3406130	Seal, Rear Drum
32	W10109200	Screw, 11-16 x 3/4
33	692526	Ring, Bearing
34	3403410	Bulkhead
35	338906	Sensor, Radiant
36	690997	Ring, Tri 37
	3399506	Shaft, L.H.



# SECADORA 7MMGP0070VM0

USE WITH TYPE 1 - NATURAL  
AND TYPE 4 LIQUEFIED PROPANE AND BUTANE GASES





# SECADORA 7MMGP0070VM0

USE WITH TYPE 1 – NATURAL  
AND TYPE 4 LIQUEFIED PROPANE AND BUTANE GASES

Illus. No.	Part No.	DESCRIPTION
1	8318272	Burner Assembly 60 Hz. (Type 1) (White Rodgers)
2	688617	Tube, Burner
3	694298	Bracket, Ignitor
4	686590	Ignitor
5	3393909	Screw & Washer (8–32 x 5/8)
6	343641	Screw, 10–16 x 1/2
7	693986	Base, Burner
8	3387057	Screw, 8–18 x 3/8
9	234826	Orifice, Burner Type 1
	229742	Type 4 (Butane)
	234868	Type 4 (Propane)
10	8318277	Valve, 60 Hz. (Includes Pipe & Illus. #7)
11	694421	Screw, 8–32 x 1/2 (2)
12	694538	Bracket, Coil
13	694540	Coil, 60 Hz. (2 Terminal) (Main)
14	694539	Coil, 60 Hz. (Split) (3 Terminal) (Pilot Position)
15	694424	Leak Limiter
16	694423	Screw, Regulator Adjustment
17	694422	Spring, Regulator
20	239822	Plug, Pipe
25	341029	Clamp, Pipe

## Following Parts Not Illustrated

694572 Conversion Kit  
(Type 1)  
to Type (4) L.P.G.



# OPTIONAL PARTS (NOT INCLUDED)

For Model: 7MMGP0070VM0

(White/Metallic)

<b>Illus.</b>	<b>Part</b>	
<b>No.</b>	<b>No.</b>	<b>DESCRIPTION</b>

## ACCESSORY PARTS

279948	Kit, Dryer Repair
346764	Kit, Hold-Down (Gas Dryer Mobile Home Installation)
8522199	Kit, Dryer Vent Testing
3406839	Dry Rack

## PAINT, TOUCH-UP (1/2oz.)

72017 White

## PAINT, PRESSURIZED SPRAY (12 oz.)

350930 White  
350938 Primer, Gray

## PAINT, BULK (1 qt.)

799344 White (Uncut)