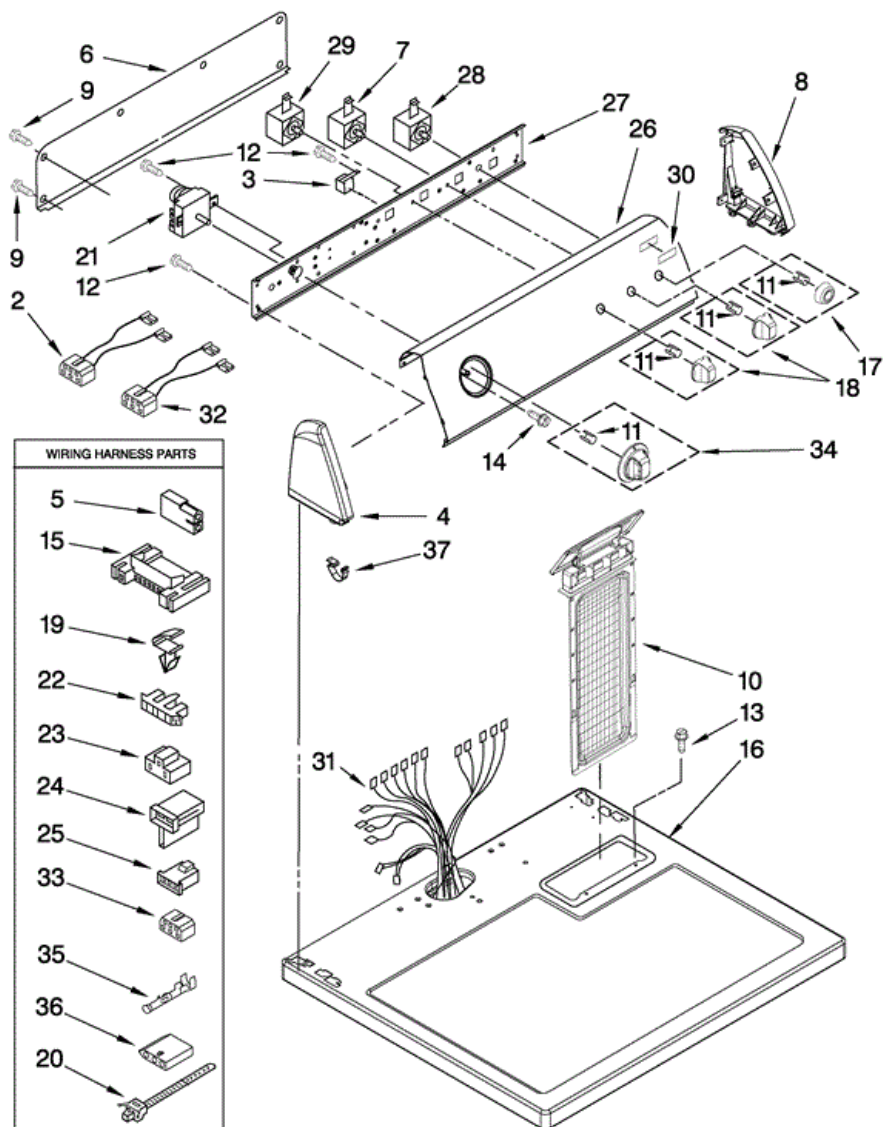


Distribuidor Autorizado

SurteRápido.com

Venta de Refacciones
Electrodomesticas

7MMGP0075WW0 TABLERO





7MMGP0075WW0 TABLERO

| | | |
|----|-----------|-----------------------------------|
| 2 | 3401695 | WIRE, JUMPER (BLACK) |
| 3 | 694419 | BUZZER, MINI |
| 4 | 8559502 | CAP, END (L.H.) (WHITE) |
| 5 | 717252 | PLUG, 2-WAY TERMINAL |
| 6 | 8274261 | PANEL, REAR CONSOLE |
| 7 | 3399639 | SWITCH, TEMPERATURE |
| 8 | 8559501 | CAP, END (R.H.) (WHITE) |
| 9 | 693995 | SCREW, HEX WASHER HEAD |
| 10 | 8559787 | SCREEN, LINT (WHITE) |
| 11 | 8536939 | CLIP, SPRING |
| 12 | 8533971 | SCREW, 8-18 X 5/16 |
| 13 | 688983 | SCREW, 8-18 X 5/8 |
| 14 | 8533951 | SCREW, GROUNDING |
| 15 | 3395683 | CONNECTOR (MOTOR) |
| 16 | 8559800 | TOP (WHITE) |
| 17 | 3956790 | KNOB, PUSH-TO-START (WHITE) |
| 18 | 3956788 | KNOB, CONTROL (2) (WHITE) |
| 19 | 3394427 | CLIP, HARNESS |
| 20 | 3391249 | CABLE TIE |
| 21 | 8299765 | TIMER ASSEMBLY (60 HZ.) |
| 22 | 3397269 | CONNECTOR-TIMER |
| 23 | 3401144 | CONNECTOR (PTS) RELAY |
| 24 | 3403499 | CONNECTOR, 2-POSITION (GAS VALVE) |
| 25 | 3403498 | CONNECTOR, 3-POSITION (GAS VALVE) |
| 26 | W10244064 | PANEL CONTROL (WHITE) |
| 27 | 8559772 | BRACKET, CONTROL |
| 28 | 3398094 | SWITCH, PUSH-TO-START |
| 29 | 3405152 | SWITCH, WRINKLE GAURD |
| 30 | W10153170 | BADGE |
| 31 | 8299878 | HARNESS, WIRING |
| 32 | 3396029 | WIRE, JUMPER (TEMPERATURE) |
| 33 | 3347243 | CONNECTOR |
| 34 | 8571409 | TIMER KNOB ASSEMBLY (WHITE) |

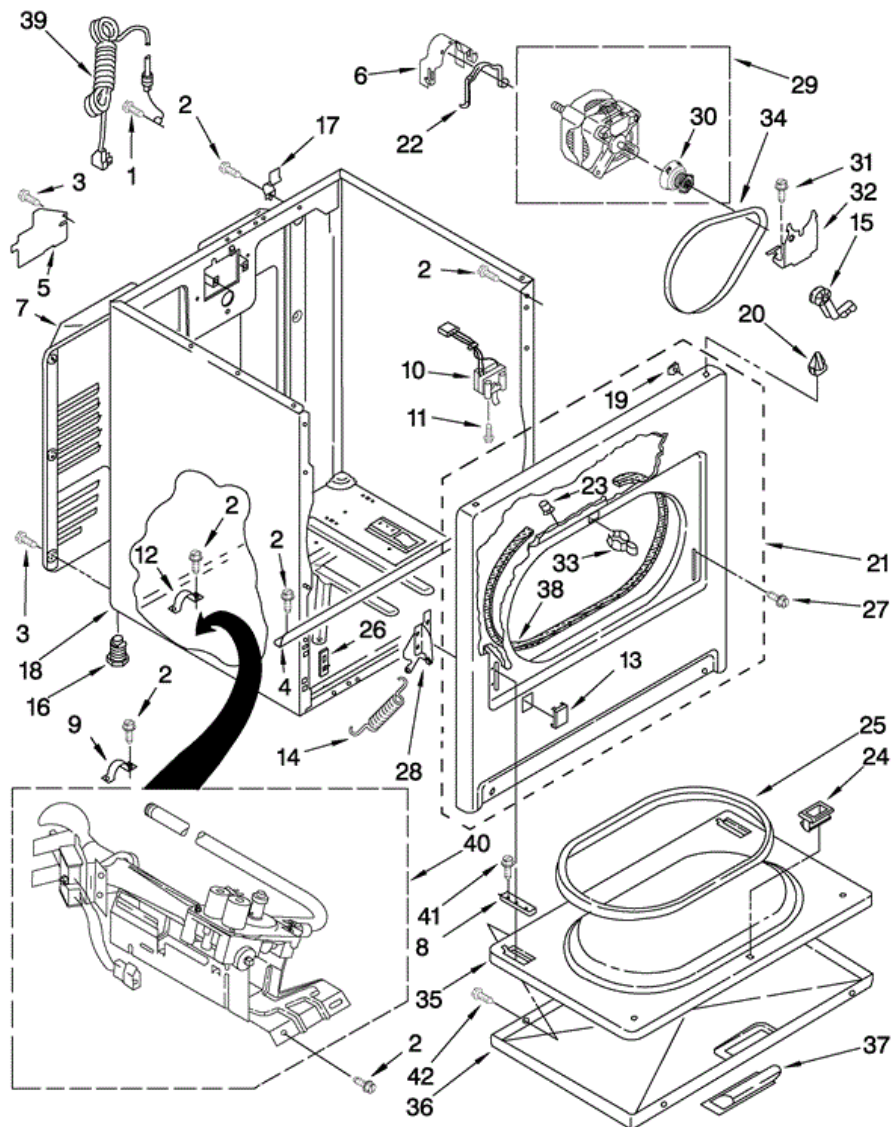
| | | |
|----|---------|------------------|
| 35 | 94614 | TERMINAL, FEMALE |
| 36 | 3936144 | CONNECTOR |
| 37 | 8312709 | CLIP, CONSOLE |

Distribuidor Autorizado

SurteRápido.com

Venta de Refacciones
Electrodomesticas

7MMGP0075WW0 GABINETE





7MMGP0075WW0 GABINETE

| | | |
|----|-----------|--------------------------------------|
| 1 | 697776 | SCREW, 10-32 X 5/8 (EXTERNAL GROUND) |
| 2 | 3390631 | SCREW, 10-16 X 3.75 |
| 3 | 693995 | SCREW, HEX HEAD |
| 4 | 8541400 | BRACKET, CABINET |
| 5 | 3396795 | COVER, BLOCK |
| 6 | 3404162 | CLAMP, MOTOR (W/SHIELD) |
| 7 | 3396805 | PANEL, REAR |
| 8 | 337189 | CLIP, HINGE (2) |
| 9 | 3980175 | CLAMP-ELBOW |
| 10 | 3406109 | DOOR SWITCH ASSEMBLY |
| 11 | 697773 | SCREW, 6-20 X 7/8 |
| 12 | 341029 | CLAMP, PIPE |
| 13 | 3394975 | PLUG, FRONT PANEL (WHITE) |
| 14 | W10041960 | SPRING-DOOR (2) |
| 15 | 691366 | IDLER & PULLEY ASSEMBLY |
| 16 | 279810 | FOOT - OPTIONAL |
| 16 | 3392100 | FOOT, DRYER |
| 17 | 8066217 | HINGE, TOP (2) |
| 18 | 8530603 | CABINET (INCLUDES ILLUS. 4) (WHITE) |
| 19 | 98234 | CLIP, GROUND (2) |
| 20 | 690363 | LOCK, FRONT TOP (2) |
| 21 | 8563641 | PANEL FRONT (WHITE) |
| 22 | W10121316 | CLAMP, MOTOR |
| 23 | 685203 | CLIP, FELT PAD (2) |
| 24 | 3389441 | CATCH, DOOR ASSEMBLY |
| 25 | 3390731 | SEAL, DOOR |
| 26 | 3394083 | CLIP, FRONT PANEL |
| 27 | 342043 | SCREW, 8-18 X 1/2 |
| 28 | 8066056 | HINGE, DOOR ASSEMBLY (HINGE, (R.H.)) |
| 28 | 8066057 | HINGE, DOOR ASSEMBLY (HINGE, (L.H.)) |
| 29 | 8066206 | MOTOR ASSEMBLY 60 HZ. |
| 30 | 8066184 | PULLEY, 60 HZ. |
| 31 | 3400500 | BOLT, 5/16 X 3/4 |

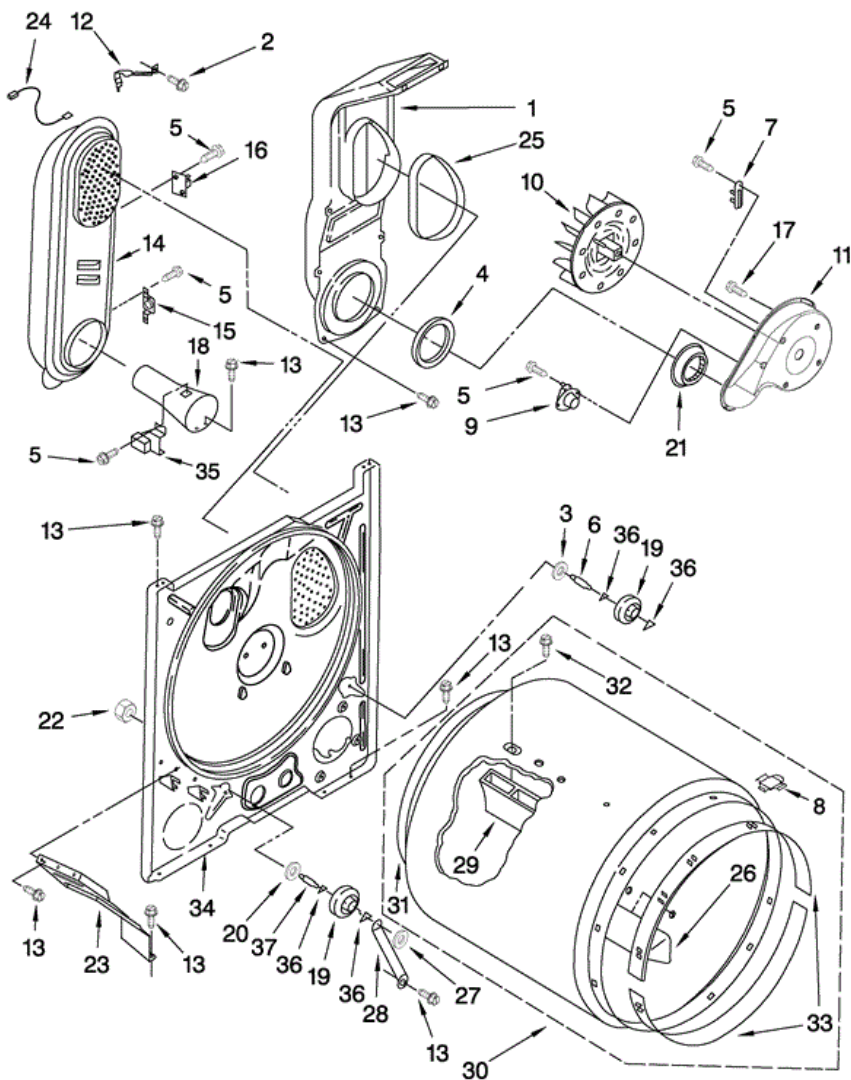
| | | |
|----|---------|-------------------------|
| 32 | 348780 | BASE, MOTOR |
| 33 | 696144 | STRIKE, PANEL |
| 34 | 8066065 | BELT, DRIVE |
| 35 | 695737 | DOOR, REAR |
| 36 | 3393549 | DOOR, FRONT (WHITE) |
| 37 | 8559777 | HANDLE, DOOR (WHITE) |
| 38 | 3406129 | SEAL & BEARING ASSEMBLY |
| 39 | 344020 | CORD, POWER |
| 40 | 8318272 | BURNER ASSEMBLY, 60 HZ. |
| 41 | 694091 | SCREW, 8-18 X 3/8 |
| 42 | 3357011 | SCREW, 10-16 X 1/2 |

Distribuidor Autorizado

SurteRápido.com

Venta de Refacciones
Electrodomesticas

7MMGP0075WW0 TAMBOR



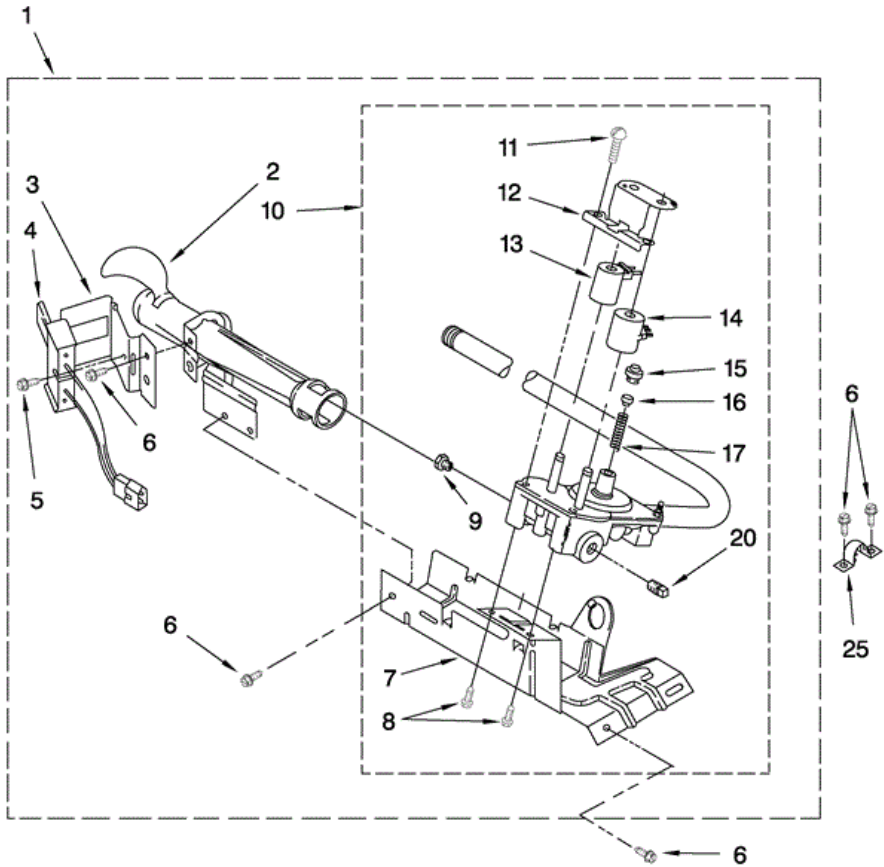


7MMGP0075WW0 TAMBOR

| | | |
|----|-----------|---|
| 1 | 348368 | LINT CHUTE ASSEMBLY |
| 2 | 489463 | SCREW, 8-18 X 5/8 |
| 3 | 3388703 | WASHER-SUPPORT |
| 4 | 347139 | SEAL, LINT CHUTE |
| 5 | 90767 | SCREW, 8-18 X 3/8 |
| 6 | 3399507 | SHAFT, R.H. |
| 7 | 3392519 | FUSE, THERMAL |
| 8 | 8066086 | DRUM HOLE PLUG |
| 9 | 3387134 | THERMOSTAT, INTERNAL-BIAS |
| 10 | 694089 | WHEEL, BLOWER (INCLUDES ILLUS. 21) |
| 11 | 8577230 | HOUSING, BLOWER |
| 12 | 3398161 | CLIP |
| 13 | 3390631 | SCREW, 10-16 X 3.75 |
| 14 | 8530285 | BOX, HEATER |
| 15 | 3403140 | THERMOSTAT, 205 F (96C) |
| 16 | 280010 | KIT, THERMAL CUT-OFF (INCLUDES ILLUS. 15) |
| 17 | 3390647 | SCREW, 8-18 X 1/2 |
| 18 | 8066049 | FUNNEL, BURNER |
| 19 | 3397590 | ROLLER, SUPPORT |
| 20 | 348197 | WASHER, SUPPORT |
| 21 | 696302 | SHIELD, EXHAUST |
| 22 | 3359452 | NUT, 3/8-16 |
| 23 | 3406022 | BRACKET, BULKHEAD |
| 24 | 3401707 | WIRE JUMPER |
| 25 | 339956 | SEAL |
| 26 | 3403636 | BAFFLE, DRUM (1) |
| 27 | 90296 | CLIP |
| 28 | 3976434 | BRACKET, SUPPORT |
| 29 | 692490 | BAFFLE, DRUM (2) |
| 30 | 695587 | DRUM ASSEMBLY |
| 31 | 3406130 | SEAL, REAR DRUM |
| 32 | W10219342 | SCREW, 8-16 X .750 |
| 33 | 692526 | RING, BEARING |

| | | |
|----|---------|-----------------|
| 34 | 3403410 | BULKHEAD |
| 35 | 338906 | SENSOR, RADIANT |
| 36 | 690997 | RING, TRI |
| 37 | 3399506 | SHAFT, L.H. |

7MMGP0075WW0 QUEMADOR





7MMGP0075WW0 QUEMADOR

| | | |
|----|---------|--|
| 1 | 8318272 | BURNER ASSEMBLY 60 HZ. (TYPE 1) |
| 2 | 688617 | TUBE, BURNER |
| 3 | 694298 | BRACKET, IGNITOR |
| 4 | 686590 | IGNITOR |
| 5 | 3393909 | SCREW & WASHER (8-32 X 5/8) |
| 6 | 343641 | SCREW, 10-16 X 1/2 |
| 7 | 693986 | BASE, BURNER |
| 8 | 3387057 | SCREW, 8-18 X 3/8 |
| 9 | 229742 | ORIFICE, BURNER (TYPE 4 (BUTANE)) |
| 9 | 234826 | ORIFICE, BURNER TYPE 1 |
| 9 | 234868 | ORIFICE, BURNER (TYPE 4 (PROPANE)) |
| 10 | 8318277 | VALVE, 60 HZ.(INCLUDES PIPE & ILLUS. NO.7) |
| 11 | 694421 | SCREW, 8-32 X 1/2 (2) |
| 12 | 694538 | BRACKET, COIL |
| 13 | 694540 | COIL, 60 HZ. 2 TERMINAL) (MAIN) |
| 14 | 694539 | COIL, 60 HZ. (SPLIT) (3 TERMINAL) (PILOT POSITION) |
| 15 | 694424 | LEAK, LIMITER |
| 16 | 694423 | SCREW, REGULATOR ADJUSTMENT |
| 17 | 694422 | SPRING, REGULATOR |
| 20 | 239822 | PLUG, PIPE |
| 25 | 341029 | CLAMP, PIPE |
| NI | 694572 | CONVERSION KIT (TYPE 1) TO TYPE (4) L.P.G. |