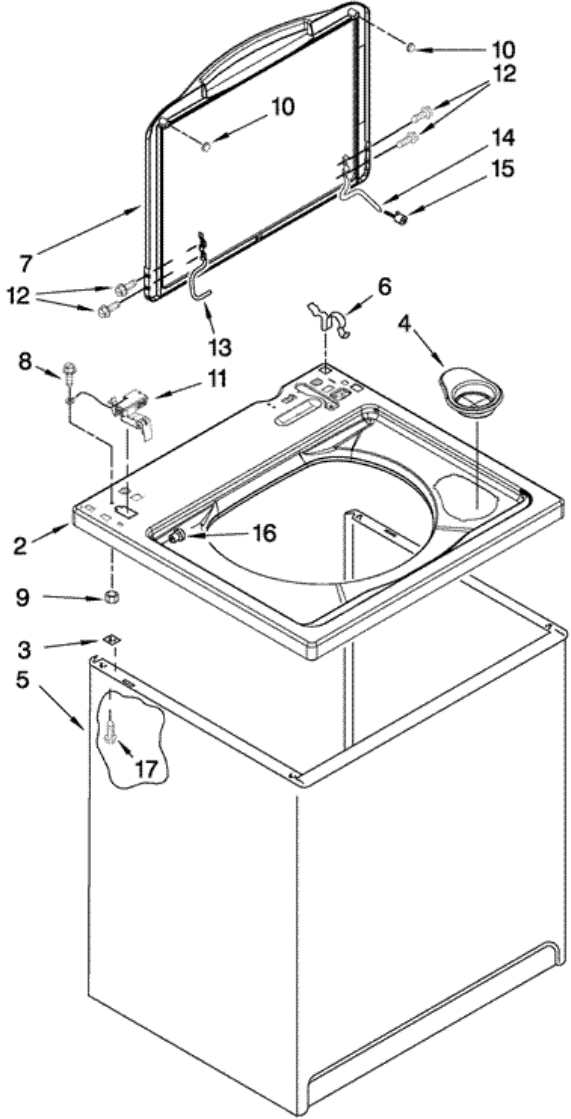


7MMMS0100VW1 GABINETE





7MMMS0100VW1 GABINETE

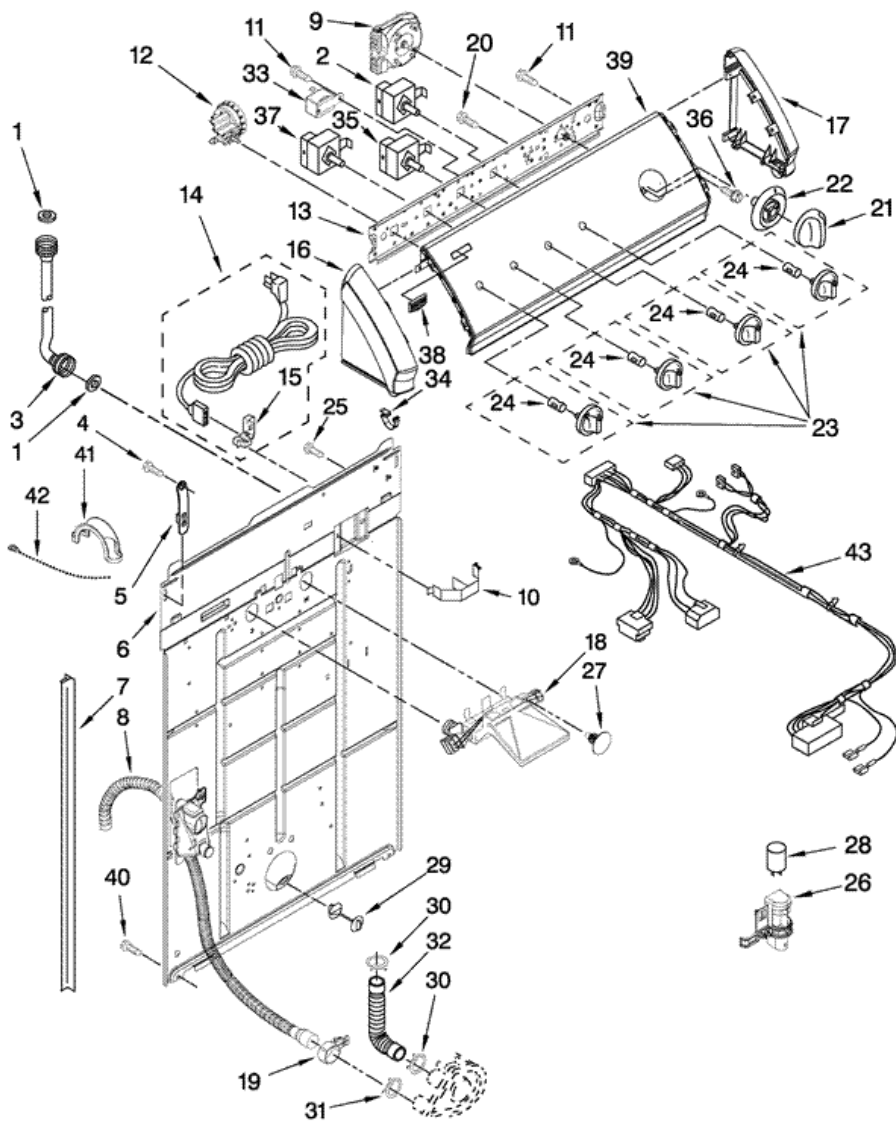
2	8543488	TOP (S/P)
3	62750	SPACER, CABINET TO TOP (S/P)
4	8566266	DISPENSER, BLEACH (S/P)
5	63424	CABINET (S/P)
6	62780	CLIP, TOP & CABINET & REAR PANEL (2)
7	W10168897	LID ASSEMBLY (S/P)
8	3351614	SCREW, GROUND (S/P)
9	680762	NUT, HEX (S/P)
10	W10181289	BUMPER, LID (2) (S/P)
11	8318084	SWITCH, LID
12	W10119828	SCREW, LID HINGE MOUNTING (4) (S/P)
13	8559336	HINGE, LID (L.H.) (S/P)
14	54583	HINGE, LID (R.H.) (S/P)
15	19119	BUMPER, LID HINGE (S/P)
16	8319539	BEARING, LID HINGE (2) (S/P)
17	W10165554	SCREW, 10-16 X 3/8 (4) (S/P)

Distribuidor Autorizado

SurteRápido.com

Venta de Refacciones
Electrodomesticas

7MMMS0100VW1 TABLERO



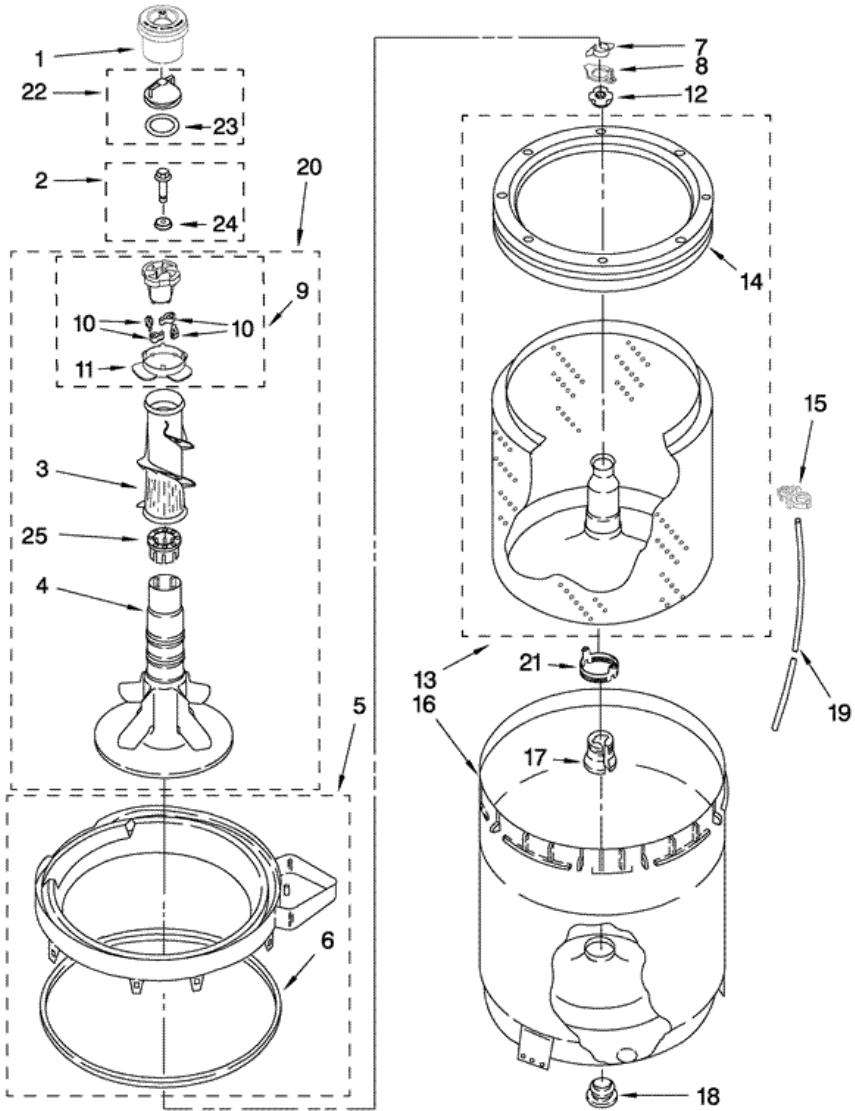


7MMMS0100VW1 TABLERO

1	16123	WASHER, WATER INLET HOSE (4) (S/P)
2	W10168262	SWITCH, ROTARY (S/P)
3	89503	HOSE, WATER INLET (2) (COLD WATER)
3	89503	HOSE, WATER INLET (2) (HOT WATER)
4	9740848	SCREW, 8-18 X 1/2 (S/P)
5	8568314	STRAP, CONSOLE (2) (S/P)
6	W10194450	PANEL, REAR (S/P)
7	62747	PAD, REAR PANEL (S/P)
8	W10189267	DRAIN HOSE ASSEMBLY (INCLUDES ITEM 19) (S/P)
9	8577356	TIMER, CONTROL (60 HZ.)
10	8055003	CLIP, HARNESS & PRESSURE HOSE (S/P)
11	90767	SCREW, 8-18 X 3/8 (S/P)
12	W10339250	SWITCH, WATER LEVEL (S/P)
13	8559504	BRACKET, CONTROL (S/P)
14	W10115689	CORD, POWER (INCLUDES ITEM 15) (S/P)
15	285777	STRAIN RELIEF, POWER CORD (S/P)
16	8559502	CAP, END (L.H.) (INCLUDES ITEM 34) (S/P)
17	8559501	CAP, END (R.H.) (INCLUDES ITEM 34) (S/P)
18	W10140918	VALVE, WATER INLET W/VACUUM BREAK
19	8541668	CLAMP, HOSE (S/P)
20	3400073	SCREW, GROUND (S/P)
21	3956786	KNOB, TIMER (S/P)
22	8559524	DIAL, TIMER (S/P)
23	3956788	KNOB, CONTROL (S/P)
24	8536939	CLIP, KNOB (S/P)
25	3351614	SCREW, GROUND (S/P)
26	8318046	CLIP, CAPACITOR (S/P)
27	8282566	CLIP, PUSH-IN RETAINER (S/P)
28	8572717	CAPACITOR, MOTOR START (S/P)
29	8519200	SUPPORT, REAR PANEL
30	616099	CLAMP, HOSE (S/P)
31	285655	CLAMP, HOSE (S/P)
32	285871	HOSE, PUMP TO TUB (INCLUDES ITEM 30)

33	694419	BUZZER, MINI
34	8312709	CLIP, CONSOLE (2)
35	W10168257	SWITCH, ROTARY (S/P)
36	3400818	SCREW, TIMER MOUNTING (S/P)
37	3950347	SWITCH, WATER TEMPERATURE
38	W10203949	BADGE ASSEMBLY (S/P)
39	W10222532	PANEL, CONSOLE (INCLUDES ITEM 38) (S/P)
40	62863	SCREW, 10-16 X 3/8 (S/P)
41	W10339879	CABLE TIE (S/P)
42	8577378	U-BEND, DRAIN HOSE (S/P)
43	W10224861	HARNESS, WIRING (S/P)

7MMMS0100VW1 TINAS

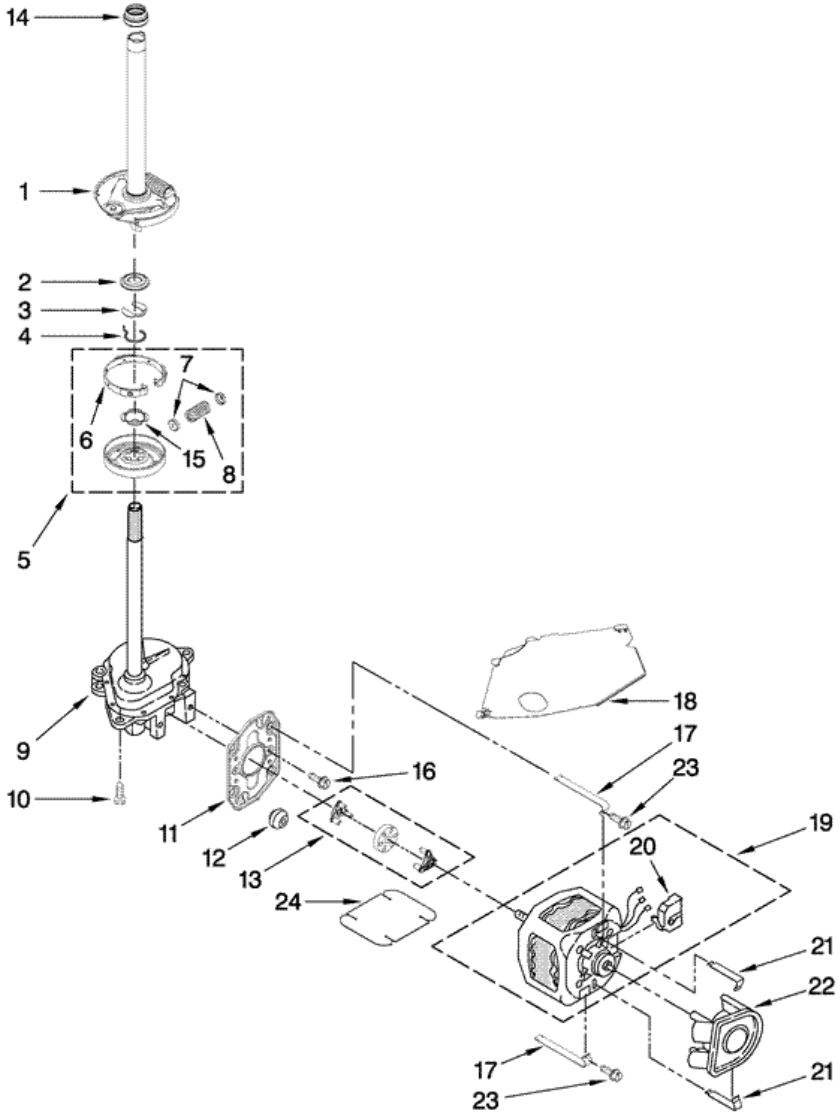




7MMMS0100VW1 TINAS

1	8565968	DISPENSER (S/P)
2	358237	SCREW & WASHER (5/16-24 X 1)
3	3349019	CLOTHES MOVER
4	W10110020	AGITATOR (S/P)
5	W10093698	TUB RING & GASKET (S/P)
6	3976308	GASKET, TUB RING
7	3354845	CLIP, AGITATOR (S/P)
8	8543666	WASHER-AGITATOR (S/P)
9	285811	CAM, DRIVEN
10	285770	DOG, AGITATOR CLUTCH (4)
11	3363661	BEARING-DRIVEN CAM (S/P)
12	21366	NUT, SPANNER
13	W10389328	BASKET & BALANCE RING (S/P)
14	387240	BALANCE RING
15	2219077	CLIP, PRESSURE SWITCH HOSE (S/P)
16	63849	TUB (S/P)
17	389140	BLOCK, BASKET DRIVE
18	383727	GASKET, CENTERPOST
19	353244	HOSE, PRESSURE SWITCH
20	W10093672	AGITATOR (COMPLETE) (S/P)
21	8577198	FILTER, LINT (S/P)
22	285551	CAP, BARRIER COMPRESSION
23	3348855	SEAL, INNER CAP
24	3949550	WASHER (S/P)
25	285587	SPACER, THRUST

7MMMS0100VW1 MOTOR





7MMMS0100VW1 MOTOR

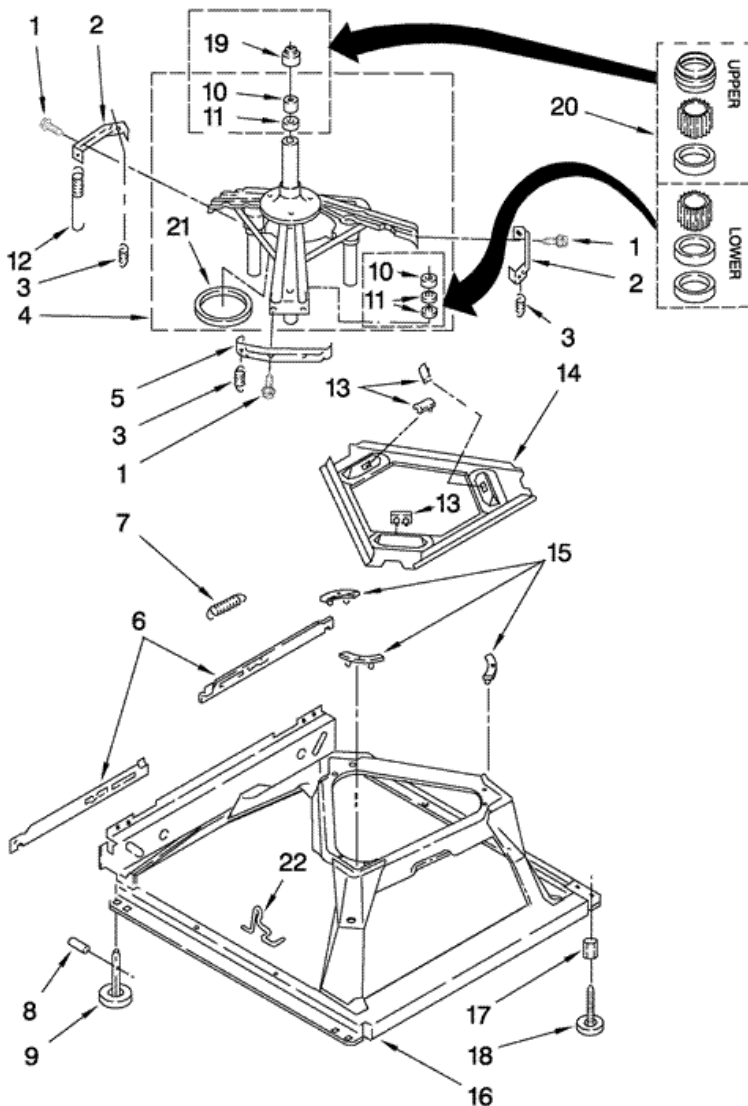
1	285792	BRAKE & DRIVE TUBE (COMPLETE)
2	63292	WASHER, SPIN TUBE THRUST
3	62697	RING, SPIN TUBE SUPPORT
4	28353	RING, RETAINER
5	285785	CLUTCH (COMPLETE)
6	285790	BAND & LINING, CLUTCH (INCLUDES ITEMS 7 & 8)
7	62646	CAP, CLUTCH SPRING (2) (S/P)
8	3946792	SPRING, CLUTCH (S/P)
9	3360629	GEARCASE (COMPLETE)
10	3357334	SCREW, GEARCASE TO BASE (3) (S/P)
11	62611	PLATE, MOTOR MOUNT TO GEARCASE (S/P)
12	62691	GROMMET, MOTOR (4)
13	285753	COUPLING, MOTOR & ISOLATION
14	8577374	SEAL (S/P)
15	3355454	CLIP, ANTI-RATTLE (S/P)
16	3400516	SCREW (S/P)
17	3349637	RETAINER, MOTOR (2)
18	3362089	SHIELD, TUB TO MOTOR (S/P)
19	389248	MOTOR, MAIN DRIVE
20	3952056	SWITCH, MAIN DRIVE MOTOR (S/P)
21	62700	RETAINER, PUMP (2)
22	3363394	PUMP (COMPLETE)
23	3387485	SCREW, 10-16 X 5/8 (S/P)
24	3946532	SHIELD, MOTOR (S/P)

Distribuidor Autorizado

SurteRápido.com

Venta de Refacciones
Electrodomesticas

7MMMS0100VW1 BASE

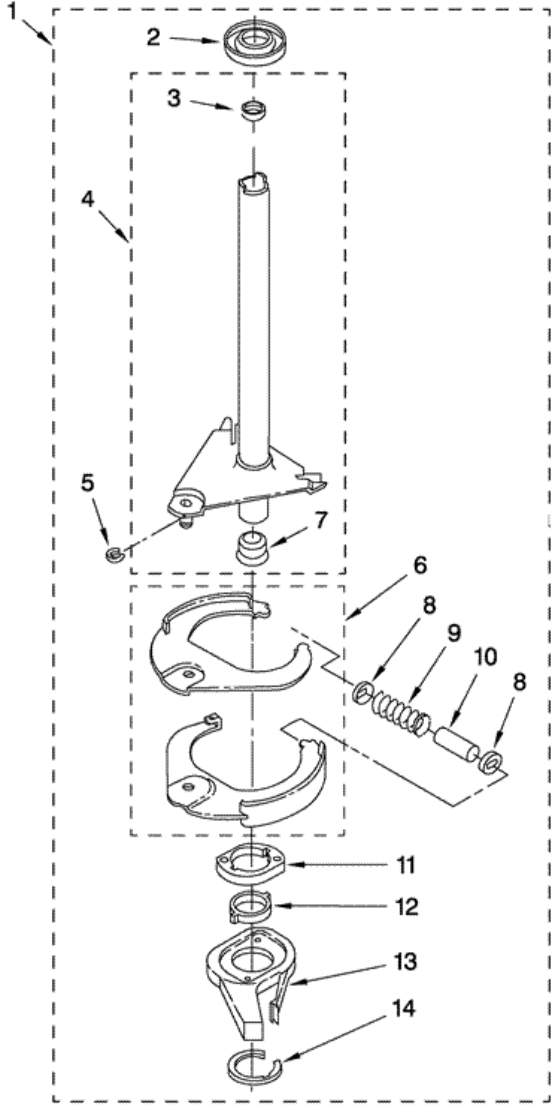




7MMMS0100VW1 BASE

1	3400076	SCREW, BRACKET MOUNTING (10-32 X 5/8) (S/P)
2	64067	BRACKET, SPRING OUTER (2)
3	63907	SPRING SUSPENSION, (3)
4	280184	SUPPORT & BRAKE, TUB (S/P)
5	64065	BRACKET, SPRING OUTER (L.F.)
6	63466	LINK, LEVELING MECHANISM (2) (S/P)
7	8316845	SPRING, LEVELING MECHANISM
8	62837	PIN, KNURLED (S/P)
9	285244	FOOT, REAR (2)
10	8546455	BEARING, CENTERPOST (2) (S/P)
11	359449	SEAL, CENTERPOST (3)
12	388492	SPRING, COUNTERWEIGHT
13	285219	PAD, PLATE
14	3946509	PLATE, SUSPENSION (INCLUDES ITEM 13)
15	285744	PAD, BASE
16	285771	BASE ASSEMBLY
17	3359452	NUT, LOCK (2) (3/8-16) (S/P)
18	389102	FOOT, FRONT (2)
19	91938	SEAL, CENTERPOST
20	285203	CENTERPOST BEARING KIT
21	63134	RING, SOUND DEADENING
22	63806	RETAINER, SUSPENSION SPRING

7MMMS0100VW1 FLECHA HUECA





7MMMS0100VW1 FLECHA HUECA

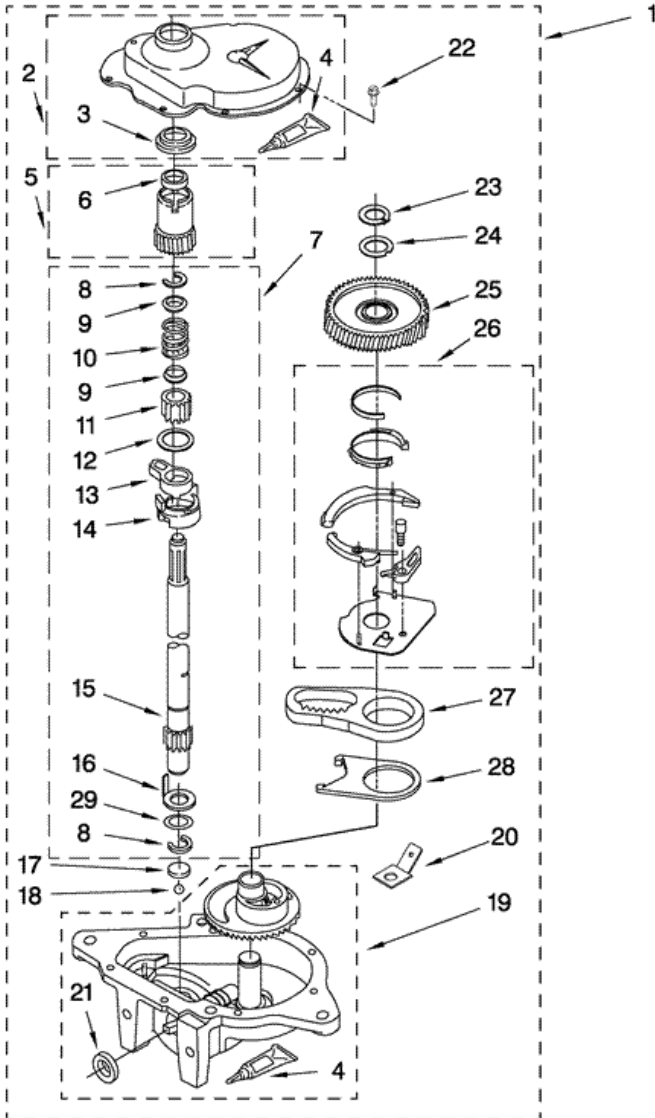
1	285792	BRAKE AND DRIVE TUBE (COMPLETE)
2	62658	RING, THRUST
3	356427	SEAL, DRIVE TUBE
4	285792	TUBE, BASKET DRIVE (INCLUDES ILLUS. 3, 4, 5 & 9)
5	W10083190	RING, RETAINING (S/P)
6	285438	SHOE, BRAKE (2)
7	62703	``T`` BEARING, SPIN TUBE
8	285658	CAP, BRAKE SPRING (2) (S/P)
9	387806	SPRING, BRAKE
10	285658	SLEEVE, BRAKE SPRING (S/P)
11	661516	CAM, BRAKE RELEASE
12	63022	SLEEVE, CAM DESCONTINUADO
13	64194	DRIVER, BRAKE CAM
14	90368	RING, RETAINING
NI	285208	LUBRICANT (S/P)

Distribuidor Autorizado

SurteRápido.com

Venta de Refacciones
Electrodomesticas

7MMMS0100VW1 TRANSMISION





7MMMS0100VW1 TRANSMISION

1	3360629	GEARCASE (COMPLETE)
2	285202	COVER, GEARCASE (S/P)
3	3349985	SEAL, GEARCASE COVER
4	285195	SEALER, GASKET (.20 FL. OZ.) (6 ML) (S/P)
5	285362	PINION, SPIN (INCLUDES ILLUS. 25)
6	356427	SEAL, SPIN PINION
7	389387	SHAFT, AGITATOR (COMPLETE)
8	90369	RING, RETAINING (2)
9	62677	RETAINER, SPRING (2)
10	62676	SPRING, AGITATE DESCONTINUADO
11	285509	GEAR, AGITATE DESCONTINUADO
12	62619	WASHER, AGITATE GEAR (S/P)
13	285206	CAM FOLLOWER (INCLUDES 14)
14	285206	CAM, AGITATE (INCLUDES 13)
15	285509	SHAFT, AGITATOR DESCONTINUADO
16	62618	WASHER, CAM THRUST DESCONTINUADO
17	285205	BEARING, THRUST (INCLUDES 18)
18	285205	BALL, BEARING (INCLUDES 17)
19	285515	BOTTOM AND PINION, GEARCASE DESCONTINUADO
20	3949116	BLOCK TAB, TERMINAL (S/P)
21	285352	SEAL, THRUST PLUG
22	3351614	SCREW, GEARCASE COVER MOUNTING (8) (S/P)
23	285765	RING, RETAINING
24	285735	WASHER KIT, THRUST
25	285362	GEAR, SPIN
26	388253	NEUTRAL ASSEMBLY
27	3949609	RACK, CONNECTING
28	62621	ACTUATOR, SHIFT
29	388815	WASHER, INTERMEDIATE (S/P)