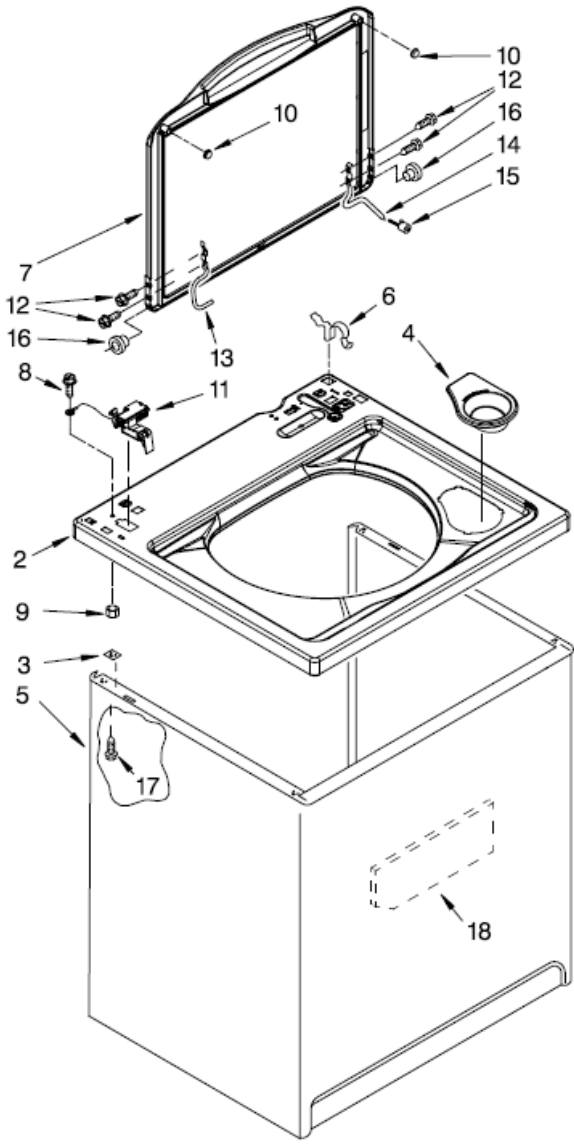


7MMMS0160VW0 GABINETE





7MMMS0160VW0 GABINETE

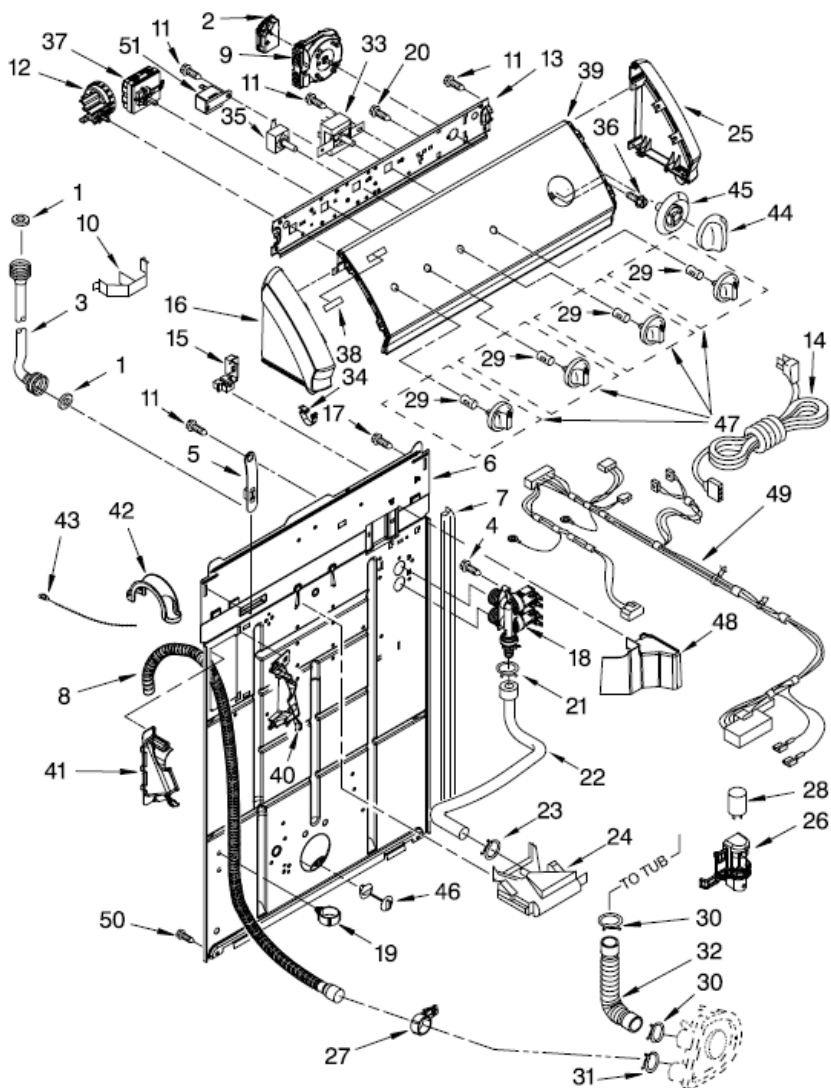
Illus. No.	Part No.	DESCRIPTION
1		Literature Parts
	W10155432	Feature Sheet
	W10096821	Use & Care Guide
	W10155433	Energy Guide (Mexico)
	W10153876	Wiring Diagram
2	8543488	Top
3	62750	Spacer, Cabinet To Top
4	8565967	Dispenser, Bleach
5	63424	Cabinet
6	62780	Clip, Top & Cabinet & Rear Panel (2)
7	W10168897	Lid
8	3351614	Screw, Ground
9	8533959	Nut, Hex
10	W10181289	Bumper, Lid (2)
11	8318084	Switch, Lid
12	W10119828	Screw, Lid Hinge Mounting (4)
13	8559336	Hinge, Lid (L.H.)
14	54583	Hinge, Lid (R.H.)
15	19119	Bumper, Lid Hinge
16	8319539	Bearing, Lid Hinge (2)
17	3390631	Screw, 10-16 x 3/8 (4)
18	3976348	Absorber, Sound

Distribuidor Autorizado

SurteRápido.com

Venta de Refacciones
Electrodomesticas

7MMMS0160VW0 TABLERO

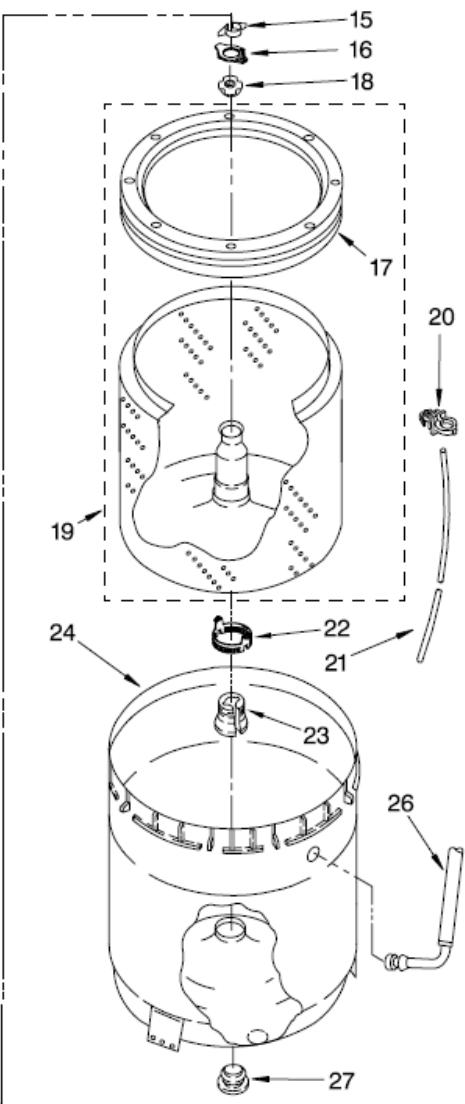
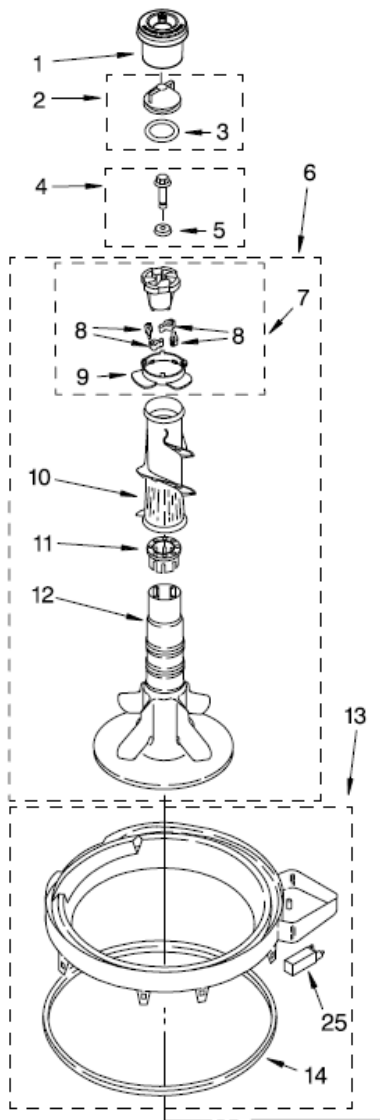




7MMMS0160VW0 TABLERO

Illus. No.	Part No.	DESCRIPTION	Illus. No.	Part No.	DESCRIPTION	Illus. No.	Part No.	DESCRIPTION
1	3976300	Washer, Water Inlet Hose (4) (1-1/16 x 5/8)	16	W10128464	Cap, End (L.H.) (Includes Item 34)	37	W10142639	Switch, Water Temperature (ATC)
2	8578411	Circuit Board, Agitation Delay	17	3351614	Screw, Ground	38	W10112569	Badge Assembly
3		Hose, Water Inlet (2)	18	3979347	Valve, Water Inlet W/Thermistor	39	W10155430	Panel, Console
	8571377	Blue Coupler	19	8541667	Clamp, Hose	40	8541069	Bucket, Drain Hose (Left Half)
	8571378	Red Coupler	20	3400073	Screw, Ground	41	8541058	Bucket, Drain Hose (Right Half)
4	9740848	Screw, 8-18 x 1/2	21	301958	Clamp, Hose	42	8577378	U-Bend, Drain Hose
5	8568314	Strap, Console (2)	22	8317974	Hose, Vacuum Break	43	3347888	Cable Tie
6	8318015	Panel, Rear	23	370450	Clamp, Hose	44	3956786	Knob, Timer
7	62747	Pad, Rear Panel	24	387606	Break, Vacuum	45	8559524	Dial, Timer
8	W10122138	Hose, Drain Assembly (Includes items 19 & 27)	25	W10128463	Cap, End (R.H.) (Includes Item 34)	46	8519200	Support, Rear Panel
9	8577787	Timer, Control (60 Hz.) (Motor Not A Service Part)	26	8318046	Clip, Capacitor	47	3956788	Knob, Control
10	8055003	Clip, Harness & Pressure Hose	27	8541668	Clamp, Leg	48	8314879	Shield, Inlet Valve
11	90767	Screw, 8-18 x 3/8	28	8572717	Capacitor, Motor Start	49	W10152821	Harness, Wiring (Includes Item 33) (For Detail See Pages 9 & 10)
12	8577842	Switch, Water Level	29	8536939	Clip, Knob	50	62863	Screw, 10-16 x 3/8
13	8559504	Bracket, Control	30	3363366	Clamp, Hose	51	694419	Buzzer, Mini
14	W10115689	Cord, Power (Includes Item 15)	31	8317496	Clamp, Hose			
15	3952821	Strain Relief, Power Cord	32	3951449	Hose, Pump To Tub (Includes Item 30)			
			33	8578537	Switch, Rotary			
			34	W10129041	Clip, Console			
			35	3950356	Switch, Rotary			
			36	3400818	Screw, Timer Mounting			

7MMMS0160VW0 TINAS

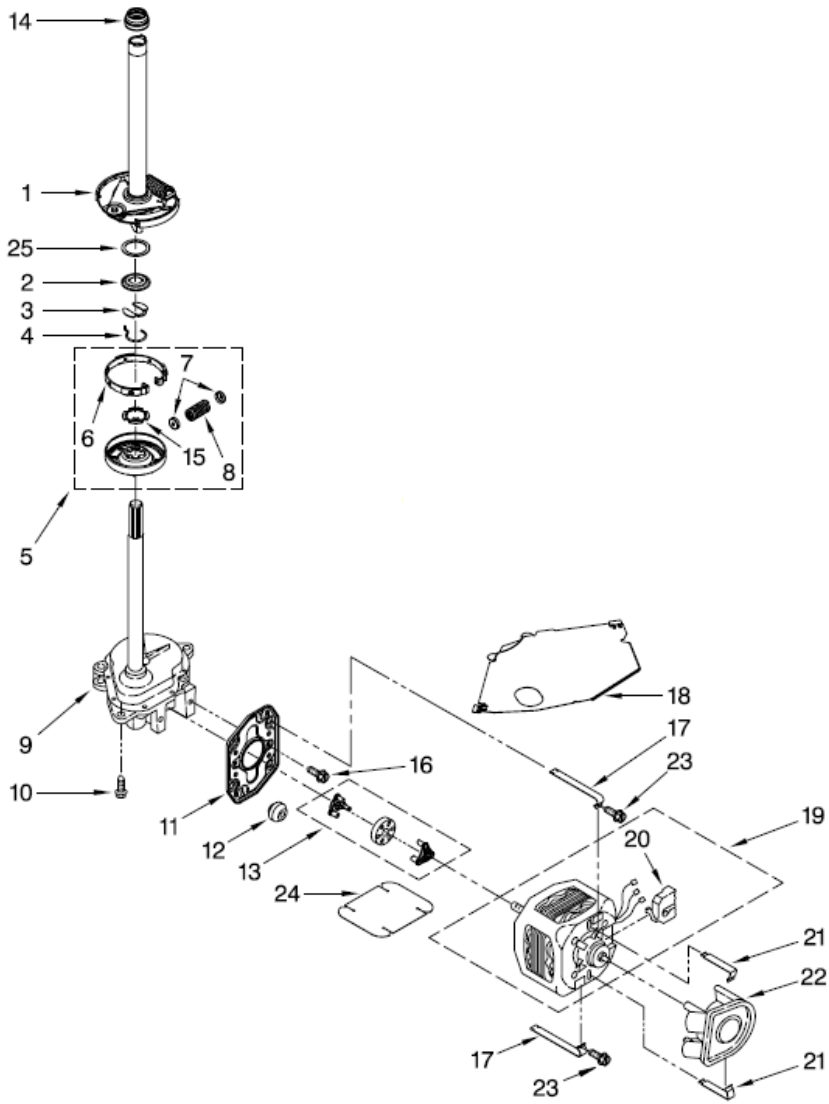




7MMMS0160VW0 TINAS

Illus. No.	Part No.	DESCRIPTION
1	8565968	Dispenser, Fabric Softener
2	3354733	Cap, Barrier
3	W10072840	Seal, Inner Cap
4	358237	Screw & Washer (5/16-24 x 1)
5	3949550	Washer
6	W10093672	Agitator (Complete)
7	3363663	Cam, Driven
8	3366877	Dog, Agitator Clutch (4)
9	3363661	Bearing-Driven Cam
10	3349019	Clothes Mover
11	3350389	Spacer, Thrust
12	W10110020	Agitator
13	3954507	Tub Ring
14	3359585	Gasket, Tub Ring
15	3354845	Clip, Agitator
16	8543666	Washer, Agitator
17	W10118233	Balance Ring
18	W10116602	Nut, Spanner
19	8579546	Basket
20	2219077	Clip, Pressure Switch Hose
21	3347780	Hose, Pressure Switch
22	8577198	Filter, Lint
23	389140	Block, Basket Drive
24	8283125	Tub
25	8318246	Wax Motor
26	3948705	Hose, Bleach
27	383727	Gasket, Centerpost

7MMMS0160VW0 MOTOR





7MMMS0160VW0 MOTOR

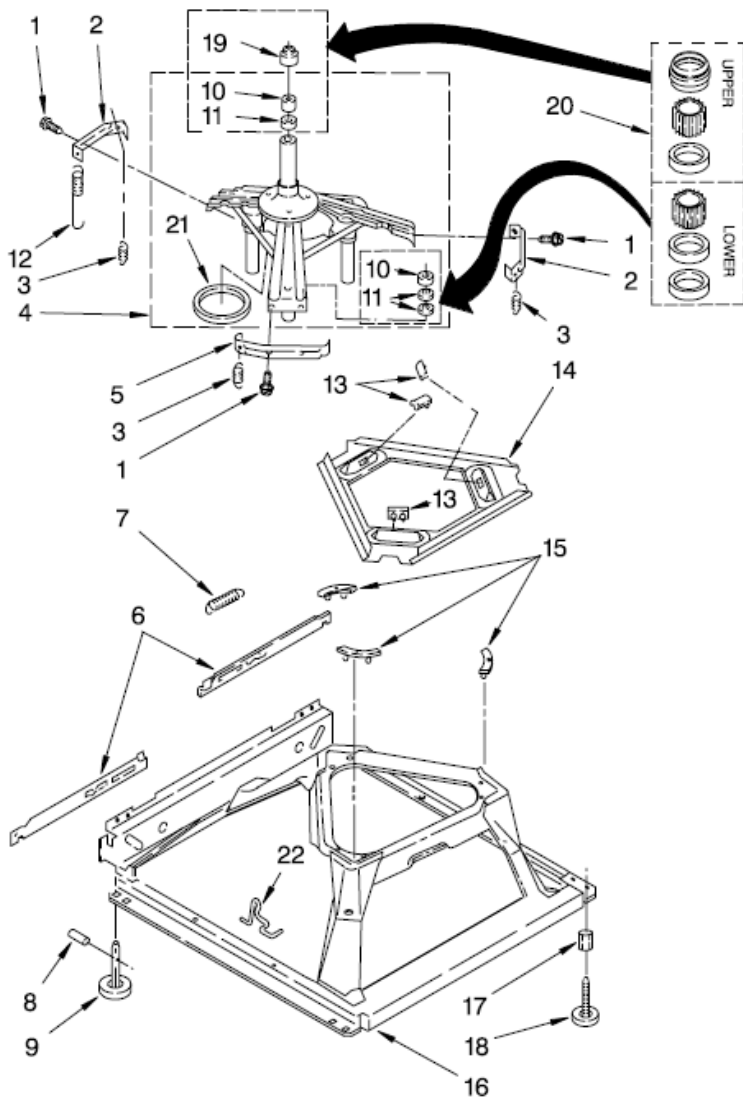
Illus. No.	Part No.	DESCRIPTION	Illus. No.	Part No.	DESCRIPTION
1	388952	Brake & Drive Tube (Complete) (Refer to Page 11 For Further Breakdown)	10	3357334	Screw, Gearcase To Base (3)
2	63292	Washer, Spin Tube Thrust	11	62611	Plate, Motor Mount To Gearcase
3	62697	Ring, Spin Tube Support	12	62691	Grommet, Motor (4)
4	63283	Ring, Retainer	13	3978849	Coupling, Motor & Isolation
5	3951311	Clutch (Complete)	14	8577374	Seal
6	3951308	Band & Lining, Clutch (Includes Items 7 & 8)	15	3355454	Clip, Anti-Rattle
7	62646	Cap, Clutch Spring (2)	16	3400516	Screw
8	3946792	Spring, Clutch	17	W10086010	Retainer, Motor (2)
9	W10155438	Gearcase (Complete) (Refer To Page 12 For Further Breakdown)	18	3362089	Shield, Tub To Motor
			19	8528157	Motor, Main Drive
			20	3952056	Switch, Main Drive Motor
			21	8546127	Retainer, Pump (2)
			22	3363394	Pump (Complete)
			23	3387485	Screw, 10-16 x 5/8
			24	8316060	Shield, Motor
			25	8578981	Washer, Thrust

Distribuidor Autorizado

SurteRápido.com

Venta de Refacciones
Electrodomesticas

7MMMS0160VW0 BASE

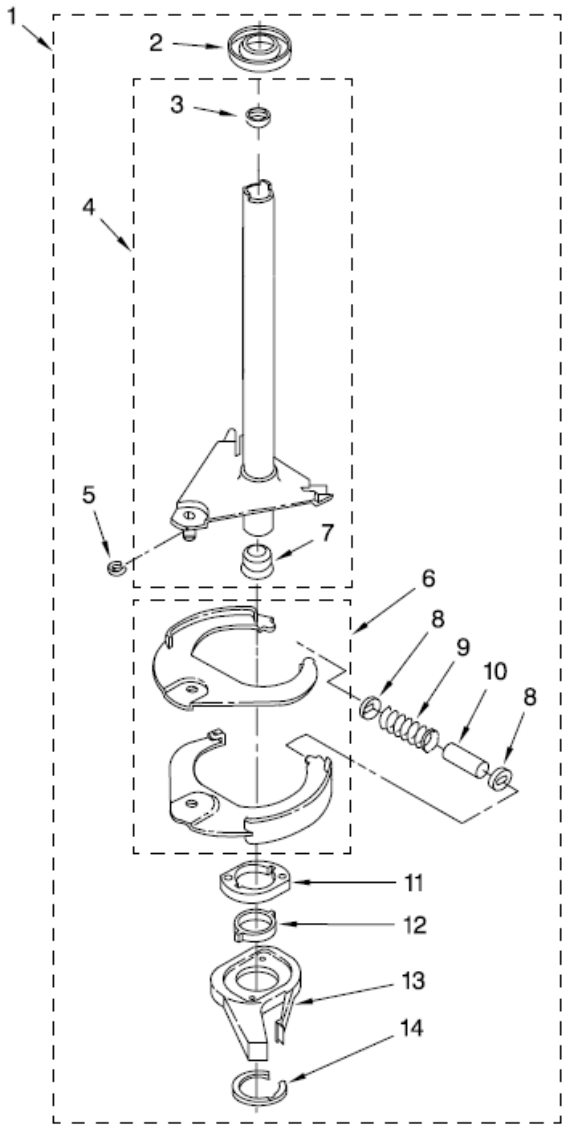




7MMMS0160VW0 BASE

Illus. No.	Part No.	DESCRIPTION
1	3400076	Screw, Bracket Mounting (10-32 x 5/8)
2	64067	Bracket, Spring Outer (2)
3	63907	Spring Suspension,(3)
4	8575214	Support & Brake, Tub
5	64065	Bracket, Spring Outer (L.F.)
6	63466	Link, Leveling Mechanism (2)
7	62597	Spring, Leveling Mechanism
8	62837	Pin, Knurled
9	62596	Foot, Rear (2)
10	8546455	Bearing, Centerpost (2)
11	357409	Seal, Centerpost (3)
12	388492	Spring, Counterweight
13	62568	Pad, Plate
14	3948509	Plate, Suspension (Includes Item 13)
15	3363660	Pad, Base
16	3948512	Base Assembly (Includes Items 6, 7, 8, 9, 13, 14, 15 & 22)
17	3359452	Nut, Lock (2) (3/8-16)
18	W10001130	Foot, Front (2)
19	8577376	Seal, Centerpost
20	285203	Centerpost Bearing Kit (Includes Items 10, 11 & 19)
21	63134	Ring, Sound Deadening
22	W10145155	Retainer, Suspension Spring

7MMMS0160VW0 FLECHA HUECA

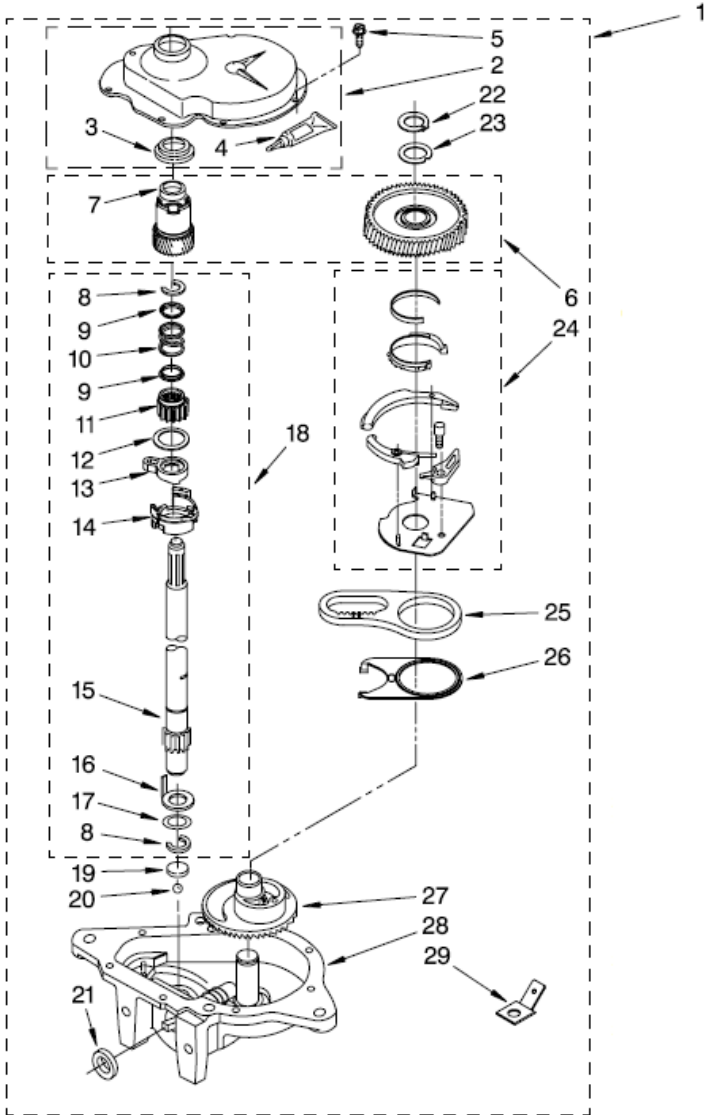




7MMMS0160VW0 FLECHA HUECA

Illus. No.	Part No.	DESCRIPTION
1	388952	Brake And Drive Tube (Complete)
2	62658	Ring, Thrust
3	356427	Seal, Drive Tube
4	64027	Tube, Basket Drive (Includes Illus. 3, 4, 5 & 9)
5	64035	Ring, Retaining
6	64232	Shoe, Brake (2)
7	62703	"T" Bearing, Spin Tube
8	3353956	Cap, Brake Spring (2)
9	387806	Spring, Brake
10	3355360	Sleeve, Brake Spring
11	661516	Cam, Brake Release
12	63022	Sleeve, Cam
13	64194	Driver, Brake Cam
14	90368	Ring, Retaining

7MMMS0160VW0 TRANSMISION





7MMMS0160VW0 TRANSMISION

Illus. No.	Part No.	DESCRIPTION
1	W10155438	Gearcase (Complete)
2	285202	Cover, Gearcase
3	3349985	Seal, Gearcase Cover
4	285195	Sealer, Gasket (.20 Fl. Oz.) (6 ml)
5	3351614	Screw, Gearcase Cover Mounting (8) 10-24 X 3/8
6	W10172898	Spin Pinion & Gear Spin Kit
7		Seal, Spin Pinion (Not Serviceable, Part Of Item 6)
8	90369	Ring, Retaining (2)
9	62677	Retainer, Spring (2)
10	62676	Spring, Agitate
11	W10110245	Gear, Agitate (Includes Items 15 & 17)
12	62619	Washer, Agitate Gear
13	62580	Cam Follower (Includes Item 14)
14	3976349	Cam, Agitate (Includes Item 13)
15	389231	Shaft, Agitator
16	62618	Washer, Cam Thrust
17	388815	Washer, Intermediate
18	389387	Shaft, Agitator Complete
19	16018	Bearing, Thrust
20	85529	Ball Bearing
21	W10111745	Seal, Thrust Plug
22	3362552	Ring, Retaining
23	285766	Washer Kit, Thrust
24	388253	Neutral Assembly
25	8546456	Rack, Connecting
26	62621	Actuator, Shift Gear-Main Drive (Not Serviced Separately)
27		Bottom & Pinion Gearcase (Not Serviced Separately)
28		Terminal, Grounding Tab
29	3949116	