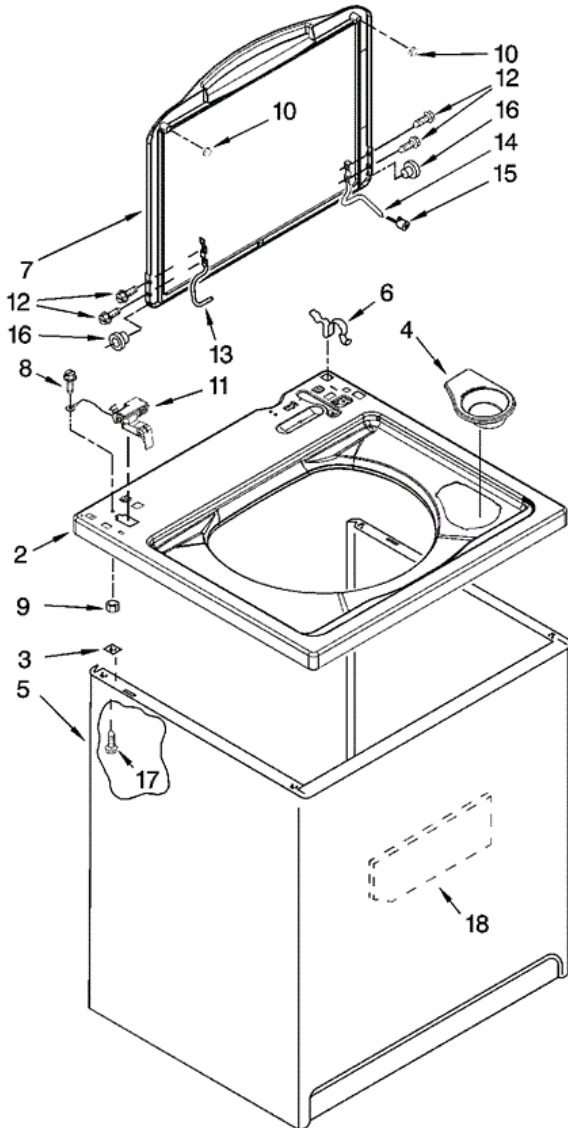


7MMMS0200VW0 GABINETE





7MMMS0200VW0 GABINETE

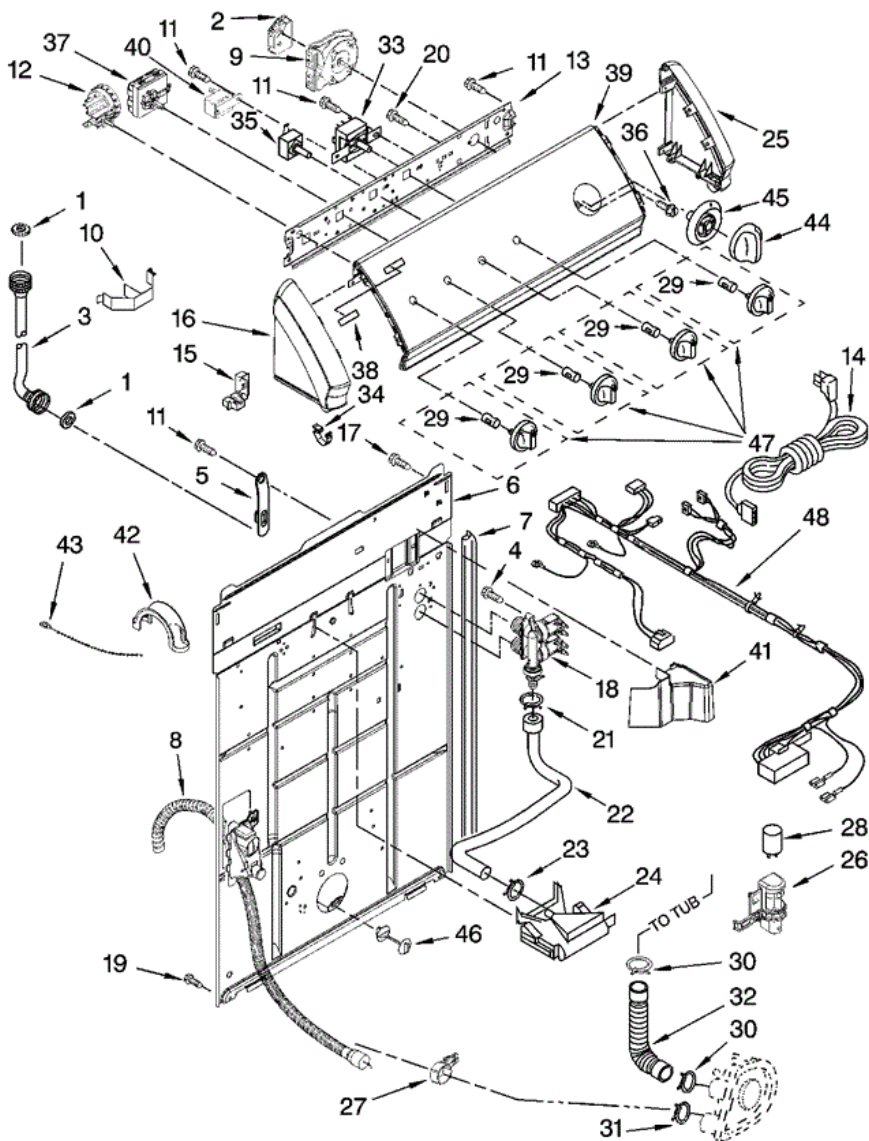
2	8543488	TOP
3	62750	SPACER, CABINET TO TOP
4	8565967	DISPENSER, BLEACH
5	63424	CABINET
6	62780	CLIP, TOP & CABINET & REAR PANEL (2)
7	W10168897	LID
8	3351614	SCREW, GROUND
9	8533959	NUT, HEX
10	W10181289	BUMPER, LID (2)
11	8318084	SWITCH, LID
12	W10119828	SCREW, LID HINGE MOUNTING (4)
13	8559336	HINGE, LID (L.H.)
14	54583	HINGE, LID R.H.
15	19119	BUMPER, LID HINGE
16	8319539	BEARING, LID HINGE (2)
17	3390631	SCREW 10-16 X 3/8 (4)
18	W10177046	CABINET-DAMPER, SOUND

Distribuidor Autorizado

SurteRápido.com

Venta de Refacciones
Electrodomesticas

7MMMS0200VW0 TABLERO



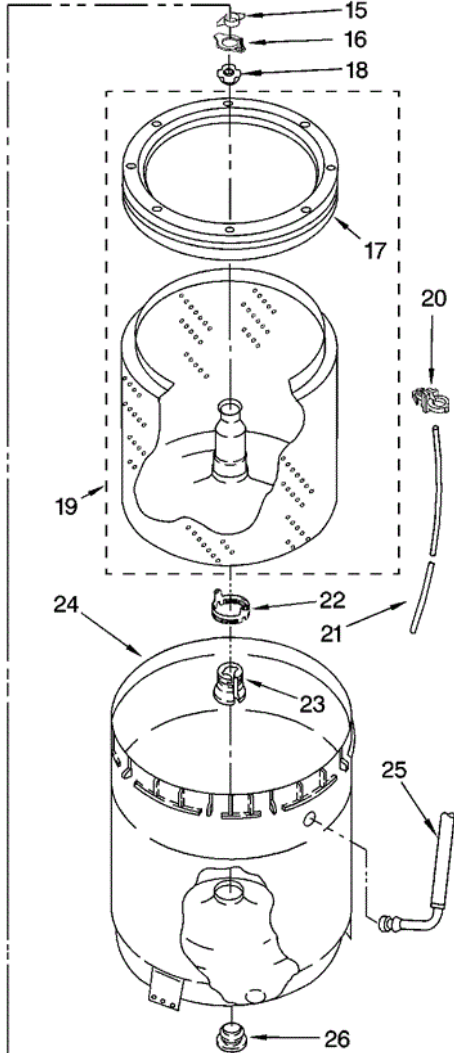
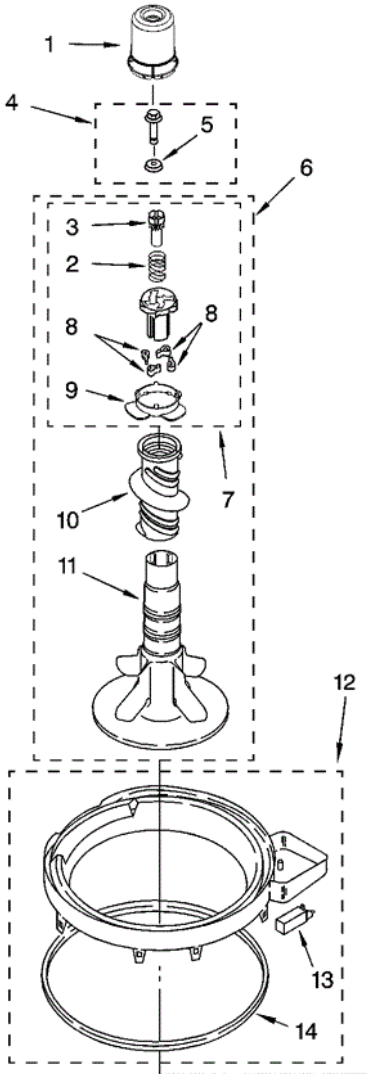


7MMMS0200VW0 TABLERO

1	3976300	WASHER, WATER INLET HOSE (4) 1-1/16 X 5/8
2	8578411	CIRCUIT BOARD, AGITATION DELAY
3	W10194210	HOSE, WATER INLET (2) (COLD WATER)
3	W10196191	HOSE, WATER INLET (2) (HOT WATER)
4	9740848	SCREW, 8-18 X 1/2
5	8568314	STRAP, CONSOLE (2)
6	W10194451	PANEL, REAR
7	62747	PAD, REAR PANEL
8	W10189267	HOSE, DRAIN ASSEMBLY (INCLUDES ITEM 27)
9	8577787	TIMER, CONTROL (60 HZ.)
10	8055003	CLIP, HARNESS & PRESSURE HOSE
11	90767	SCREW, 8-18 X 3/8
12	8577843	SWITCH, WATER LEVEL
13	8559504	BRACKET, CONTROL
14	W10115689	CORD, POWER (INCLUDES ITEM 15)
15	3952821	STRAIN RELIEF, POWER CORD
16	8559502	CAP, END (L.H.) (INCLUDES ITEM 34)
17	3351614	SCREW, GROUND
18	3979347	VALVE, WATER INLET W/THERMISTOR
19	62863	SCREW, 10-16 X 3/8
20	3400073	SCREW, GROUND
21	301958	CLAMP, HOSE
22	8317974	HOSE, VACUUM BREAK
23	370450	CLAMP, HOSE
24	387606	BREAK, VACUUM
25	8559501	CAP, END (R.H.) (INCLUDES ITEM 34)
26	8318046	CLIP, CAPACITOR
27	8541668	CLAMP, LEG
28	8572717	CAPACITOR, MOTOR START
29	8536939	CLIP, KNOB
30	3363366	CLAMP, HOSE
31	8317496	CLAMP, HOSE
32	3951449	HOSE, PUMP TO TUB (INCLUDES ITEM 30)

33	8578537	SWITCH, ROTARY
34	8312709	CLIP, CONSOLE
35	3950356	SWITCH, ROTARY
36	3400818	SCREW, TIMER MOUNTING
37	W10142639	SWITCH, WATER TEMPERATURE (ATC)
38	W10203949	BADGE ASSEMBLY
39	W10208802	PANEL, CONSOLE
40	694419	BUZZER, MINI
41	8314879	SHIELD, INLET VALVE
42	8577378	U-BEND, DRAIN HOSE
43	3347868	CABLE TIE
44	3956786	KNOB, TIMER
45	8559524	DIAL, TIMER
46	8519200	SUPPORT, REAR PANEL
47	3956788	KNOB, CONTROL
48	W10152821	HARNES, WIRING (INCLUDES ITEM 33)

7MMMS0200VW0 TINAS

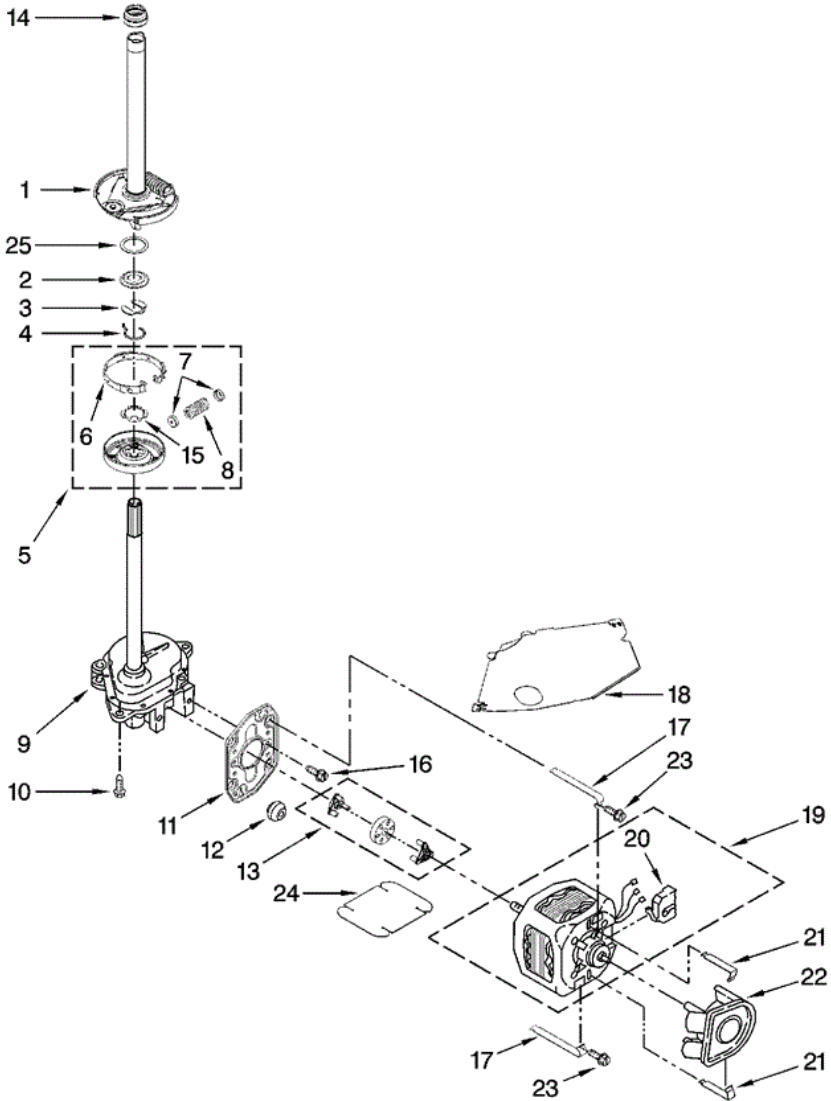




7MMMS0200VW0 TINAS

1	8528278	DISPENSER, FABRIC SOFTENER
2	3946997	SPRING, COMPRESSION
3	8533540	RETAINER, SPRING
4	358237	SCREW & WASHER (5/16-24 X 1)
5	3949550	WASHER
6	8538246	AGITATOR (COMPLETE)
7	8537433	CAM, DRIVEN
8	3366877	DOG, AGITATOR CLUTCH (4)
9	8055141	BEARING-DRIVEN CAM
10	3946996	AUGER, AGITATOR
11	3947517	AGITATOR
12	3954507	TUB RING
13	8318246	WAX MOTOR
14	3359585	GASKET, TUB RING
15	3354845	CLIP, AGITATOR
16	8543666	WASHER, AGITATOR
17	W10118233	BALANCE RING
18	W10116602	NUT, SPANNER
19	8579546	BASKET
20	2219077	CLIP, PRESSURE SWITCH HOSE
21	3347780	HOSE, PRESSURE SWITCH
22	8577198	FILTER, LINT
23	389140	BLOCK, BASKET DRIVE
24	8283125	TUB
25	3948705	HOSE, BLEACH
26	383727	GASKET, CENTERPOST

7MMMS0200VW0 MOTOR





7MMMS0200VW0 MOTOR

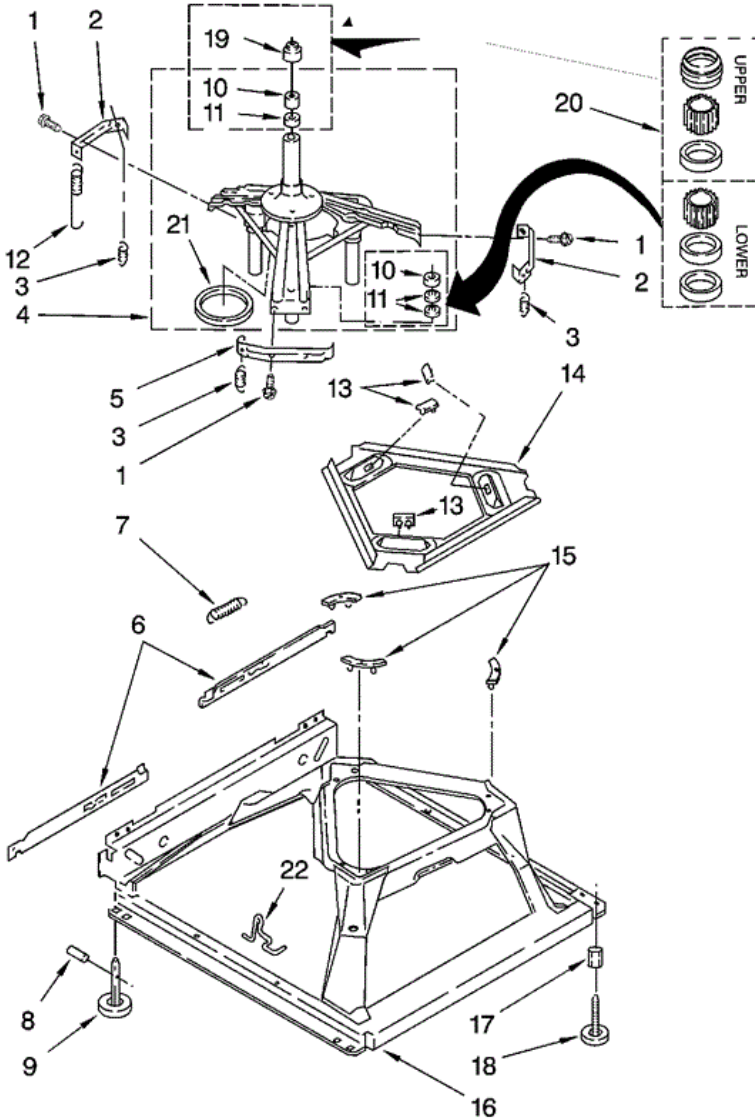
1	388952	BRAKE & DRIVE TUBE (COMPLETE)
2	63292	WASHER, SPIN TUBE THRUST
3	62697	RING, SPIN TUBE SUPPORT
4	63283	RING, RETAINER
5	3951311	CLUTCH (COMPLETE)
6	3951308	BAND & LINING, CLUTCH (INCLUDES ITEMS 7 & 8)
7	62646	CAP, CLUTCH SPRING (2)
8	3946792	SPRING, CLUTCH
9	W10155438	GEARCASE (COMPLETE)
10	3357334	SCREW, GEARCASE TO BASE (3)
11	62611	PLATE, MOTOR MOUNT TO GEARCASE
12	62691	GROMMET, MOTOR (4)
13	3978849	COUPLING, MOTOR & ISOLATION
14	8577374	SEAL
15	3355454	CLIP, ANTI- RATTLE
16	3400516	SCREW
17	W10086010	RETAINER, MOTOR (2)
18	3362089	SHIELD, TUB TO MOTOR
19	8528157	MOTOR, MAIN DRIVE
20	3952056	SWITCH, MAIN DRIVE MOTOR
21	8546127	RETAINER, PUMP (2)
22	3363394	PUMP (COMPLETE)
23	3387485	SCREW, 10-16 X 5/8
24	8316060	SHIELD, MOTOR
25	8578981	WASHER, THRUST

Distribuidor Autorizado

SurteRápido.com

Venta de Refacciones
Electrodomesticas

7MMMS0200VW0 BASE

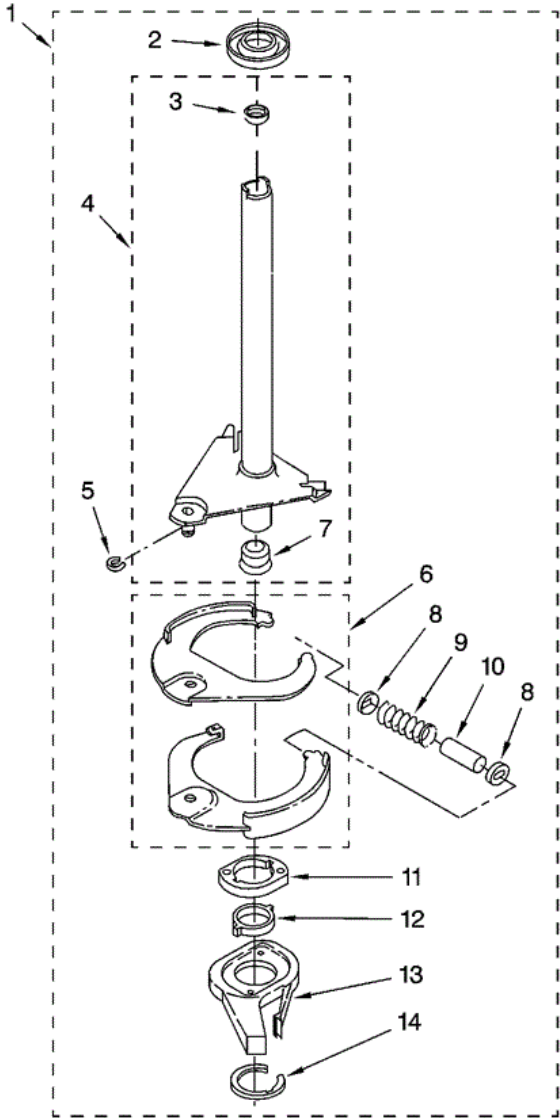




7MMMS0200VW0 BASE

1	3400076	SCREW, BRACKET MOUNTING (10-32 X 5/8)
2	64067	BRACKET, SPRING OUTER (2)
3	63907	SPRING, SUSPENSION(3)
4	8575214	SUPPORT & BRAKE, TUB
5	64065	BRACKET, SPRING OUTER (L.F.)
6	63466	LINK, LEVELING MECHANISM (2)
7	62597	SPRING, LEVELING MECHANISM
8	62837	PIN, KNURLED
9	62596	FOOT, REAR (2)
10	8546455	BEARING, CENTERPOST (2)
11	357409	SEAL, CENTERPOST (3)
12	388492	SPRING, COUNTERWEIGHT
13	62568	PAD, PLATE
14	3946509	PLATE, SUSPENSION (INCLUDES ITEM 13)
15	3363660	PAD, BASE
16	3946512	BASE ASSEMBLY
17	3359452	NUT, LOCK (2) (3/8-16)
18	W10001130	FOOT, FRONT (2)
19	8577376	SEAL, CENTERPOST
20	285203	CENTERPOST BEARING KIT (INCLUDES 10, 11 & 19)
21	63134	RING, SOUND DEADENING
22	W10145155	RETAINER, SUSPENSION SPRING

7MMMS0200VW0 FLECHA HUECA

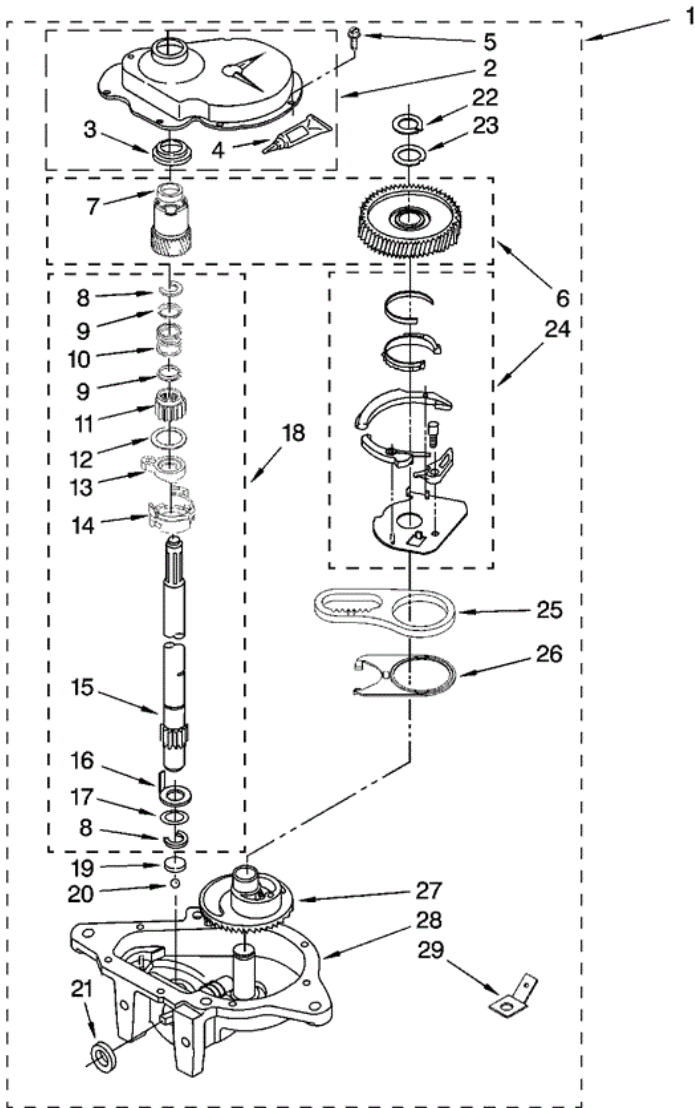




7MMMS0200VW0 FLECHA HUECA

1	388952	BRAKE AND DRIVE TUBE (COMPLETE)
2	62658	RING, THRUST
3	356427	SEAL, DRIVE TUBE
4	64027	TUBE, BASKET DRIVE (INCLUDES ILLUS. 3, 4, 5 & 9)
5	64035	RING, RETAINING
6	64232	SHOE, BRAKE (2)
7	62703	``T`` BEARING, SPIN TUBE
8	3353956	CAP, BRAKE SPRING (2)
9	387806	SPRING, BRAKE
10	3355360	SLEEVE, BRAKE SPRING
11	661516	CAM, BRAKE RELEASE
12	63022	SLEEVE, CAM
13	64194	DRIVER, BRAKE CAM
14	90368	RING, RETAINING

7MMMS0200VW0 TRANSMISION





7MMMS0200VW0 TRANSMISION

1	W10155438	GEARCASE (COMPLETE)
2	285202	COVER, GEARCASE
3	3349985	SEAL, GEARCASE COVER
4	285195	SEALER, GASKET (.20 FL. OZ.) (6 ML)
5	3351614	SCREW, GEARCASE COVER, MOUNTING (8)
6	W10172898	SPIN PINION & GEAR SPIN KIT
7		SEAL, SPIN PINION
8	90369	RING, RETAINING (2)
9	62677	RETAINER, SPRING (2)
10	62676	SPRING, AGITATE
11	W10110245	GEAR, AGITATE (INCLUDES ITEMS 15 & 17)
12	62619	WASHER, AGITATE GEAR
13	62580	CAM FOLLOWER (INCLUDES ITEM 14)
14	3976349	CAM, AGITATE (INCLUDES ITEM 13)
15	389231	SHAFT, AGITATOR
16	62618	WASHER, CAM THRUST
17	388815	WASHER, INTERMEDIATE
18	389387	SHAFT, AGITATOR (COMPLETE)
19	16018	BEARING, THRUST
20	85529	BALL BEARING
21	W10111745	SEAL, THRUST PLUG
22	3362552	RING, RETAINING
23	285766	WASHER KIT, THRUST
24	388253	NEUTRAL ASSEMBLY
25	8546456	RACK, CONNECTING
26	62621	ACTUATOR, SHIFT
27		GEAR-MAIN DRIVE (NOT SERVICED SEPARATELY)
28		BOTTOM & PINION GEARCASE
29	3949116	TERMINAL, GROUNDING TAB