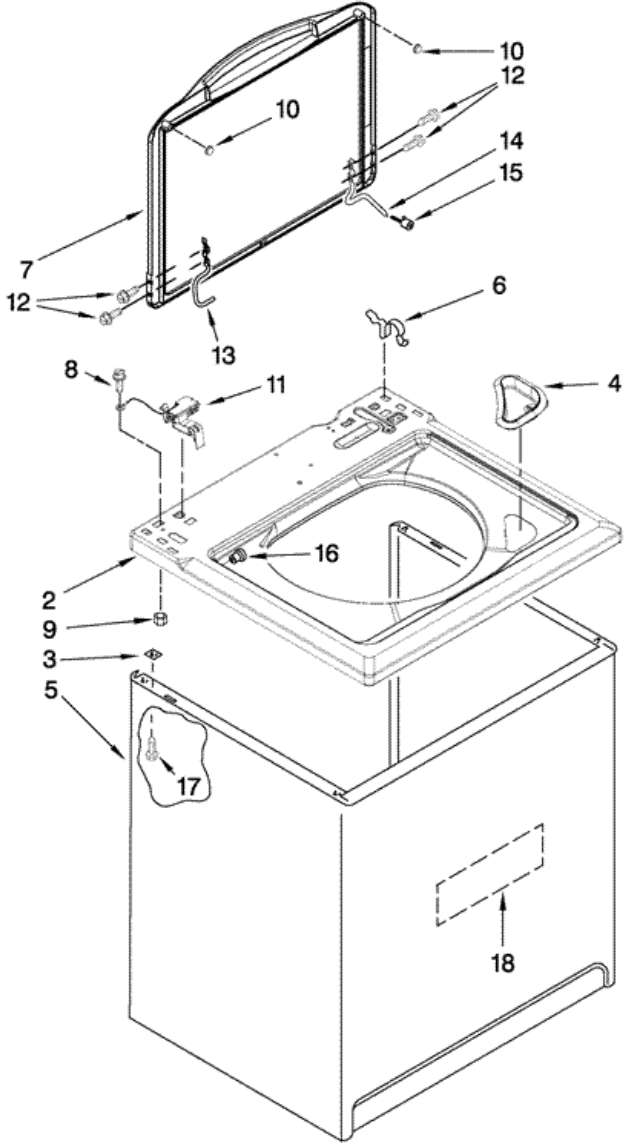


7MMMS0560WW0 GABINETE





7MMMS0560WW0 GABINETE

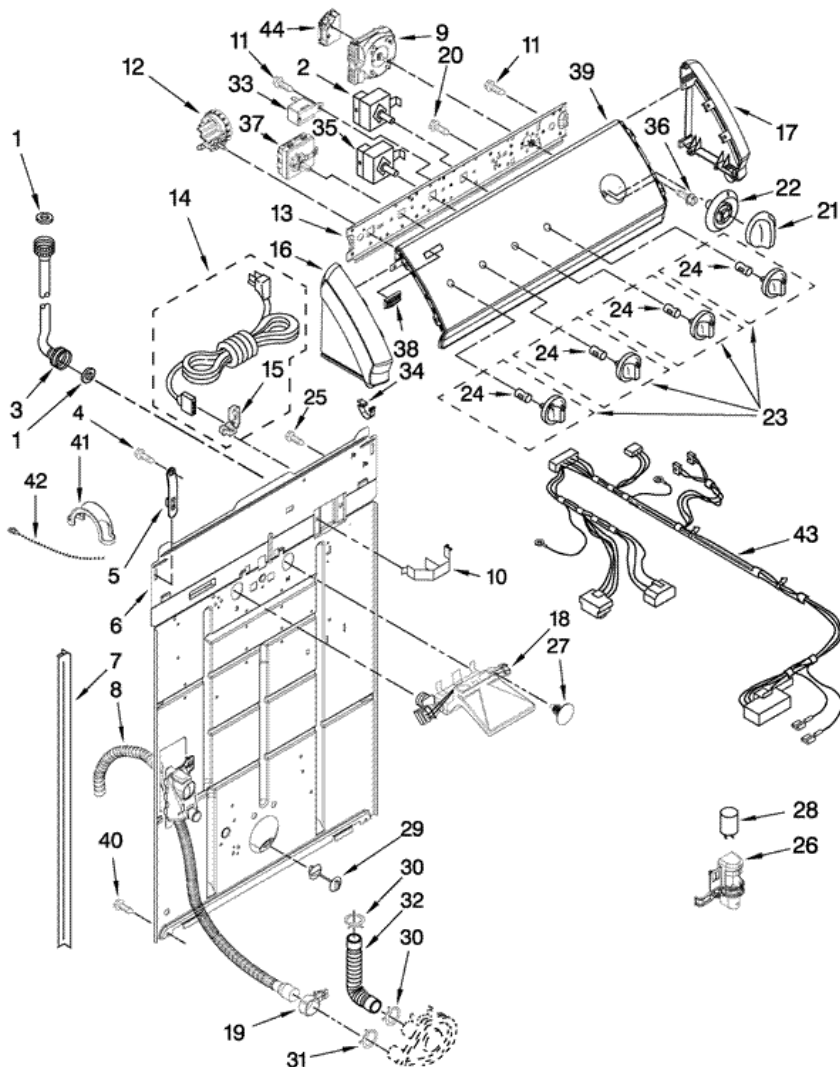
2	W10194868	TOP (S/P)
3	62750	SPACER, CABINET TO TOP (S/P)
4	W10192089	DISPENSER, BLEACH (S/P)
5	63424	CABINET (S/P)
6	62780	CLIP, TOP & CABINET & REAR PANEL (2)
7	W10168897	LID ASSEMBLY (S/P)
8	3351614	SCREW, GROUND (S/P)
9	680762	NUT, HEX (S/P)
10	W10181289	BUMPER, LID (2) (S/P)
11	8318084	SWITCH, LID
12	W10119828	SCREW, LID HINGE MOUNTING (4) (S/P)
13	8559336	HINGE, LID (L.H.) (S/P)
14	54583	HINGE, LID (R.H.) (S/P)
15	19119	BUMPER, LID HINGE (S/P)
16	8319539	BEARING, LID HINGE (2) (S/P)
17	W10165554	SCREW, 10-16 X 3/8 (4) (S/P)
18	W10177046	CABINET-DAMPER, SOUND (S/P)

Distribuidor Autorizado

SurteRápido.com

Venta de Refacciones
Electrodomesticas

7MMMS0560WW0 TABLERO



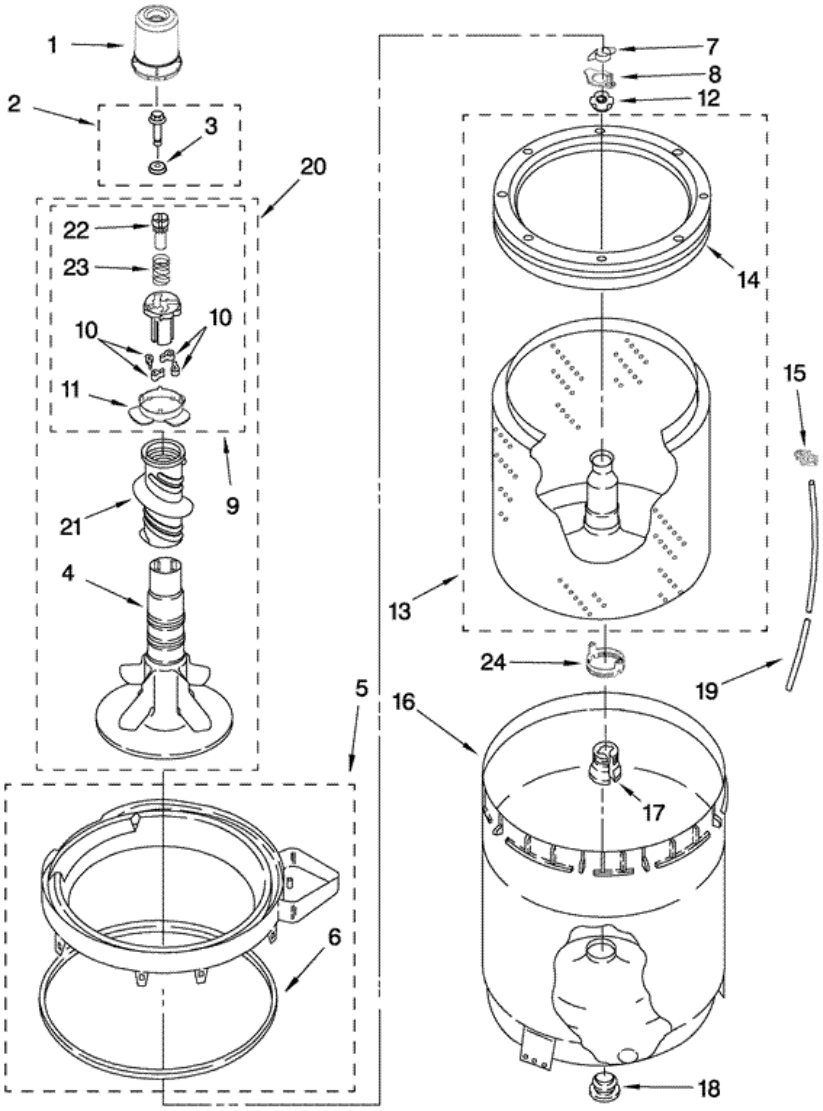


7MMMS0560WW0 TABLERO

1	16123	WASHER, WATER INLET HOSE (4) 1-1/16 X 5/8) (S/P)
2	W10163674	SWITCH, ROTARY (S/P)
3	89503	HOSE, WATER INLET (2) (COLD WATER)
3	89503	HOSE, WATER INLET (2) (HOT WATER)
4	9740848	SCREW, 8-18 X 1/2 (S/P)
5	8568314	STRAP, CONSOLE (2) (S/P)
6	W10194450	PANEL, REAR (S/P)
7	62747	PAD, REAR PANEL (S/P)
8	W10189267	HOSE, DRAIN ASSEMBLY (INCLUDES ITEM 19) (S/P)
9	8577787	TIMER, CONTROL (60 HZ.)
10	8055003	CLIP, HARNESS & PRESSURE HOSE (S/P)
11	90767	SCREW, 8-18 X 3/8 (S/P)
12	8577843	SWITCH, WATER LEVEL
13	8559504	BRACKET, CONTROL (S/P)
14	W10115689	CORD, POWER (INCLUDES ITEM 15) (S/P)
15	285777	STRAIN RELIEF, POWER CORD (S/P)
16	8559502	CAP, END (L.H.) (INCLUDES ITEM 34) (S/P)
17	8559501	CAP, END (R.H.) (INCLUDES ITEM 34) (S/P)
18	W10144820	VALVE, WATER INLET W/THERMISTOR (S/P)
19	8541668	CLAMP, HOSE (S/P)
20	3400073	SCREW, GROUND (S/P)
21	W10169849	KNOB, TIMER (S/P)
22	W10169848	DIAL, TIMER (S/P)
23	W10192636	KNOB, CONTROL (S/P)
24	8536939	CLIP, KNOB (S/P)
25	3351614	SCREW, GROUND (S/P)
26	8318046	CLIP, CAPACITOR (S/P)
27	8282566	CLIP, PUSH-IN RETAINER (S/P)
28	8572717	CAPACITOR, MOTOR START (S/P)
29	8519200	SUPPORT, REAR PANEL
30	616099	CLAMP, HOSE (S/P)
31	285655	CLAMP, HOSE (S/P)
32	285871	HOSE, PUMP TO TUB (INCLUDES ITEM 30)

33	694419	BUZZER, MINI (S/P)
34	8312709	CLIP, CONSOLE (2)
35	3950356	SWITCH, ROTARY (S/P)
36	3400818	SCREW, TIMER MOUNTING (S/P)
37	W10142639	SWITCH, WATER TEMPERATURE (ATC) (S/P)
38	W10153170	BADGE ASSEMBLY (S/P)
39	W10244059	PANEL, CONSOLE (INCLUDES ITEM 38) (S/P)
40	62863	SCREW, 10-16 X 3/8 (S/P)
41	8577378	U-BEND, DRAIN HOSE (S/P)
42	W10339879	CABLE TIE (S/P)
43	W10248265	HARNESS, WIRING (S/P)
44	8578411	CIRCUIT BOARD, AGITATION DELAY (S/P)

7MMMS0560WW0 TINAS

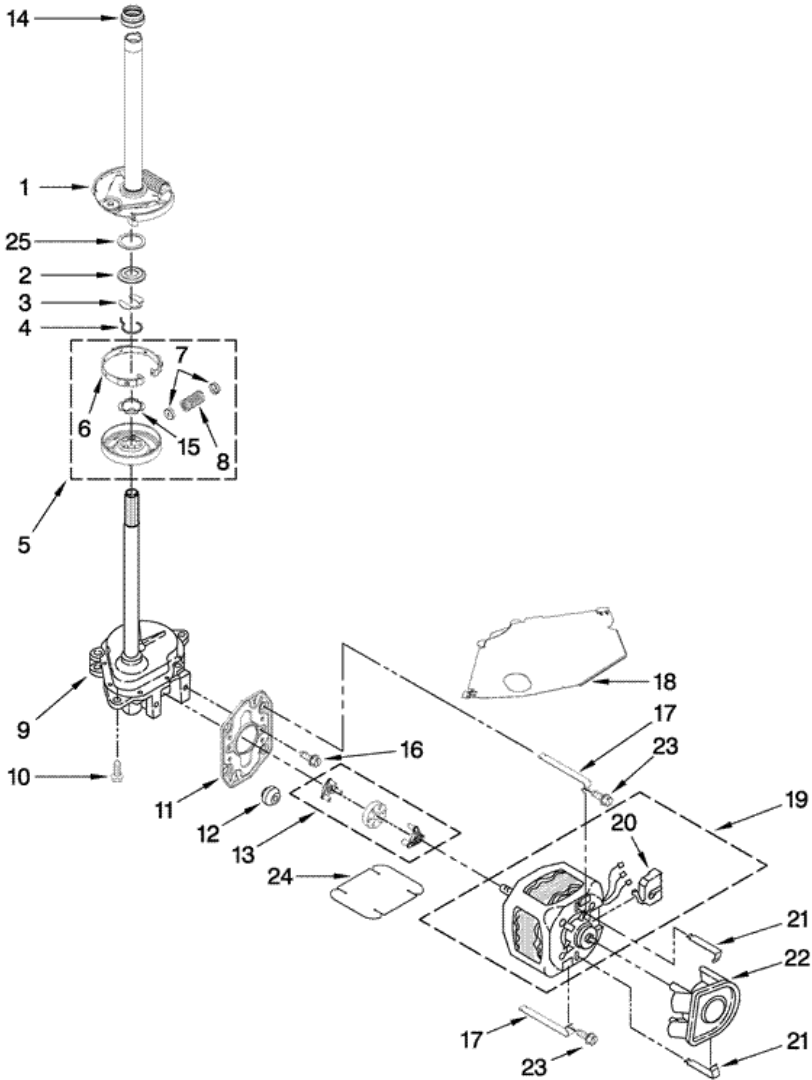




7MMMS0560WW0 TINAS

1	8528278	DISPENSER, FABRIC SOFTENER
2	358237	SCREW & WASHER (5/16-24 X 1)
3	3949550	WASHER (S/P)
4	3947517	AGITATOR
5	8528150	TUB RING & GASKET
6	3976308	GASKET, TUB RING
7	3354845	CLIP, AGITATOR (S/P)
8	8543666	WASHER-AGITATOR (S/P)
9	8537433	CAM, DRIVEN (S/P)
10	285770	DOG, AGITATOR CLUTCH (4)
11	8055141	BEARING-DRIVEN CAM (S/P)
12	W10116602	NUT, SPANNER (S/P)
13	W10006327	BASKET & BALANCE RING (S/P)
14	W10006326	BALANCE RING
15	2219077	CLIP, PRESSURE SWITCH HOSE (S/P)
16	63849	TUB (S/P)
17	389140	BLOCK, BASKET DRIVE
18	383727	GASKET, CENTERPOST
19	353244	HOSE, PRESSURE SWITCH
20	8538246	AGITATOR (COMPLETE) (S/P)
21	3946996	AUGER, AGITATOR (S/P)
22	8533540	RETAINER, SPRING (S/P)
23	3946997	SPRING, COMPRESSION (S/P)
24	8577198	FILTER, LINT (S/P)

7MMMS0560WW0 MOTOR





7MMMS0560WW0 MOTOR

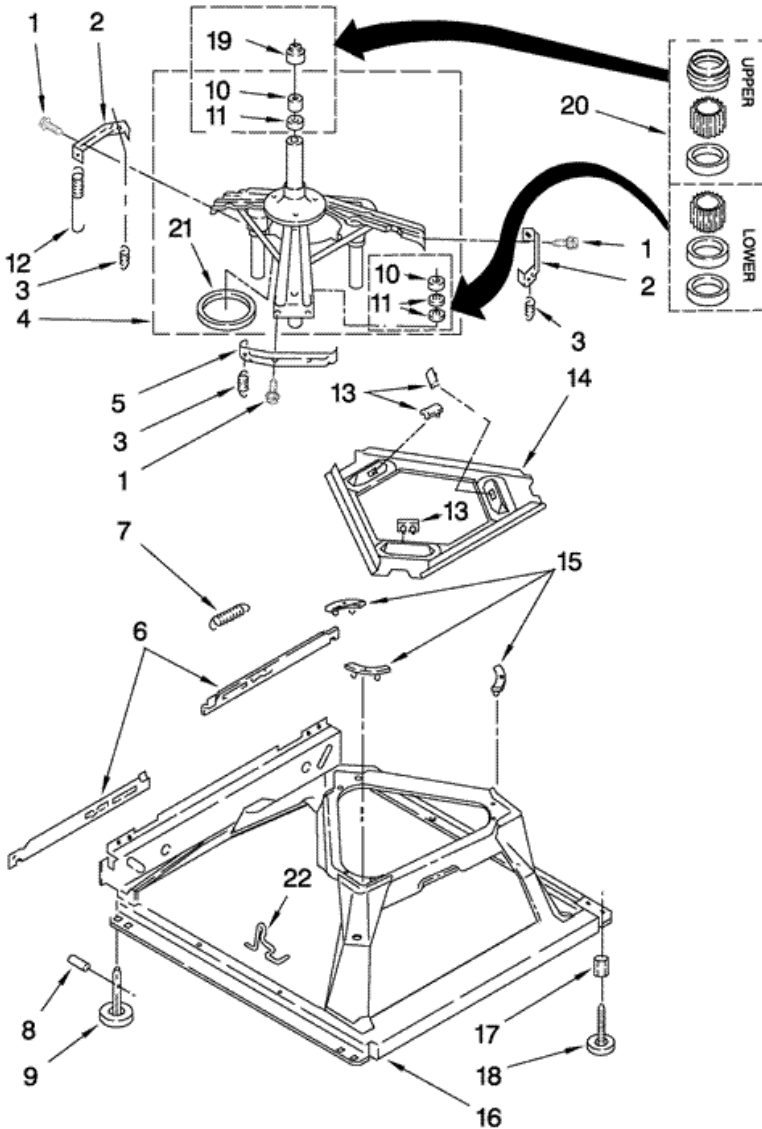
1	285792	BRAKE & DRIVE TUBE (COMPLETE)
2	63292	WASHER, SPIN TUBE THRUST
3	62697	RING, SPIN TUBE SUPPORT
4	285353	RING, RETAINER
5	285785	CLUTCH (COMPLETE)
6	285790	BAND & LINING, CLUTCH (INCLUDES ITEMS 7 & 8)
7	62646	CAP, CLUTCH SPRING (2)
8	3946792	SPRING, CLUTCH
9	W10140307	GEARCASE (COMPLETE)
10	3357334	SCREW, GEARCASE TO BASE (3)
11	62611	PLATE, MOTOR MOUNT TO GEARCASE
12	62691	GROMMET, MOTOR (4)
13	285753	COUPLING, MOTOR & ISOLATION
14	8577374	SEAL
15	3355454	CLIP, ANTI-RATTLE
16	3400516	SCREW
17	W10086010	RETAINER, MOTOR (2)
18	3362089	SHIELD, TUB TO MOTOR
19	389248	MOTOR, MAIN DRIVE
20	3952056	SWITCH, MAIN DRIVE MOTOR
21	62700	RETAINER, PUMP (2)
22	3363394	PUMP (COMPLETE)
23	3387485	SCREW, 10-16 X 5/8
24	3946532	SHIELD, MOTOR
25	8578981	WASHER, THRUST

Distribuidor Autorizado

SurteRápido.com

Venta de Refacciones
Electrodomesticas

7MMMS0560WW0 BASE

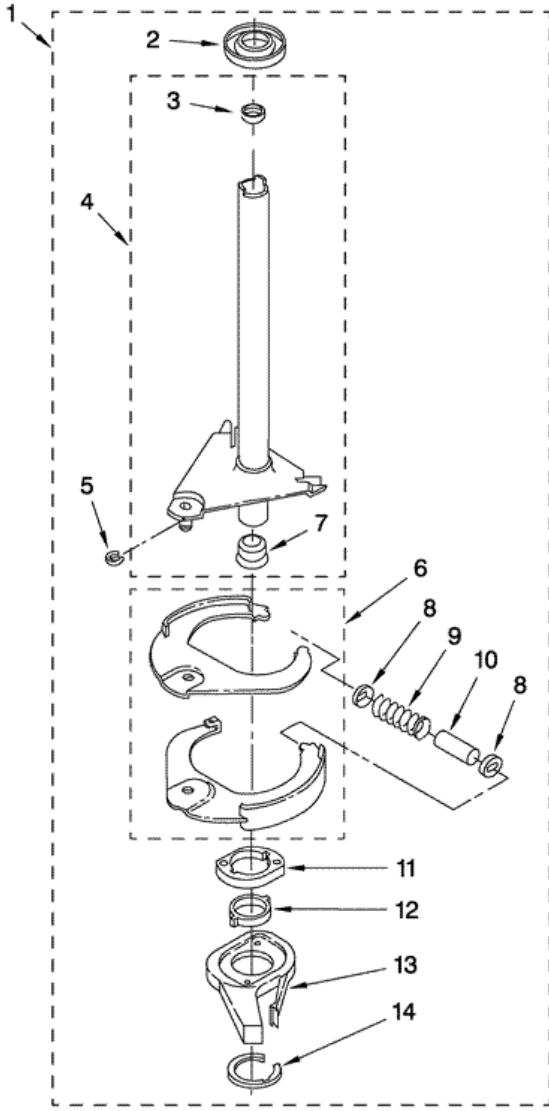




7MMMS0560WW0 BASE

1	3400076	SCREW, BRACKET MOUNTING (10-32 X 5/8) (S/P)
2	64067	BRACKET, SPRING OUTER (2)
3	63907	SPRING SUSPENSION, (3)
4	280184	SUPPORT & BRAKE, TUB
5	64065	BRACKET, SPRING OUTER (L.F.)
6	63466	LINK, LEVELING MECHANISM (2) (S/P)
7	8316845	SPRING, LEVELING MECHANISM
8	62837	PIN, KNURLED (S/P)
9	285244	FOOT, REAR (2)
10	8546455	BEARING, CENTERPOST (2) (S/P)
11	359449	SEAL, CENTERPOST (3)
12	388492	SPRING, COUNTERWEIGHT
13	285219	PAD, PLATE
14	3946509	PLATE, SUSPENSION (INCLUDES ITEM 13)
15	285744	PAD, BASE
16	285771	BASE ASSEMBLY
17	3359452	NUT, LOCK (2) (3/8-16) (S/P)
18	389102	FOOT, FRONT (2)
19	91938	SEAL, CENTERPOST
20	285203	CENTERPOST BEARING KIT
21	63134	RING, SOUND DEADENING
22	63806	RETAINER, SUSPENSION SPRING

7MMMS0560WW0 FLECHA HUECA





7MMMS0560WW0 FLECHA HUECA

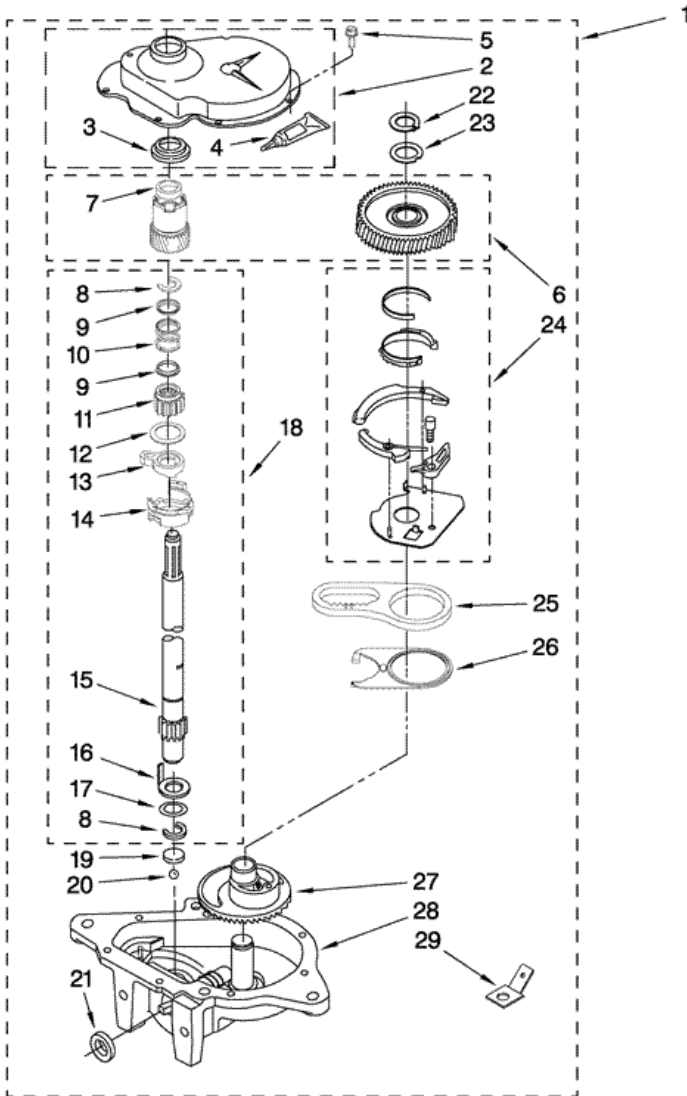
1	285792	BRAKE AND DRIVE TUBE (COMPLETE)
2	62658	RING, THRUST
3	356427	SEAL, DRIVE TUBE
4	285792	TUBE, BASKET DRIVE (INCLUDES ILLUS. 3, 4, 5 & 9)
5	W10083190	RING, RETAINING (S/P)
6	285438	SHOE, BRAKE (2)
7	62703	``T`` BEARING, SPIN TUBE
8	285658	CAP, BRAKE SPRING (2) (S/P)
9	387806	SPRING, BRAKE DESCONTINUADO
10	285658	SLEEVE, BRAKE SPRING (S/P)
11	661516	CAM, BRAKE RELEASE
12	63022	SLEEVE, CAM DESCONTINUADO
13	64194	DRIVER, BRAKE CAM
14	90368	RING, RETAINING
NI	285208	LUBRICANT (S/P)

Distribuidor Autorizado

SurteRápido.com

Venta de Refacciones
Electrodomesticas

7MMMS0560WW0 TRANSMISION





7MMMS0560WW0 TRANSMISION

1	W10155438	GEARCASE (COMPLETE) (S/P)
2	285202	COVER, GEARCASE (S/P)
3	3349985	SEAL, GEARCASE COVER
4	285195	SEALER, GASKET (.20 FL. OZ.) (6 ML) (S/P)
5	3351614	SCREW, GEARCASE COVER MOUNTING (S/P)
6	W10172898	SPIN PINION & GEAR SPIN KIT (S/P)
7	*****	SEAL, SPIN PINION (NOT SERVICED)
8	90369	RING, RETAINING (2)
9	62677	RETAINER, SPRING (2)
10	62676	SPRING, AGITATE
11	W10110245	GEAR, AGITATE DESCONTINUADO
12	62619	WASHER, AGITATE GEAR (S/P)
13	62580	CAM FOLLOWER (INCLUDES ITEM 14)
14	3976349	CAM, AGITATE (INCLUDES ITEM 13)
15	389231	SHAFT, AGITATOR DESCONTINUADO
16	62618	WASHER, CAM THRUST
17	388815	WASHER, INTERMEDIATE DESCONTINUADO
18	389387	SHAFT, AGITATOR COMPLETE (S/P)
19	16018	BEARING, THRUST
20	85529	BALL BEARING
21	W10111745	SEAL, THRUST PLUG
22	3362552	RING, RETAINING
23	285766	WASHER KIT, THRUST
24	388253	NEUTRAL ASSEMBLY
25	8546456	RACK, CONNECTING
26	62621	ACTUATOR, SHIFT
27	*****	GEAR-MAIN DRIVE (NOT SERVICED)
28	*****	BOTTOM & PINION GEARCASE (NOT SERVICED)
29	3949116	TERMINAL, GROUNDING TAB (S/P)