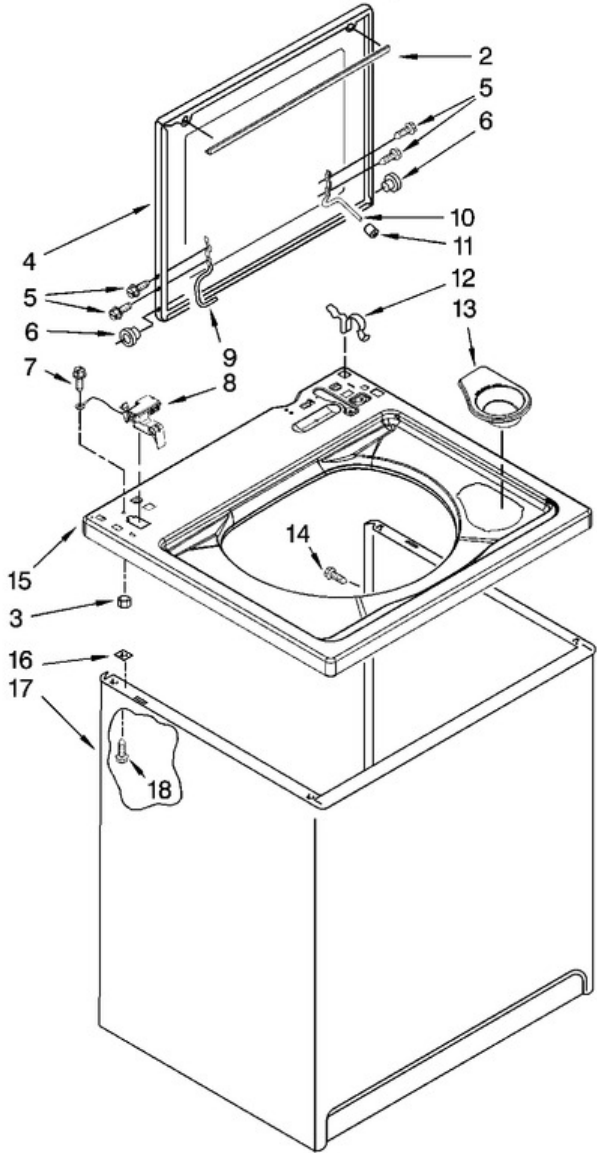


**7MMPD6634TQ0 GABINETE**





## 7MMPD6634TQ0 GABINETE

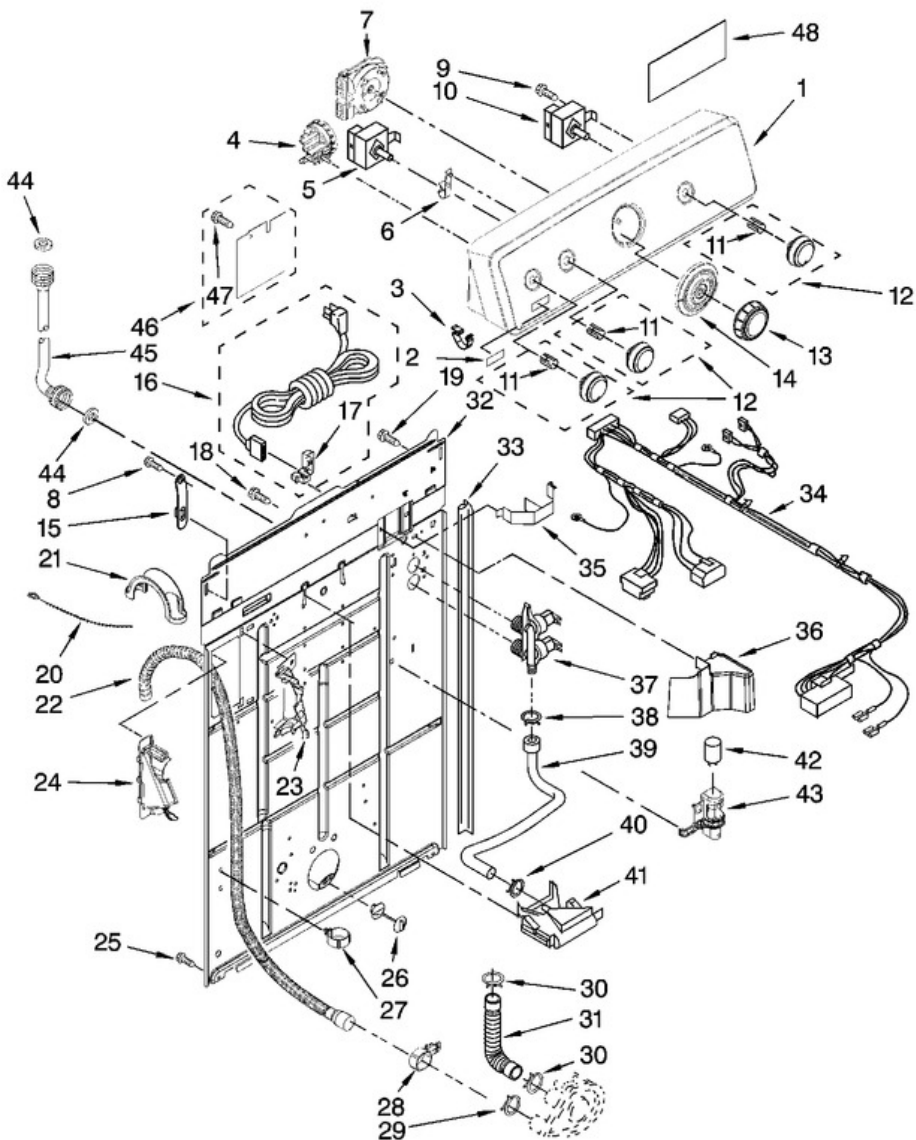
2	8054939	SEAL, LID
3	680762	NUT, HEX (S/P)
4	W10193865	LID (S/P)
5	W10119828	SCREW, LID HINGE MOUNTING (4) (S/P)
6	8319539	BEARING, LID HINGE (2) (S/P)
7	3351614	SCREW, GROUND (S/P)
8	8318084	SWITCH, LID
9	8559336	HINGE, LID (L.H.) (S/P)
10	54583	HINGE, LID (R.H.) (S/P)
11	19119	BUMPER, LID HINGE (S/P)
12	62780	CLIP, TOP & CABINET & REAR PANEL (2)
13	8565967	DISPENSER, BLEACH (S/P)
14	3357011	SCREW, 10-16 X 1/2 (S/P)
15	8543488	TOP (S/P)
16	62750	SPACER, CABINET TO TOP (4) (S/P)
17	63424	CABINET (S/P)
18	3390631	SCREW, 10-16 X 3/8 (4) (S/P)

Distribuidor Autorizado

SurteRápido.com

Venta de Refacciones  
Electrodomesticas

## 7MMPD6634TQ0 TABLERO



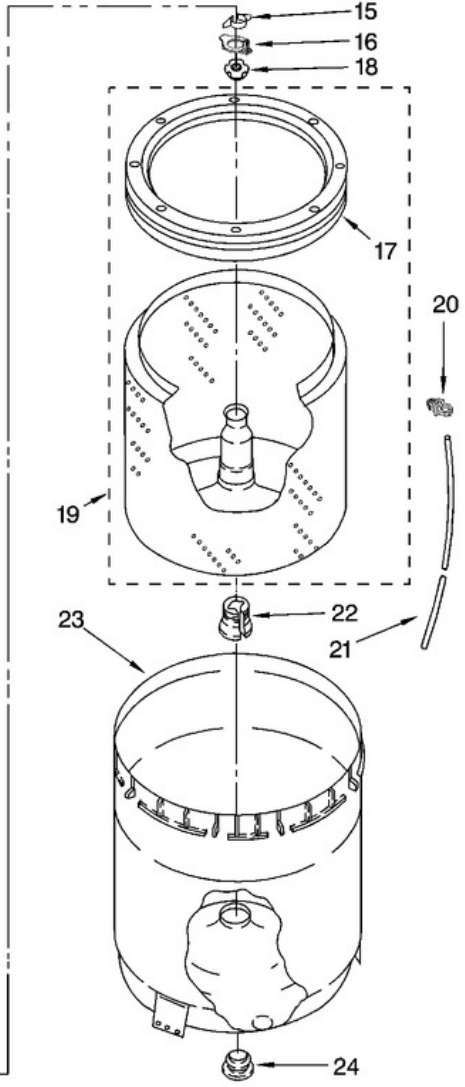
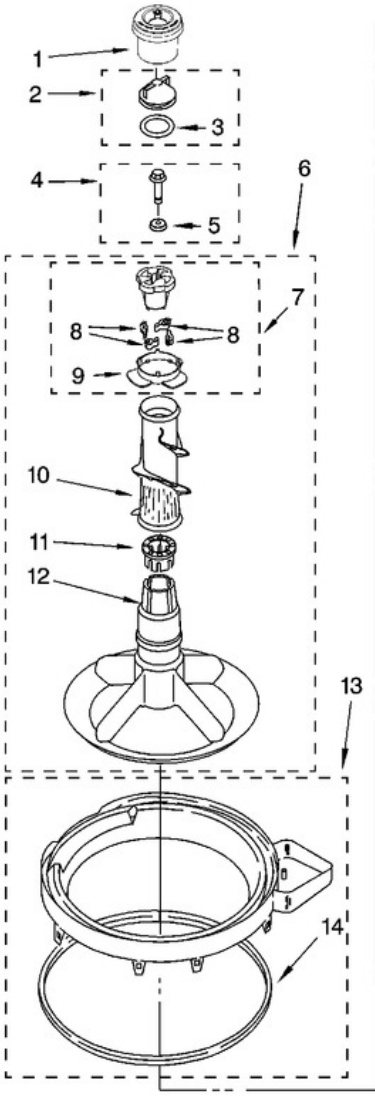


## 7MMPD6634TQ0 TABLERO

1	W10115392	CONSOLE & SHELL ASSEMBLY (S/P)
2	W10203949	BADGE ASSEMBLY (S/P)
3	8312709	CLIP, CONSOLE (2)
4	W10339251	SWITCH, WATER LEVEL (S/P)
5	W10168256	SWITCH, WATER TEMPERATURE
6	8317975	RETAINER, HARNESS (S/P)
7	W10111389	TIMER (MOTOR NOT A SERVICE PART)
8	90767	SCREW, 8-18 X 3/8 (S/P)
9	3400073	SCREW, GROUND (S/P)
10	W10168262	SWITCH, ROTARY (S/P)
11	8536939	CLIP, KNOB (S/P)
12	W10110029	KNOB, CONTROL (S/P)
13	W10110027	KNOB, TIMER (S/P)
14	W10110028	DIAL, TIMER (S/P)
15	8568314	STRAP, CONSOLE (S/P)
16	W10115689	CORD, POWER (S/P)
17	285777	STRAIN RELIEF, POWER CORD (S/P)
18	9740848	SCREW, 8-18 X 1/2 (S/P)
19	3351614	SCREW, GROUND (S/P)
20	W10339879	CABLE TIE (S/P)
21	8577378	U-BEND, DRAIN HOSE (S/P)
22	280162	DRAIN HOSE ASSEMBLY (INCLUDES ITEMS 27 & 28)
23	8541669	BUCKET, DRAIN HOSE (LEFT HALF) (S/P)
24	8541658	BUCKET, DRAIN HOSE (RIGHT HALF) (S/P)
25	62863	SCREW, 10-16 X 3/8 (S/P)
26	8519200	SUPPORT, REAR PANEL
27	8541667	CLAMP, HOSE (S/P)
28	8541668	CLAMP, HOSE (S/P)
29	285655	CLAMP, HOSE (S/P)
30	616099	CLAMP, HOSE (S/P)
31	285871	HOSE, PUMP TO TUB (INCLUDES ITEM 30)
32	8318015	PANEL, REAR (S/P)
33	62747	PAD, REAR PANEL (S/P)

34	W10118799	HARNESS, WIRING (S/P)
35	8055003	CLIP, HARNESS & PRESSURE HOSE (S/P)
36	8314879	SHIELD, SUDS (S/P)
37	285805	VALVE, WATER MIXING
38	596669	CLAMP, HOSE (S/P)
39	3357328	HOSE, VACUUM BREAK
40	596669	CLAMP, HOSE (S/P)
41	3360977	BREAK, VACUUM
42	8572717	CAPACITOR, MOTOR START (S/P)
43	8318046	CLIP, CAPACITOR (S/P)
44	16123	WASHER, WATER INLET HOSE (4) (S/P)
45	89503	HOSE, WATER INLET (2) (BLUE COUPLER)
45	89503	HOSE, WATER INLET (2) (RED COUPLER)
46	W10093726	SHIELD, ASSEMBLY LOWER (S/P)
47	8282566	RIVET (S/P)

**7MMPD6634TQ0 TINAS**

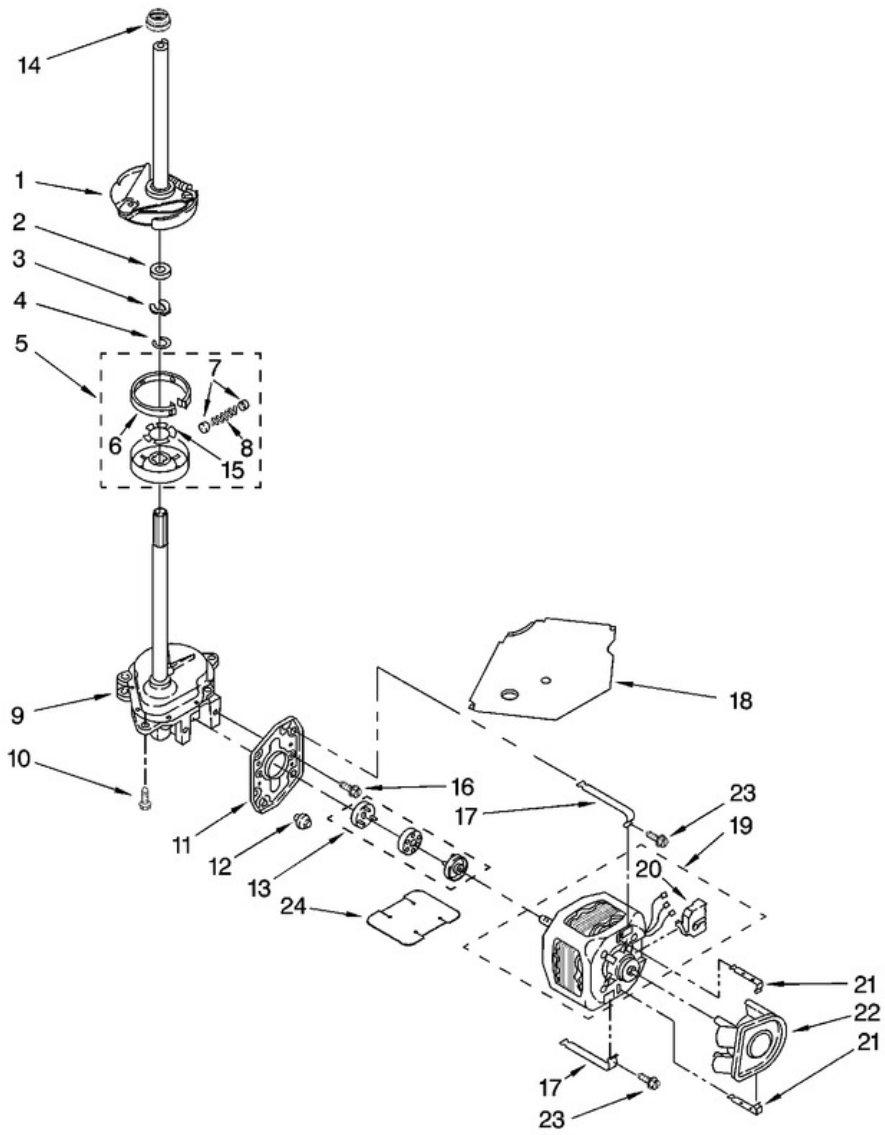




## 7MMPD6634TQ0 TINAS

1	8575076	DISPENSER, FABRIC SOFTENER (S/P)
2	285551	CAP, BARRIER
3	3348855	SEAL, INNER CAP
4	358237	SCREW & WASHER (5/16-24 X 1)
5	3949550	WASHER (S/P)
6	W10093696	AGITATOR (COMPLETE) (S/P)
7	285809	CAM, DRIVEN
8	285770	DOG, AGITATOR CLUTCH (4)
9	3952374	BEARING, DRIVEN CAM (S/P)
10	3951744	CLOTHES MOVER
11	3951608	SPACER, THRUST
12	W10093695	AGITATOR (S/P)
13	W10093698	TUB RING (S/P)
14	3976308	GASKET, TUB RING
15	3354845	CLIP, AGITATOR (S/P)
16	8543666	WASHER, AGITATOR (S/P)
17	387240	BALANCE RING
18	21366	NUT, SPANNER
19	8526016	BASKET & BALANCE RING (S/P)
20	2219077	CLIP, PRESSURE SWITCH HOSE (S/P)
21	353244	HOSE, PRESSURE SWITCH
22	389140	BLOCK, BASKET DRIVE
23	63849	TUB (S/P)
24	383727	GASKET, CENTERPOST

**7MMPD6634TQ0 MOTOR**







## 7MMPD6634TQ0 MOTOR

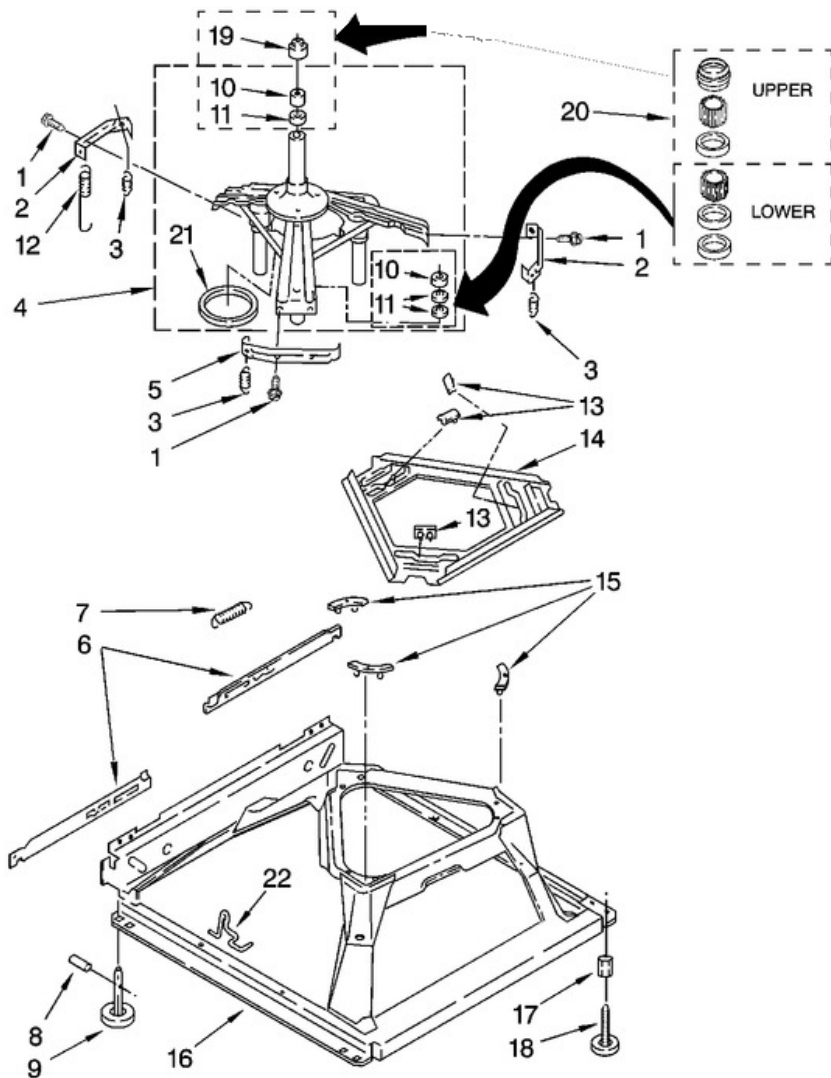
1	285792	BRAKE & DRIVE TUBE (COMPLETE)
2	63292	WASHER, SPIN TUBE THRUST
3	62697	RING, SPIN TUBE SUPPORT
4	285353	RING, RETAINER
5	285785	CLUTCH (COMPLETE)
6	285790	BAND & LINING, CLUTCH (INCLUDES ITEMS 7 & 8)
7	62646	CAP, CLUTCH SPRING (2) <b>(S/P)</b>
8	3946792	SPRING, CLUTCH <b>(S/P)</b>
9	3360629	GEARCASE (COMPLETE)
10	3357334	SCREW, GEARCASE TO BASE (3) <b>(S/P)</b>
11	62611	PLATE, MOTOR MOUNT TO GEARCASE <b>(S/P)</b>
12	62691	GROMMET, MOTOR (4)
13	285753	COUPLING, MOTOR & ISOLATION
14	8577374	SEAL <b>(S/P)</b>
15	939962	RIVET <b>(S/P)</b>
16	3400516	SCREW <b>(S/P)</b>
17	3349637	RETAINER, MOTOR (2)
18	3362089	SHIELD, TUB TO MOTOR <b>(S/P)</b>
19	389248	MOTOR, MAIN DRIVE
20	3952056	SWITCH, MAIN DRIVE MOTOR <b>(S/P)</b>
21	62700	RETAINER, PUMP (2)
22	3363394	PUMP (COMPLETE)
23	3387485	SCREW, 10-16 X 5/8 <b>(S/P)</b>
24	8316060	SHIELD, MOTOR <b>(S/P)</b>

Distribuidor Autorizado

SurteRápido.com

Venta de Refacciones  
Electrodomesticas

7MMPD6634TQ0 BASE

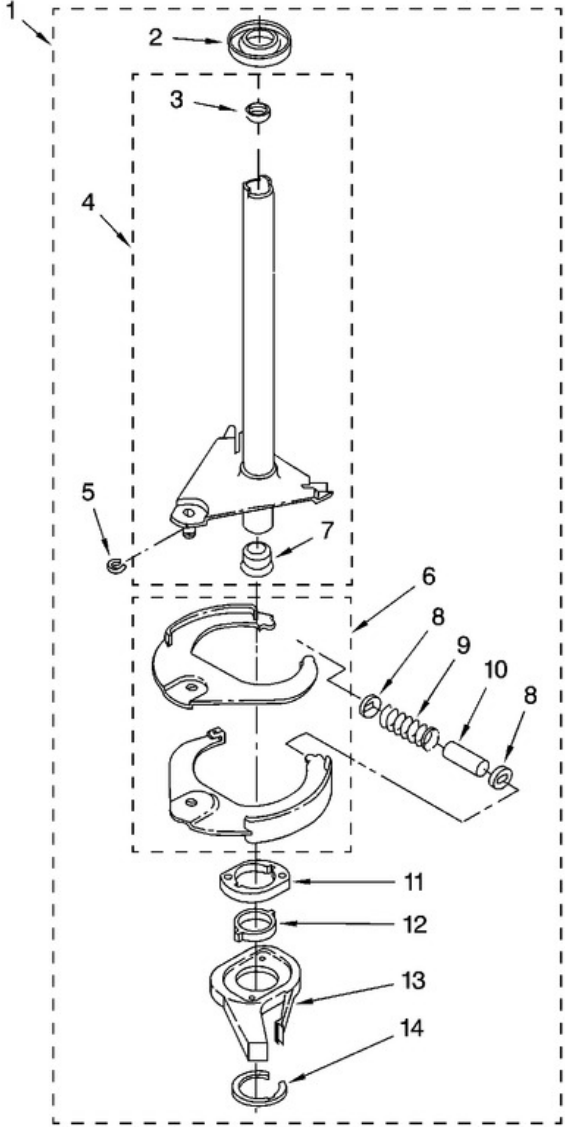




## 7MMPD6634TQ0 BASE

1	3400076	SCREW, BRACKET MOUNTING (10-32 X 5/8) <b>(S/P)</b>
2	64067	BRACKET, SPRING OUTER (2)
3	63907	SPRING SUSPENSION, (3)
4	280184	SUPPORT & BRAKE, TUB <b>(S/P)</b>
5	64065	BRACKET, SPRING OUTER (L.F.)
6	63466	LINK, LEVELING MECHANISM (2) <b>(S/P)</b>
7	8316845	SPRING, LEVELING MECHANISM
8	62837	PIN, KNURLED <b>(S/P)</b>
9	285244	FOOT, REAR (2)
10	8546455	BEARING, CENTERPOST (2) <b>(S/P)</b>
11	359449	SEAL, CENTERPOST (3)
12	388492	SPRING, COUNTERWEIGHT
13	285219	PAD, PLATE
14	3946509	PLATE, SUSPENSION (INCLUDES ITEM 13)
15	285744	PAD, BASE
16	285771	BASE ASSEMBLY
17	3359452	NUT, LOCK (2) (3/8-16) <b>(S/P)</b>
18	389102	FOOT, FRONT (2)
19	91938	SEAL, CENTERPOST
20	285203	CENTERPOST BEARING KIT
21	63134	RING, SOUND DEADENING
22	63806	RETAINER, SUSPENSION SPRING

**7MMPD6634TQ0 FLECHA HUECA**





## 7MMPD6634TQ0 FLECHA HUECA

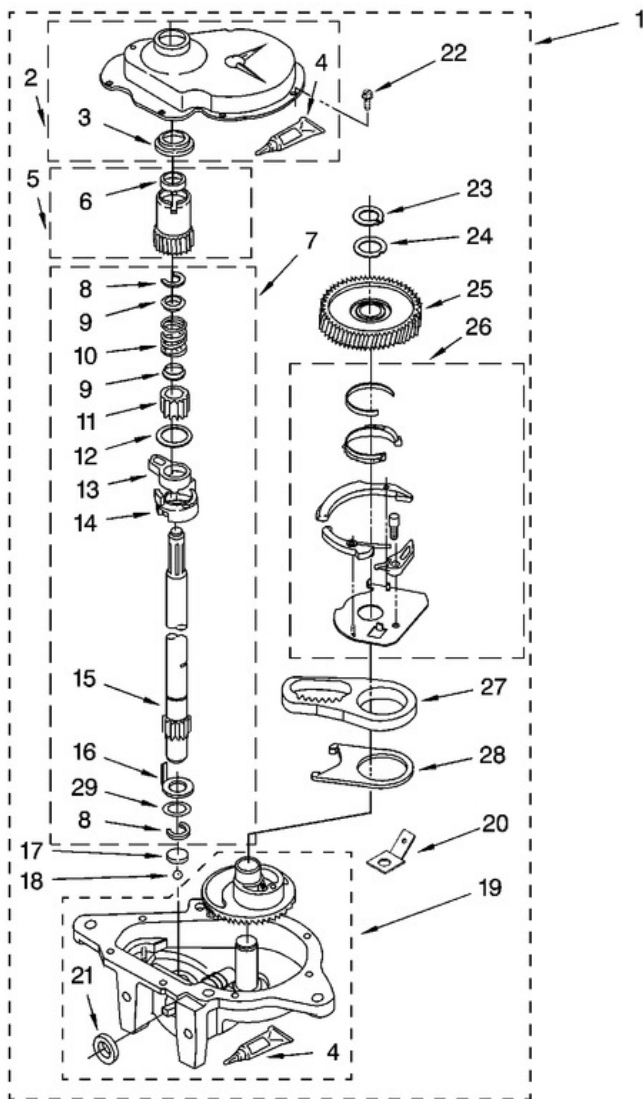
1	285792	BRAKE AND DRIVE TUBE (COMPLETE)
2	62658	RING, THRUST
3	356427	SEAL, DRIVE TUBE
4	285792	TUBE, BASKET DRIVE (INCLUDES ILLUS. 3, 4, 5 & 9)
5	W10083190	RING, RETAINING <b>(S/P)</b>
6	285438	SHOE, BRAKE (2)
7	8546462	``T`` BEARING, SPIN TUBE
8	285658	CAP, BRAKE SPRING (2) <b>(S/P)</b>
9	387806	SPRING, BRAKE
10	285658	SLEEVE, BRAKE SPRING <b>(S/P)</b>
11	661516	CAM, BRAKE RELEASE
12	63022	SLEEVE, CAM <b>DESCONTINUADO</b>
13	285790	DRIVER, BRAKE CAM
14	90368	RING, RETAINING
NI	285208	LUBRICANT <b>(S/P)</b>

Distribuidor Autorizado

SurteRápido.com

Venta de Refacciones  
Electrodomesticas

# 7MMPD6634TQ0 TRANSMISION





## 7MMPD6634TQ0 TRANSMISION

1	3360629	GEARCASE (COMPLETE)
2	285202	COVER, GEARCASE <b>(S/P)</b>
3	3349985	SEAL, GEARCASE COVER
4	285195	SEALER, GASKET (.20 FL. OZ.) (6 ML) <b>(S/P)</b>
5	285362	PINION, SPIN (INCLUDES ILLUS. 25)
6	356427	SEAL, SPIN PINION
7	389387	SHAFT, AGITATOR (COMPLETE) <b>(S/P)</b>
8	90369	RING, RETAINING (2)
9	62677	RETAINER, SPRING (2)
10	62676	SPRING, AGITATE <b>(S/P)</b>
11	285509	GEAR, AGITATE <b>DESCONTINUADO</b>
12	62619	WASHER, AGITATE GEAR <b>(S/P)</b>
13	285206	CAM FOLLOWER (INCLUDES 14)
14	285206	CAM, AGITATE (INCLUDES 13)
15	285509	SHAFT, AGITATOR <b>DESCONTINUADO</b>
16	62618	WASHER, CAM THRUST
17	285205	BEARING, THRUST (INCLUDES 18)
18	285205	BALL, BEARING (INCLUDES 17)
19	285515	BOTTOM AND PINION, GEARCASE <b>DESCONTINUADO</b>
21	285352	SEAL, THRUST PLUG
22	3351614	SCREW, GEARCASE COVER MOUNTING (8) <b>(S/P)</b>
23	285765	RING, RETAINING
24	285766	WASHER KIT, THRUST
25	285362	GEAR, SPIN
26	388253	NEUTRAL ASSEMBLY
27	3949609	RACK, CONNECTING
28	62621	ACTUATOR, SHIFT
29	388815	WASHER, INTERMEDIATE <b>DESCONTINUADO</b>
NI	72017	PAINT, TOUCH-UP (1/2OZ.) (WHITE) <b>(S/P)</b>
NI	799344	PAINT, BULK (1 QT.) (WHITE (UNCUT)) <b>(S/P)</b>
NI	367031	DRAIN PROTECTOR <b>(S/P)</b>
NI	350572	OIL, GEARCASE (16 OZ.) <b>(S/P)</b>
NI	350930	PAINT, PRESSURIZED SPRAY (12 OZ.) (WHITE) <b>(S/P)</b>

NI	350938	PAINT, PRESSURIZED SPRAY (12 OZ.) (GRAY) <b>(S/P)</b>
NI	280129	SIPHON BREAK KIT <b>(S/P)</b>
NI	280130	DRAIN HOSE ADAPTER KIT <b>(S/P)</b>
NI	40922	DRAIN HOSE EXTENSION KIT <b>DESCONTINUADO</b>
NI	285195	SEALER, GASKET (.20 FL. OZ.) (6 ML) <b>(S/P)</b>
NI	285208	LUBRICANT <b>(S/P)</b>