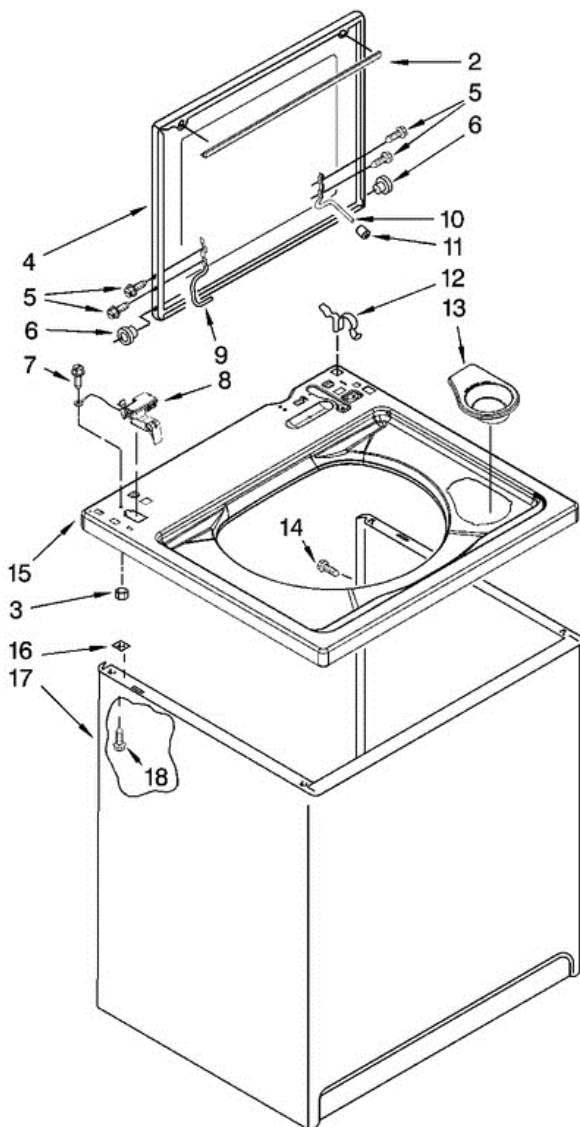


7MMPL6000TWO GABINETE





## 7MMPL6000TWO GABINETE

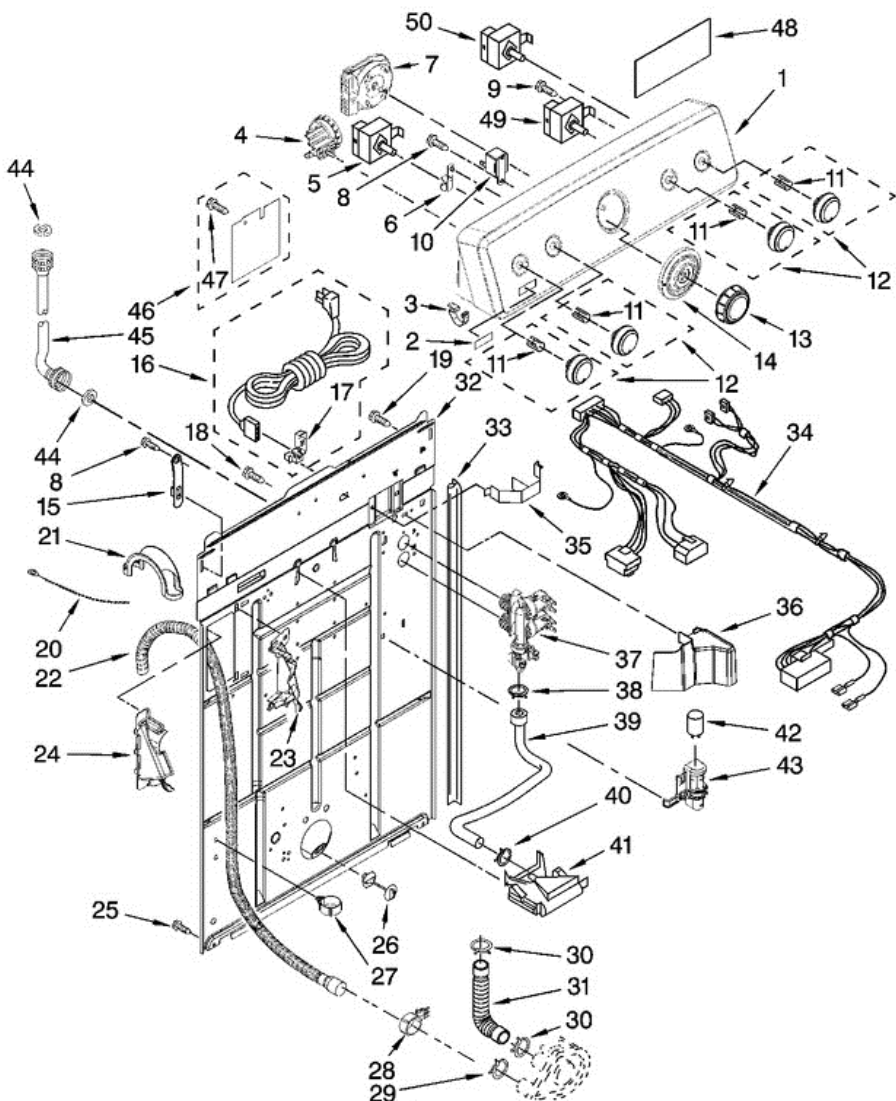
2	8054939	SEAL, LID
3	8533959	NUT, HEX
4	W10093719	LID
5	W10119828	SCREW, LID HINGE MOUNTING (4)
6	8319539	BEARING, LID HINGE (2)
7	3351614	SCREW, GROUND
8	8318084	SWITCH, LID
9	8559336	HINGE, LID (L.H.)
10	54583	HINGE, LID (R.H.)
11	19119	BUMPER, LID HINGE
12	62780	CLIP, TOP & CABINET & REAR PANEL (2)
13	8565967	DISPENSER, BLEACH
14	3357011	SCREW, 10-16 X 1/2
15	8543488	TOP
16	62750	SPACER, CABINET TO TOP (4)
17	63424	CABINET
18	3390631	SCREW, 10-16 X 3/8 (4)

Distribuidor Autorizado

SurteRápido.com

Venta de Refacciones  
Electrodomesticas

## 7MMPL600TW0 TABLERO



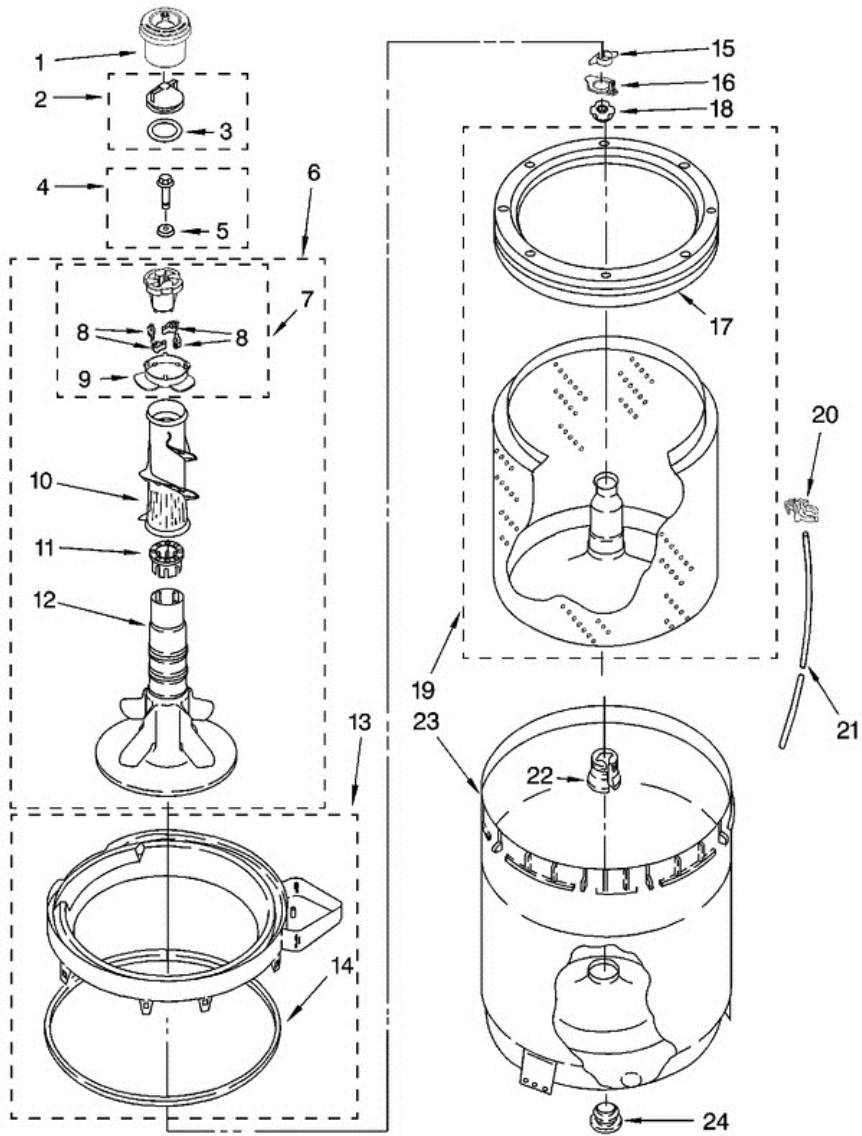


## 7MMPL6000TW0 TABLERO

1	W10115396	CONSOLE & SHELL ASSEMBLY (INCLUDES 2 & 3)
2	W10112569	BADGE ASSEMBLY
3	8312709	CLIP-CONSOLE (2)
4	8577842	SWITCH, WATER LEVEL
5	8578338	SWITCH, WATER TEMPERATURE
6	8317975	RETAINER, HARNESS
7	W10111389	TIMER (MOTOR NOT A SERVICE PART)
8	90767	SCREW, 8-18 X 3/8
9	3400073	SCREW, GROUND
10	694419	BUZZER, MINI
11	8536939	CLIP, KNOB
12	W10112572	KNOB, CONTROL
13	W10110033	KNOB, TIMER
14	W10112571	DIAL, TIMER
15	8568314	STRAP, CONSOLE
16	W10115689	CORD, POWER
17	3952821	STRAIN RELIEF, POWER CORD
18	9740848	SCREW, 8-18 X 1/2
19	3351614	SCREW, GROUND
20	3347868	CABLE TIE
21	8577378	U-BEND, DRAIN HOSE
22	W10122138	DRAIN HOSE ASSEMBLY (INCLUDES ITEMS 27 & 28)
23	8541669	BUCKET, DRAIN HOSE (LEFT HALF)
24	8541658	BUCKET, DRAIN HOSE (RIGHT HALF)
25	62863	SCREW, 10-16 X 3/8
26	8519200	SUPPORT, REAR PANEL
27	8541667	CLAMP, HOSE
28	8541668	CLAMP, HOSE
29	8317496	CLAMP, HOSE
30	3363366	CLAMP, HOSE
31	3951449	HOSE, PUMP TO TUB (INCLUDES ITEM 30)
32	8318015	PANEL, REAR
33	62747	PAD, REAR PANEL

34	W10118800	HARNESS, WIRING (FOR DETAIL SEE PAGES 9 & 10)
35	8055003	CLIP, HARNESS & PRESSURE HOSE
36	8314879	SHIELD, SUDS
37	8578343	VALVE, WATER INLET W/BI-METAL
38	301958	CLAMP, HOSE
39	8317974	HOSE, VACUUM BREAK
40	370450	CLAMP, HOSE
41	387606	BREAK, VACUUM
42	8572717	CAPACITOR, MOTOR START
43	8318046	CLIP, CAPACITOR
44	3976300	WASHER, WATER INLET HOSE (4) (1-1/16 X 5/8)
45	8571377	HOSE, WATER INLET (2) (BLUE COUPLER)
45	8571378	HOSE, WATER INLET (2) (RED COUPLER)
46	W10093726	SHIELD, ASSEMBLY LOWER
47	W10000080	RIVET
48	W10093725	SHIELD, UPPER
49	3949187	SWITCH, ROTARY
50	3949180	SWITCH-ROTARY

**7MMPL6000TWO TINAS**

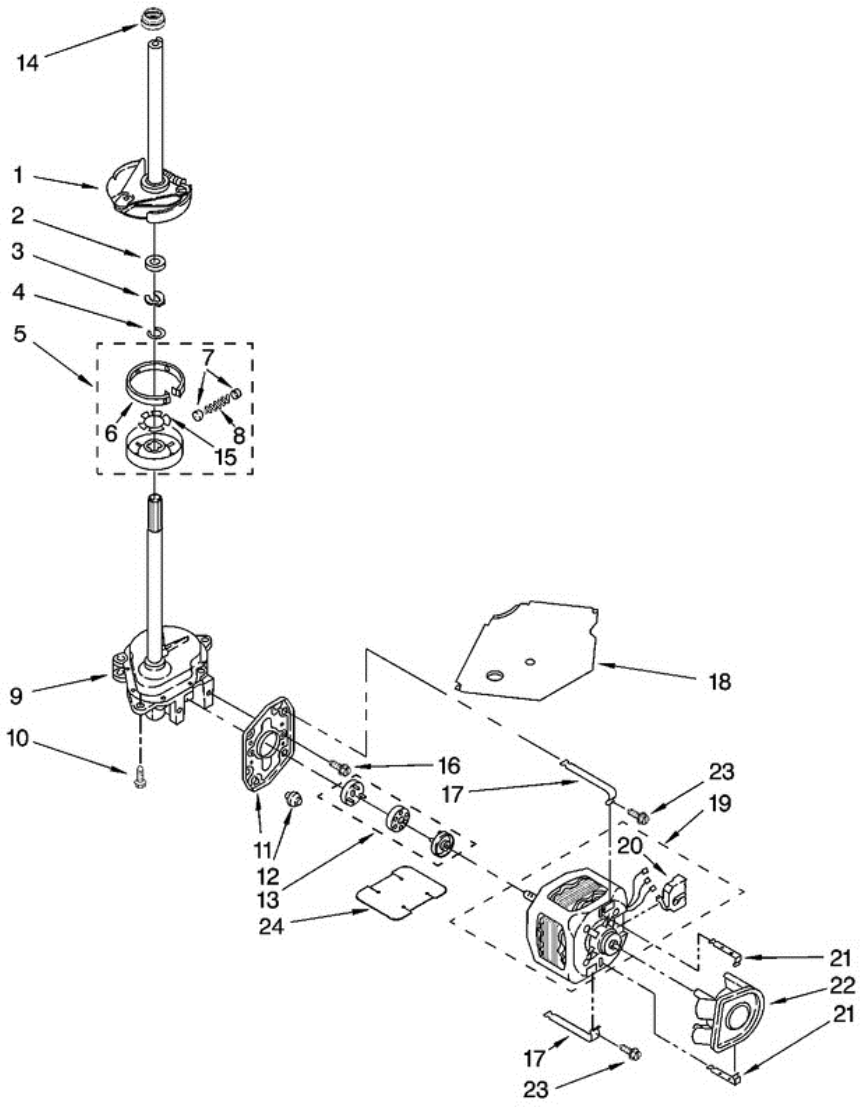




## 7MMPL6000TWO TINAS

1	8565968	DISPENSER, FABRIC SOFTENER
2	3354733	CAP, BARRIER
3	3348855	SEAL-INNER CAP
4	358237	SCREW & WASHER (5-16-24 X 1)
5	3949550	WASHER
6	W10093672	AGITATOR (COMPLETE)
7	3363663	CAM, DRIVEN
8	3366877	DOG, AGITATOR CLUTCH (4)
9	3363661	BEARING, DRIVEN CAM
10	3349019	CLOTHES MOVER
11	3350389	SPACER, THRUST
12	W10110020	AGITATOR
13	8528150	TUB RING
14	3976308	GASKET, TUB RING
15	3354845	CLIP, AGITATOR
16	8543666	WASHER, AGITATOR
17	W10118233	BALANCE RING
18	W10116603	NUT, SPANNER
19	8579546	BASKET & BALANCE RING
20	2219077	CLIP, PRESSURE SWITCH HOSE
21	3347780	HOSE, PRESSURE SWITCH
22	389140	BLOCK, BASKET DRIVE
23	63849	TUB
24	383727	GASKET, CENTERPOST

**7MMPL600TW0 MOTOR**







## 7MMPL6000TW0 MOTOR

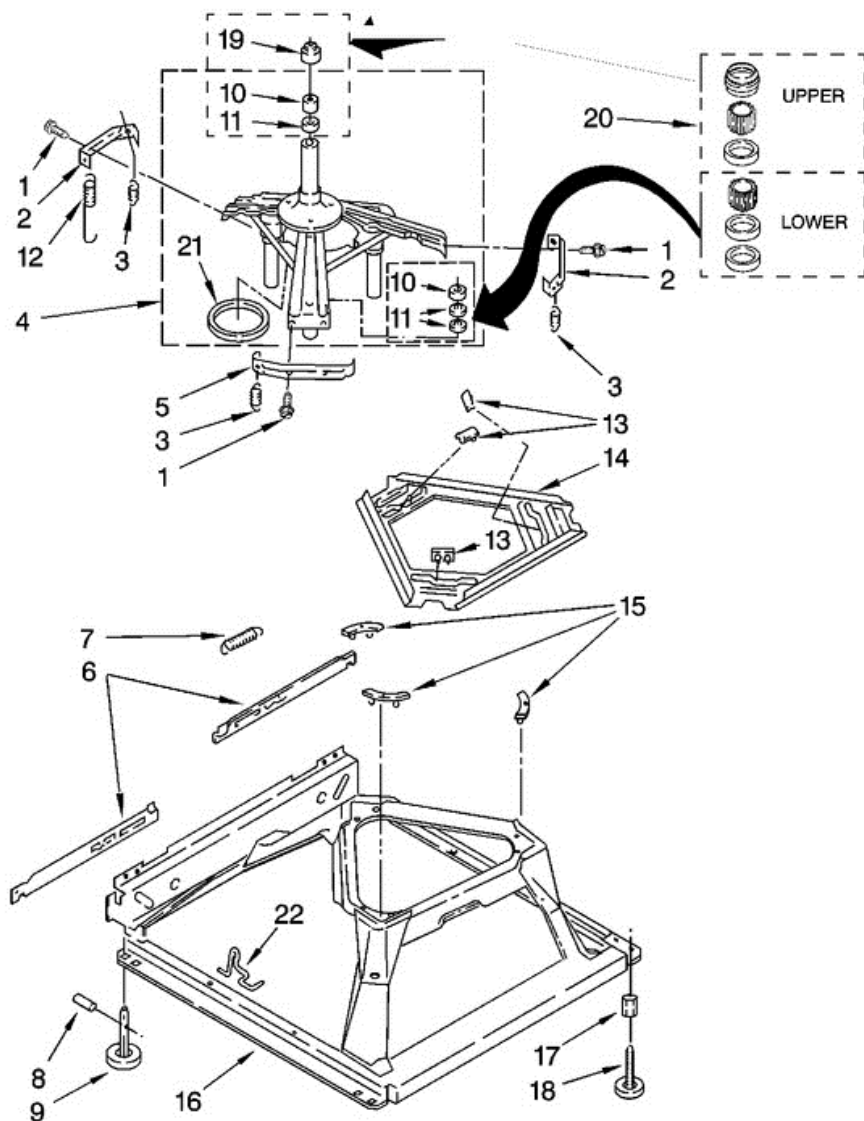
1	388952	BRAKE & DRIVE TUBE (COMPLETE)
2	63292	WASHER, SPIN TUBE THRUST
3	62697	RING, SPIN TUBE SUPPORT
4	63283	RING, RETAINER
5	3951311	CLUTCH (COMPLETE)
6	3951308	BAND & LINING, CLUTCH (INCLUDES ITEMS 7 & 8)
7	62646	CAP, CLUTCH SPRING (2)
8	3946792	SPRING, CLUTCH
9	8532118	GEARCASE (COMPLETE)
10	3357334	SCREW, GEARCASE TO BASE (3)
11	62611	PLATE, MOTOR MOUNT TO GEARCASE
12	62691	GROMMET, MOTOR (4)
13	3364003	COUPLING, MOTOR & ISOLATION
14	8577374	SEAL
15	3355454	CLIP, ANTI-RATTLE
16	3400516	SCREW
17	3349637	RETAINER, MOTOR (2)
18	3362089	SHIELD, TUB TO MOTOR
19	8528157	MOTOR, MAIN DRIVE
20	3952056	SWITCH, MAIN DRIVE MOTOR
21	8546127	RETAINER, PUMP (2)
22	3363394	PUMP (COMPLETE)
23	3387485	SCREW, 10-16 X 5/8
24	8316060	SHIELD, MOTOR

Distribuidor Autorizado

SurteRápido.com

Venta de Refacciones  
Electrodomesticas

7MMPL600TWO BASE

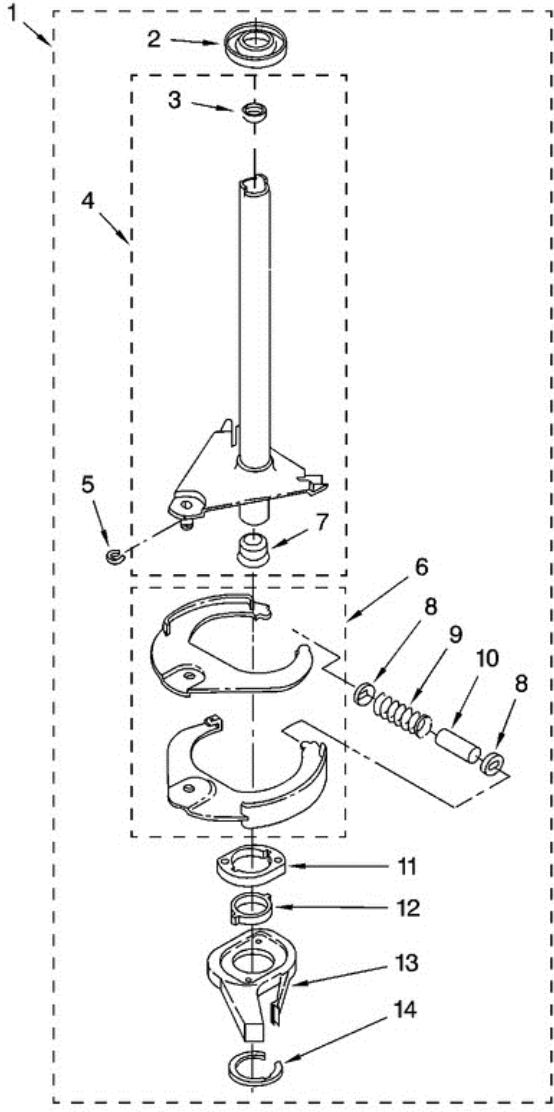




**7MMPL6000TWO BASE**

1	3400076	SCREW, BRACKET MOUNTING (10-32 X 5/8)
2	64067	BRACKET, SPRING OUTER (2)
3	63907	SPRING, SUSPENSION (3)
4	8575214	SUPPORT & BRAKE, TUB
5	64065	BRACKET, SPRING OUTER (L.F.)
6	63466	LINK, LEVELING MECHANISM (2)
7	62597	SPRING, LEVELING MECHANISM
8	62837	PIN, KNURLED
9	62596	FOOT, REAR (2)
10	8546455	BEARING, CENTERPOST (2)
11	357409	SEAL, CENTERPOST (3)
12	388492	SPRING, COUNTERWEIGHT
13	62568	PAD, PLATE
14	3946509	PLATE, SUSPENSION (INCLUDES ITEM 13)
15	3363660	PAD, BASE
16	3946512	BASE ASSEMBLY (INCLUDES 6, 7, 8, 9, 13, 14, 15 & 22)
17	3359452	NUT, LOCK (2) (3/8-16)
18	W10001130	FOOT, FRONT (2)
19	8577376	SEAL, CENTERPOST
20	285203	CENTERPOST BEARING KIT (INCLUDES 10, 11 & 19)
21	63134	RING, SOUND DEADENING
22	63806	RETAINER, SUSPENSION SPRING

**7MMPL6000TW0 FLECHA HUECA**

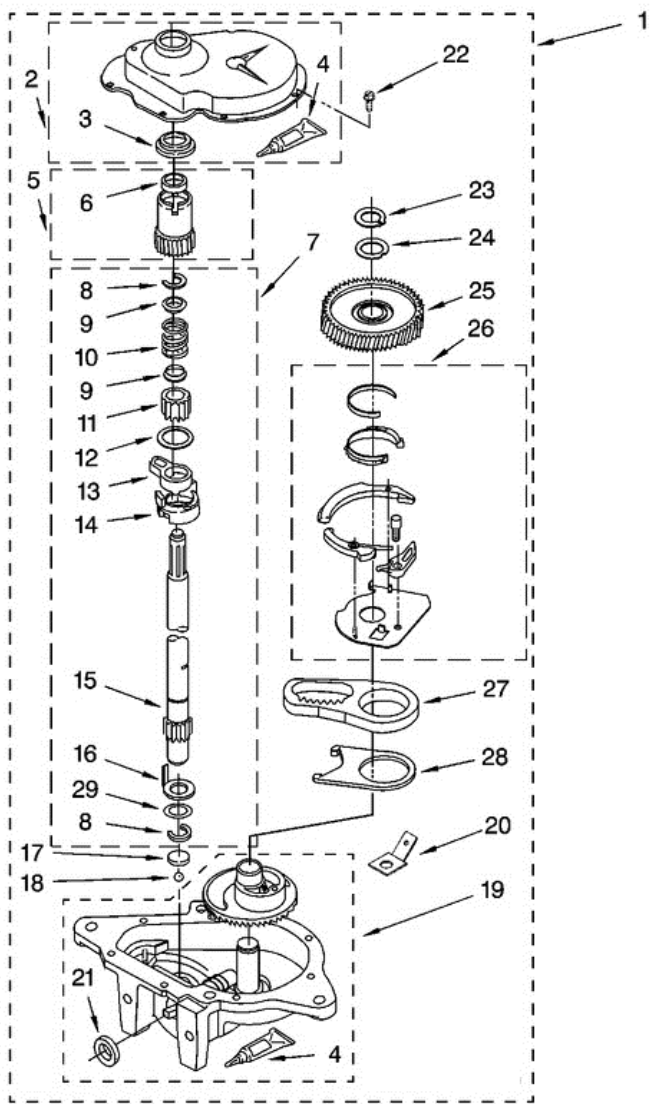




## 7MMPL6000TW0 FLECHA HUECA

1	388952	BRAKE AND DRIVE TUBE (COMPLETE)
2	62658	RING, THRUST
3	356427	SEAL, DRIVE TUBE
4	64027	TUBE, BASKET DRIVE (INCLUDES ILLUS. 3, 4, 5 & 9)
5	64035	RING, RETAINING
6	64232	SHOE, BRAKE (2)
7	62703	``T`` BEARING, SPIN TUBE
8	3353956	CAP, BRAKE SPRING (2)
9	387806	SPRING, BRAKE
10	3355360	SLEEVE, BRAKE SPRING
11	661516	CAM, BRAKE RELEASE
12	63022	SLEEVE, CAM
13	64194	DRIVER, BRAKE CAM
14	90368	RING, RETAINING

**7MMPL600TW0 TRANSMISION**





## 7MMPL6000TWO TRANSMISION

1	8532118	GEARCASE (COMPLETE)
2	285202	COVER, GEARCASE
3	3349985	SEAL, GEARCASE COVER
4	285195	SEALER, GASKET (.20 FL. OZ.) (6 ML)
5	63320	PINION, SPIN (INCLUDES ITEM 25)
6	356427	SEAL, SPIN PINION
7	389387	SHAFT, AGITATOR (COMPLETE)
8	90369	RING, RETAINING (2)
9	62677	RETAINER, SPRING (2)
10	62676	SPRING, AGITATE
11	63273	GEAR, AGITATE (INCLUDES 15 & 29)
12	62619	WASHER, AGITATE GEAR
13	62580	CAM FOLLOWER (INCLUDES 14)
14	62581	CAM, AGITATE (INCLUDES 13)
15	285509	SHAFT, AGITATOR (INCLUDES 11 & 29)
16	62618	WASHER, CAM THRUST
17	16018	BEARING, THRUST (INCLUDES 18)
18	85529	BALL, BEARING (INCLUDES 17)
19	389230	BOTTOM AND PINION, GEARCASE
20	3949116	BLOCK TAB, TERMINAL
21	285352	SEAL, THRUST PLUG
22	3351614	SCREW, GEARCASE COVER MOUNTING (8)
23	3362552	RING, RETAINING
24	285735	WASHER KIT, THRUST
25	62570	GEAR, SPIN
26	388253	NEUTRAL ASSEMBLY
27	3349296	RACK, CONNECTING
28	62621	ACTUATOR, SHIFT
29	388815	WASHER, INTERMEDIATE