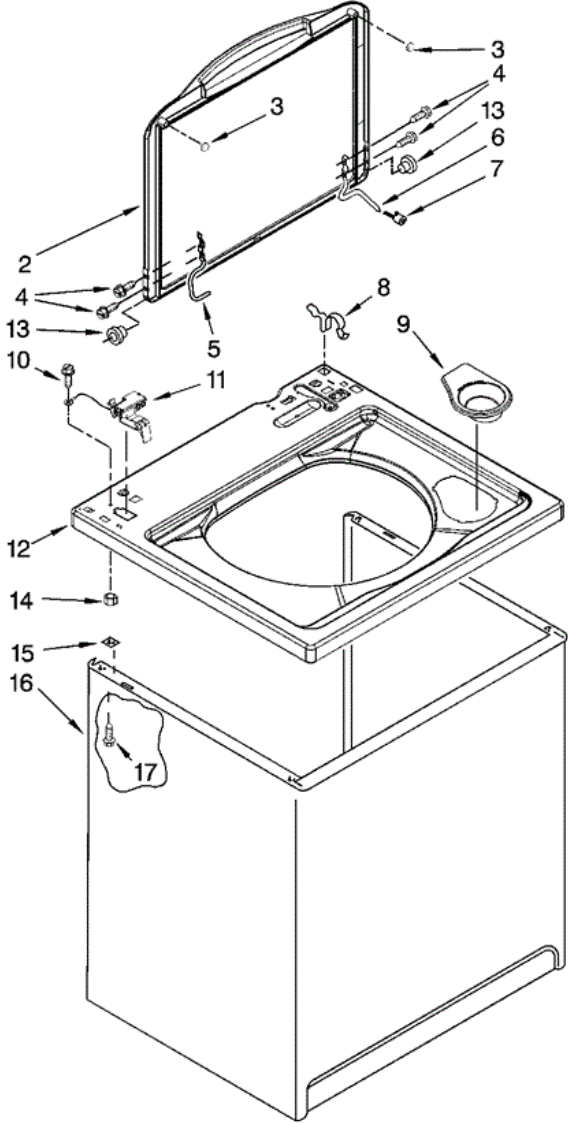


7MMPS0070VM0 GABINETE





7MMPS0070VMO GABINETE

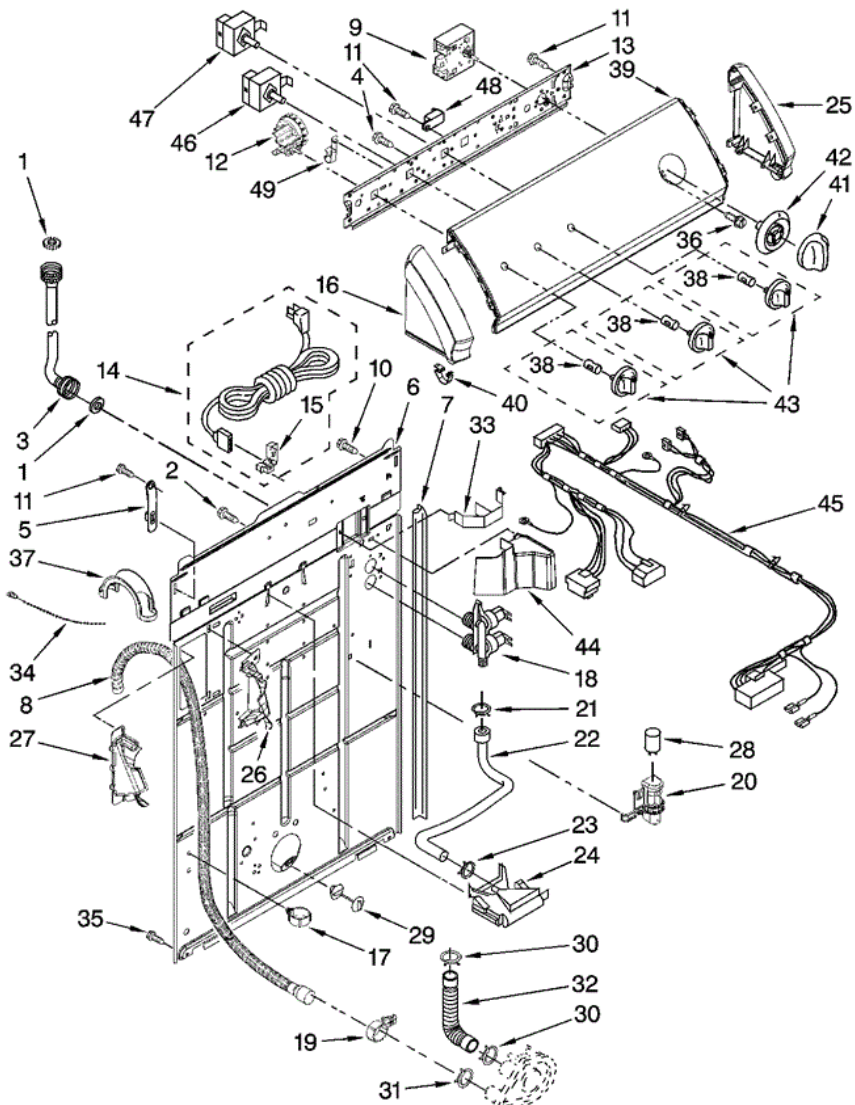
2	W10168897	LID
3	W10181289	BUMPER, LID (2)
4	W10119828	SCREW, LID HINGE MOUNTING (4)
5	8559336	HINGE, LID (L.H.)
6	54583	HINGE, LID R.H.
7	19119	BUMPER, LID HINGE
8	62780	CLIP, TOP & CABINET & REAR PANEL (2)
9	8565967	DISPENSER, BLEACH
10	3351614	SCREW, GROUND
11	8318084	SWITCH, LID
12	8543488	TOP
13	8319539	BEARING, LID HINGE (2)
14	8533959	NUT, HEX
15	62750	SPACER, CABINET TO TOP (4)
16	63424	CABINET
17	3390631	SCREW 10-16 X 3/8 (4)

Distribuidor Autorizado

SurteRápido.com

Venta de Refacciones
Electrodomesticas

7MMPS0070VM0 TABLERO



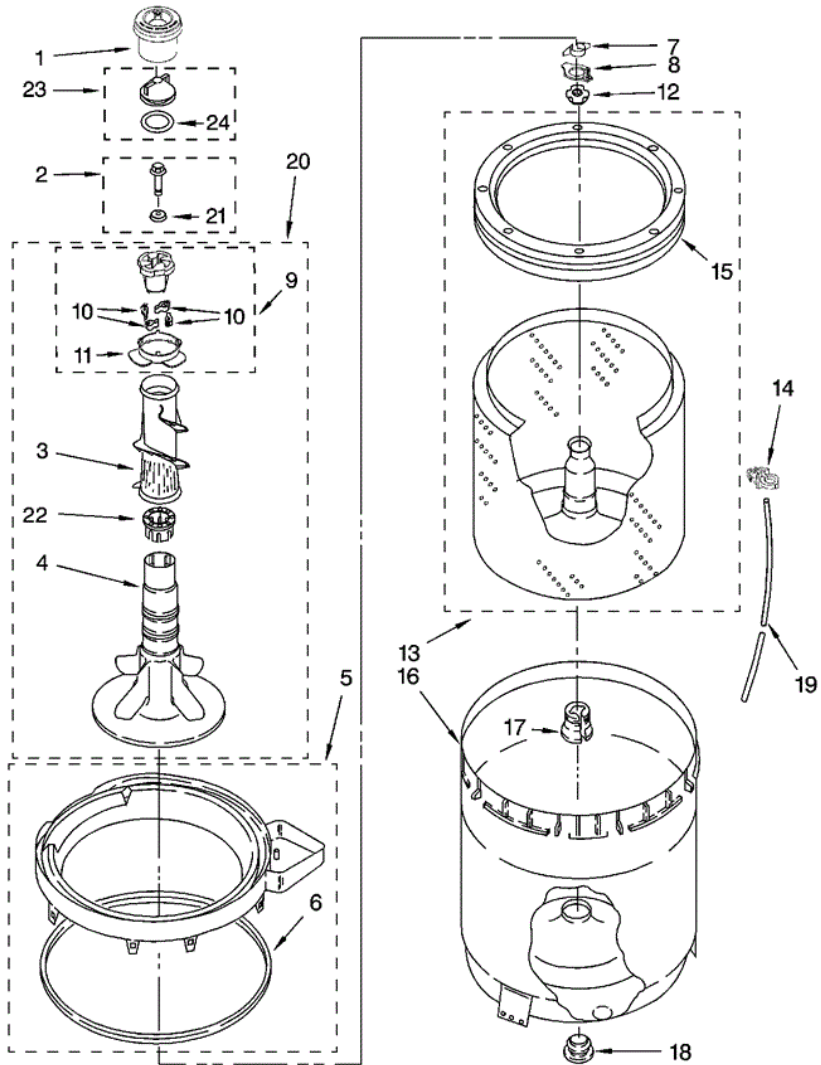


7MMPS0070VM0 TABLERO

1	3976300	WASHER, WATER INLET HOSE (4) 1-1/16 X 5/8
2	9740848	SCREW, 8-18 X 1/2
3	8571377	HOSE, WATER INLET (2) (BLUE COUPLER)
3	8571378	HOSE, WATER INLET (2) (RED COUPLER)
4	3400073	SCREW, GROUND
5	8568314	STRAP, CONSOLE (2)
6	8318015	PANEL, REAR
7	62747	PAD, REAR PANEL
8	W10122138	DRAIN HOSE ASSEMBLY (INCLUDES ITEMS 17 & 19)
9	3951702	TIMER, CONTROL (60 HZ.)
10	3351614	SCREW, GROUND
11	90767	SCREW, 8-18 X 3/8
12	8577843	SWITCH, WATER LEVEL
13	8559504	BRACKET, CONTROL
14	W10115689	CORD, POWER
15	3952821	STRAIN RELIEF, POWER CORD
16	W10128464	CAP, END (L.H.) (INCLUDES ITEM 40)
17	8541667	CLAMP, HOSE
18	3952164	VALVE, WATER MIXING
19	8541668	CLAMP, HOSE
20	8318046	CLIP, CAPACITOR
21	301958	CLAMP, HOSE
22	8541607	HOSE, VACUUM BREAK
23	370450	CLAMP, HOSE
24	387606	BREAK, VACUUM
25	W10128463	CAP, END (R.H.) (INCLUDES ITEM 40)
26	8541669	BUCKET, DRAIN HOSE (LEFT HALF)
27	8541658	BUCKET, DRAIN HOSE (RIGHT HALF)
28	8572717	CAPACITOR, MOTOR START
29	8519200	SUPPORT, REAR PANEL
30	3363366	CLAMP, HOSE
31	8317496	CLAMP, HOSE
32	3951449	HOSE, PUMP TO TUB (INCLUDES ITEM 30)

33	8055003	CLIP, HARNESS & PRESSURE HOSE
34	3347868	CABLE TIE
35	62863	SCREW, 10-16 X 3/8
36	3400818	SCREW, TIMER MOUNTING
37	8577378	U-BEND, DRAIN HOSE
38	8536939	CLIP, KNOB
39	W10155412	PANEL, CONSOLE
40	W10129041	CLIP, CONSOLE
41	3956786	KNOB, TIMER
42	8559524	DIAL, TIMER
43	3956788	KNOB, CONTROL
44	8314879	SHIELD, INLET VALVE
45	W10152820	WIRING HARNESS (FOR DETAIL SEE PAGES 9 & 10)
46	661614	SWITCH, WATER TEMPERATURE
47	3949187	SWITCH, ROTARY
48	694419	BUZZER, MINI
49	8317975	RETAINER, HARNESS

7MMPS0070VM0 TINAS

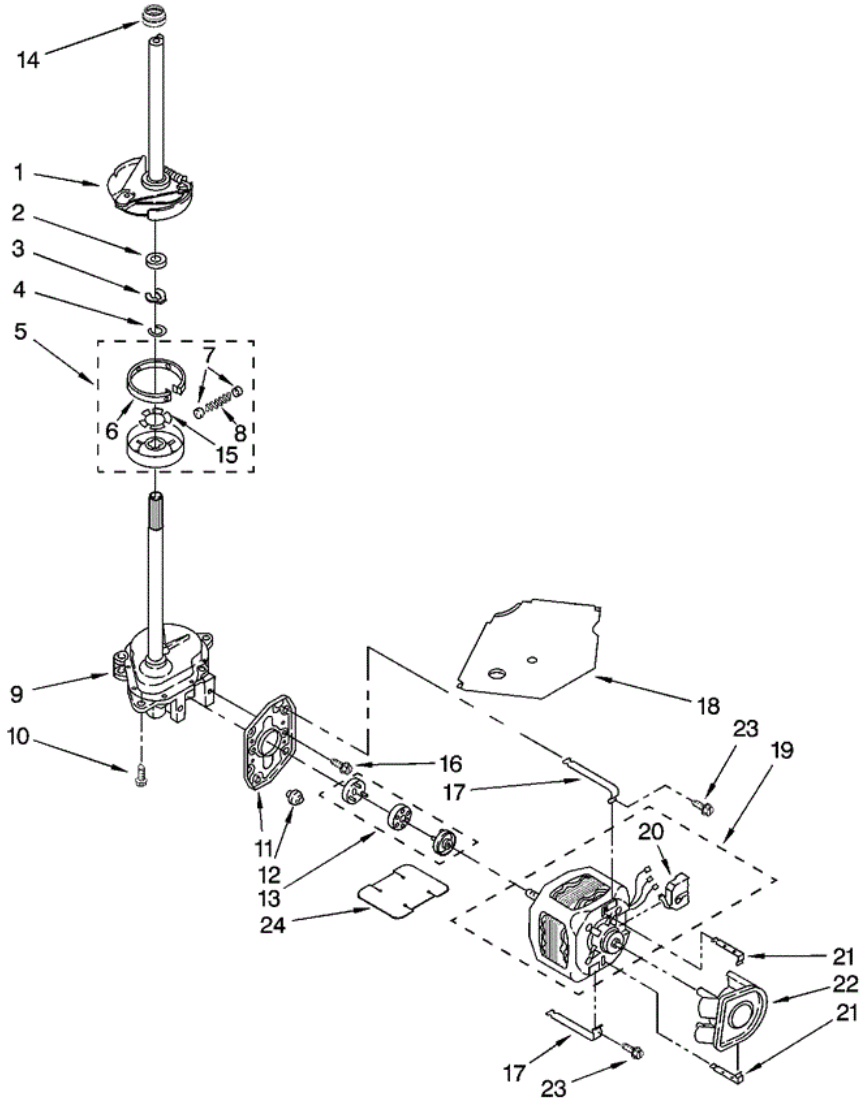




7MMPS0070VMO TINAS

1	8565968	DISPENSER, FABRIC SOFTENER
2	358237	SCREW & WASHER (5/16-24 X 1)
3	3349019	CLOTHES MOVER
4	W10110020	AGITATOR
5	8528150	TUB RING & GASKET
6	3976308	GASKET, TUB RING
7	3354845	CLIP, AGITATOR
8	8543666	WASHER, AGITATOR
9	3363663	CAM, DRIVEN
10	3366877	DOG, AGITATOR CLUTCH (4)
11	3363661	BEARING, DRIVEN CAM
12	21366	NUT, SPANNER
13	8526016	BASKET & BALANCE RING
14	2219077	CLIP, PRESSURE SWITCH HOSE
15	387240	BALANCE RING
16	63849	TUB
17	389140	BLOCK, BASKET DRIVE
18	383727	GASKET, CENTERPOST
19	3347780	HOSE, PRESSURE SWITCH
20	W10093672	AGITATOR (COMPLETE)
21	3949550	WASHER
22	3350389	SPACER, THRUST
23	3354733	CAP, BARRIER
24	W10072840	SEAL, BARRIER CAP

7MMPS0070VM0 MOTOR

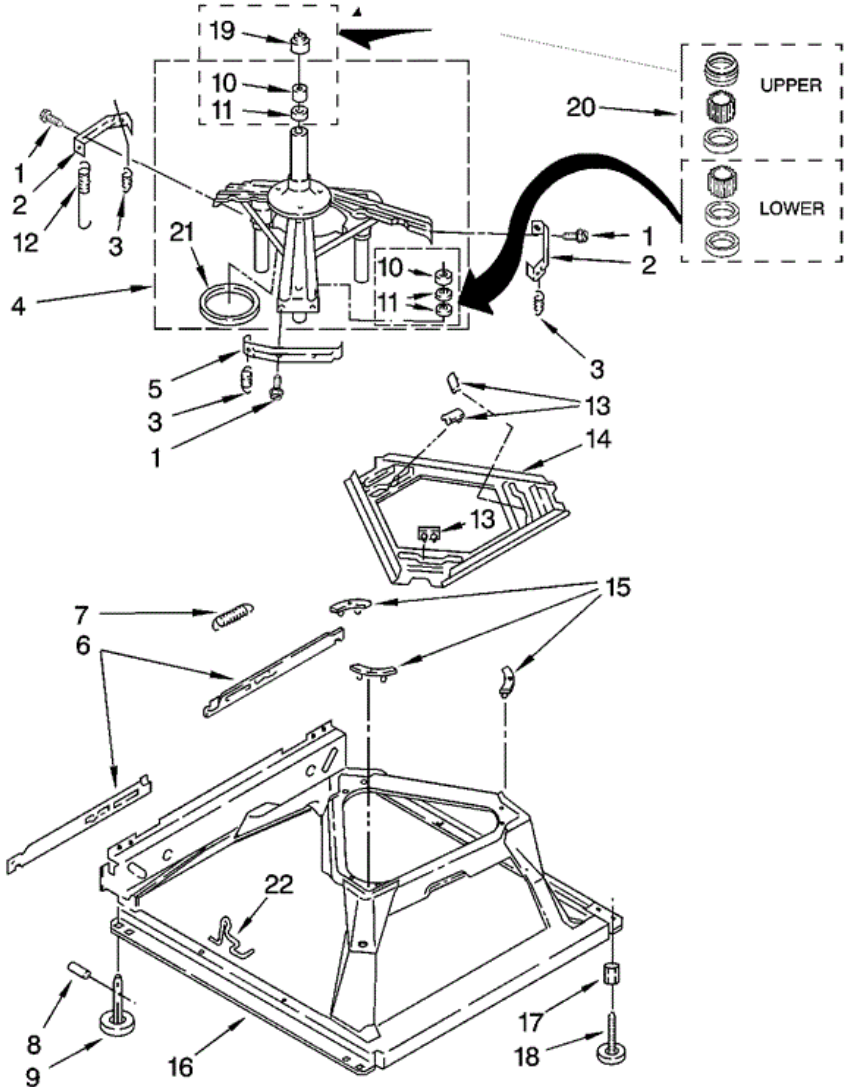




7MMPS0070VM0 MOTOR

1	388952	BRAKE & DRIVE TUBE (COMPLETE)
2	63292	WASHER, SPIN TUBE THRUST
3	62697	RING, SPIN TUBE SUPPORT
4	63283	RING, RETAINER
5	3951311	CLUTCH (COMPLETE)
6	3951308	BAND & LINING, CLUTCH (INCLUDES ITEMS 7 & 8)
7	62646	CAP, CLUTCH SPRING (2)
8	3946792	SPRING, CLUTCH
9	8532118	GEARCASE (COMPLETE)
10	3357334	SCREW, GEARCASE TO BASE (3)
11	62611	PLATE, MOTOR MOUNT TO GEARCASE
12	62691	GROMMET, MOTOR (4)
13	3364003	COUPLING, MOTOR & ISOLATION
14	8577374	SEAL
15	3355454	CLIP, ANTI- RATTLE
16	3400516	SCREW
17	W10086010	RETAINER, MOTOR (2)
18	3362089	SHIELD, TUB TO MOTOR
19	8528157	MOTOR, MAIN DRIVE
20	3952056	SWITCH, MAIN DRIVE MOTOR
21	8546127	RETAINER, PUMP (2)
22	3363394	PUMP (COMPLETE)
23	3387485	SCREW, 10-16 X 5/8
24	8316060	SHIELD, MOTOR

7MMPS0070VM0 BASE

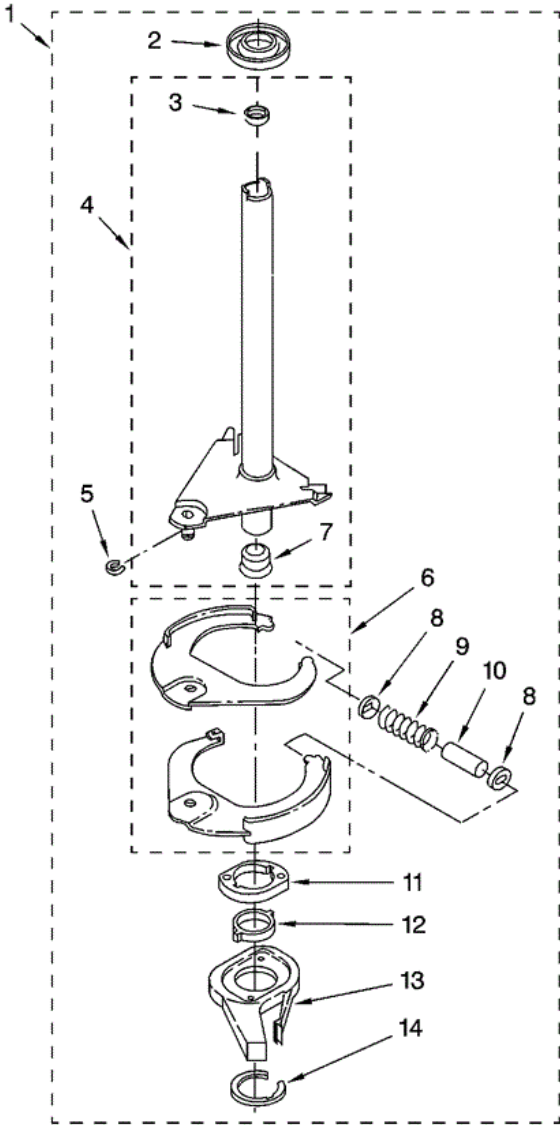




7MMPS0070VM0 BASE

1	3400076	SCREW, BRACKET MOUNTING (10-32 X 5/8)
2	64067	BRACKET, SPRING OUTER (2)
3	63907	SPRING, SUSPENSION(3)
4	8575214	SUPPORT & BRAKE, TUB
5	64065	BRACKET, SPRING OUTER (L.F.)
6	63466	LINK, LEVELING MECHANISM (2)
7	62597	SPRING, LEVELING MECHANISM
8	62837	PIN, KNURLED
9	62596	FOOT, REAR (2)
10	8546455	BEARING, CENTERPOST (2)
11	357409	SEAL, CENTERPOST (3)
12	388492	SPRING, COUNTERWEIGHT
13	62568	PAD, PLATE
14	3946509	PLATE, SUSPENSION (INCLUDES ITEM 13)
15	3363660	PAD, BASE
16	3946512	BASE ASSEMBLY (INCLUDES 6, 7, 8, 9, 13, 14, 15, 22)
17	3359452	NUT, LOCK (2) (3/8-16)
18	W10001130	FOOT, FRONT (2)
19	8577376	SEAL, CENTERPOST
20	285203	CENTERPOST BEARING KIT (INCLUDES 10, 11 & 19)
21	63134	RING, SOUND DEADENING
22	W10145155	RETAINER, SUSPENSION SPRING

7MMPS0070VM0 FLECHA HUECA

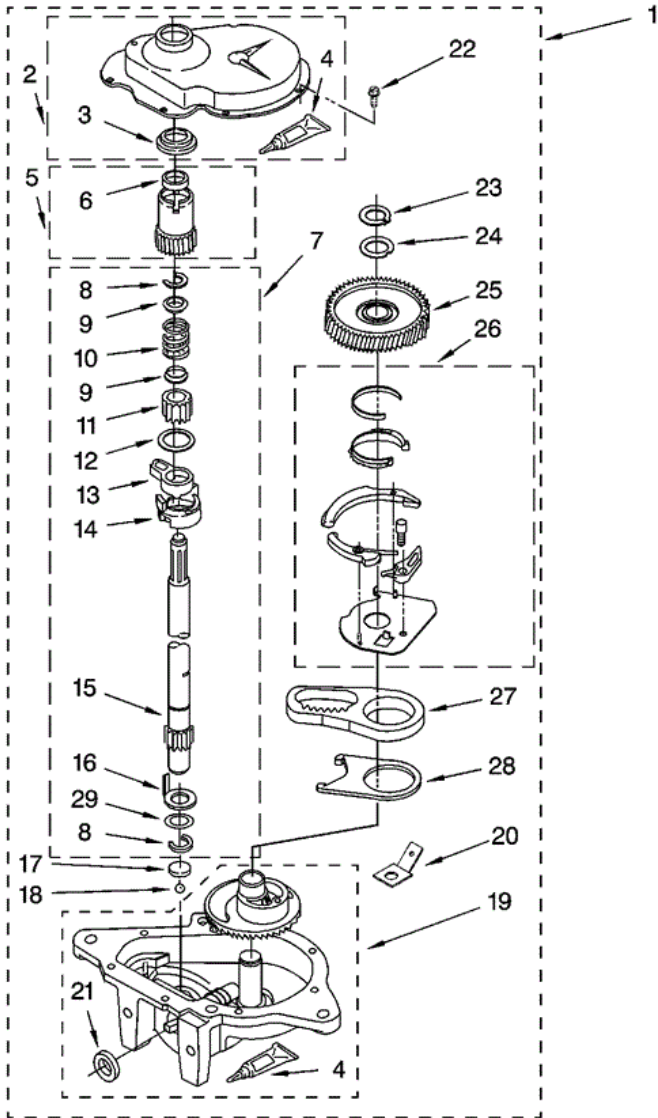




7MMPS0070VM0 FLECHA HUECA

1	388952	BRAKE AND DRIVE TUBE (COMPLETE)
2	62658	RING, THRUST
3	356427	SEAL, DRIVE TUBE
4	64027	TUBE, BASKET DRIVE (INCLUDES ILLUS. 3, 4, 5 & 9)
5	64035	RING, RETAINING
6	64232	SHOE, BRAKE (2)
7	62703	``T`` BEARING, SPIN TUBE
8	3353956	CAP, BRAKE SPRING (2)
9	387806	SPRING, BRAKE
10	3355360	SLEEVE, BRAKE SPRING
11	661516	CAM, BRAKE RELEASE
12	63022	SLEEVE, CAM
13	64194	DRIVER, BRAKE CAM
14	90368	RING, RETAINING

7MMPS0070VM0 TRANSMISION





7MMPS0070VM0 TRANSMISION

1	8532118	GEARCASE (COMPLETE)
2	285202	COVER, GEARCASE
3	3349985	SEAL, GEARCASE COVER
4	285195	SEALER, GASKET (.20 FL. OZ.) (6 ML)
5	63320	PINION, SPIN (INCLUDES ILLUS. 25)
6	356427	SEAL, SPIN PINION
7	389387	SHAFT, AGITATOR (COMPLETE)
8	90369	RING, RETAINING (2)
9	62677	RETAINER, SPRING (2)
10	62676	SPRING, AGITATE
11	63273	GEAR, AGITATE (INCLUDES 15 & 29)
12	62619	WASHER, AGITATE GEAR
13	62580	CAM FOLLOWER (INCLUDES 14)
14	62581	CAM, AGITATE (INCLUDES 13)
15	285509	SHAFT, AGITATOR (INCLUDES 11 & 29)
16	62618	WASHER, CAM THRUST
17	16018	BEARING, THRUST (INCLUDES 18)
18	85529	BALL, BEARING (INCLUDES 17)
19	389230	BOTTOM AND PINION, GEARCASE
20	3949116	BLOCK TAB, TERMINAL
21	285352	SEAL, THRUST PLUG
22	3351614	SCREW, GEARCASE COVER, MOUNTING (8)
23	3362552	RING, RETAINING
24	285735	WASHER KIT, THRUST
25	62570	GEAR, SPIN
26	388253	NEUTRAL ASSEMBLY
27	3349296	RACK, CONNECTING
28	62621	ACTUATOR, SHIFT
29	388815	WASHER, INTERMEDIATE