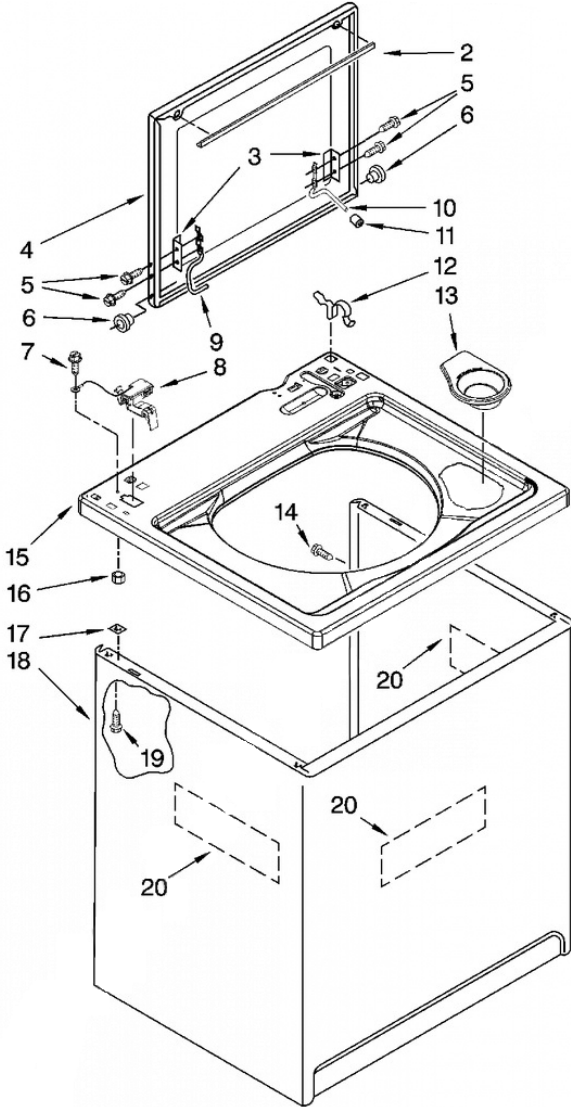


**7MMSL7959TW0 GABINETE**





## 7MMSL7959TW0 GABINETE

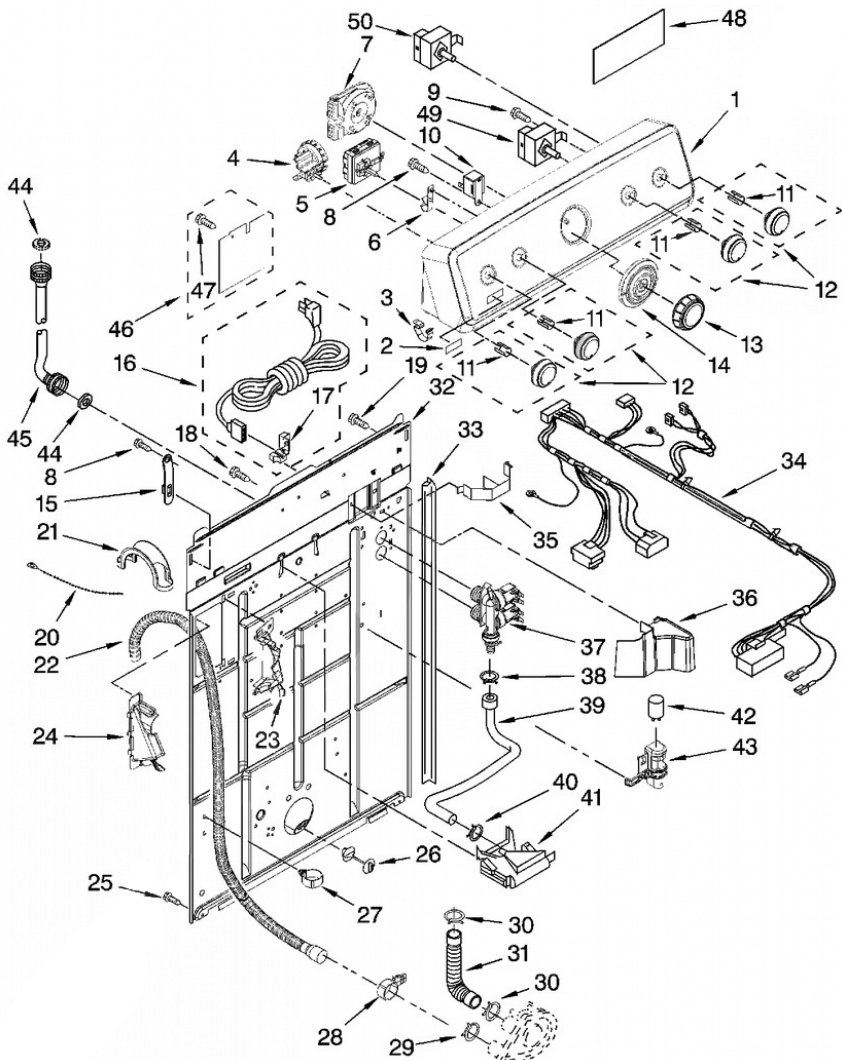
2	8054939	SEAL, LID
3	21097	PAD, LID HINGE (2) <b>(S/P)</b>
4	W10193865	LID <b>(S/P)</b>
5	W10119828	SCREW, LID HINGE MOUNTING (4) <b>(S/P)</b>
6	8319539	BEARING, LID HINGE (2) <b>(S/P)</b>
7	3351614	SCREW, GROUND <b>(S/P)</b>
8	8318084	SWITCH, LID
9	8559336	HINGE, LID (L.H.) <b>(S/P)</b>
10	54583	HINGE, LID (R.H.) <b>(S/P)</b>
11	19119	BUMPER, LID HINGE <b>(S/P)</b>
12	62780	CLIP, TOP & CABINET & REAR PANEL (2)
13	8565967	DISPENSER, BLEACH <b>(S/P)</b>
14	3357011	SCREW, 10-16 X 1/2 <b>(S/P)</b>
15	8543479	TOP <b>(S/P)</b>
16	680762	NUT, HEX <b>(S/P)</b>
17	62750	SPACER, CABINET TO TOP (4) <b>(S/P)</b>
18	63424	CABINET <b>(S/P)</b>
19	3390631	SCREW, 10-16 X 3/8 (4) <b>(S/P)</b>
20	3976348	ABSORBER, SOUND (CABINET)(3) <b>(S/P)</b>

Distribuidor Autorizado

**SurteRápido.com**

Venta de Refacciones  
Electrodomesticas

## 7MMSL7959TW0 TABLERO



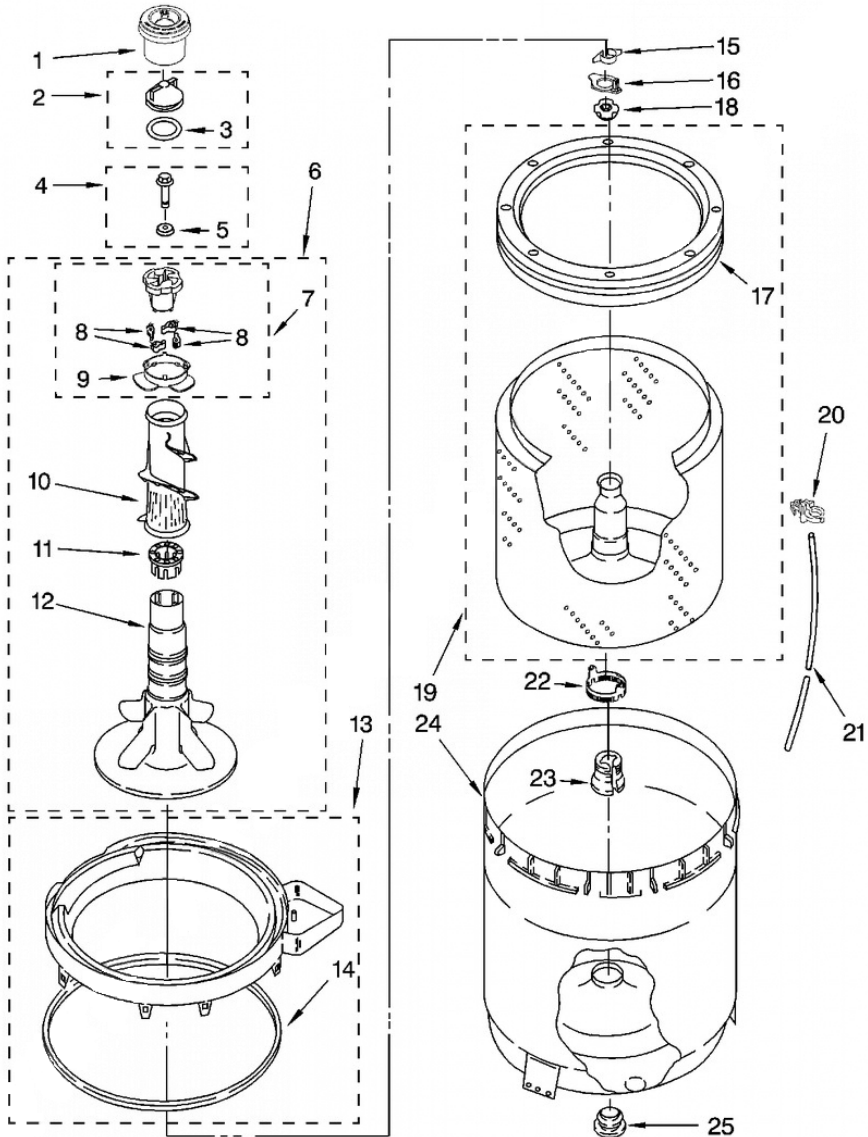


## 7MMSL7959TW0 TABLERO

1	W10144111	CONSOLE & SHELL ASSEMBLY (S/P)
2	W10203949	BADGE ASSEMBLY (S/P)
3	8312709	CLIP, CONSOLE (2)
4	W10339250	SWITCH, WATER LEVEL (S/P)
5	8578335	SWITCH, WATER TEMPERATURE (ATC) (S/P)
6	8317975	RETAINER, HARNESS (S/P)
7	W10111389	TIMER (MOTOR NOT A SERVICE PART)
8	90767	SCREW, 8-18 X 3/8 (S/P)
9	3400073	SCREW, GROUND (S/P)
10	694419	BUZZER, MINI (S/P)
11	8536939	CLIP, KNOB (S/P)
12	W10112572	KNOB, CONTROL (S/P)
13	W10110033	KNOB, TIMER
14	W10112571	DIAL, TIMER (S/P)
15	8568314	STRAP, CONSOLE (S/P)
16	W10115689	CORD, POWER (S/P)
17	3952821	STRAIN RELIEF, POWER CORD (S/P)
18	9740848	SCREW, 8-18 X 1/2 (S/P)
19	3351614	SCREW, GROUND (S/P)
20	3347868	CABLE TIE (S/P)
21	8577378	U-BEND, DRAIN HOSE (S/P)
22	280162	DRAIN HOSE ASSEMBLY (INCLUDES ITEMS 27 & 28)
23	8541669	BUCKET, DRAIN HOSE (LEFT HALF) (S/P)
24	8541658	BUCKET, DRAIN HOSE (RIGHT HALF) (S/P)
25	62863	SCREW, 10-16 X 3/8 (S/P)
26	8519200	SUPPORT, REAR PANEL
27	8541667	CLAMP, HOSE (S/P)
28	8541668	CLAMP, HOSE (S/P)
29	285655	CLAMP, HOSE (S/P)
30	616099	CLAMP, HOSE (S/P)
31	285871	HOSE, PUMP TO TUB (INCLUDES ITEM 30)
32	8318015	PANEL, REAR (S/P)
33	62747	PAD, REAR PANEL (S/P)

34	W10121587	HARNESS, WIRING (S/P)
35	8055003	CLIP, HARNESS & PRESSURE HOSE (S/P)
36	8314879	SHIELD, SUDS (S/P)
37	3979346	VALVE, WATER INLET & THERMISTOR ASSY.
38	596669	CLAMP, HOSE (S/P)
39	8317926	HOSE, VACUUM BREAK
40	596669	CLAMP, HOSE (S/P)
41	3360977	BREAK, VACUUM
42	8572717	CAPACITOR, MOTOR START (S/P)
43	8318046	CLIP, CAPACITOR (S/P)
44	16123	WASHER, WATER INLET HOSE (4) (S/P)
45	89503	HOSE, WATER INLET (2) (BLUE COUPLER)
46	W10093726	SHIELD, ASSEMBLY LOWER (S/P)
47	8282566	RIVET (S/P)
49	W10168262	SWITCH, ROTARY (S/P)
50	3949180	SWITCH, ROTARY (S/P)

**7MMSL7959TWO TINAS**

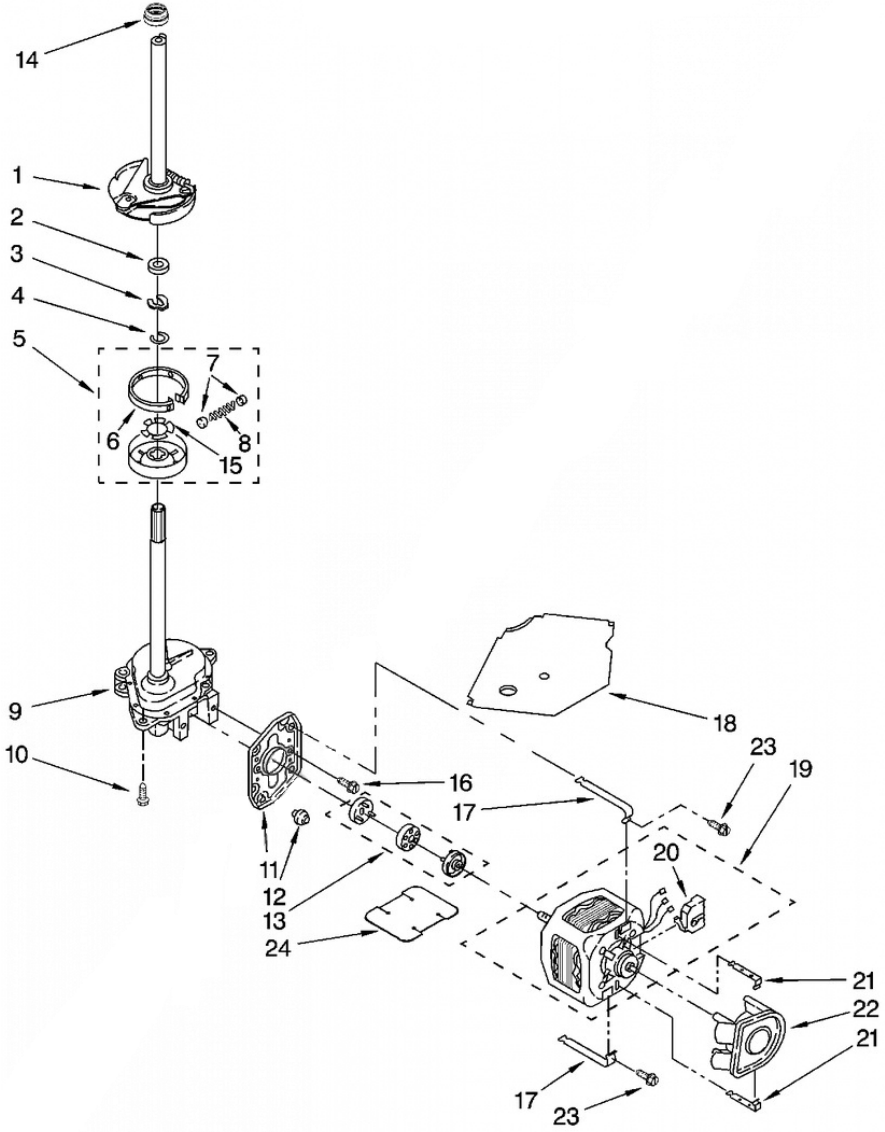




## 7MMSL7959TWO TINAS

1	8565968	DISPENSER, FABRIC SOFTENER (S/P)
2	285551	CAP, BARRIER
3	3348855	SEAL, INNER CAP
4	358237	SCREW & WASHER (5/16-24 X 1)
5	3949550	WASHER (S/P)
6	W10093672	AGITATOR (COMPLETE) (S/P)
7	285811	CAM, DRIVEN
8	285770	DOG, AGITATOR CLUTCH (4)
9	3363661	BEARING, DRIVEN CAM (S/P)
10	3349019	CLOTHES MOVER
11	285587	SPACER, THRUST
12	W10110020	AGITATOR (S/P)
13	8528150	TUB RING (S/P)
14	3976308	GASKET, TUB RING
15	3354845	CLIP, AGITATOR (S/P)
16	8543666	WASHER, AGITATOR (S/P)
17	W10006326	BALANCE RING
18	W10116602	NUT, SPANNER (S/P)
19	8579546	BASKET & BALANCE RING (S/P)
20	2219077	CLIP, PRESSURE SWITCH HOSE (S/P)
21	353244	HOSE, PRESSURE SWITCH
22	8577198	FILTER, LINT (S/P)
23	389140	BLOCK, BASKET DRIVE
24	63849	TUB (S/P)
25	383727	GASKET, CENTERPOST

**7MMSL7959TW0 MOTOR**







## 7MMSL7959TW0 MOTOR

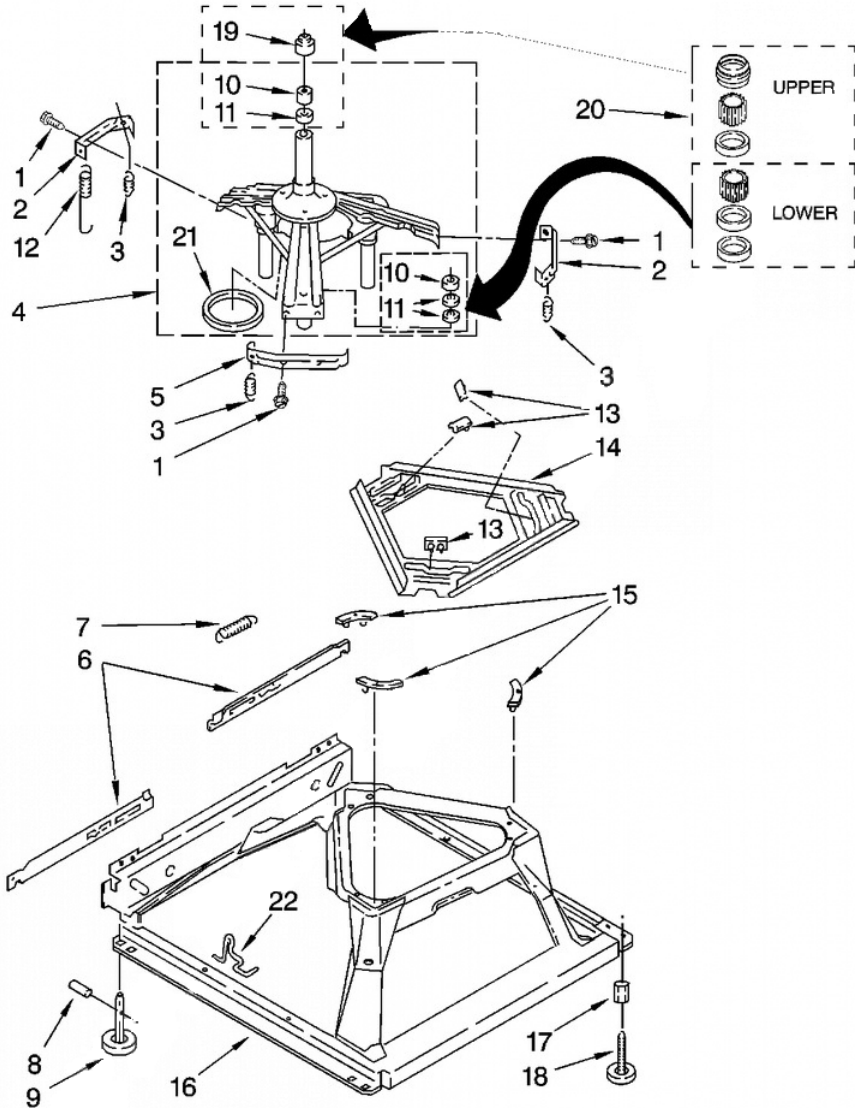
1	285792	BRAKE & DRIVE TUBE (COMPLETE)
2	63292	WASHER, SPIN TUBE THRUST
3	W10080230	RING, SPIN TUBE SUPPORT
4	285353	RING, RETAINER
5	285785	CLUTCH (COMPLETE)
6	285790	BAND & LINING, CLUTCH (INCLUDES ITEMS 7 & 8)
7	62646	CAP, CLUTCH SPRING (2) <b>(S/P)</b>
8	3946792	SPRING, CLUTCH <b>(S/P)</b>
9	3360629	GEARCASE (COMPLETE)
10	3357334	SCREW, GEARCASE TO BASE (3) <b>(S/P)</b>
11	62611	PLATE, MOTOR MOUNT TO GEARCASE <b>(S/P)</b>
12	62691	GROMMET, MOTOR (4)
13	285852	COUPLING, MOTOR & ISOLATION <b>(S/P)</b>
14	8577374	SEAL <b>(S/P)</b>
15	939962	RIVET <b>(S/P)</b>
16	3400516	SCREW <b>(S/P)</b>
17	3349637	RETAINER, MOTOR (2)
18	3362089	SHIELD, TUB TO MOTOR <b>(S/P)</b>
19	389248	MOTOR, MAIN DRIVE
20	3952056	SWITCH, MAIN DRIVE MOTOR <b>(S/P)</b>
21	62700	RETAINER, PUMP (2)
22	3363394	PUMP (COMPLETE)
23	3387485	SCREW, 10-16 X 5/8 <b>(S/P)</b>
24	8316060	SHIELD, MOTOR <b>(S/P)</b>

Distribuidor Autorizado

SurteRápido.com

Venta de Refacciones  
Electrodomesticas

## 7MMSL7959TW0 BASE

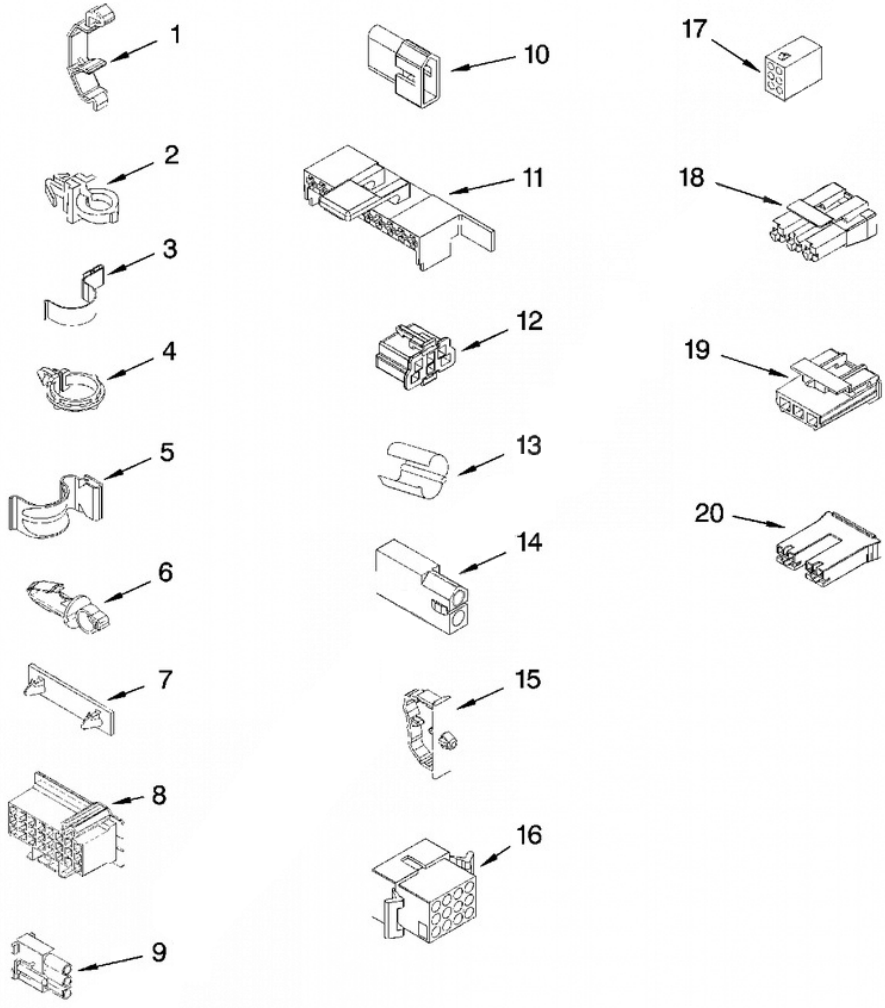




## 7MMSL7959TWO BASE

1	3400076	SCREW, BRACKET MOUNTING (10-32 X 5/8) <b>(S/P)</b>
2	64067	BRACKET, SPRING OUTER (2)
3	63907	SPRING SUSPENSION, (3)
4	280184	SUPPORT & BRAKE, TUB <b>(S/P)</b>
5	64065	BRACKET, SPRING OUTER (L.F.)
6	63466	LINK, LEVELING MECHANISM (2) <b>(S/P)</b>
7	8316845	SPRING, LEVELING MECHANISM
8	62837	PIN, KNURLED <b>(S/P)</b>
9	285244	FOOT, REAR (2)
10	8546455	BEARING, CENTERPOST (2) <b>(S/P)</b>
11	359449	SEAL, CENTERPOST (3)
12	388492	SPRING, COUNTERWEIGHT
13	285219	PAD, PLATE
14	3946509	PLATE, SUSPENSION (INCLUDES ITEM 13) <b>(S/P)</b>
15	285744	PAD, BASE
16	285771	BASE ASSEMBLY
17	3359452	NUT, LOCK (2) (3/8-16) <b>(S/P)</b>
18	389102	FOOT, FRONT (2)
19	91938	SEAL, CENTERPOST
20	285203	CENTERPOST BEARING KIT
21	63134	RING, SOUND DEADENING
22	63806	RETAINER, SUSPENSION SPRING

**7MMSL7959TWO HARNES**

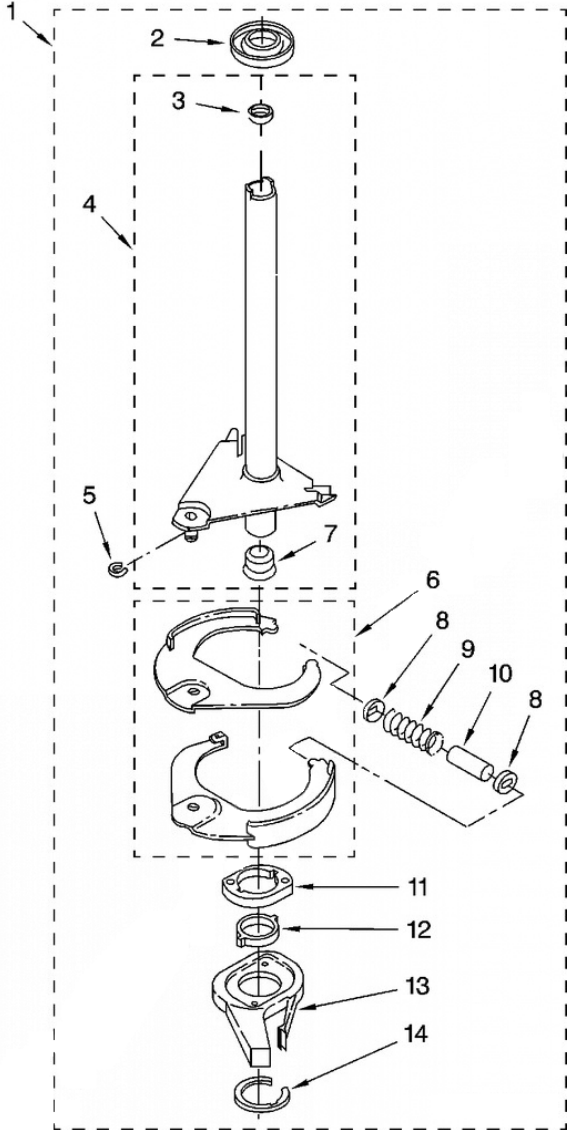




**7MMSL7959TWO HARNES**

1	3349557	RETAINER, HARNESS (S/P)
2	388498	CLIP, HARNESS <b>DESCONTINUADO</b>
3	8528351	CLIP, HARNESS (S/P)
4	3348535	CLIP, HARNESS (PUSH-IN) (S/P)
5	90016	CLIP, HARNESS (HALF-HARNESS) (S/P)
6	8281256	CLIP, HARNESS (S/P)
7	389379	RETAINER, HARNESS (S/P)
8	3948614	TIMER, BLOCK DISCONNECT (NATURAL) (S/P)
8	352089	TIMER, BLOCK DISCONNECT (BLACK) (S/P)
9	62889	RECEPTACLE, TERMINAL (3-WAY) (S/P)
10	353424	PLUG, TERMINAL (3-WAY) (S/P)
11	62505	BLOCK, DISCONNECT (MOTOR 2 SPEED) (S/P)
12	3347243	BLOCK, DISCONNECT (S/P)
13	63523	PROTECTOR (S/P)
14	717252	CONNECTOR (2-WAY) (S/P)
15	3352944	CLIP, HARNESS (S/P)
16	3390423	BLOCK, DISCONNECT (12-WAY) (S/P)
17	3347730	RECEPTACLE (6-WAY) <b>DESCONTINUADO</b>
18	3948617	CONNECTOR (T.P.A.) (3-CIRCUIT) (S/P)
19	3360056	PLUG (T.P.A) (3-CIRCUIT) (PRESSURE SWITCH) (S/P)
20	3354925	BLOCK, CONNECTOR (NATURAL) (S/P)
20	3354926	BLOCK, CONNECTOR (RED) (S/P)

**7MMSL7959TW0 FLECHA HUECA**





## 7MMSL7959TW0 FLECHA HUECA

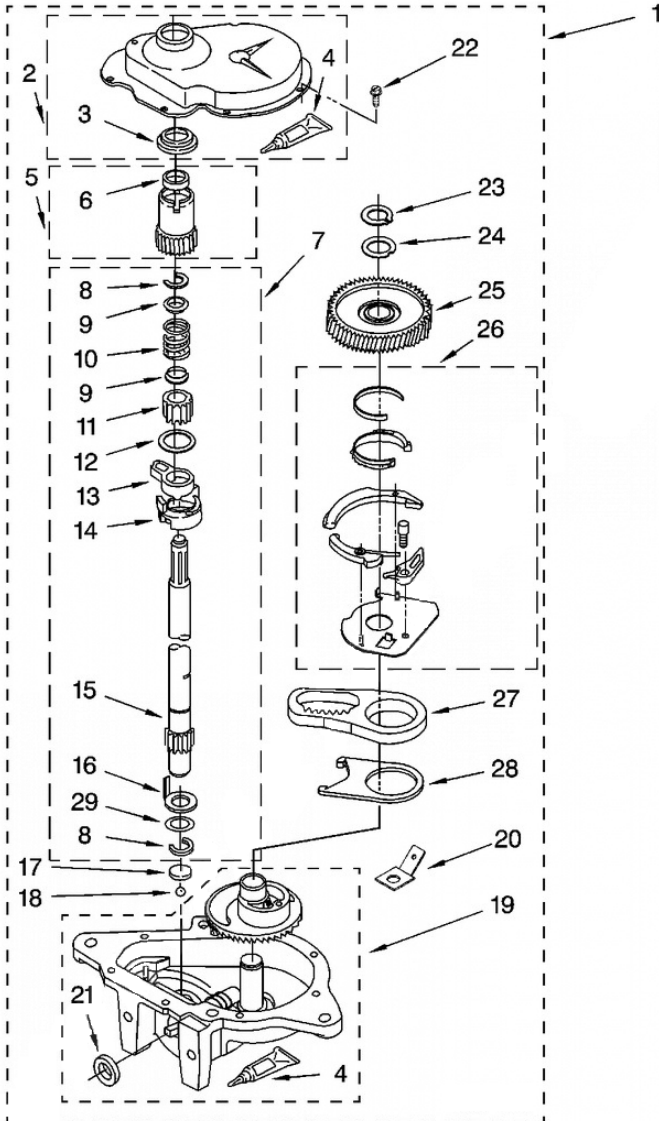
1	285792	BRAKE AND DRIVE TUBE (COMPLETE)
2	62658	RING, THRUST
3	356427	SEAL, DRIVE TUBE
4	285792	TUBE, BASKET DRIVE (INCLUDES ILLUS. 3, 4, 5 & 9)
5	64035	RING, RETAINING <b>(S/P)</b>
6	285438	SHOE, BRAKE (2)
7	62703	``T`` BEARING, SPIN TUBE
8	285658	CAP, BRAKE SPRING (2) <b>(S/P)</b>
9	387806	SPRING, BRAKE
10	285658	SLEEVE, BRAKE SPRING <b>(S/P)</b>
11	661516	CAM, BRAKE RELEASE
12	63022	SLEEVE, CAM <b>DESCONTINUADO</b>
13	64194	DRIVER, BRAKE CAM
14	90368	RING, RETAINING
NI	285208	LUBRICANT <b>(S/P)</b>

Distribuidor Autorizado

SurteRápido.com

Venta de Refacciones  
Electrodomesticas

# 7MMSL7959TW0 TRANSMISION







## 7MMSL7959TW0 TRANSMISION

1	3360629	GEARCASE (COMPLETE)
2	285202	COVER, GEARCASE (S/P)
3	3349985	SEAL, GEARCASE COVER
4	285195	SEALER, GASKET (.20 FL. OZ.) (6 ML) (S/P)
5	285362	PINION, SPIN (INCLUDES ILLUS. 25)
6	356427	SEAL, SPIN PINION
7	389387	SHAFT, AGITATOR (COMPLETE) (S/P)
8	90369	RING, RETAINING (2)
9	62677	RETAINER, SPRING (2)
10	62676	SPRING, AGITATE (S/P)
11	285509	GEAR, AGITATE <b>DESCONTINUADO</b>
12	62619	WASHER, AGITATE GEAR (S/P)
13	285206	CAM FOLLOWER (INCLUDES 14)
14	285206	CAM, AGITATE (INCLUDES 13)
15	285509	SHAFT, AGITATOR <b>DESCONTINUADO</b>
16	62618	WASHER, CAM THRUST
17	285205	BEARING, THRUST (INCLUDES 18)
18	285205	BALL, BEARING (INCLUDES 17)
19	285515	BOTTOM AND PINION, GEARCASE (S/P)
20	3949116	BLOCK TAB, TERMINAL (S/P)
21	285352	SEAL, THRUST PLUG
22	3351614	SCREW, GEARCASE COVER MOUNTING (8) (S/P)
23	285765	RING, RETAINING
24	285735	WASHER KIT, THRUST (S/P)
25	285362	GEAR, SPIN
26	388253	NEUTRAL ASSEMBLY
27	3949609	RACK, CONNECTING
28	62621	ACTUATOR, SHIFT
29	388815	WASHER, INTERMEDIATE (S/P)
NI	72017	PAINT, TOUCH-UP (1/2OZ.) (WHITE) (S/P)
NI	799344	PAINT, BULK (1 QT.) (WHITE (UNCUT)) (S/P)
NI	367031	DRAIN PROTECTOR (S/P)
NI	350572	OIL, GEARCASE (16 OZ.) (S/P)

NI	350930	PAINT, PRESSURIZED SPRAY (WHITE) <b>(S/P)</b>
NI	350938	PAINT, PRESSURIZED SPRAY (PRIMER, GRAY) <b>(S/P)</b>
NI	285208	LUBRICANT <b>(S/P)</b>
NI	280129	SIPHON BREAK KIT <b>(S/P)</b>
NI	280130	DRAIN HOSE ADAPTER KIT <b>(S/P)</b>
NI	280131	DRAIN HOSE EXTENSION KIT <b>(S/P)</b>
NI	285195	SEALER, GASKET (.20 FL. OZ.) (6 ML) <b>(S/P)</b>