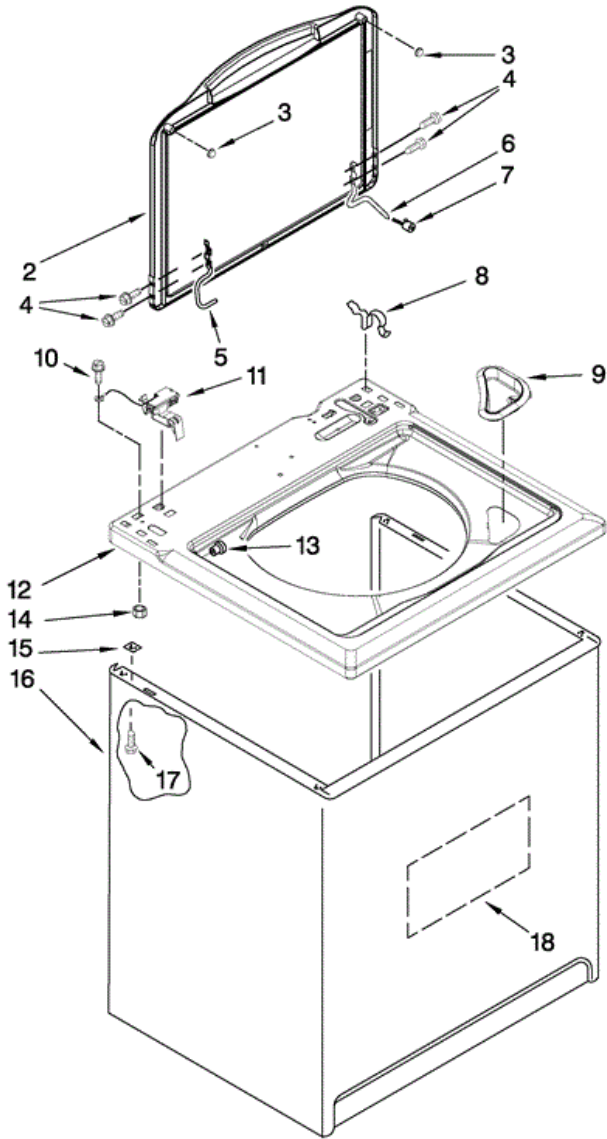


7MMS0510XW0 GABINETE





7MMTS0510XW0 GABINETE

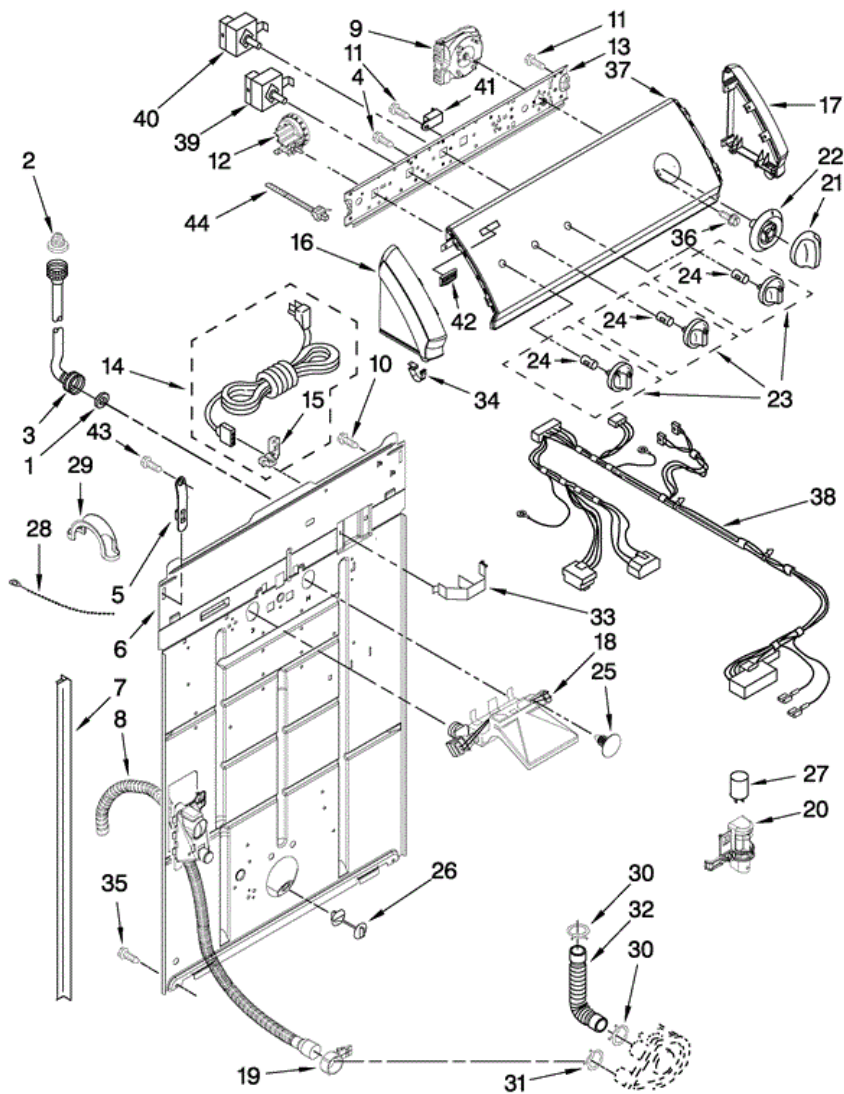
2	W10168897	LID ASSEMBLY
3	W10181289	BUMPER, LID (2)
4	W10119828	SCREW, LID HINGE MOUNTING (4)
5	8559336	HINGE, LID (L.H.)
6	54583	HINGE, LID R.H.
7	19119	BUMPER, LID HINGE
8	62780	CLIP, TOP & CABINET & REAR PANEL (2)
9	W10192089	DISPENSER, BLEACH
10	3351614	SCREW, GROUND
11	8318084	SWITCH, LID
12	W10194868	TOP
13	8319539	BEARING, LID HINGE (2)
14	8533959	NUT, HEX
15	62750	SPACER, CABINET TO TOP (4)
16	63424	CABINET
17	3390631	SCREW 10-16 X 3/8 (4)
18	W10177046	CABINET-DAMPER, SOUND

Distribuidor Autorizado

SurteRápido.com

Venta de Refacciones
Electrodomesticas

7MMS0510XW0 TABLERO



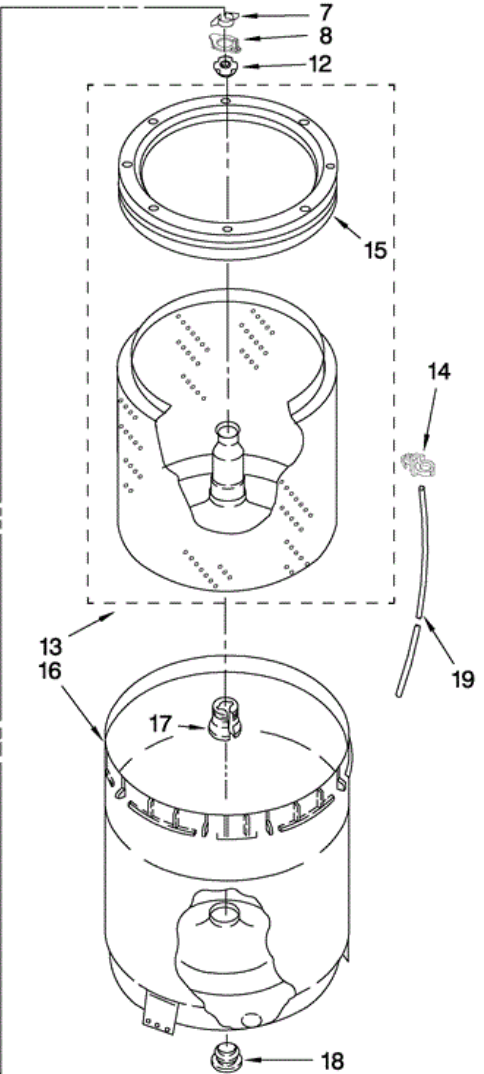
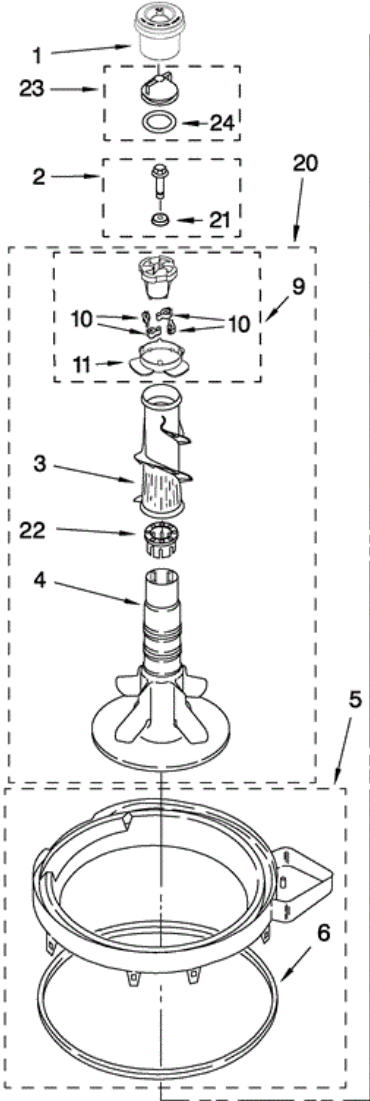


7MMTS0510XW0 TABLERO

1	W10242307	WASHER, WATER INLET HOSE (2) (1-1/16 X 5/8)
2	353362	WASHER, FILTER (2)
3	W10194210	HOSE, WATER INLET (2) (COLD WATER)
3	W10196191	HOSE, WATER INLET (2) (HOT WATER)
4	3400073	SCREW, GROUND
5	8568314	STRAP, CONSOLE (2)
6	W10194450	PANEL, REAR
7	62747	PAD, REAR PANEL
8	W10189267	DRAIN HOSE ASSEMBLY (INCLUDES ITEM 19)
9	8577356	TIMER, CONTROL (60 HZ.)
10	3351614	SCREW, GROUND
11	90767	SCREW, 8-18 X 3/8
12	W10231400	SWITCH, WATER LEVEL
13	8559504	BRACKET, CONTROL
14	W10115689	CORD, POWER
15	3952821	STRAIN RELIEF, POWER CORD
16	8559502	CAP, END (L.H.) (INCLUDES ITEM 34)
17	8559501	CAP, END (R.H.) (INCLUDES ITEM 34)
18	W10278652	VALVE, WATER INLET W/VACUUM BREAK
19	8541668	CLAMP, HOSE
20	8318046	CLIP, CAPACITOR
21	3956786	KNOB, TIMER
22	8559524	DIAL, TIMER
23	3956788	KNOB, CONTROL
24	8536939	CLIP, KNOB
25	W10000080	CLIP, PUSH-IN RETAINER
26	8519200	SUPPORT, REAR PANEL
27	8572717	CAPACITOR, MOTOR START
28	3347868	CABLE TIE
29	8577378	U-BEND, DRAIN HOSE
30	3363366	CLAMP, HOSE
31	8317496	CLAMP, HOSE
32	3951449	HOSE, PUMP TO TUB (INCLUDES ITEM 30)

33	8055003	CLIP, HARNESS & PRESSURE HOSE
34	8312709	CLIP, CONSOLE
35	62863	SCREW, 10-16 X 3/8
36	3400818	SCREW, TIMER MOUNTING
37	W10316584	PANEL, CONSOLE (INCLUDES ITEM 42)
38	W10224862	WIRING HARNESS (FOR DETAIL SEE PAGES 9 & 10)
39	661614	SWITCH, WATER TEMPERATURE
40	3949180	SWITCH, ROTARY
41	694419	BUZZER, MINI
42	W10153170	BADGE ASSEMBLY
43	9740848	SCREW, 8-18 X 1/2
44	W10231379	CABLE TIE

7MMS0510XW0 TINAS

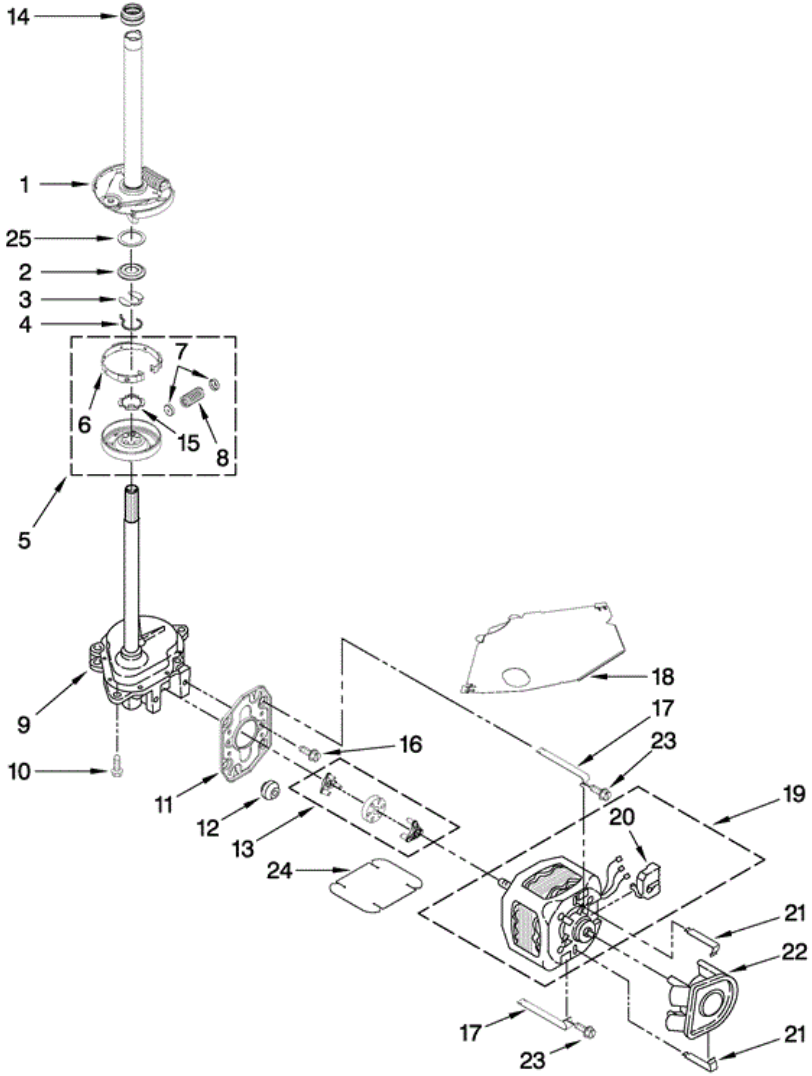




7MMTS0510XW0 TINAS

1	8565968	DISPENSER, FABRIC SOFTENER
2	358237	SCREW & WASHER (5/16-24 X 1)
3	3349019	CLOTHES MOVER
4	W10110020	AGITATOR
5	8528150	TUB RING & GASKET
6	3976308	GASKET, TUB RING
7	3354845	CLIP, AGITATOR
8	8543666	WASHER, AGITATOR
9	3363663	CAM, DRIVEN
10	3366877	DOG, AGITATOR CLUTCH (4)
11	3363661	BEARING, DRIVEN CAM
12	21366	NUT, SPANNER
13	8526016	BASKET & BALANCE RING
14	2219077	CLIP, PRESSURE SWITCH HOSE
15	387240	BALANCE RING
16	63849	TUB
17	389140	BLOCK, BASKET DRIVE
18	383727	GASKET, CENTERPOST
19	3347780	HOSE, PRESSURE SWITCH
20	W10093672	AGITATOR (COMPLETE)
21	3949550	WASHER
22	3350389	SPACER, THRUST
23	3354733	CAP, BARRIER
24	W10072840	SEAL, BARRIER CAP

7MMS0510XW0 MOTOR





7MMTS0510XW0 MOTOR

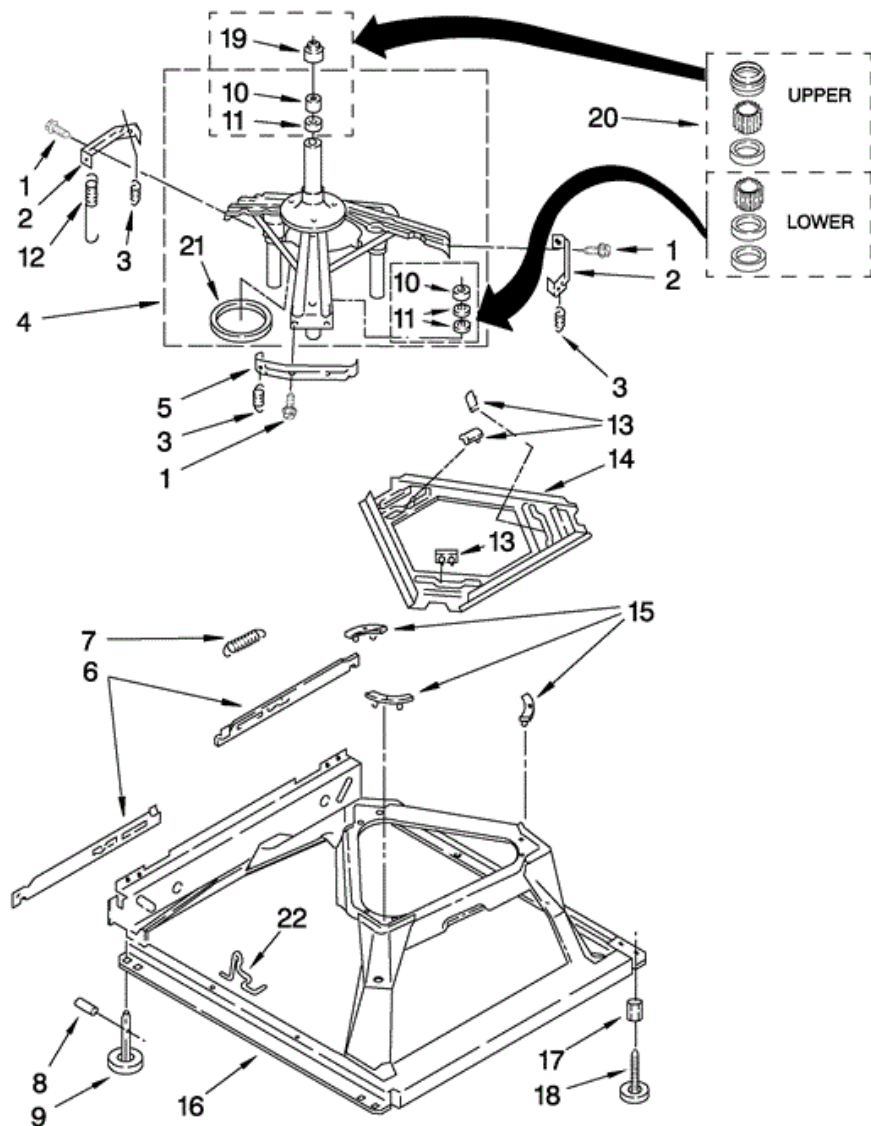
1	388952	BRAKE & DRIVE TUBE (COMPLETE)
2	63292	WASHER, SPIN TUBE THRUST
3	62697	RING, SPIN TUBE SUPPORT
4	63283	RING, RETAINER
5	3951311	CLUTCH (COMPLETE)
6	3951308	BAND & LINING, CLUTCH (INCLUDES ITEMS 7 & 8)
7	62646	CAP, CLUTCH SPRING (2)
8	3946792	SPRING, CLUTCH
9	W10251785	GEARCASE (COMPLETE)
10	3357334	SCREW, GEARCASE TO BASE (3)
11	62611	PLATE, MOTOR MOUNT TO GEARCASE
12	62691	GROMMET, MOTOR (4)
13	3978849	COUPLING, MOTOR & ISOLATION
14	8577374	SEAL
15	3355454	CLIP, ANTI- RATTLE
16	3400516	SCREW
17	W10086010	RETAINER, MOTOR (2)
18	3362089	SHIELD, TUB TO MOTOR
19	8528157	MOTOR, MAIN DRIVE
20	3952056	SWITCH, MAIN DRIVE MOTOR
21	8546127	RETAINER, PUMP (2)
22	3363394	PUMP (COMPLETE)
23	3387485	SCREW, 10-16 X 5/8
24	3946532	SHIELD, MOTOR
25	8578981	WASHER, THRUST

Distribuidor Autorizado

SurteRápido.com

Venta de Refacciones
Electrodomesticas

7MMS0510XW0 BASE

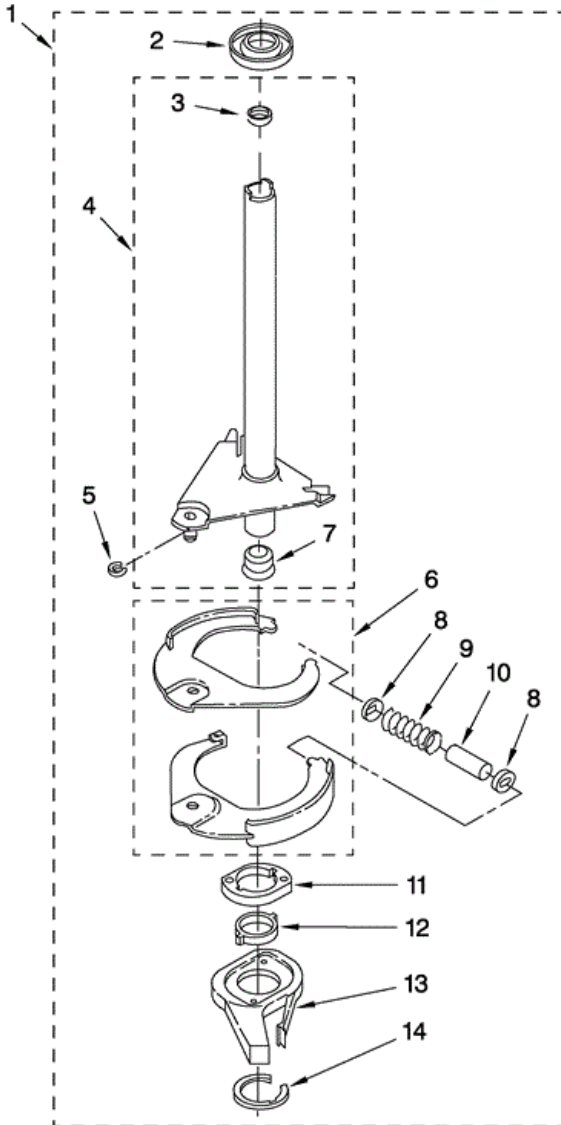




7MMS0510XW0 BASE

1	3400076	SCREW, BRACKET MOUNTING (10-32 X 5/8)
2	64067	BRACKET, SPRING OUTER (2)
3	63907	SPRING, SUSPENSION(3)
4	8575214	SUPPORT & BRAKE, TUB
5	64065	BRACKET, SPRING OUTER (L.F.)
6	63466	LINK, LEVELING MECHANISM (2)
7	62597	SPRING, LEVELING MECHANISM
8	62837	PIN, KNURLED
9	62596	FOOT, REAR (2)
10	8546455	BEARING, CENTERPOST (2)
11	357409	SEAL, CENTERPOST (3)
12	W10250667	SPRING, COUNTERWEIGHT
13	62568	PAD, PLATE
14	3946509	PLATE, SUSPENSION (INCLUDES ITEM 13)
15	3363660	PAD, BASE
16	3946512	BASE ASSEMBLY (INCLUDES 6, 7, 8, 9, 13, 14, 15 & 22)
17	3359452	NUT, LOCK (2) (3/8-16)
18	W10001130	FOOT, FRONT (2)
19	8577376	SEAL, CENTERPOST
20	285203	CENTERPOST BEARING KIT (INCLUDES 10, 11 & 19)
21	63134	RING, SOUND DEADENING
22	W10145155	RETAINER, SUSPENSION SPRING

7MMTS0510XW0 FLECHA HUECA

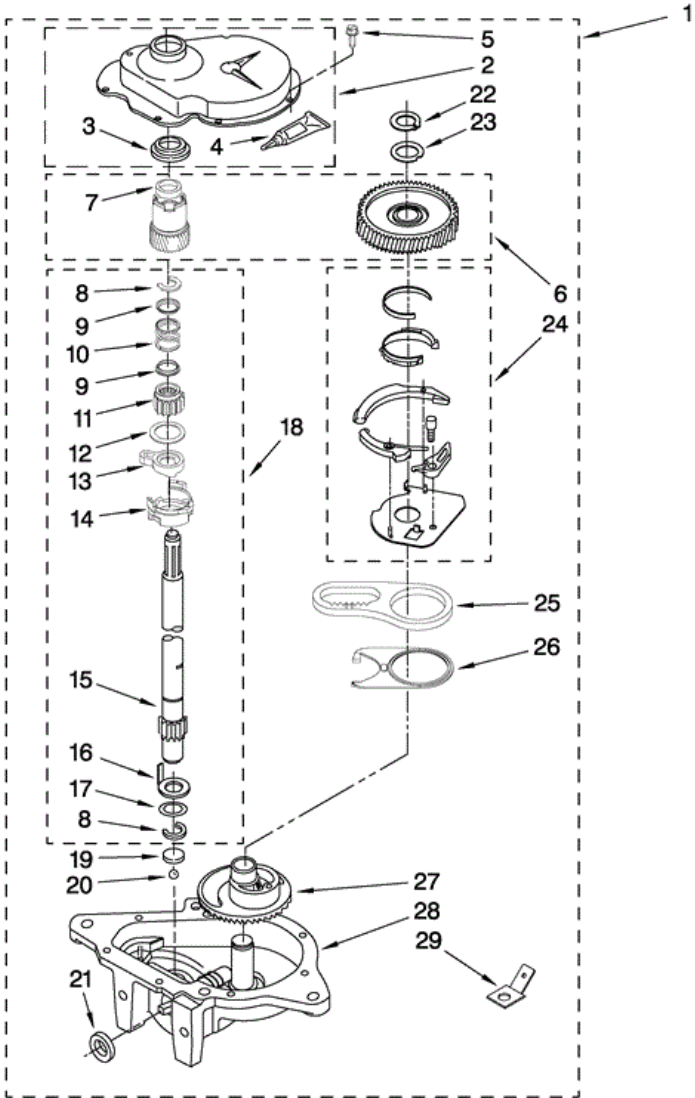




7MMTS0510XW0 FLECHA HUECA

1	388952	BRAKE AND DRIVE TUBE (COMPLETE)
2	62658	RING, THRUST
3	356427	SEAL, DRIVE TUBE
4	64027	TUBE, BASKET DRIVE (INCLUDES ILLUS. 3, 4, 5 & 9)
5	64035	RING, RETAINING
6	64232	SHOE, BRAKE (2)
7	62703	``T`` BEARING, SPIN TUBE
8	3353956	CAP, BRAKE SPRING (2)
9	387806	SPRING, BRAKE
10	3355360	SLEEVE, BRAKE SPRING
11	661516	CAM, BRAKE RELEASE
12	63022	SLEEVE, CAM
13	64194	DRIVER, BRAKE CAM
14	90368	RING, RETAINING
NI	285208	LUBRICANT

7MMS0510XW0 TRANSMISION





7MMTS0510XW0 TRANSMISION

1	W10251785	GEARCASE (COMPLETE)
2	285202	COVER, GEARCASE
3	3349985	SEAL, GEARCASE COVER
4	285195	SEALER, GASKET (.20 FL. OZ.) (6 ML)
5	3351614	SCREW, GEARCASE COVER, MOUNTING (8)
6	W10172898	SPIN PINION & SPIN GEAR KIT
7	N/P	SEAL, SPIN PINION
8	90369	RING, RETAINING (2)
9	62677	RETAINER, SPRING (2)
10	62676	SPRING, AGITATE
11	W10110245	GEAR, AGITATE (INCLUDES ITEMS 15 & 17)
12	62619	WASHER, AGITATE GEAR
13	62580	CAM FOLLOWER (INCLUDES ITEM 14)
14	3976349	CAM, AGITATE (INCLUDES ITEM 13)
15	389231	SHAFT, AGITATOR
16	62618	WASHER, CAM THRUST
17	388815	WASHER, INTERMEDIATE
18	389387	SHAFT, AGITATOR (COMPLETE)
19	16018	BEARING, THRUST
20	85529	BALL BEARING
21	W10111745	SEAL, THRUST PLUG
22	3946619	RING, RETAINING
23	285766	WASHER KIT, THRUST
24	388253	NEUTRAL ASSEMBLY
25	8546456	RACK, CONNECTING
26	62621	ACTUATOR, SHIFT
27	N/P	GEAR-MAIN DRIVE (NOT SERVICED SEPARATELY)
28	N/P	BOTTOM & PINION GEARCASE
29	3949116	TERMINAL, GROUNDING TAB