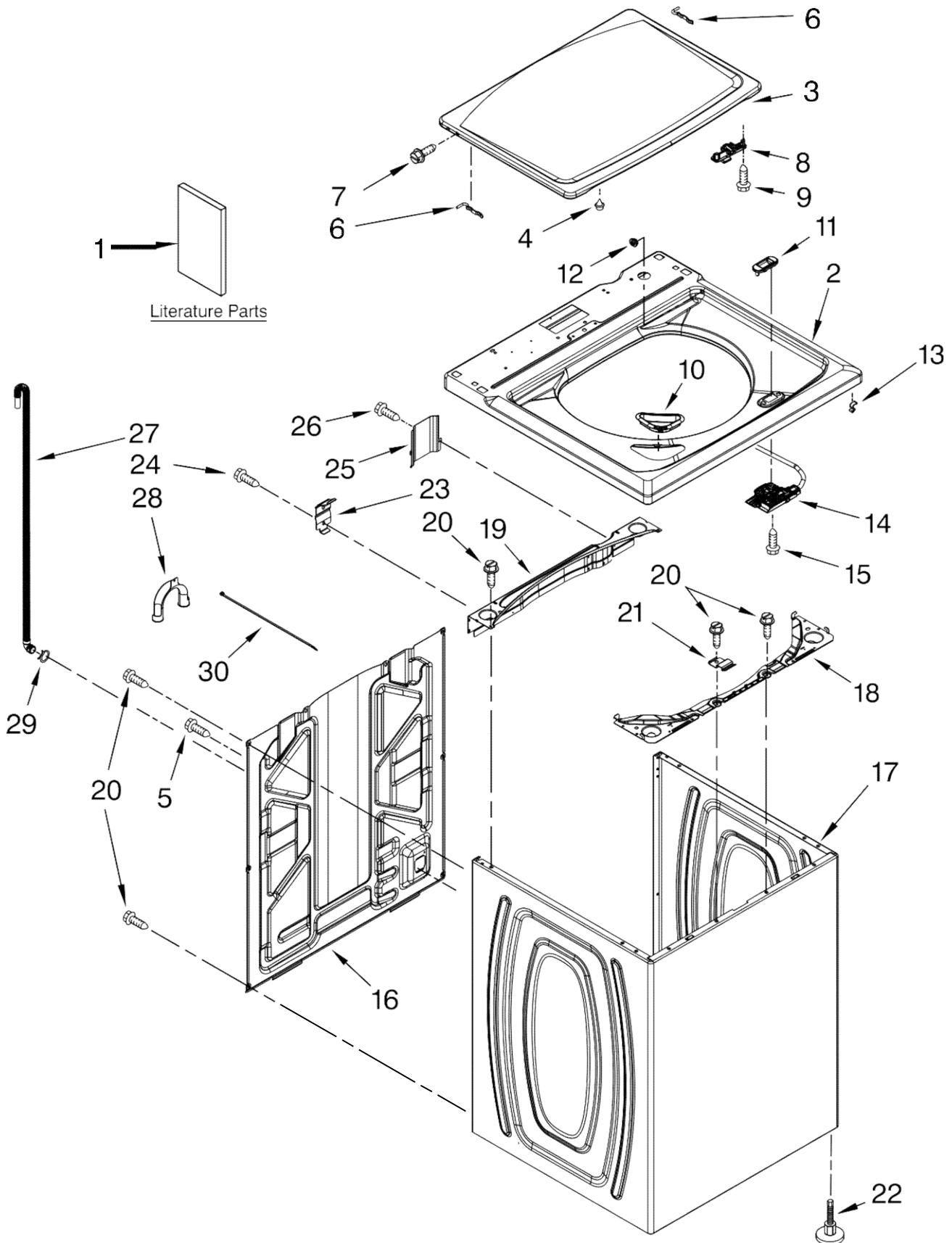


Lavadora Maytag 7MMVWC300YW0



FOR ORDERING INFORMATION REFER TO PARTS PRICE LIST



## Lavadora Maytag 7MMVWC300YW0

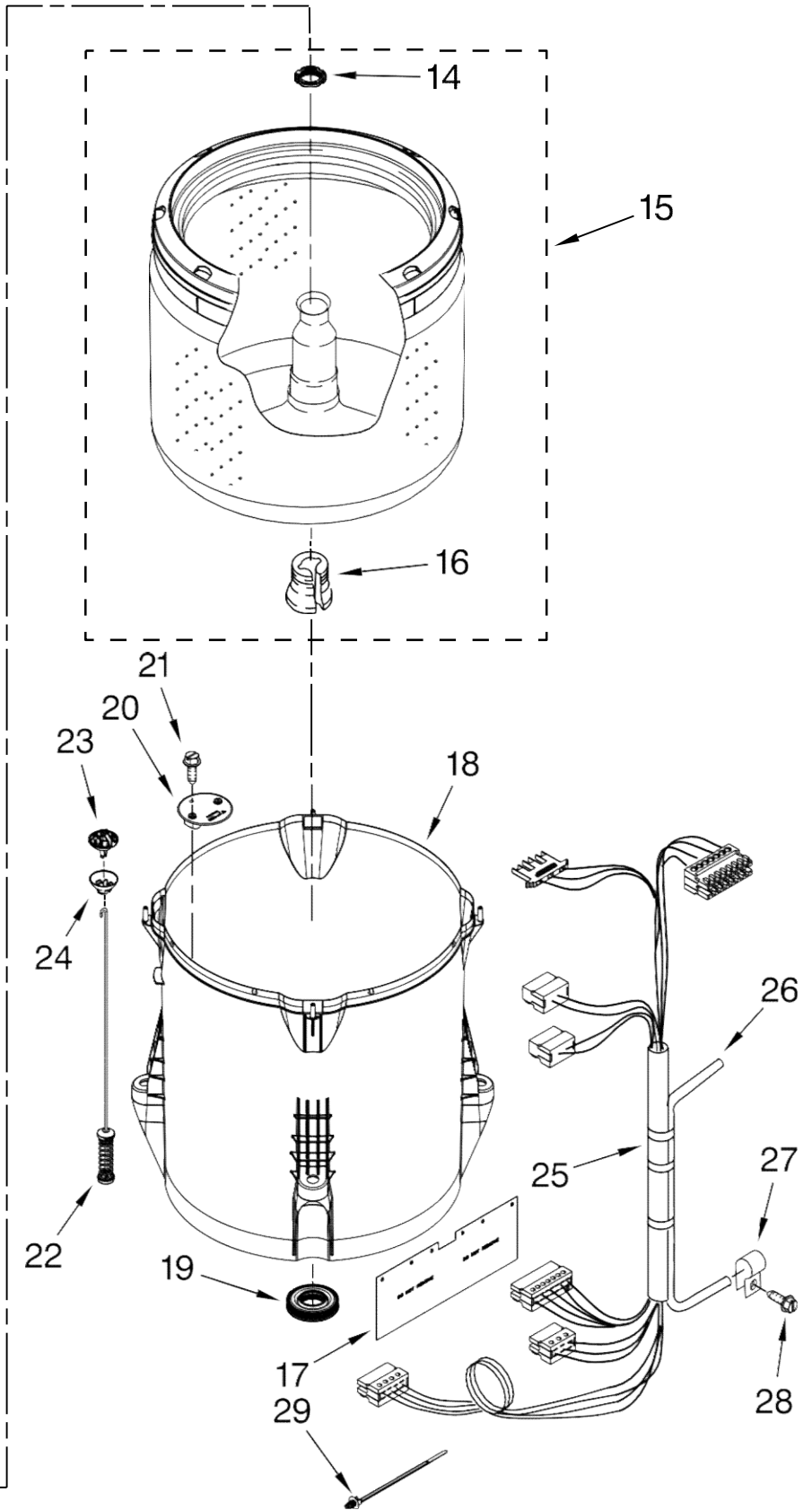
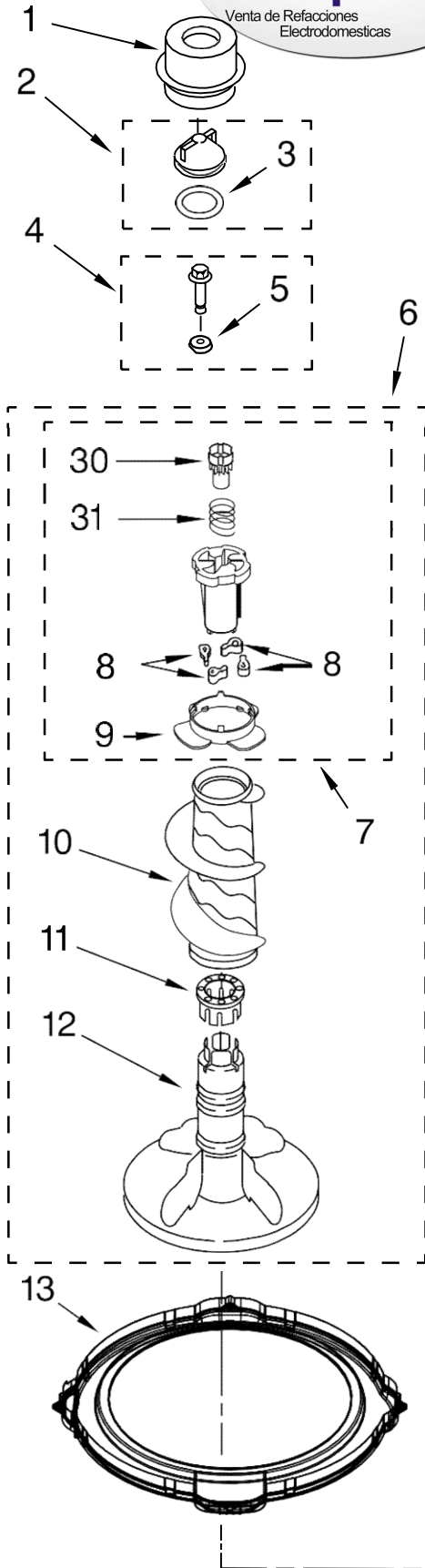
| Illus.<br>No. | Part<br>No. | DESCRIPTION  |
|---------------|-------------|--|
| 1             |             | Literature Parts   |
|               | W10329765   | Installation Instructions                                    |
|               | W10366280   | Use & Care Guide   |
|               | W10280489   | Tech Sheet   |
|               | W10366293   | Energy Guide   |
| 2             | W10251325   | Top  |
| 3             | W10338623   | Lid  |
|               |             | (Includes Item 4)  |
| 4             | 9724509     | Bumper, Lid  |
| 5             | 9740848     | Screw, 8-18 x 1/2  |
| 6             | 91770       | Hinge, Lid   |
| 7             | W10119872   | Screw, Lid Hinge   |
| 8             | W10240513   | Strike, Lid Lock   |
| 9             | W10273971   | Screw, 6-19 x 1/2  |
| 10            | W10192089   | Dispenser, Bleach  |
| 11            | W10240511   | Bezel, Lid Lock  |
| 12            | 21258       | Bearing, Lid Hinge   |
| 13            | 90016       | Clip, Lid  |
|               |             | Lock Harness   |
| 14            | W10238287   | Latch, Lid   |
|               |             | Lock Assembly  |
| 15            | 8281163     | Screw, 8-16 x 1/2  |
| 16            | W10250884   | Panel, Rear  |
| 17            | W10251994   | Cabinet  |
|               |             | (Includes Item 22)   |
| 18            | W10215098   | Brace, Cabinet   |
|               |             | Top - Front  |
| 19            | W10215099   | Brace, Cabinet   |
|               |             | Top - Rear   |
| 20            | 1157158     | Screw, 8-18 x 3/8  |
| 21            | W10248088   | Lock, Top  |
| 22            | W10335586   | Foot Assembly,<br>Leveling                                   |
| 23            | W10215102   | Hinge, Top   |
| 24            | W10142728   | Screw, 8-32 x 3/8  |
| 25            | W10215139   | Cover, Harness   |
| 26            | 3400076     | Screw, 10-23 x 5/8   |
| 27            | W10221546   | Hose, Outer<br>Drain Assembly<br>(Includes Items<br>28 & 29) |
| 28            | W10280024   | U-Bend,<br>Drain Hose  |
| 29            | 356138      | Clamp, Hose  |
| 30            | W10339879   | Cable Tie  |





Lavadora Maytag 7MMVWC300YW0

| Illus. No. | Part No.  | DESCRIPTION                                  |
|------------|-----------|--|
| 1          | W10355022 | Panel, Console                               |
| 2          | 8536939   | Clip, Knob                                   |
| 3          | W10251358 | Cap, End (L.H.)<br>(Includes Item 5)         |
| 4          | W10251355 | Cap, End (R.H.)<br>(Includes Item 5)         |
| 5          | 8312709   | Clip, Console                                |
| 6          | W10393448 | Control Unit<br>Assembly,<br>Machine & Motor |
| 7          | W10251310 | Panel, Console<br>Rear Cover                 |
| 8          | 1157158   | Screw, 8-18 x 3/8                            |
| 9          | W10268912 | Switch,<br>Water Level                       |
| 10         | 90767     | Screw, 8-18 x 3/8                            |
| 11         | W10276649 | Cord, Power                                  |
| 12         | 3400076   | Screw, Power<br>Cord Ground                  |
| 13         | W10327522 | Knob, Timer                                  |
| 14         | W10327523 | Knob, Control                                |
| 15         | W10285512 | Switch,<br>Rotary Encoder                    |
| 16         | W10291174 | Harness, Upper                               |
| 17         | W10357189 | Inlet Assembly,<br>Water                     |
| 18         | W10352256 | Valve,<br>Water Mixing                       |
| 19         | W10334611 | Vacuum Break                                 |
| 20         | W10238347 | Hose,<br>Vacuum Break                        |
| 21         | W10117298 | Clamp, Hose                                  |
| 22         | W10337345 | Harness, Valve                               |
| 23         | 8281163   | Screw, 8-16 x 1/2                            |
| 24         | 3400818   | Screw. 8-18 x .20                            |
| 25         | W10348582 | Clamp  |
| 26         | W10199708 | Badge  |

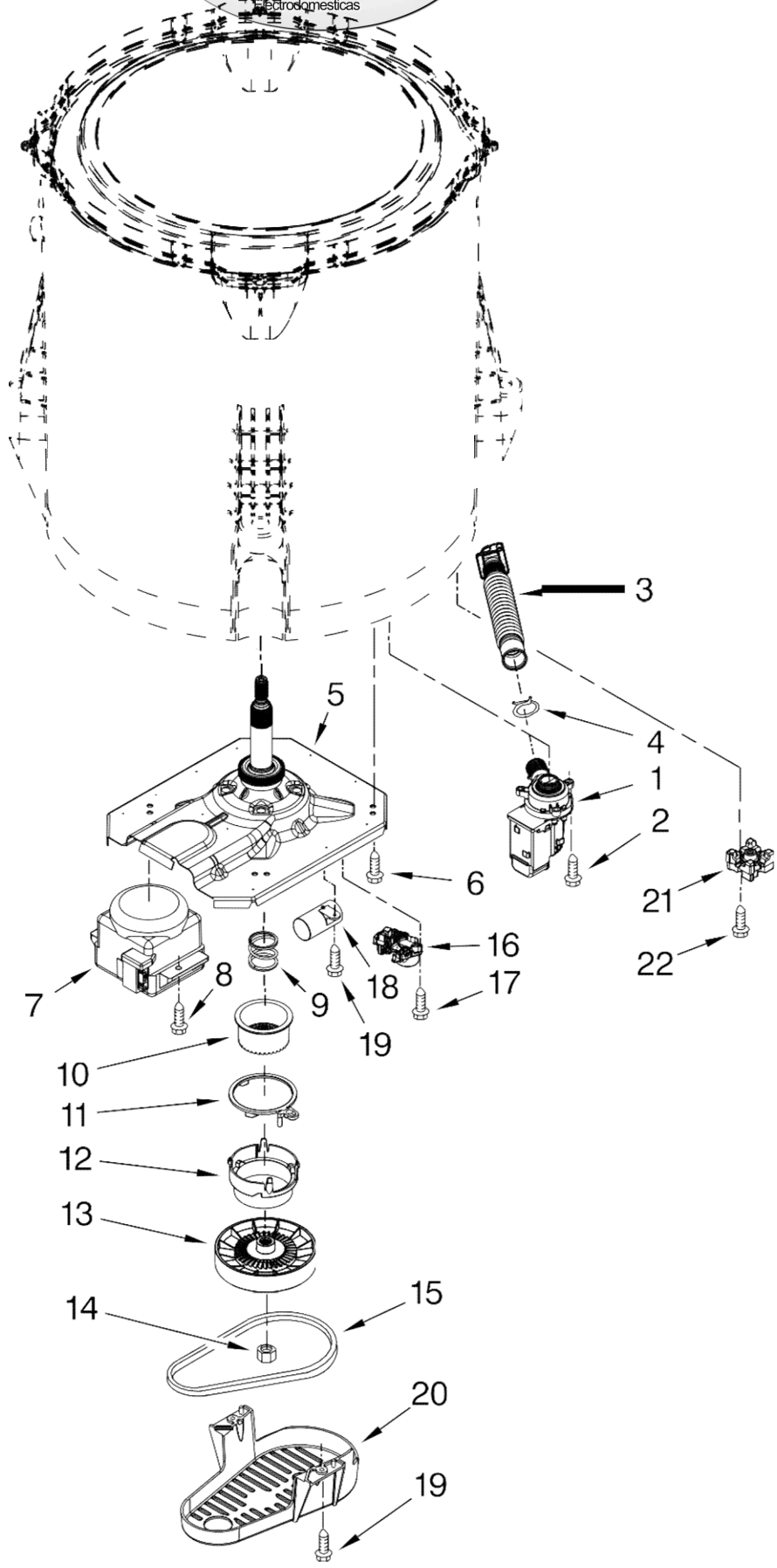


FOR ORDERING INFORMATION REFER TO PARTS PRICE LIST



## Lavadora Maytag 7MMVWC300YW0

| Illus.<br>No. | Part<br>No. | DESCRIPTION  |
|---------------|-------------|--|
| 1             | 8543478     | Dispenser,<br>Fabric Softener  |
| 2             | 3354733     | Cap, Barrier   |
| 3             | W10072840   | Seal, Inner Cap  |
| 4             | W10003790   | Screw & Washer<br>Assembly   |
| 5             | 3949550     | Washer   |
| 6             | 8578210     | Agitator,<br>Complete Assembly   |
| 7             | 8537434     | Cam, Driven  |
| 8             | 3366877     | Dog,<br>Agitator Clutch  |
| 9             | 8055141     | Bearing, Cam   |
| 10            | 8054468     | Clothes Mover  |
| 11            | 8055228     | Spacer, Thrust   |
| 12            | 8578209     | Agitator   |
| 13            | W10215107   | Ring, Tub  |
| 14            | 21366       | Nut, Spanner   |
| 15            | W10238308   | Basket Assembly  |
| 16            | 389140      | Block,<br>Basket Drive   |
| 17            | W10339098   | Shield, Splash   |
| 18            | W10238320   | Tub<br>(Includes Item 19)  |
| 19            | W10006371   | Seal, Tub  |
| 20            | W10215093   | Filter, Drain Pump   |
| 21            | 8533928     | Screw, 8-18 x 3/4  |
| 22            | W10257087   | Damper Assembly,<br>Tub Suspension<br>(Set Of 4-Includes<br>Items 23 & 24) |
| 23            | W10215136   | Ball, Suspension<br>(Set Of 4 -<br>Includes Item 24)                       |
| 24            | W10256551   | Bushing,<br>Suspension<br>(Set Of 4 -<br>Includes Item 23)                 |
| 25            | W10297444   | Harness, Lower<br>(Includes Items<br>26 & 29)                              |
| 26            | W10297442   | Hose, Pressure<br>Switch   |
| 27            | W10005430   | Clamp, Pressure<br>Hose Retainer   |
| 28            | 8533943     | Screw, 10-16 x 3/4   |
| 29            | W10298887   | Cable Tie  |
| 30            | 8533540     | Retainer, Spring   |
| 31            | 8055140     | Spring-Compression   |



**Illus. Part**  
**No. No. DESCRIPTION**

- 1 W10276397 Pump Assembly, Drain
- 2 W10004910 Screw, 12-16 x 1.25
- 3 W10215091 Hose, Inner Drain Assembly
- 4 8317496 Clamp, Hose
- 5 W10006402 Gearcase Assembly
- 6 W10249633 Screw, 7.2-1.6 x 30
- 7 W10006416 Motor, Drive
- 8 W10094780 Screw, M8-1.25 x 20
- 9 W10326374 Spring, Splutch (Includes Items 10, 11, 12 & 13)
- 10 W10006352 Slider, Splutch (Includes Items 9, 11, 12 & 13)
- 11 W10006353 Cam Ring, Splutch (Includes Items 9, 10, 12 & 13)
- 12 W10006354 Cam, Splutch (Includes Items 9, 10, 11 & 13)
- 13 W10006356 Pulley
- 14 W10163336 Nut, Pulley
- 15 W10006384 Belt, Drive
- 16 W10006355 Actuator, Shift
- 17 9741052 Screw, 6-32 x 1.00
- 18 W10278556 Capacitor, Motor Run
- 19 357640 Screw, 10-16 x 5/8
- 20 W10006383 Shield, Pulley Cover
- 21 W10238318 Counterweight
- 22 W10238319 Screw, 8-18 x 1.00

FOR ORDERING INFORMATION REFER TO PARTS PRICE LIST

# OPTIONAL PARTS (NOT INCLUDED)

For Model: 7MMVWC300YW0

(White)

| Illus. No.  | Part No. | DESCRIPTION   | Illus. No.                       | Part No. | DESCRIPTION   | Illus. No.                    | Part No.  | DESCRIPTION  |
|---|----------|---------------|----------------------------------|----------|---|-------------------------------|-----------|--|
| <b><u>PAINT, TOUCH-UP (1/2oz.)</u></b>              |          |               | <b><u>WATER SYSTEM PARTS</u></b> |          |   | <b><u>ACCESSORY PARTS</u></b> |           |  |
|   | 72017    | White         |                                  | 285834   | Siphon Break Kit                                    |                               | 8212546RP | Inlet Hoses, 4 Ft.<br>(Two Black Hoses<br>W/Straight Ends &<br>4 Rubber washers)                                 |
| <b><u>PAINT, PRESSURIZED SPRAY<br/>(12 oz.)</u></b> |          |               |                                  | 367031   | Drain Protector                                     |                               | 8212641RP | Inlet Hoses, 5 Ft.<br>(Two Black Hoses<br>W/Straight Ends &<br>4 Rubber Washers)                                 |
|   | 350938   | Primer, Gray  |                                  | 3363920  | Adapter, Standpipe<br>2" Diameter to<br>1" Diameter |                               | 8212545RP | Inlet Hoses, 5 Ft.<br>(One Red Hose<br>& One Blue Hose<br>W/Straight Ends &<br>4 Rubber Washers)                 |
|   | 350930   | White         | <b><u>SEALER</u></b>             |          |   |                               | 8212487RP | Inlet Hoses, 5 Ft.<br>(Two Braided Hoses<br>W/Straight Ends &<br>4 Rubber Washers)                               |
| <b><u>PAINT, BULK (1 qt.)</u></b>                   |          |               |                                  | 285195   | Sealer, Gasket<br>(.20 Fl. Oz.) (6 ml)              |                               | 8212637RP | Inlet Hoses, 6 Ft.<br>(Two Black Hoses<br>W/ One Straight<br>End & One<br>90 Degree End &<br>4 Rubber Washers)   |
|   | 799344   | White (Uncut) | <b><u>COUPLING</u></b>           |          |   |                               | 8212638RP | Inlet Hoses, 6 Ft.<br>(Two Braided Hoses<br>W/ One Straight<br>End & One<br>90 Degree End &<br>4 Rubber Washers) |
|   |          |               |                                  | 384496   | Coupling, Hose                                      |                               | 285448A   | Hose Washers<br>(Package of 4)   |
|   |          |               |                                  |          |   |                               | 285452A   | Hose Screen<br>(Package of 2)  |